

5400 / 6400

**WIRING
GUIDE**

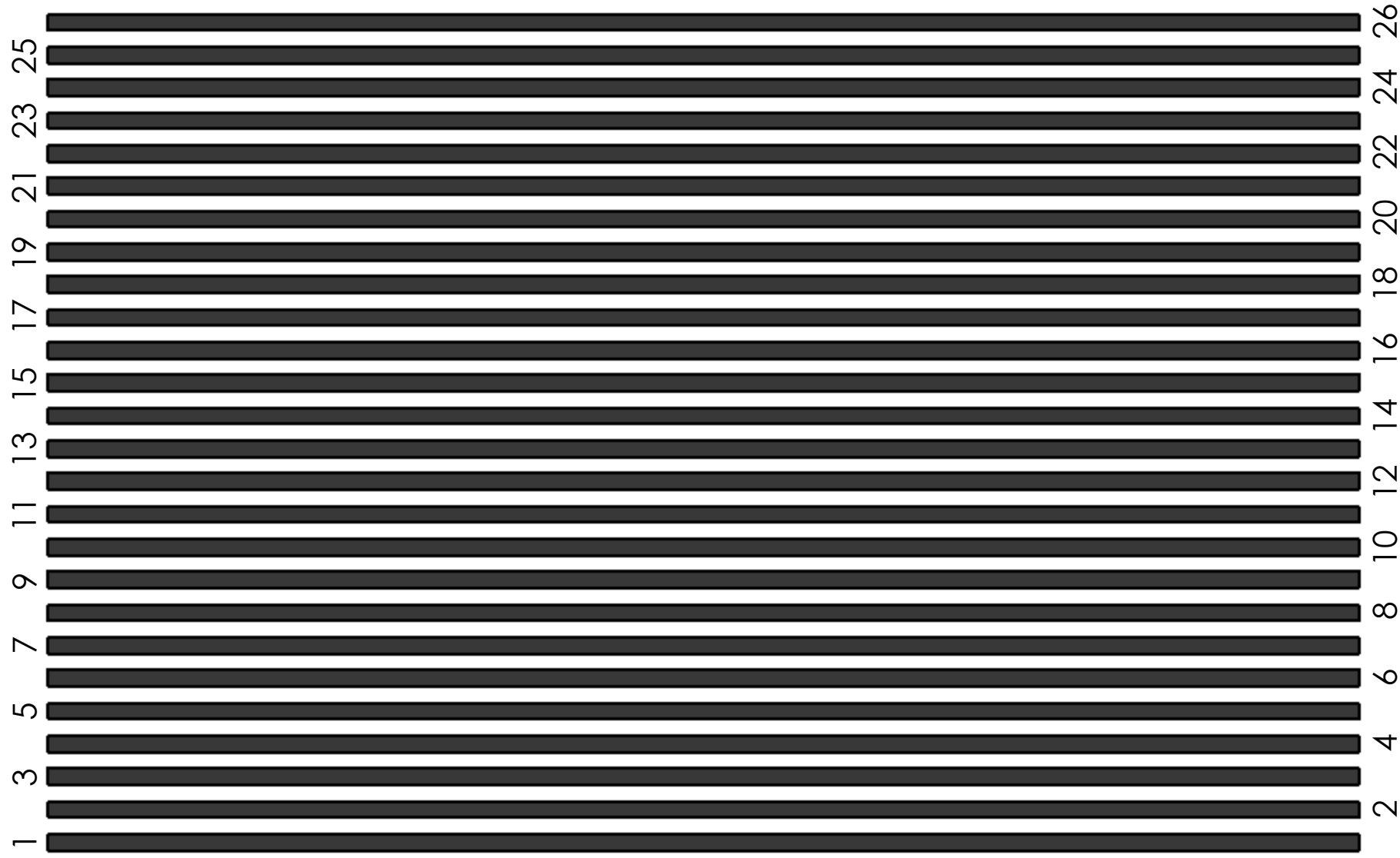
CANOPY

1

2

3

4

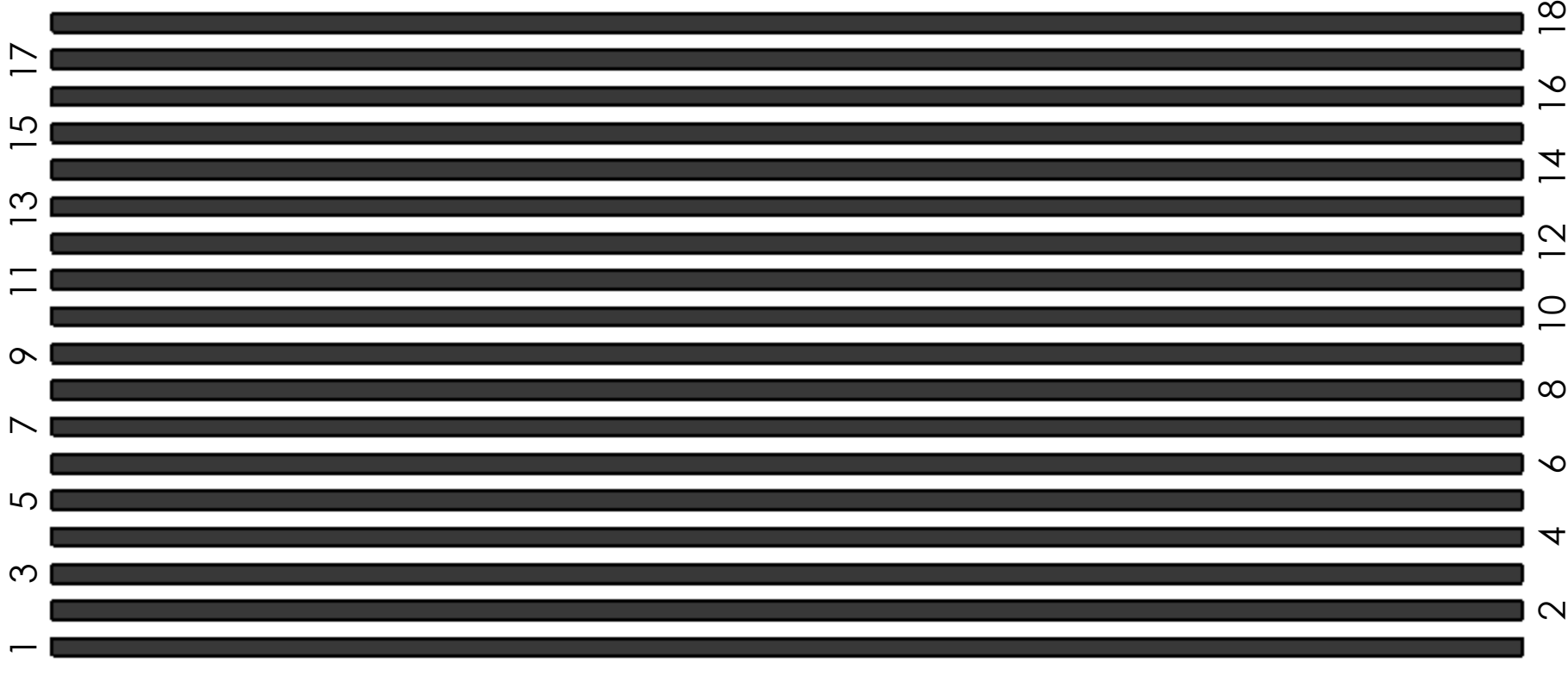


- 5400 CANOPY LAMPS (1-24) FACIALS (1-3)
- 6400 CANOPY LAMPS (1-26) FACIALS (1-4)
- 5400 BENCH LAMPS (1-16)
- 6400 BENCH LAMPS (1-18) SHOULDER (1-2)

BENCH

1

2



HEARTLAND
America's Best Tan™

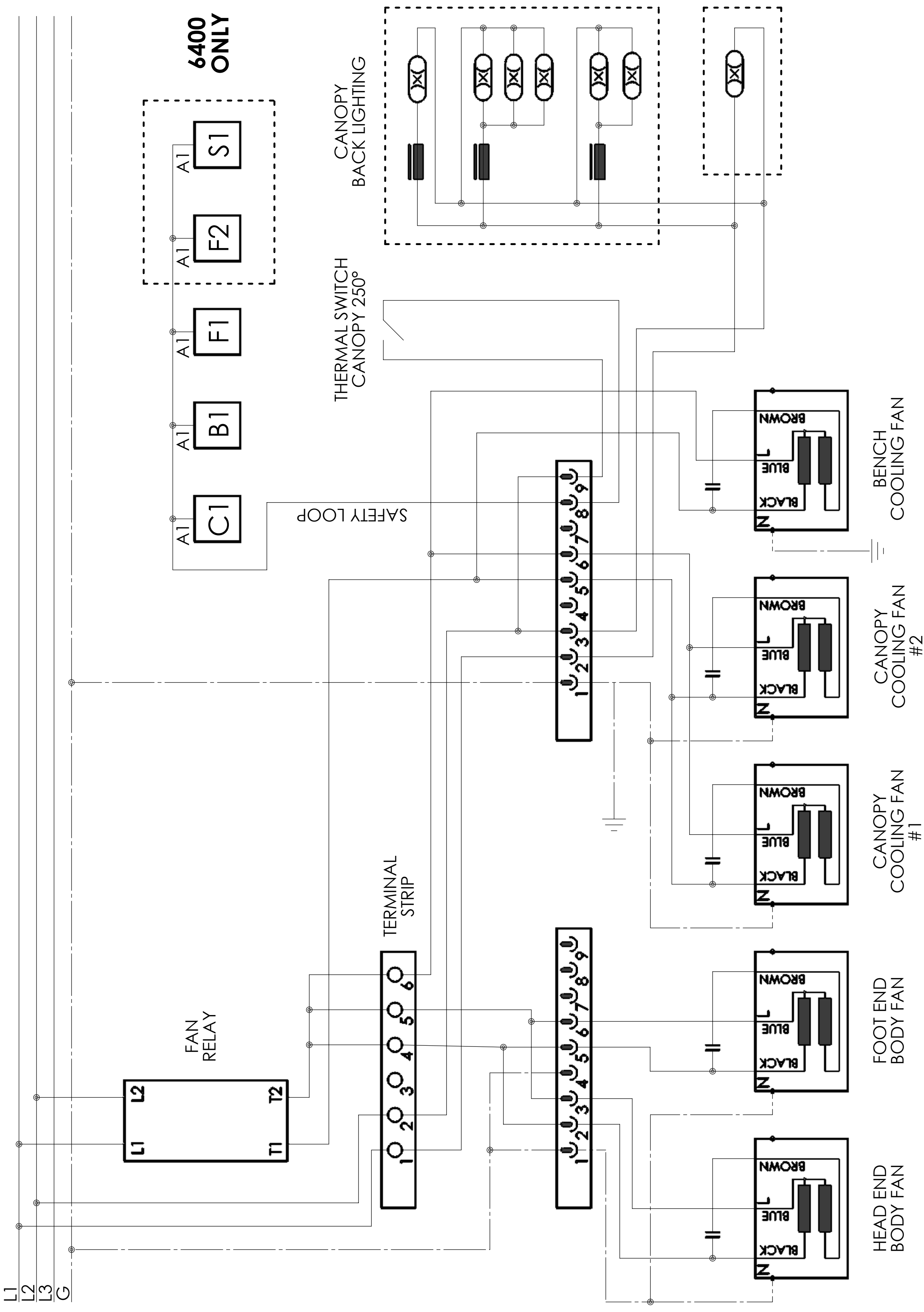
UNLESS OTHERWISE SPECIFIED:
 DIMENSIONS ARE IN INCHES
 TOLERANCES:
 FRACTIONS: ± 1/16"
 DECIMALS: ± .005
 ANGULAR BEND: ± .5°
 TWO PLACE DECIMAL: ± .030
 THREE PLACE DECIMAL: ± .015
 HOLES: +.010 - .005
 HARDWARE HOLES: +.003 - .000

TITLE: 5400 6400 LAMP LAYOUT

SIZE DWG. NO. REV
 C

MATERIAL: _____
 FINISH: _____
 DRAWN BY: _____
 SCALE: 1:4.5 WEIGHT: _____ SHEET 1 OF 1

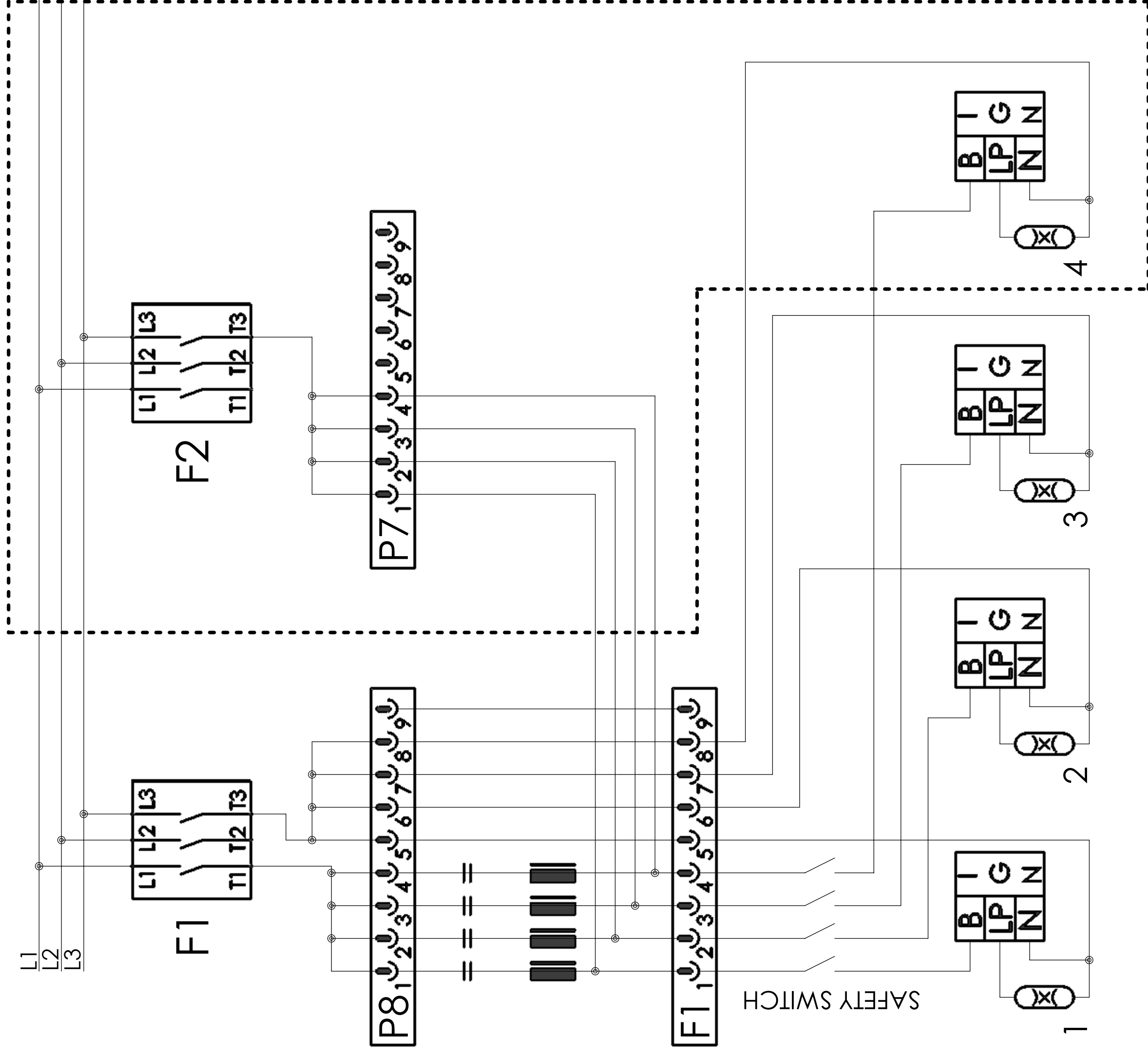
PROPRIETARY AND CONFIDENTIAL
 THE INFORMATION CONTAINED IN THIS DRAWING IS THE PROPERTY OF HEARTLAND TANNING, INC. ANY REPRODUCTION IN PART OR AS A WHOLE WITHOUT THE WRITTEN PERMISSION OF HEARTLAND TANNING, INC. IS PROHIBITED.



UNLESS OTHERWISE SPECIFIED:
 DIMENSIONS ARE IN INCHES
 TOLERANCES:
 FRACTIONS: ± 1/16"
 DECIMALS: ± .005
 ANGULAR BEND: ± .5°
 TWO PLACE DECIMAL: ± .030
 THREE PLACE DECIMAL: ± .015
 HOLES: +.010 - .005
 HARDWARE HOLES: +.003 - .000

PROPRIETARY AND CONFIDENTIAL
 THE INFORMATION CONTAINED IN THIS DRAWING IS THE PROPERTY OF HEARTLAND TANNING, INC. ANY REPRODUCTION IN PART OR AS A WHOLE WITHOUT THE WRITTEN PERMISSION OF HEARTLAND TANNING, INC. IS PROHIBITED.

HEARTLAND
America's Best Fan
 TITLE: 5400 6400 FAN AND BL WD
 SIZE: C
 DWG. NO.:
 REV:
 DRAWN BY:
 SCALE: 1:3 WEIGHT:
 SHEET 1 OF 1



6400 ONLY

5400 FACIAL LAMPS (1-3)
6400 FACIAL LAMPS (1-4)

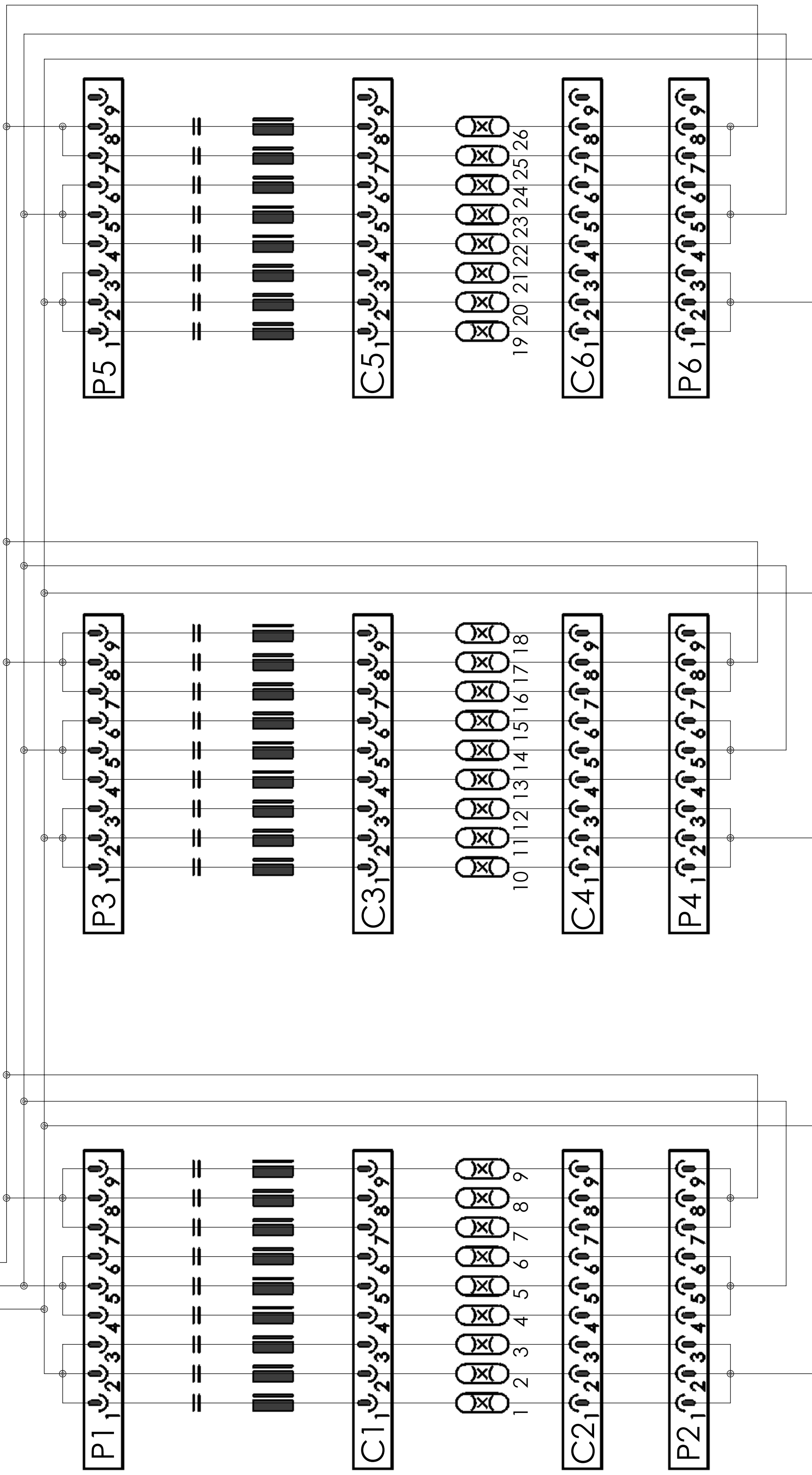
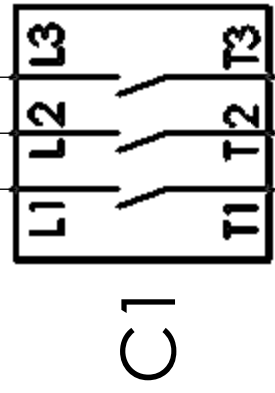
HEARTLAND
America's Best Tan™

UNLESS OTHERWISE SPECIFIED:
 DIMENSIONS ARE IN INCHES
 TOLERANCES: FRACTION: ± 1/16"
 DECIMAL: ± .030
 ANGULAR BEND: ± .5°
 TITLE: 5400 6400 FACIAL WD
 TWO PLACE DECIMAL ± .030
 THREE PLACE DECIMAL ± .015
 HOLES: +.010-.005
 HARDWARE HOLES: +.003-.000

PROPRIETARY AND CONFIDENTIAL
 THE INFORMATION CONTAINED IN THIS DRAWING IS THE PROPERTY OF HEARTLAND TANNING, INC. ANY REPRODUCTION IN PART OR AS A WHOLE WITHOUT THE WRITTEN PERMISSION OF HEARTLAND TANNING, INC. IS PROHIBITED.

MATERIAL: _____
 FINISH: _____
 DRAWN BY: _____
 SCALE: 1:3 WEIGHT: _____
 SIZE: _____
 DWG. NO. **C**
 REV _____
 SHEET 1 OF 1

L1
L2
L3



**5400 CANOPY LAMPS (1-24)
6400 CANOPY LAMPS (1-26)**



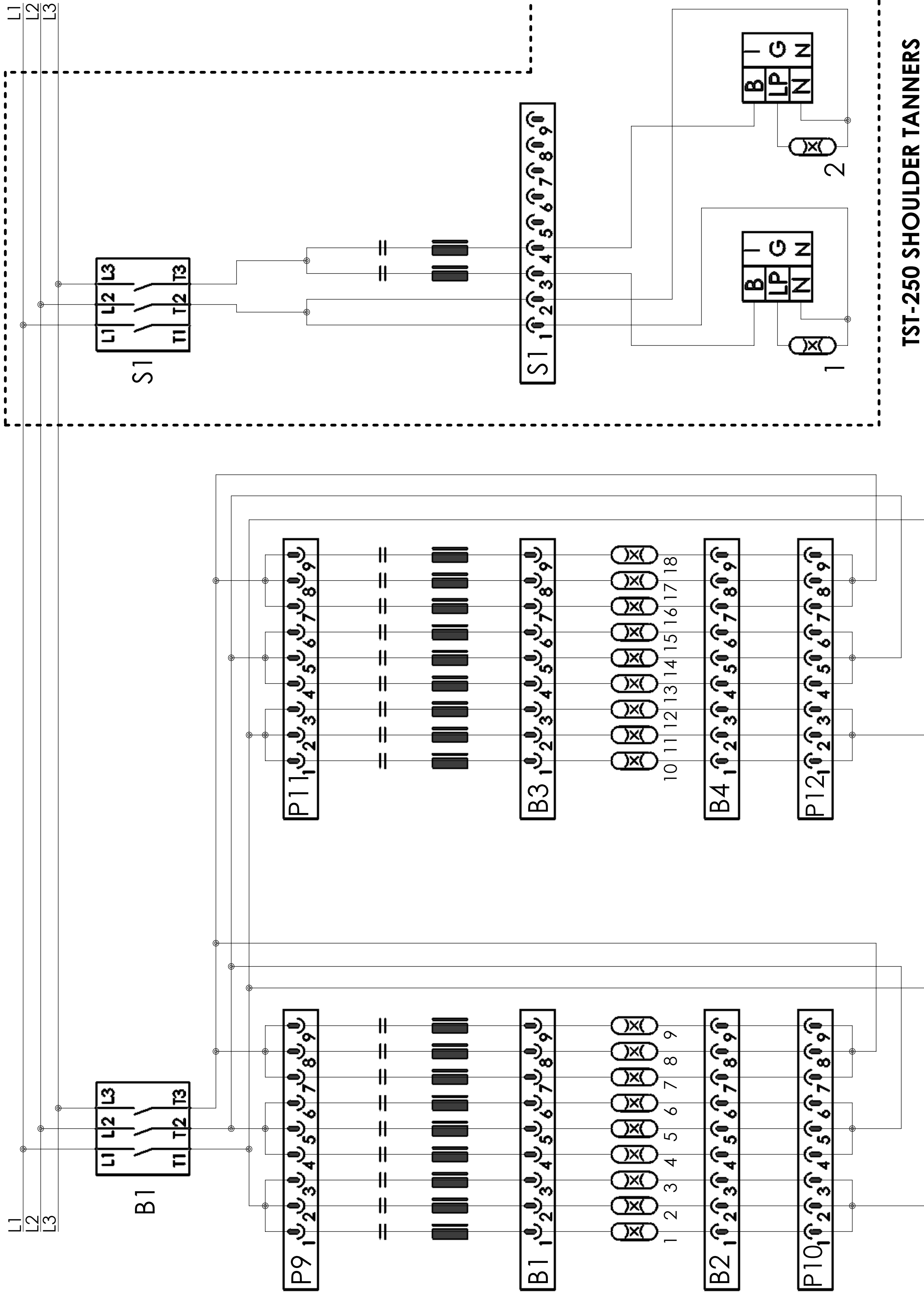
UNLESS OTHERWISE SPECIFIED:
DIMENSIONS ARE IN INCHES
TOLERANCES:
FRACTION: ± 1/16"
ANGULAR BEND: ± 5°
TWO PLACE DECIMAL ± .030
THREE PLACE DECIMAL ± .015
HOLES: +.010-.005
HARDWARE HOLES: +.003-.000

PROPRIETARY AND CONFIDENTIAL
THE INFORMATION CONTAINED IN THIS DRAWING IS THE PROPERTY OF HEARTLAND TANNING, INC. ANY REPRODUCTION IN PART OR AS A WHOLE WITHOUT THE WRITTEN PERMISSION OF HEARTLAND TANNING, INC. IS PROHIBITED.

MATERIAL
FINISH
DRAWN BY:
SCALE: 1:3 WEIGHT:
SIZE DWG. NO. C

TITLE:
5400 6400 CANOPY LAMP WD
REV

1 2 3 4 5 6 7 8



**TST-250 SHOULDER TANNERS
6400 ONLY**

**5400 BENCH LAMPS (1-16)
6400 BENCH LAMPS (1-18) SHOULDER LAMPS (1-2)**

UNLESS OTHERWISE SPECIFIED:
DIMENSIONS ARE IN INCHES
TOLERANCES:
FRACTIONS: 1/16"
ANGULAR BEND: ± 5°
TWO PLACE DECIMAL: ± .030
THREE PLACE DECIMAL: ± .015
HOLES: +.010-.005
HARDWARE HOLES: +.003-.000

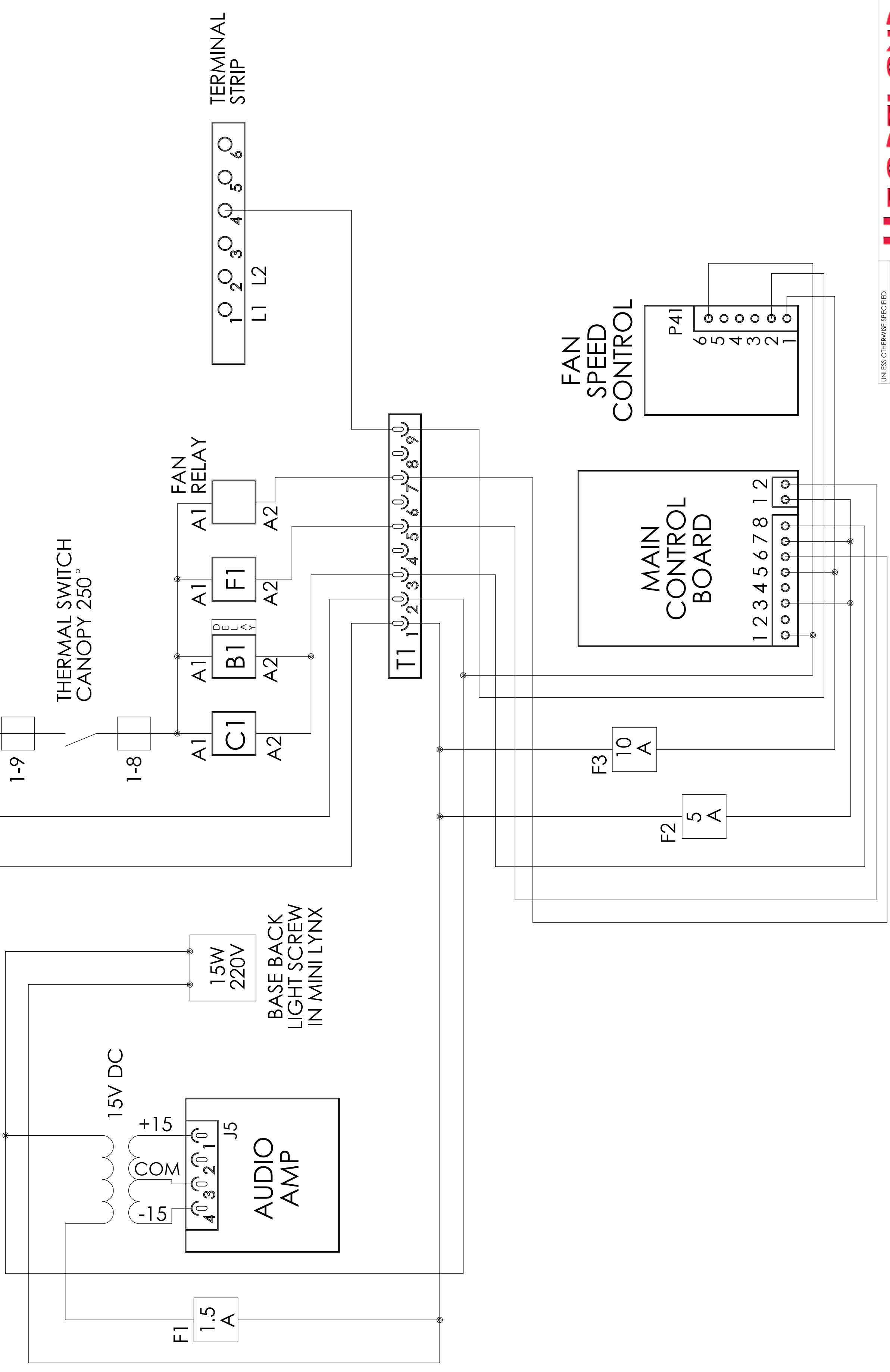
HEARTLAND
America's Best Tan™

TITLE: 5400 6400 BENCH LAMP WD
SIZE: DWG. NO. **C**
REV

PROPRIETARY AND CONFIDENTIAL
THE INFORMATION CONTAINED IN THIS DRAWING IS THE PROPERTY OF HEARTLAND TANNING, INC. ANY REPRODUCTION IN PART OR AS A WHOLE WITHOUT THE WRITTEN PERMISSION OF HEARTLAND TANNING, INC. IS PROHIBITED.

DRAWN BY: _____
SCALE: 1:3 WEIGHT: _____
SHEET 1 OF 1

L1
L2
L3
G



HEARTLAND
America's Best Tan™

UNLESS OTHERWISE SPECIFIED:
DIMENSIONS ARE IN INCHES
TOLERANCES: FRACTIONS: ± 1/16"
DECIMALS: ± .005
ANGULAR BEND: ± .5°
TWO PLACE DECIMAL: ± .030
THREE PLACE DECIMAL: ± .015
HOLES: +.010 - .005
HARDWARE HOLES: +.003 - .000

MATERIAL: _____
FINISH: _____

PROPRIETARY AND CONFIDENTIAL
THE INFORMATION CONTAINED IN THIS DRAWING IS THE PROPERTY OF HEARTLAND TANNING, INC. ANY REPRODUCTION IN PART OR AS A WHOLE WITHOUT THE WRITTEN PERMISSION OF HEARTLAND TANNING, INC. IS PROHIBITED.

REV: _____
C

SCALE: 1:3.2 WEIGHT: _____

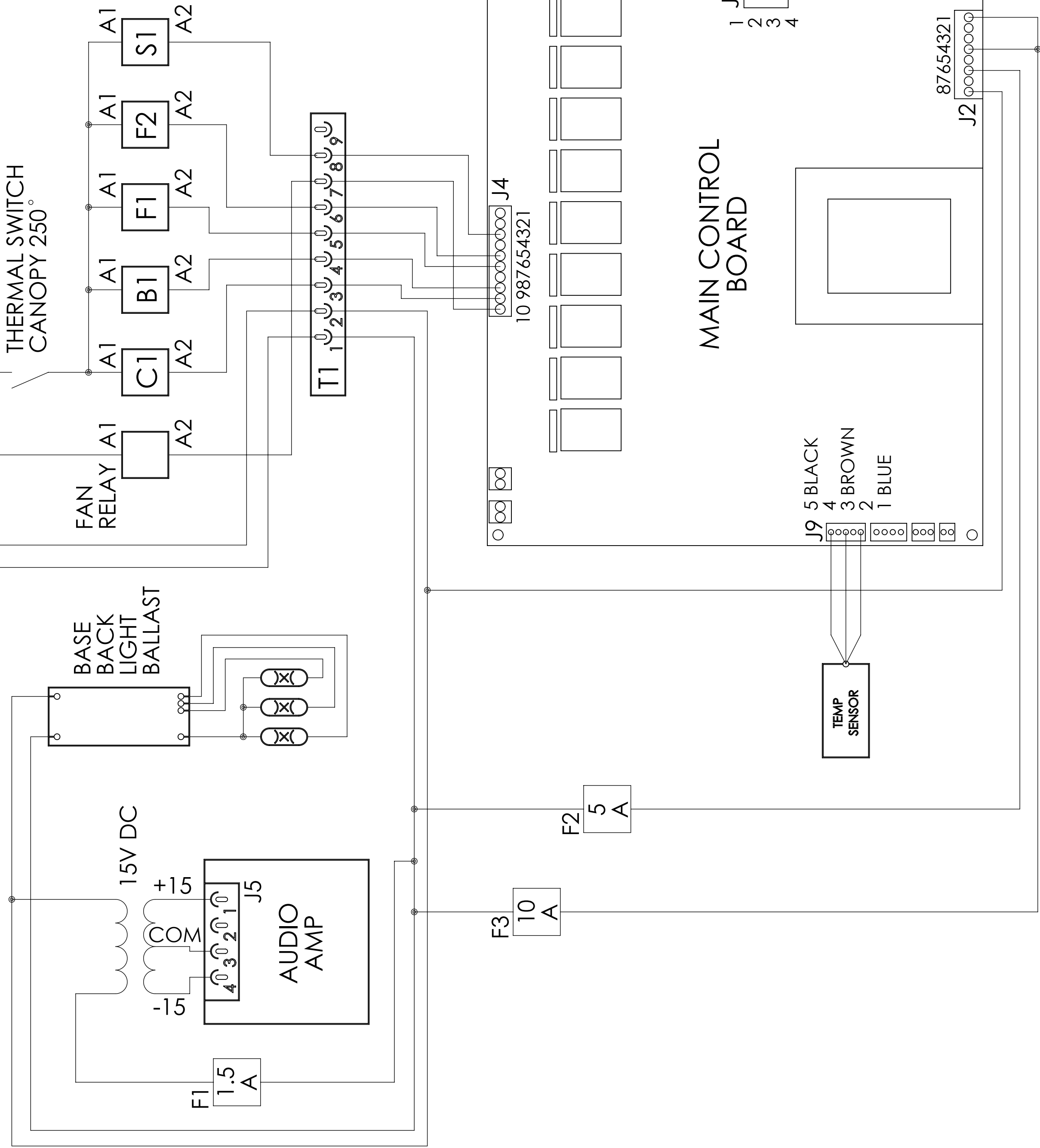
DRAWN BY: _____

TITLE: 5400 TIMER WD

SIZE: _____

SHEET 1 OF 1

L1
L2
L3
G



UNLESS OTHERWISE SPECIFIED:
 DIMENSIONS ARE IN INCHES
 TOLERANCES:
 FRACTIONS: ± 1/16"
 ANGULAR: BEND ± .5°
 TWO PLACE DECIMAL ± .030
 THREE PLACE DECIMAL ± .015
 HOLES: +.010 - .005
 HARDWARE HOLES: +.003 - .000

PROPRIETARY AND CONFIDENTIAL
 THE INFORMATION CONTAINED IN THIS DRAWING IS THE SOLE PROPERTY OF HEARTLAND TANNING, INC. ANY REPRODUCTION IN PART OR AS A WHOLE WITHOUT THE WRITTEN PERMISSION OF HEARTLAND TANNING, INC. IS PROHIBITED.



TITLE: 6400 TIMER WD
 SIZE: C
 DWG. NO.:
 REV:

SCALE: 1:3
 WEIGHT:
 DRAWN BY:
 SHEET 1 OF 1