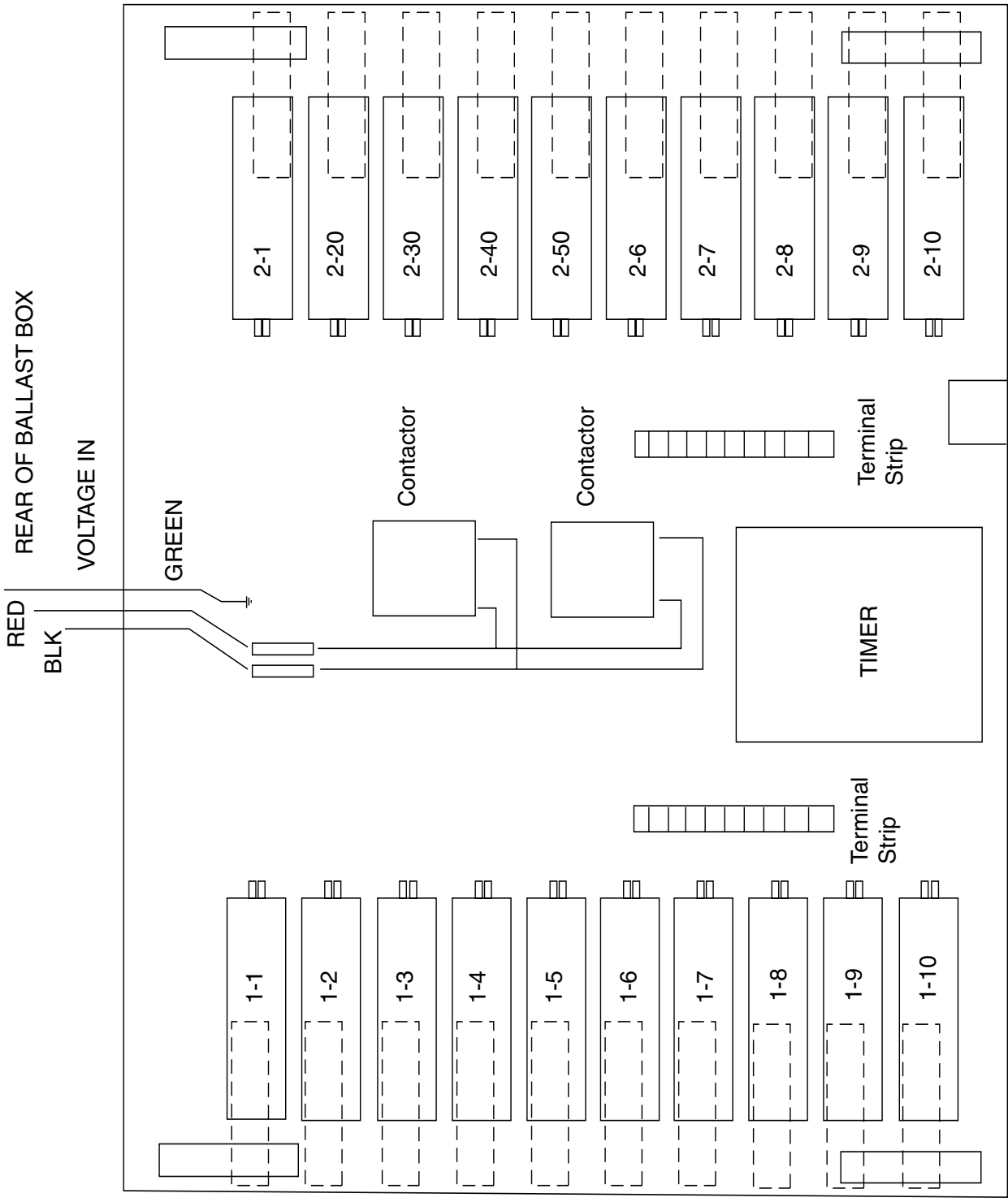


154 & 144 SERIES WIRING DIAGRAM BALLAST BOX



Body C: MECHANICAL POSITIONING
 144, 144/3, 154 & 154/3 Ballast Tray
 100 Watt Tray (rightside tray)

HOUR METER

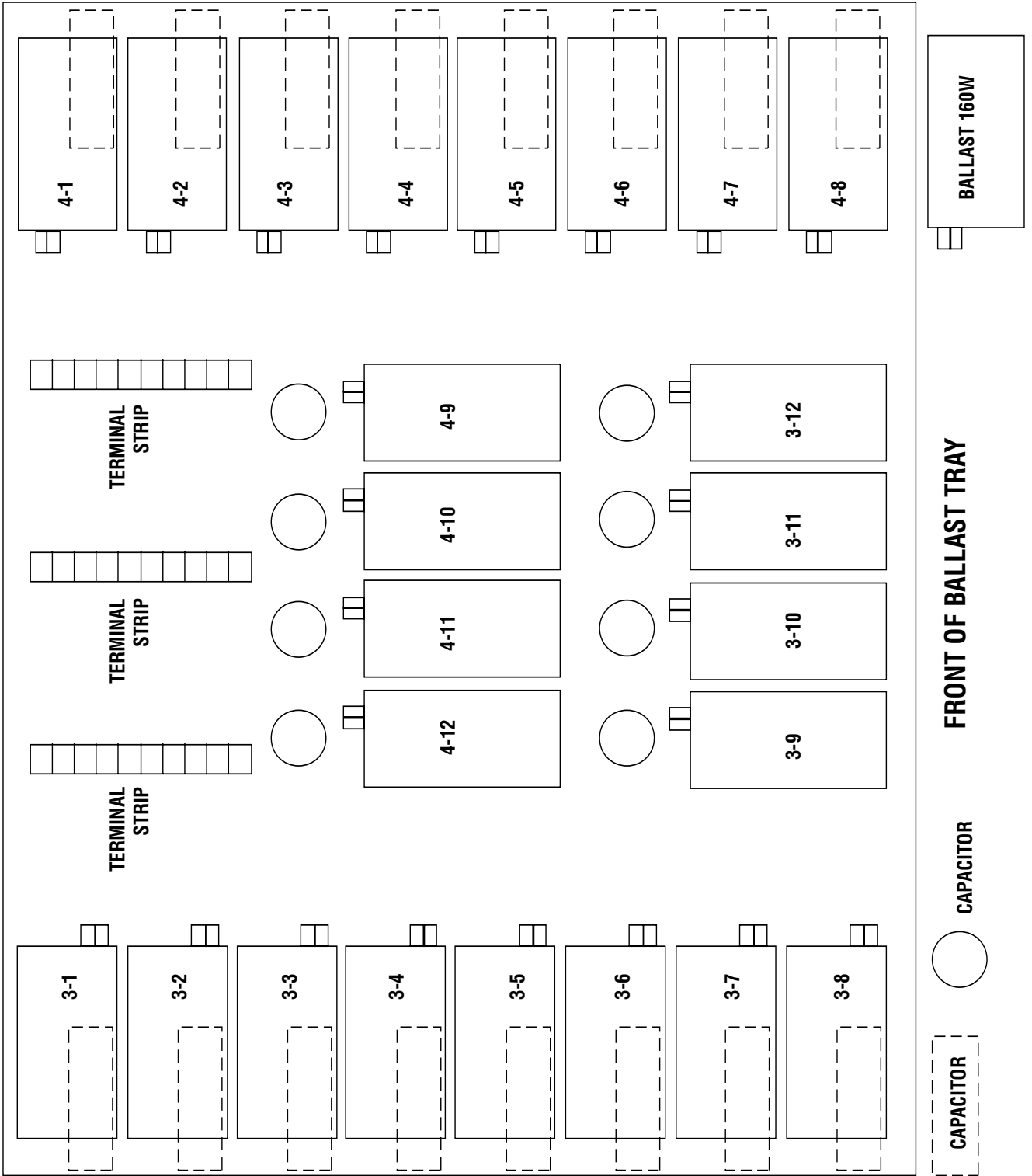
[] = CAPACITOR

[] = BALLAST

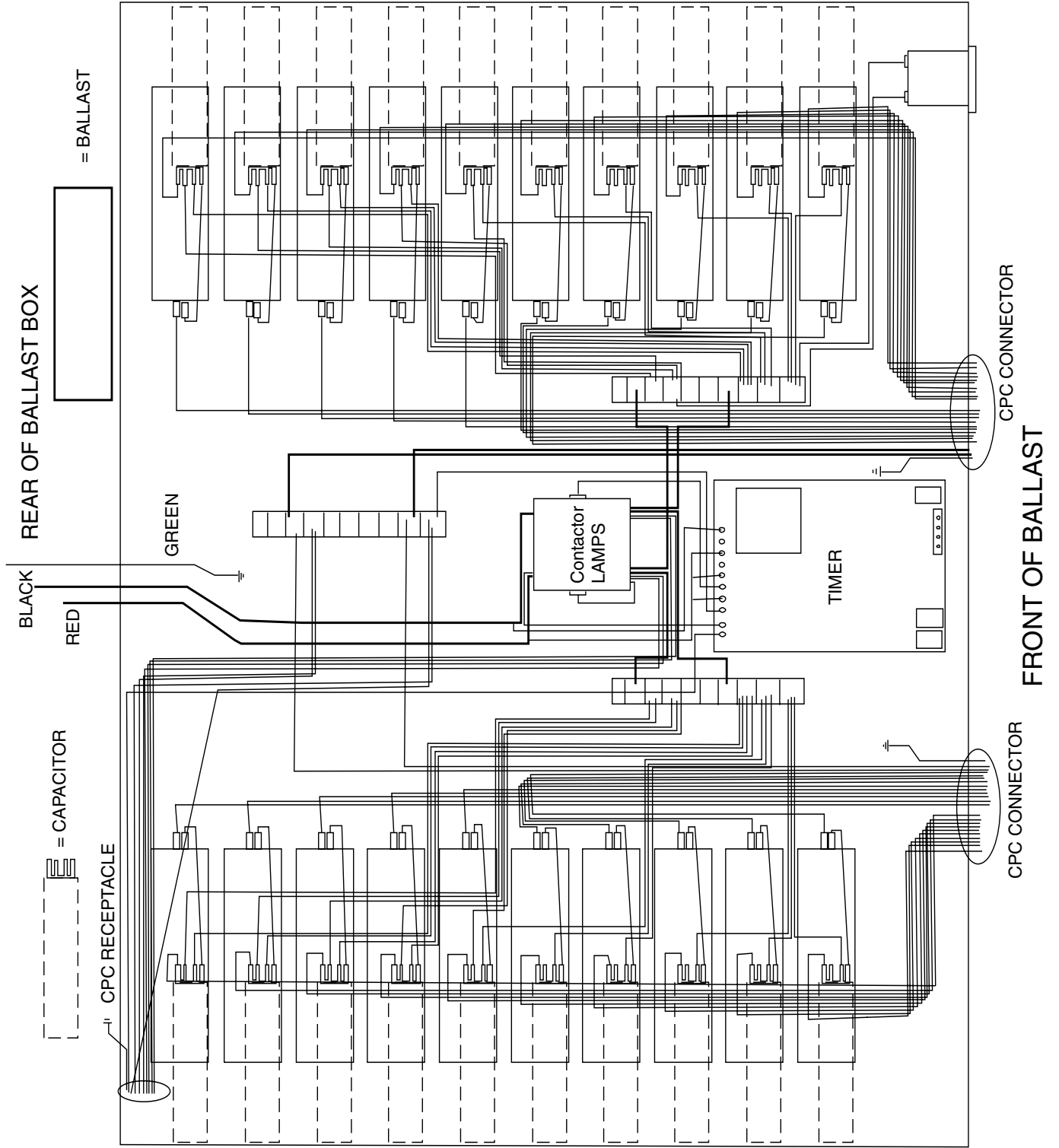
FRONT OF BALLAST

154 & 144 SERIES WIRING DIAGRAM BALLAST BOX

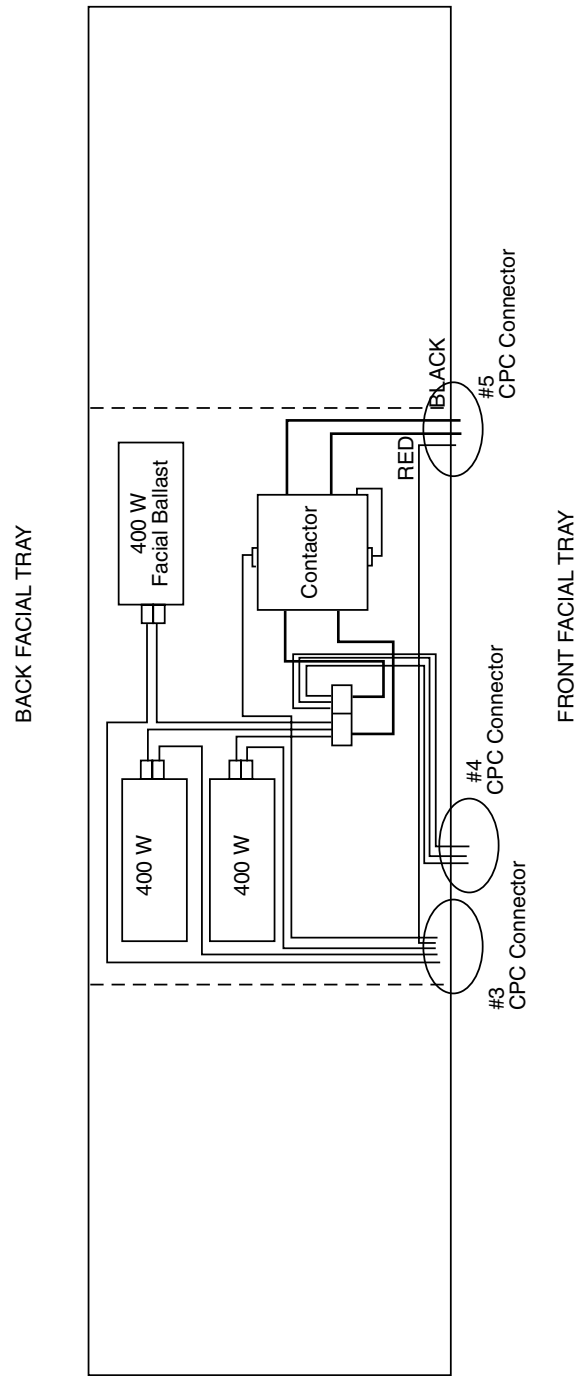
REAR OF BALLAST TRAY



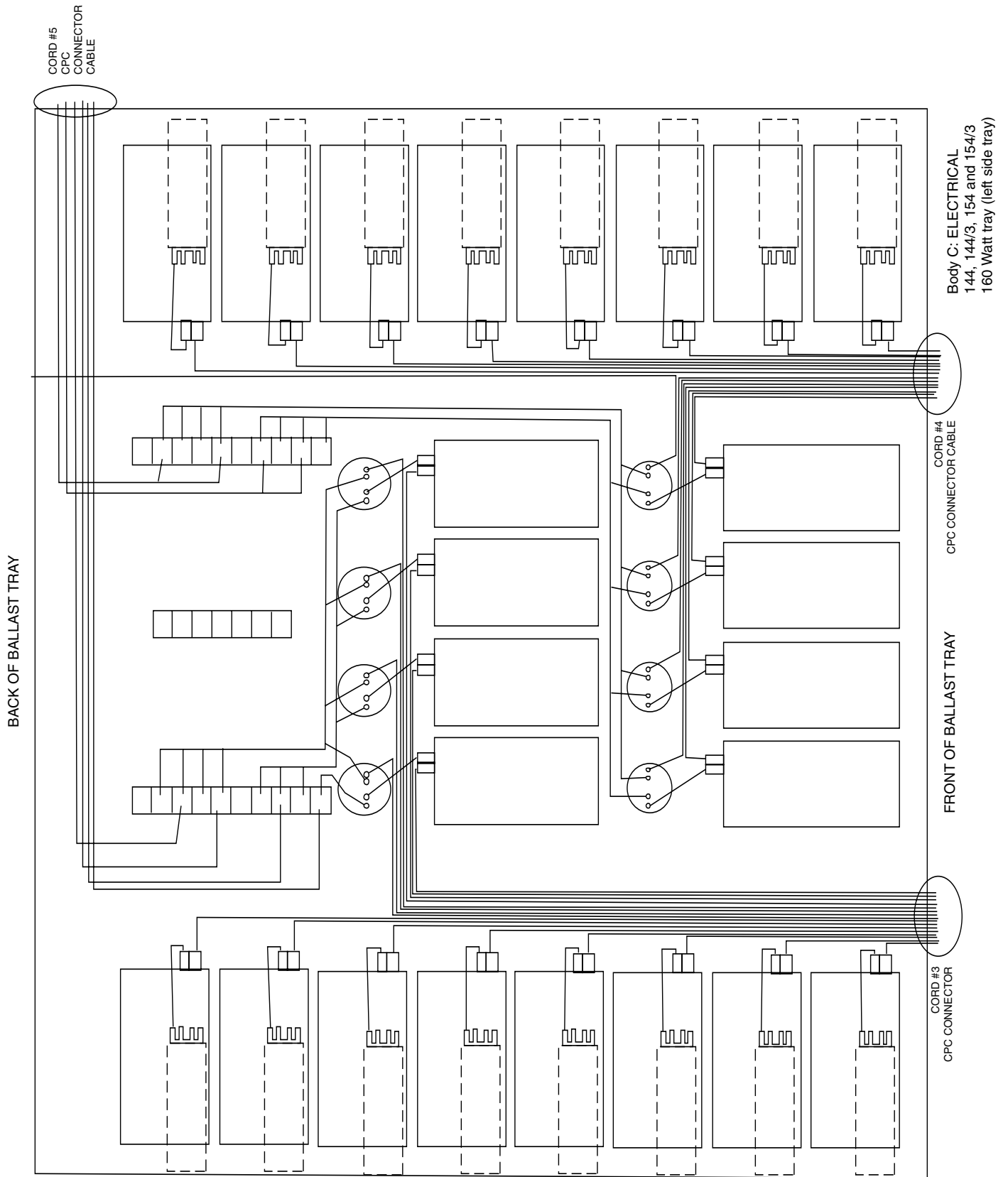
154 & 144 SERIES WIRING DIAGRAM BALLAST BOX



154 & 144 SERIES WIRING DIAGRAM FACIAL TRAY



154 & 144 SERIES WIRING DIAGRAM BALLAST BOX



154 & 144 SERIES ELECTRICAL OVERVIEW

