

NOTE:
1. WIRE COLORS MAY NOT BE
EXACTLY AS SHOWN

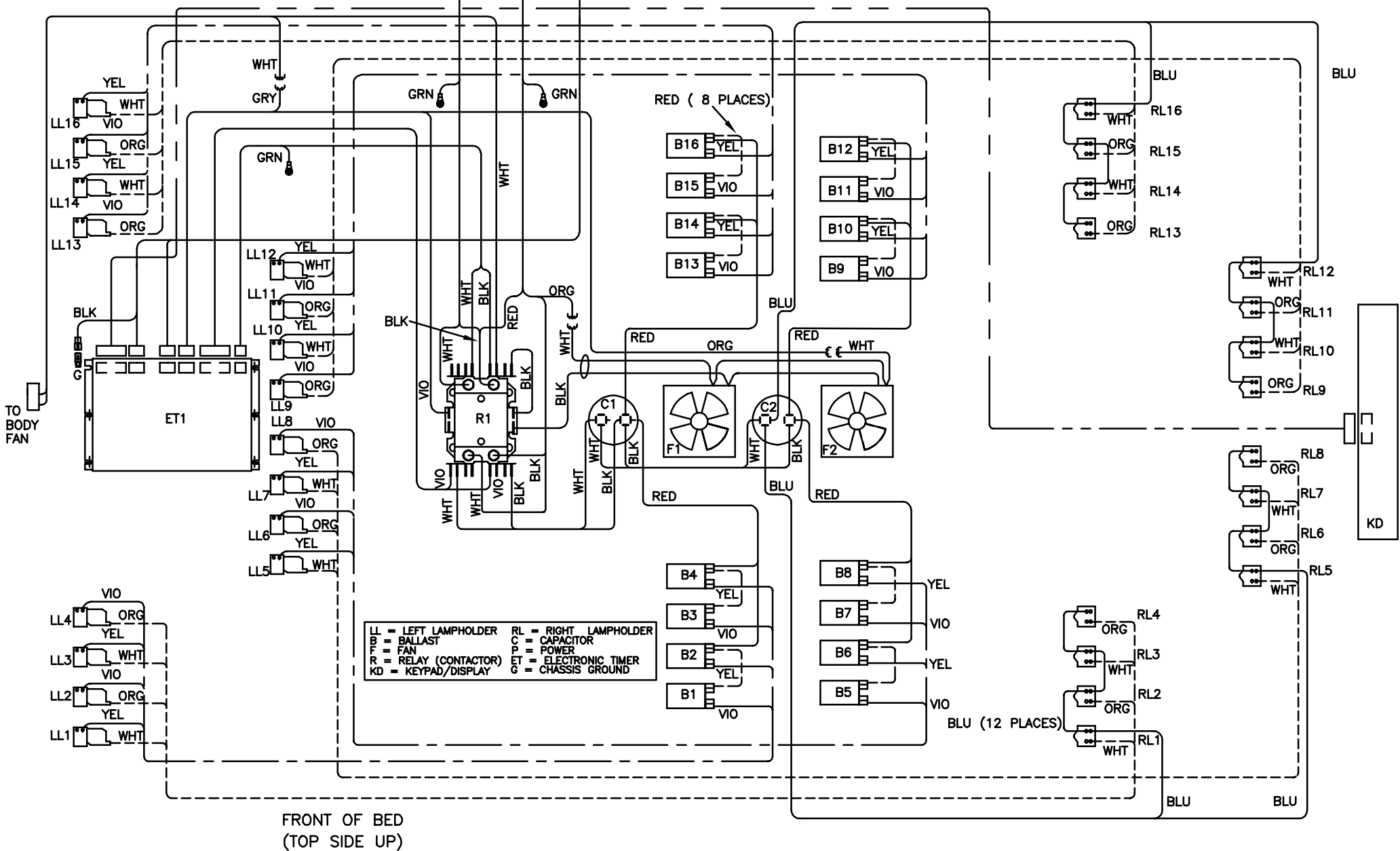
220 VAC IN P2 TO BENCH P1 TO REMOTE

SUNSTAR 32 HOOD WIRING DIAGRAM



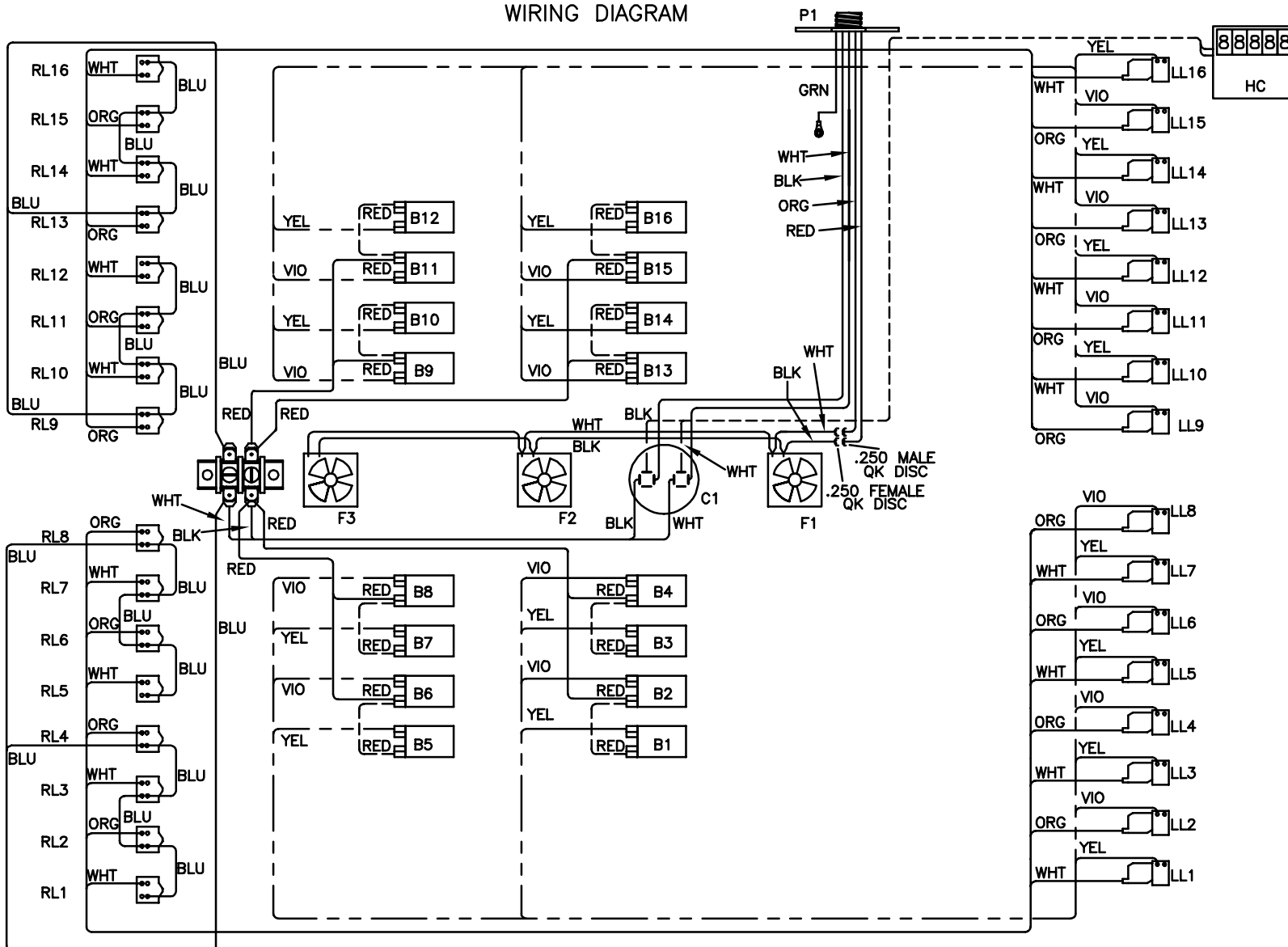
6220 CHURCHMAN BYPASS
INDIANAPOLIS, IN 46203

22350 REV. A



SUNSTAR 32 BENCH WIRING DIAGRAM

NOTE:
1. WIRE COLORS MAY NOT BE
EXACTLY AS SHOWN



LL = LEFT LAMPHOLDER
B = BALLAST
F = FAN
HC = HOUR COUNTER
RL = RIGHT LAMPHOLDER
C = CAPACITOR
P = POWER

FRONT OF BED
(BOTTOM SIDE UP)

WARNING: ALTERING THE DESIGN, TIMER SYSTEM, OR WIRING FROM THAT SHOWN HEREIN, WILL VOID THE WARRANTY, AND MAY RESULT IN A VIOLATION OF FEDERAL LAW.