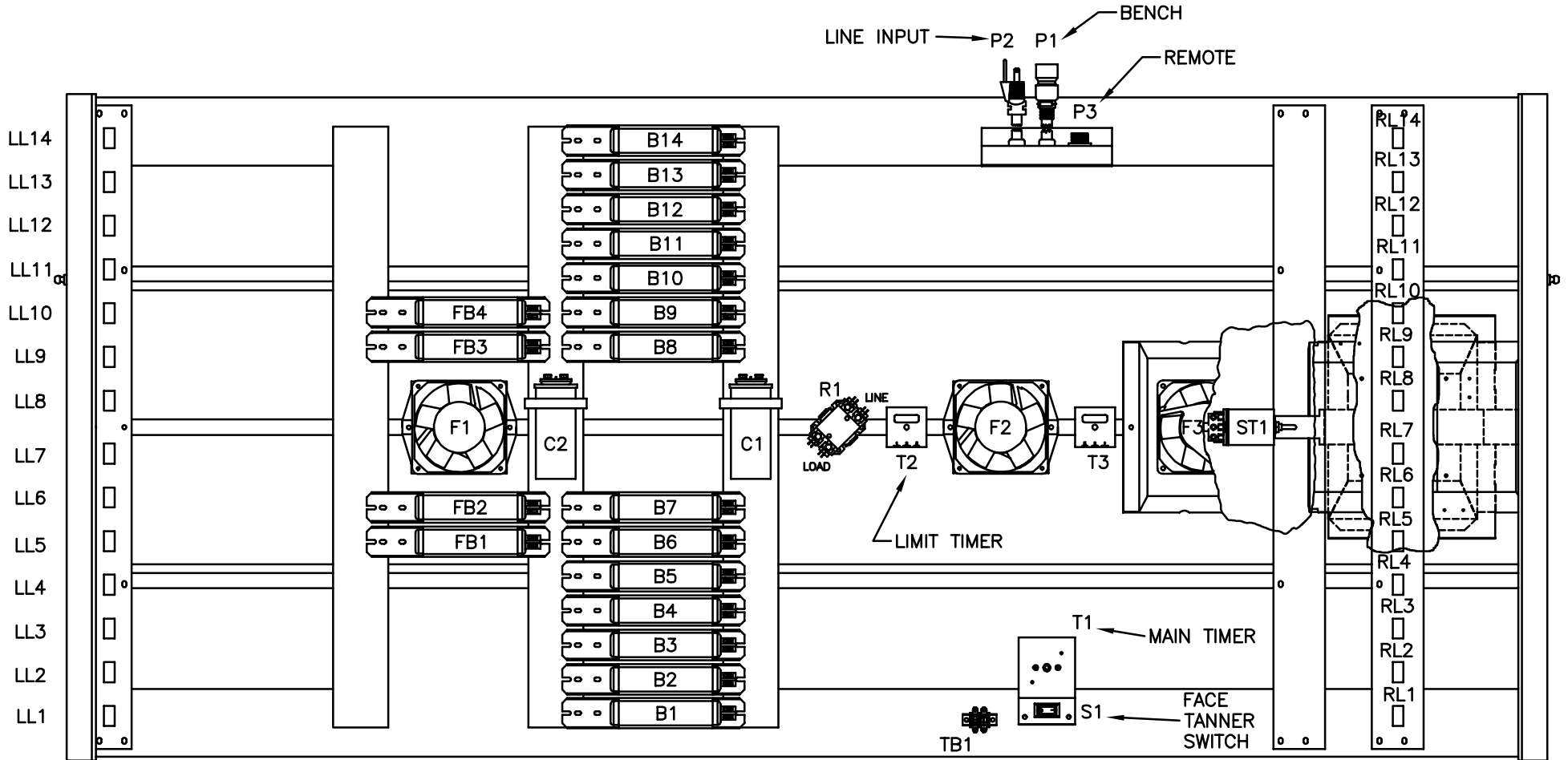


# SUNVISION PRO 28LXF HOOD



LL = LEFT LAMP HOLDER  
 B = BALLAST  
 F = FAN  
 R = RELAY (CONTACTOR)  
 TB = TERMINAL BLOCK  
 S = SWITCH  
 TC = TEMPERATURE CONTROL

RL = RIGHT LAMP HOLDER  
 C = CAPACITOR  
 P = POWER  
 T = TIMER  
 ST = FACE TANNER STARTER  
 FT = FACE TANNER  
 FB = FACE TANNER BALLAST

FRONT OF BED

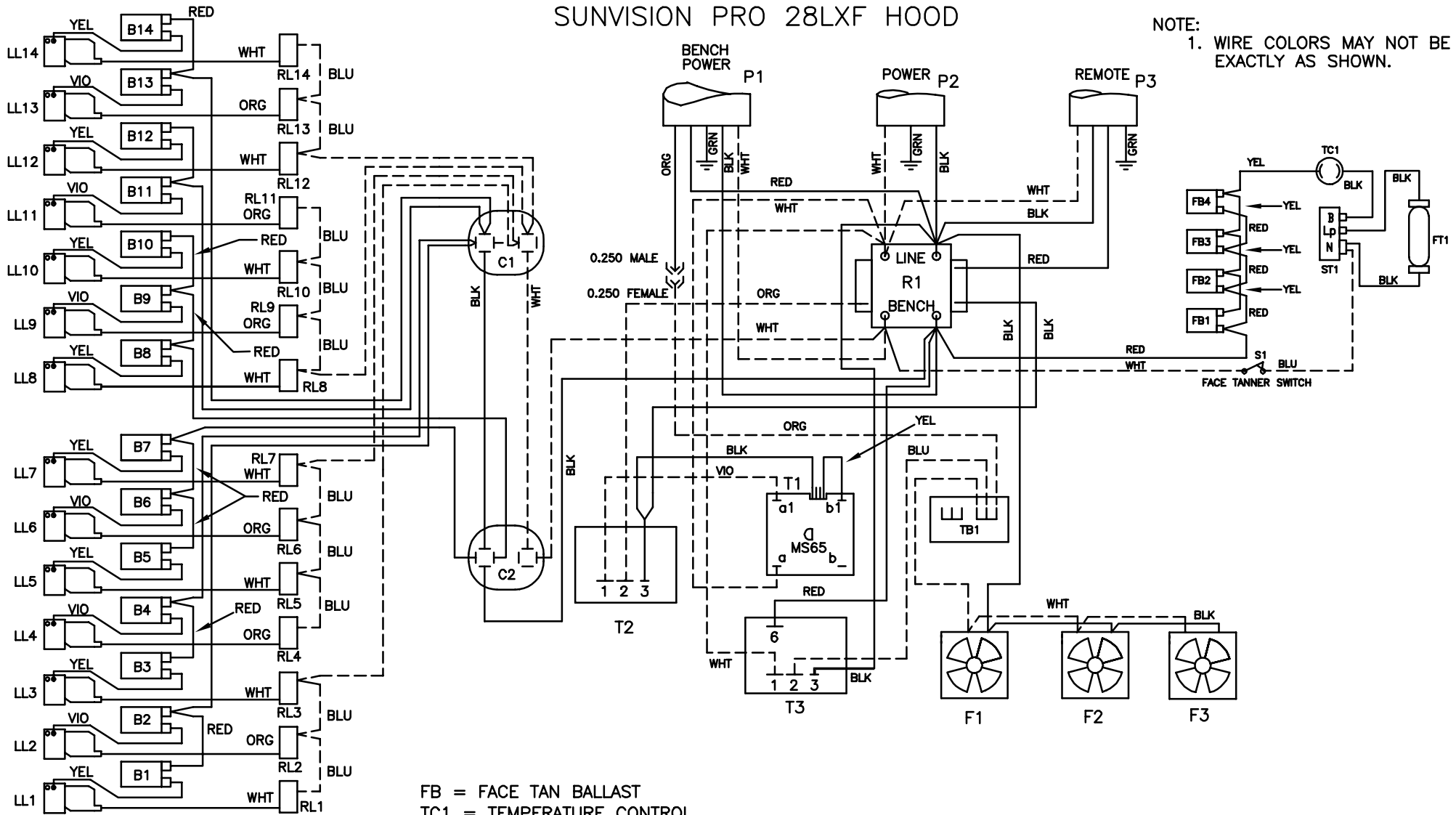


6220 CHURCHMAN BYPASS  
 INDIANAPOLIS, IN 46203

21894 REV. B

# SUNVISION PRO 28LXF HOOD

NOTE:  
1. WIRE COLORS MAY NOT BE EXACTLY AS SHOWN.

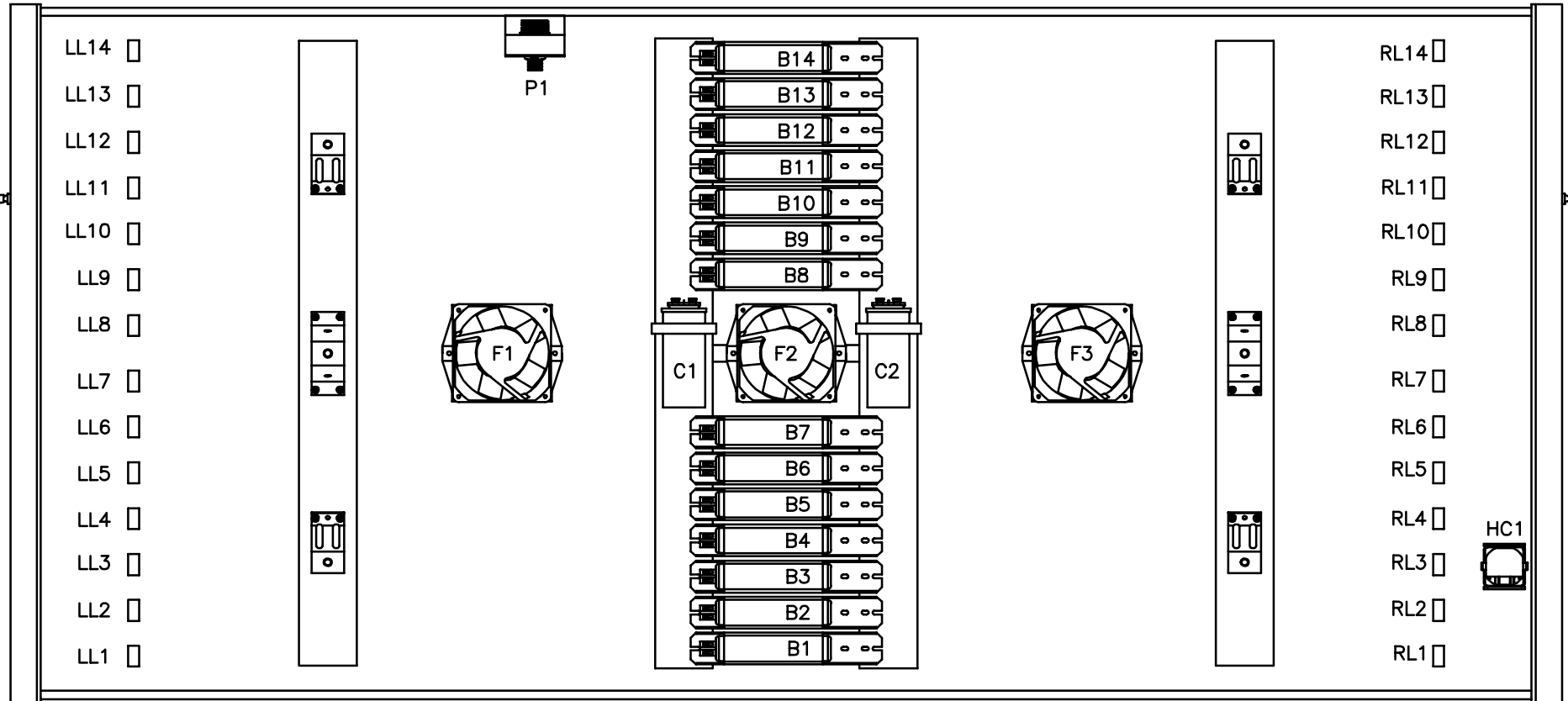


LL = LEFT LAMPHOLDER  
B = BALLAST  
F = FAN  
R = RELAY (CONTACTOR)  
TB = TERMINAL BLOCK  
ST1 = FACETANNER STARTER

RL = RIGHT LAMPHOLDER  
C = CAPACITOR  
P = POWER  
T = TIMER  
FT = FACE TANNER  
S = SWITCH

**WARNING: ALTERING THE DESIGN, TIMER SYSTEM, OR WIRING FROM THAT SHOWN HEREIN, WILL VOID THE WARRANTY, AND MAY RESULT IN A VIOLATION OF FEDERAL LAW.**

# SUNVISION PRO 28LX BENCH



LL = LEFT LAMPHOLDER  
 B = BALLAST  
 F = FAN  
 HC = HOUR COUNTER

RL = RIGHT LAMPHOLDER  
 C = CAPACITOR  
 P = POWER JACK

FRONT OF BED



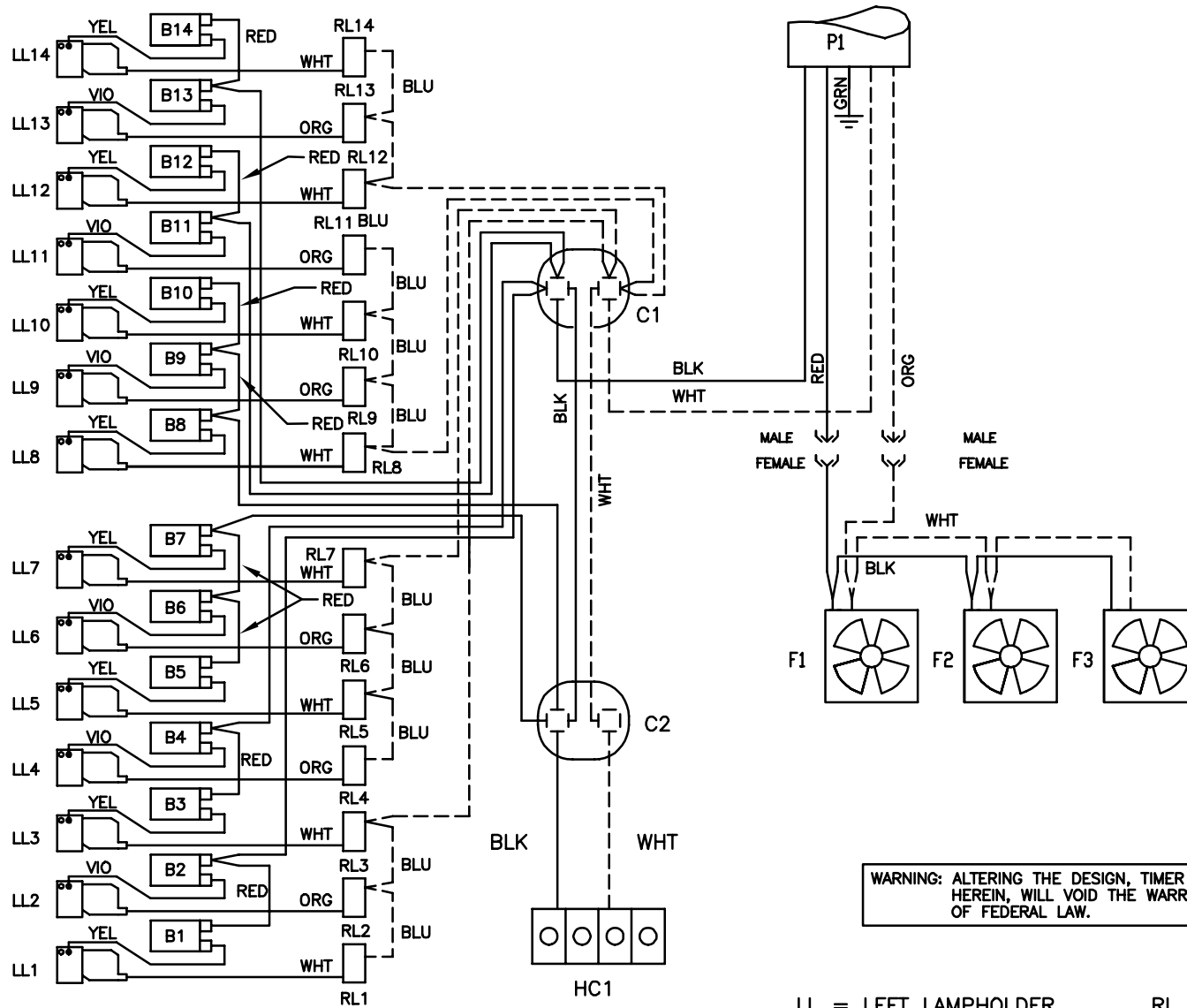
6220 CHURCHMAN BYPASS  
 INDIANAPOLIS, IN 46203

21485 REV. B

NOTE:

1. WIRE COLORS MAY NOT BE EXACTLY AS SHOWN

# SUNVISION PRO 28LX BENCH



WARNING: ALTERING THE DESIGN, TIMER SYSTEM, OR WIRING FROM THAT SHOWN HEREIN, WILL VOID THE WARRANTY, AND MAY RESULT IN A VIOLATION OF FEDERAL LAW.

- |                      |                       |
|----------------------|-----------------------|
| LL = LEFT LAMPHOLDER | RL = RIGHT LAMPHOLDER |
| B = BALLAST          | C = CAPACITOR         |
| F = FAN              | P = POWER JACK        |
| HC = HOUR COUNTER    |                       |