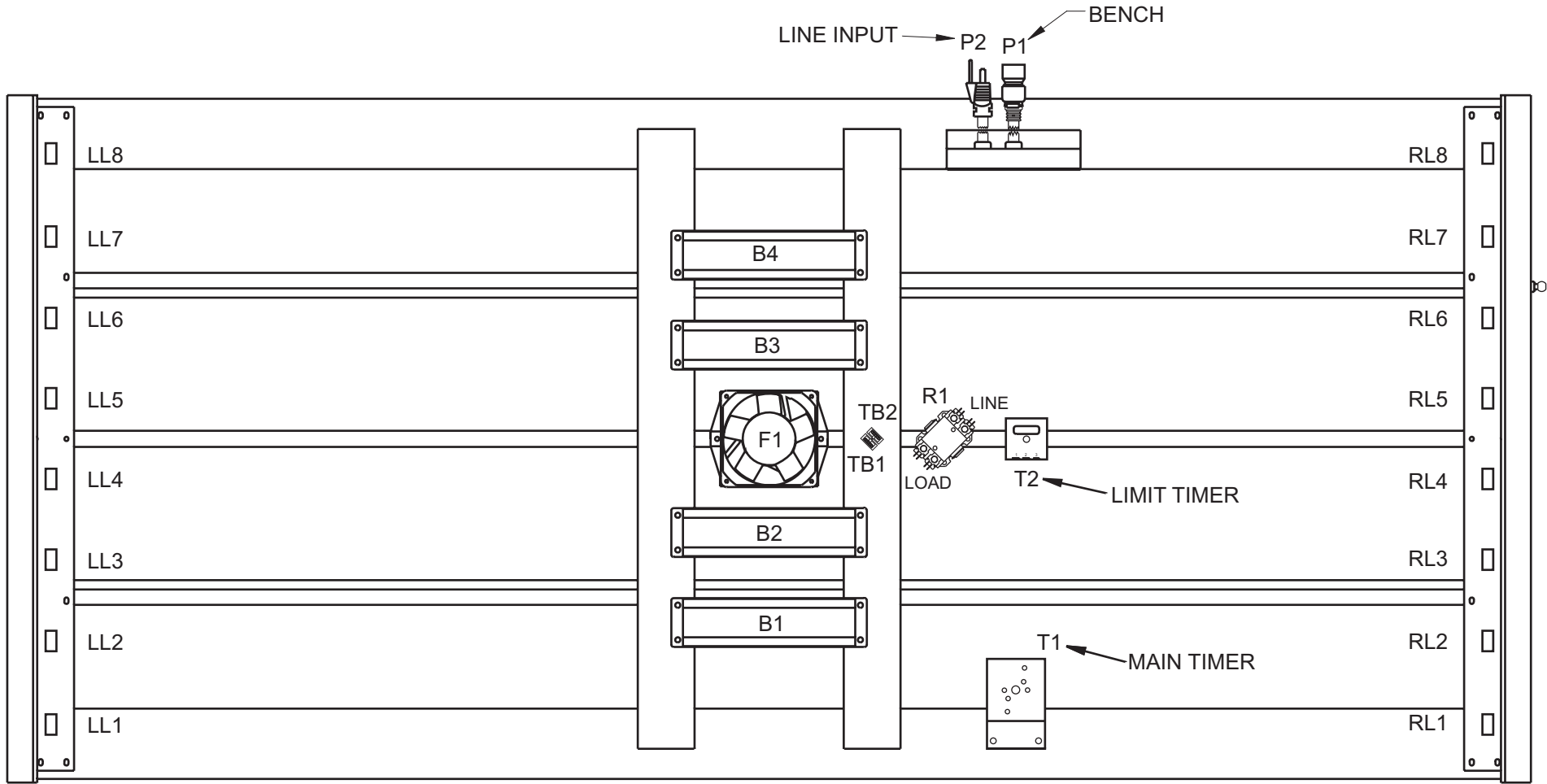


SUNQUEST PRO 16SE HOOD



FRONT OF BED

- LL = LEFT LAMPHOLDER
- B = BALLAST
- F = FAN
- R = RELAY (CONTACTOR)
- RL = RIGHT LAMPHOLDER
- TB = TERMINAL BLOCK
- P = POWER
- T = TIMER



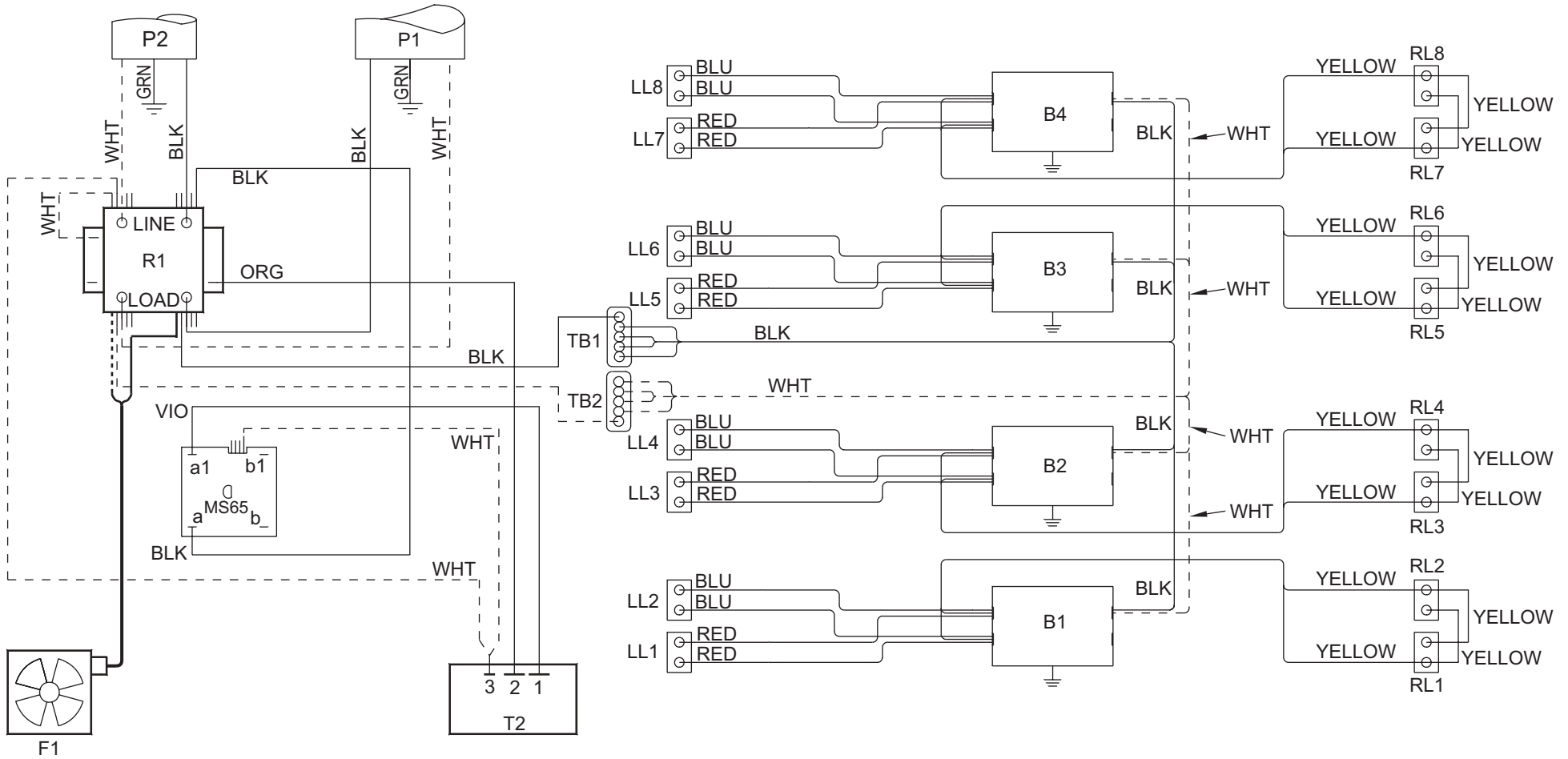
6220 CHURCHMAN BYPASS
INDIANAPOLIS, IN 46203

20679 REV.F

NOTE:
1. WIRE COLORS MAY NOT BE EXACTLY AS SHOWN

SUNQUEST PRO 16SE HOOD

WARNING: ALTERING THE DESIGN, TIMER SYSTEM, OR WIRING FROM THAT SHOWN HEREIN, WILL VOID THE WARRANTY, AND MAY RESULT IN A VIOLATION OF FEDERAL LAW.

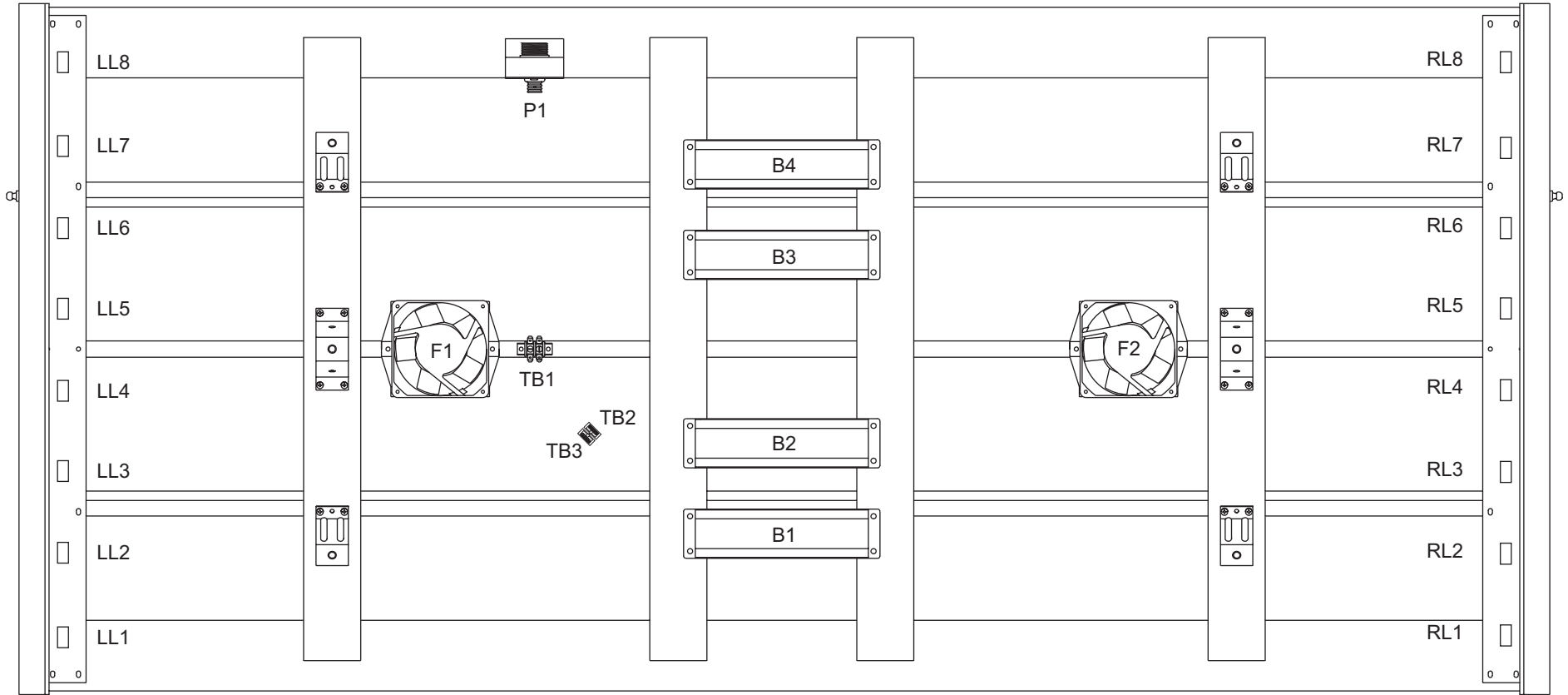


LL = LEFT LAMPHOLDER
B = BALLAST
F = FAN
R = RELAY (CONTACTOR)

RL = RIGHT LAMPHOLDER
TB = TERMINAL BLOCK
P = POWER
T = TIMER

NOTE:
1. BALLAST CASE MUST BE GROUNDED TO FRAME.

SUNQUEST PRO 16SE BENCH



FRONT OF BED

LL = LEFT LAMPHOLDER
 B = BALLAST
 F = FAN

RL = RIGHT LAMPHOLDER
 TB = TERMINAL BLOCK
 P = POWER JACK



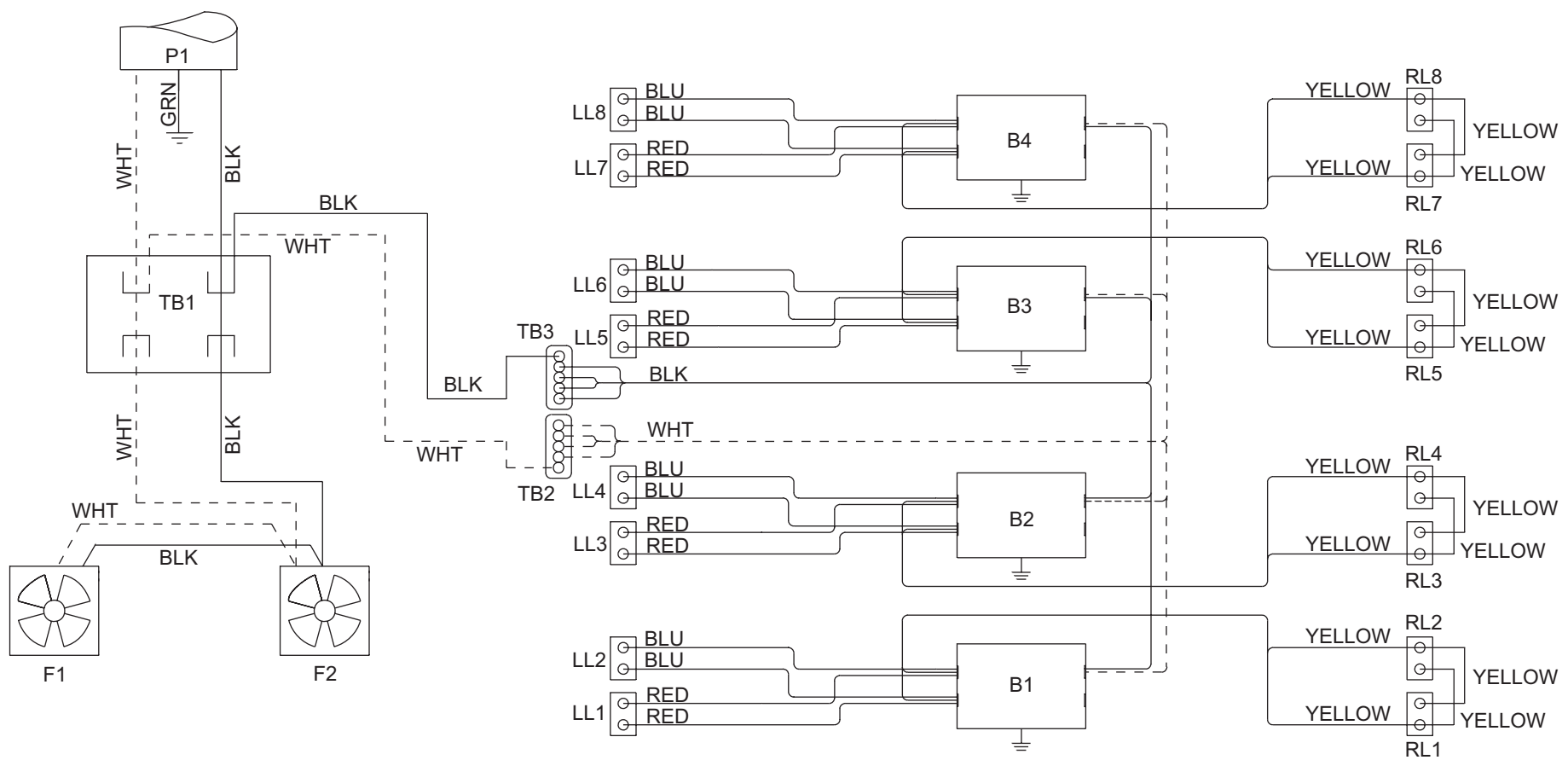
6220 CHURCHMAN BYPASS
 INDIANAPOLIS, IN 46203

20680 REV. E

SUNQUEST PRO 16SE BENCH

WARNING: ALTERING THE DESIGN, TIMER SYSTEM, OR WIRING FROM THAT SHOWN HEREIN, WILL VOID THE WARRANTY, AND MAY RESULT IN A VIOLATION OF FEDERAL LAW.

NOTE:
1. WIRE COLORS MAY NOT BE EXACTLY AS SHOWN



LL = LEFT LAMPHOLDER
 B = BALLAST
 F = FAN
 RL = RIGHT LAMPHOLDER
 TB = TERMINAL BLOCK
 P = POWER JACK

NOTE:
1. BALLAST CASE MUST BE GROUNDED TO FRAME.