

SPORTARREDO[®]

30020 GRUARO-ITALY - VIA DELL'INDUSTRIA 7

Tel. 0421/767676 Fax 0421/767670



mix-t 110

INSTALLATION, USE AND MAINTENANCE MANUAL

USA

INDEX

INDEX OF SECTIONS

1 - GENERAL INFORMATION

1.1 Labels.....	pag. 2
1.2 Introduction.....	4
1.3 General tanning instructions.....	4
1.4 Transport and handling.....	5
1.5 Preparation for installation by the client.....	5

2 - SAFETY INFORMATION

2.1 General.....	6
2.2 Noise.....	6
2.3 Regulations.....	6

3 - TECHNICAL DATA

3.1 Dimensions and technical data MIX-T 110.....	7
--	---

4 - INSTALLATION

4.1 Pre-installation.....	7
4.2 Connections.....	7
4.3 Assembly instructions.....	8
4.4 Voltage-change.....	10

5 - USE

5.1 Control board.....	11
5.2 Safety of the persons exposed to UV.....	12
5.3 Programming the pre-defined session times.....	13

6 - ORDINARY MAINTENANCE MADE BY THE CUSTOMER

6.1 Ordinary maintenance.....	14
-------------------------------	----

7 - EXTRAORDINARY MAINTENANCE MADE BY A SKILLED TECHNICIAN

7.1 Extraordinary maintenance.....	17
7.2 Periodic control procedure.....	17

8 - CONTROL BOARD PROGRAMMING

8.1 Programming.....	24
----------------------	----

9 - TROUBLESHOOTING AND RAPID DIAGNOSTICS

9.1 Troubleshooting and rapid diagnostics.....	28
--	----

10 - DEMOLITION AND WASTE MATERIALS

10.1 Waste materials.....	29
---------------------------	----

11 - REPLACEMENTS AND CIRCUIT DIAGRAMS

11.1 Spare parts list.....	30
11.2 Circuit diagrams legend.....	31

12 - MEDICATION

12.1 Medication.....	32
----------------------	----

13 - WARRANTY

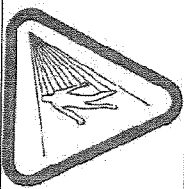
13.1 Limited warranty.....	32
----------------------------	----

1 - GENERAL INFORMATION

1.1 LABELS

<p>This device is intended to be used by only one person at a time. Lie on the bed and lower the canopy down to the stopping point.</p> <p>CAUTION: EXPOSURE POSITIONS OTHER THAN SPECIFIED MAY RESULT IN OVEREXPOSURE AND ARE NOT RECOMMENDED.</p> <p>Tanning normally begins after one to two exposures and maximizes after one to four (1-4) weeks of exposure following the recommended schedule for your skin type.</p> <p>Wear protective eyewear. Eyewear: SUN GLOBES</p>	<p>Read the instruction booklet before using tanning system.</p> <p>RECOMMENDED EXPOSURE SCHEDULE</p> <p>First three sessions should be at 48 hour intervals. Followed by the gradual increasing of exposure times until maximum tanning has occurred (in approximately 4 weeks). MAXIMUM EXPOSURE is 15 minutes.</p> <table border="1"> <thead> <tr> <th>Skin Type</th> <th>Week 1 1st - 3rd Session</th> <th>Week 2 4th - 6th Session</th> <th>Week 3 7th-9th Session</th> <th>Subsequent Weekly Session</th> </tr> </thead> <tbody> <tr> <td>II</td> <td>3 min</td> <td>6 min</td> <td>9 min</td> <td>12 min</td> </tr> <tr> <td>III</td> <td>3 min</td> <td>7 min</td> <td>10 min</td> <td>13 min</td> </tr> <tr> <td>IV</td> <td>3 min</td> <td>7 min</td> <td>10 min</td> <td>13 min</td> </tr> <tr> <td>V</td> <td>3 min</td> <td>8 min</td> <td>11 min</td> <td>15 min</td> </tr> </tbody> </table>	Skin Type	Week 1 1st - 3rd Session	Week 2 4th - 6th Session	Week 3 7th-9th Session	Subsequent Weekly Session	II	3 min	6 min	9 min	12 min	III	3 min	7 min	10 min	13 min	IV	3 min	7 min	10 min	13 min	V	3 min	8 min	11 min	15 min	<p>This product is in conformity with performance standards for sunlamp products under No. 21 CFR 1040.20.</p> <p>This appliance is intended to be used with the following lamps: Kaifasun 630F 600W Kaifasun 1530F 1500W Kaifasun B17-S RAPID 160W Kaifasun B25-S PLUS 160W</p> <p>For replacement lamps, eyewear or parts, contact: SPORTARREDO USA INC. 2224 Commerce Drive ARLINGTON, TX 76011 (1-866-899-4826)</p>
Skin Type	Week 1 1st - 3rd Session	Week 2 4th - 6th Session	Week 3 7th-9th Session	Subsequent Weekly Session																							
II	3 min	6 min	9 min	12 min																							
III	3 min	7 min	10 min	13 min																							
IV	3 min	7 min	10 min	13 min																							
V	3 min	8 min	11 min	15 min																							

Cod.16986.287.0.0



WARNING—ULTRAVIOLET RADIATION—FOLLOW INSTRUCTIONS—FAILURE TO USE PROTECTIVE EYEWEAR MAY RESULT IN SEVERE BURNS OR OTHER EYE INJURY—IF DISCOMFORT DEVELOPS, DISCONTINUE USE AND CONSULT A PHYSICIAN

ATTENTION—RAYONNEMENTS ULTRAVIOLETS—VEUILLEZ SUIVRE LES INSTRUCTIONS—SANS DISPOSITIF DE PROTECTION DES YEUX, CE PRODUIT PEUT CAUSER DES BRÛLURES OU LÉSIONS OCULAIRES GRAVES—SI VOUS SENTEZ UN MALAISE, EN DISCONTINUER L'USAGE ET CONSULTER UN MÉDECIN

Avoid overexposure. As with natural sunlight, overexposure can cause eye and skin injury and allergic reaction. Repeated exposure may cause premature ageing of the skin and cancer. Medications or cosmetics may increase your sensitivity to the ultraviolet radiation. Consult physician before using sunbed if you are using medications or have a history of skin problems or believe yourself especially sensitive to sun light. If you do not tan in the sun, you are unlikely to tan from use of this product.

Eviter surexposition. Comme avec la lumière naturelle du soleil, la surexposition peut causer lésions aux yeux et à la peau et réactions allergiques. Une exposition répétée peut causer un vieillissement prématuré de la peau et cancer. Médicaments et cosmétiques peuvent augmenter votre sensibilité aux rayons ultraviolets. Consulter un médecin avant d'utiliser la lampe à ultraviolets si vous utilisez médicaments, si vous avez problèmes de peau ou si vous croyez vous être particulièrement sensibles au rayons du soleil. Si vous ne bronzes pas avec le soleil, c'est improbable que vous puissiez vous bronzer en utilisant ce produit.

- **AVVERTENZA:** Non usare l'apparechiatura se i filtri protettivi sono danneggiati o mancanti!
- **ATTENTION:** Do not use the sunbed if the filter glasses are missing or damaged!
- **ACHTUNG:** Bei defekter oder fehlender Filterscheibe keine Bestrahlung vornehmen!
- **ATTENTION:** Quand le filtres de protection manque ou sont abîmés, n'utilisez pas l'appareil!
- **ATENCIÓN:** No utilizar el aparato si faltan los filtros protectores o si los mismos están dañados!

Cod. 16986.203.0.0

Cod. 16986.199.0.0

CAUTION!
CONNECT ONLY TO A CIRCUIT PROTECTED BY A CLASS
A GROUND FAULT-CIRCUIT INTERRUPTER.

ATTENTION!
BRANCHER SEULEMENT À UNE DÉRIVATION PROTÉGÉE
PAR UN DISJONCTEUR DIFFÉRENTIEL DE CLASSE A

VALID ONLY FOR CAN/CSA

Cod. 16986.200.0.0

WARNING!
DISCONNECT POWER SUPPLY BEFORE OPENING UNIT

ACHTUNG!
VOR DER ÖFFNUNG DES GERÄTES SICH VERGEWISSEN, DASS
DIE ELEKTRIZITÄT ABGESCHALTET IST

ATTENTION!
AVANT D'OUVRIR L'APPAREIL, S'ASSURER QU'IL AIT ÊTÉ COUPÉ
LA TENSION D'ALIMENTATION

CUIDADO!
ANTES DE ABRIR EL APARATO HAY QUE ASEGURARSE DE QUE
ESTE CORTADA LA TENSION DE ALIMENTACIÓN

ATTENZIONE!
PRIMA DI APRIRE L'APPARECCHIO ACCERTARSI CHE SIA STATA
TOLTA LA TENSIONE DI ALIMENTAZIONE

Cod. 16986.001.0.0

WARNING:
**GROUNDING CIRCUIT CONTINUITY IS VITAL FOR SAFE OPERATION OF
EQUIPMENT. NEVER OPERATE EQUIPMENT WITH GROUNDING CONDUCTOR
DISCONNECTED.**

AVERTISSEMENT:
**POUR UN FONCTIONNEMENT SÛR, NE JAMAIS UTILISER CET APPAREIL
QUAND LE CONDUCTEUR DE MISE À LA MASSE EST DÉCONNECTÉ.**

Cod. 16986.137.0.0

WARNING:
HIGH LEAKAGE CURRENT--ENSURE PROPER GROUNDING.

AVERTISSEMENT:
**COURANT DE FUITE ÉLEVÉ--FOURNIR UNE MISE À LA
TERRE EFFICACE**

Cod. 16986.138.0.0

1.2 INTRODUCTION

IMPORTANT

BEFORE OPERATING THE MACHINE, READ THE INSTRUCTIONS CONTAINED IN THIS OPERATING MANUAL CAREFULLY AND COMPLETELY.

KEEP THIS MANUAL AND ALL ENCLOSURES IN AN ACCESSIBLE PLACE WHERE IT CAN BE REFERRED TO BY ALL USERS (OPERATORS, MAINTENANCE PERSONNEL AND THOSE CLIENTS WHO ASK FOR DETAILED INFORMATION).

This Technical Manual is designed for use by installers and operators, and should be read carefully and completely before the machine is operated. The manual should always be available for reference and should be kept in a safe place so that it stays in good condition for future reference. For further copies or updates of the manual, contact the manufacturer at the address on the front page.

Sportarredo SpA reserves the right to make changes to the product and to the manual without being obliged to update the preceding manuals.

This manual contains all the instructions and information necessary to operate the machine:

- Correct installation of the machine.
- Description of the functions of the machine.
- Circuit diagrams.

The installers and the operators can use this manual to understand the characteristics of the machine and to learn the correct operating procedure.

1.3 GENERAL TANNING INSTRUCTIONS

DANGER! Ultraviolet Radiation.

Follow instructions. Avoid overexposure. As with natural sunlight, overexposure can cause eye and skin injury and allergic reactions. Repeated exposure may cause premature ageing of the skin and skin cancer.

WEAR PROTECTIVE EYEWEAR; FAILURE TO MAY RESULT IN SEVERE BURNS OR LONG-TERM INJURY TO THE EYES.

Medications or Cosmetics may increase your sensitivity to the ultraviolet radiation. Consult physician before using sunbed if you are using medications or have a history of skin problems or believe yourself especially sensitive to sunlight. If you do not tan in the sun, you are unlikely to tan from the use of this product. This device is intended to be used by only one person at a time. Lie on the bed and lower the canopy down to the stopping point.

CAUTION: EXPOSURE POSITIONS OTHER THAN SPECIFIED MAY RESULT IN OVEREXPOSURE AND ARE NOT RECOMMENDED.

Tanning normally begins after one to two exposures and maximizes after one to four (1-4) weeks of exposure following the recommended schedule for your skin type.

Skin type II.

This is the individual that usually burns easily and severely. Tans minimally or lightly and peels.

Skin type III.

Often referred to as "average" complexion burns moderately and tans about average.

Skin type IV.

This individual burns minimally, tans easily and above average.

Skin type V.

This individual's system rarely burns, tans easily and substantially.

Session times are calculated for a supply voltage of 208V.

This product is in conformity with performance standards for sunlamp products under No.21 CFR 1040.20.

RECOMMENDED EXPOSURE SCHEDULE

First three sessions should be at 48 hour intervals. Followed by the gradual increasing of exposure times until maximum tanning has occurred (in approximately 4 weeks). MAXIMUM EXPOSURE is 15 minutes.

Skin type	Week 1 1st-3rd Session	Week 2 4rd-6rd Session	Week 3 7rd-9rd Session	Subsequent Weekly Session
II	3 min.	6 min.	9 min.	12 min.
III	3 min.	7 min.	10 min.	13 min.
IV	3 min.	7 min.	10 min.	13 min.
V	3 min.	8 min.	11 min.	15 min.

This schedule is intended to be used with the following lamps: (standard configuration)

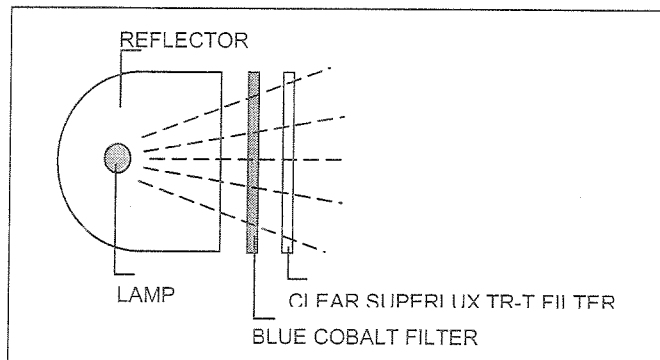
Kalfasun B17-S Rapid 160W

Kalfasun B25-S Plus 160W

Kalfasun 630F

Kalfasun 1530F

Blue cobalt filter and clear Superlux TR-T filter (together).



1.4 TRANSPORT AND HANDLING

The machine is carefully protected and loaded onto pallets before shipping. The various parts of the machine must never be transported or stored in positions which differ from the positions in which they are shipped. In this case, the warranty shall be null and void.

The machine must be handled with care in order to prevent the risk of damage to the packaged sections. All handling operations should be carried out by authorized and trained personnel. When the machine is delivered, immediately check that the packaging material is whole and that no damage has occurred during transport.

Any damage to the machine must be notified to the carrier not later than **eight calendar days** from the date of delivery. If internal damage is suspected, it is advisable to accept the machine reserving the right to check accordingly.

THE CARRIER IS RESPONSIBLE FOR ANY DAMAGE OCCURRING DURING TRANSPORT OF THE MACHINE. SPORTARREDO WILL MAKE EVERY EFFORT TO ASSIST THE CLIENT IN SUCH CASES

ALL MAINTENANCE OF THE MACHINE MUST BE PERFORMED BY SPECIALIZED TECHNICIANS FROM SPORTARREDO OR BY PERSONS AUTHORIZED BY SPORTARREDO USA INC.

**IMPORTANT!
ALWAYS DISCONNECT THE MACHINE FROM THE POWER SUPPLY BY PRESSING THE SWITCH BREAKER BEFORE CARRYING OUT MAINTENANCE**

1.5 PREPARATION FOR INSTALLATION BY THE CLIENT

Unless otherwise expressly specified in the contract, the following must be provided by the client:

- Connections to the electrical circuit, including the protective wire generally referred to as the "EARTH CONNECTION", unit feeding cable, power plug and circuit breaker.
- Canalization system for the emission of hot air.
- External air intake.
- All tools and equipment necessary for installation.

THE UNIT IS SUPPLIED FOR INPUT VOLTAGE AT 230V 3phase 60 Hz

AND IT IS SUPPLIED WITH THE FEEDING CABLE
To make a power cable connection or voltage-change, make reference to the chapter "INSTALLATION" paragraph "VOLTAGE-CHANGE" and to the MIX-T 110 n° 1/11 electrical diagram.

These operations must be done by technical personnel.

THE BREAKER MUST BE INSTALLED IN THE POWER SUPPLY BOARD OF THE ESTHETICAL CENTRE AND IT MUST BE DONE BY THE CENTRE ITSELF.

Mod. MIX-T 110:

3x40A-30mA to feed 230V - 3phase 60Hz

The installation must be done by technical personnel.

THE POWER SUPPLY CONNECTION (UNIT-BOARD) MUST BE DONE BY THE CENTRE. THE SKILLED TECHNICIAN MUST USE A CERTIFIED CABLE WITH THE PROPER SECTION AND WITH ADEQUATE MECHANICAL PROTECTION, IN ACCORDANCE WITH THE RULES IN FORCE. *SEE CHAPTER 3.1 TABLES FOR TECHNICAL DATA "POWER SUPPLY CABLE SECTION"*

PLEASE CONTACT THE CUSTOMER SERVICE AT PHONE NUMBER

1-866-899-4826 FOR ANY FURTHER DOUBT

Before the evening closing, or the closing for a prolonged period you should operate on the breaker in order to disconnect the power supply.

TO HAVE A CORRECT USE OF THE EQUIPMENT, THE ROOM TEMPERATURE MUST NOT EXCEED THE 86°F DEGREES. IF ROOM TEMPERATURE EXCEEDS THIS VALUE, WE SUGGEST TO UTILIZE AN AIR-CONDITIONING UNIT.

2.1 GENERAL

The employer must ensure that the persons assigned to the operation of the machine receive adequate training concerning possible accident risks, the devices fitted for the safety of the operator and the client, the risks associated with the emission of UV light and the general accident-prevention regulations specified by international norms and local legislation.

Those responsible for operation, maintenance, cleaning and control of the machine must adhere strictly to the accident-prevention regulations applicable in the country in which the machine is installed.

Before operating the machine, the operator must be completely familiar with the position and the function of all the controls and with the characteristics of the machine. The operator must read this manual carefully and completely.

The machine must be operated by fully-qualified operators only.

Removal of the **safety devices** and protective barriers is strictly forbidden.

No heavy weights must be placed on the moving parts of the machine. The ventilation ducts and intake grilles must not be obstructed by foreign bodies.

The machine must always be switched off and disconnected from the power supply before performing any routine or special maintenance operations.

Unauthorised replacement of or repairs to any part or section of the machine, or the use of accessories or material that are not original or recommended by the manufacturer, may represent a risk of injury, and exonerate the manufacturer from all civil or penal liability.

It is forbidden to stay near the appliance while it is operating without eye protection.

"DANGEROUS ZONES": any zone internal to or in the vicinity of the machine in which the presence of an exposed person constitutes a risk for the safety and the health of that person.

"EXPOSED PERSON": any person who is wholly or partly in a dangerous zone.

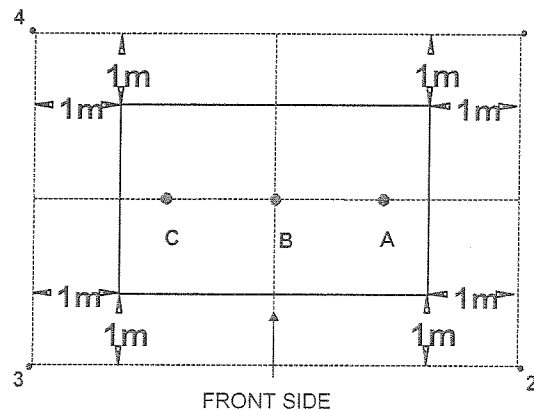
"OPERATOR": person or persons assigned to the installation, operation, adjustment, maintenance, cleaning, repair and transport of the machine.

2.2 NOISE

The machine is designed and built in such a way as to reduce operational noise as follows:

- Effective normalized sound power during operation, see diagram below:
 - 1 = 76,9 dB (A) max.
 - 2 = 77 dB (A) max.
 - 3 = 75,5 dB (A) max.
 - 4 = 74,8 dB (A) max.
- Effective sound pressure with simulation of the actual position of the person being treated:
 - A = 79,6 dB (A) max.
 - B = 79 dB (A) max.
 - C = 79,8 dB (A) max.

The figures shown above have been determined according to ISO 3746.



2.3 REGULATIONS

Standard for Safety Portable Sun/Heat Lamps, ANSI/UL 482, UL Issue: 2005/09/02 Ed: 9 Radiant Heaters and Infrared and Ultraviolet Lamp Assemblies for Cosmetic or Hygienic Purposes in Nonmedical Applications General Instruction No 1-2 (R2004), CSA C22.2 No.224, Issue: 1989/09/01.

In the planning of this unit the following rules and provisions of the European Community have been taken in consideration:

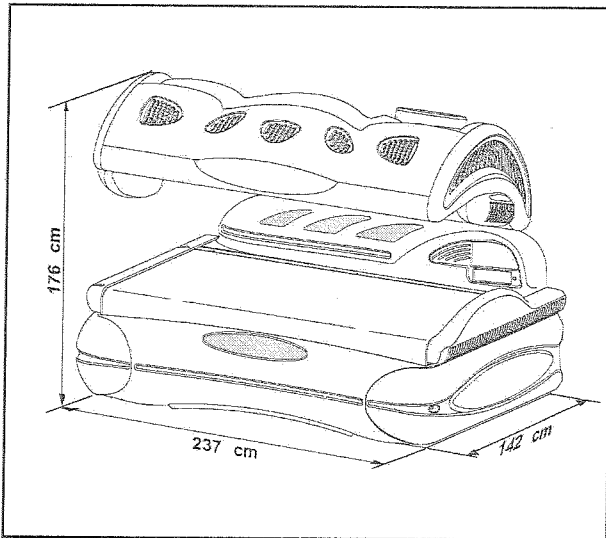
ECC Directive N. 91/368 dated 20.06.1991, N.93/44 dated 14.06.1993, N.93/68 dated 22.07.1993

ECC Directive 2006/95 dated 12.12.2006 known as "low voltage directive".

ECC Directive N.89/336 dated 03.05.1989 known as "Electronic compatibility directive".

En 60335-2-27 II part Special standard for units for the treatment of the skin with ultraviolet and infrared rays for home use and similar use.

3 - TECHNICAL DATA

3.1 DIMENSIONS AND TECHNICAL DATA
MIX-T 110

MAXIMUM LENGTH	237 cm	93" in
MAXIMUM WIDTH	142 cm	55" in
MAXIMUM HEIGHT	176 cm	69" in
WEIGHT	650 Kg	1433 lb

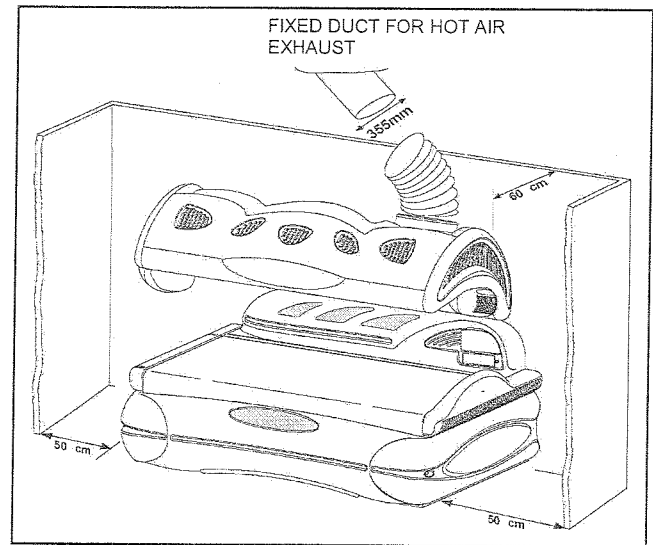
MIX-T 110	U.M	DATA
POWER SUPPLY	V	230V 3phase
NOMINAL POWER	KW	11
NOMINAL CURRENT	A	29,3
POWER FACTOR CORRECTION		0,96
FREQUENCY	Hz	60
SECTION OF POWER CABLE	mm ²	10
FEEDING PLUG		3P+ \perp (63A)
EXHAUST AIR FLOW	m ³ /h	2550
CALORIES PRODUCED	Kcal/h	9460
HEAT DISSIPATION	Kcal/h	5670
FACIAL LAMPS	N.	2xKALFASUN 1530F
CANOPY LAMPS	N.	3xKALFASUN 630F 12xKALFASUN B25-S Plus 160W
BED LAMPS	N.	20xKALFASUN B17-S Rapid 160W

UV EMISSION

SEE RAY EMISSION CERTIFICATE

4 - INSTALLATION

4.1 PRE-INSTALLATION



In order to ensure correct operation of the machine, it should be installed in an area which has been prepared as shown in the figure.

The connection of the exhaust air pipe must have on the first part (50-60cm from the edge of the fan) the minimum curving. This device has to be done to reduce the noise of the fan caused by the resistance of the hair, to improve the cooling of the lamps and to have a better air flow during the tanning session.

4.2 CONNECTION

The area in which the machine is installed **must be adequately ventilated, fit the area with an air intake from outside if necessary.** To improve the technical comfort we suggest to connect the tube to expel the hot air to a fixed duct to expel the air outward

- The metal structure of the machine is earthed by means of insulated wires connected to the earth terminal in the electrical junction box.
- The earth circuit must be in full compliance in accordance with the rules in force.
- The earth connection must also be fitted to low-voltage systems situated in wet or very damp areas (if the voltage to earth is in excess of 25V for alternating current or 50V for direct current).
- The earth wires connected to every part of the various sections of the machine and the earth wires from the various power circuits and user groups must be connected to a single earthing circuit.
- Ensure that the materials used for the earth system are suitably robust and provided with adequate protection.
- The connection to the main earth terminal should be as short as possible. The earth wires should not be subjected to mechanical stress of any kind, and must be protected against corrosion.

4.3 ASSEMBLY INSTRUCTIONS

SEE ENCLOSED FIGURE 1A-1B

- 1 - Match the acrylic-lamp group with the base **E**. Fix it at the back with the two screws 4,8x13 as per figure 1 and in front with the two screws 4,8x70 rising the acrylics as per figure 2. TABLE 1A.
- 2 - Keeping the acrylic raised insert the brackets **G1** following the right and left position. Fix the parts firmly with the two screws flared 6x15 see figure3. TABLE 1A.
- 3 - Assemble the cover plastics **E1**, **E2** and fix them with two black cone-shaped screws 2,9x9,5. Apply to the magnets the air filters of the lamps. TABLE 5 page 15.
- 4 - Fit the lateral section **F** to the base **E** and bolt in position using the 4 hexagonal-head M12x35 screws with 12x32 washers. TABLE 1B.
- 5 - Screw the two pistons **G** (1) and fit them (2-3) on the lateral part (see figure 4). TABLE 1B.
- 6 - Insert inside the base (keeping the position shown in figure) the control box **A**, the ballast boxes **B**, **C** and **D**. Pay extremely attention not to knock the cooling fan of the lamps of the bed against the feeder boxes. TABLE 1B. Fasten the pistons that support the lamps bed group.
- 7 - Insert the two brackets which support the upper section **H** into the pushing in the lateral section. Ensure that the two limit-position bolt **I** face upwards as shown in the TABLE 1B.
- 8 - Slide the upper section **L** onto the support brackets as far as allowed by the two limit-position bolts. Fix the upper section to the brackets using the two 4,8x13 self-tapping screws TABLE 1B.
- 9 - Fix the head side fan **M** with three 3.9x13 large head screws and the feet side fan **N** with four M6x20 screws. Connecting the black connectors. TABLE 1B.
- 10 - Assemble the cover plastic parts **L1** with two 3.9x38 screws and 4x12 washer and the flared screw placed on the top of the cover 3.9x13. TABLE 1B.
- 11 - Fit the connectors:
 - 10-pin connector between ballast box **D** and control box **A**;
 - 16-pin connector between lateral and control box **A**;
 - 24-pin connector between ballast box **C** and control box **A**;
 - 10-pin connector between ballast box **C** and control box **A**;
 - 24-pin connector between head and control box **A**;
 - 3-pin black connector 3 of the base decorative light to the control box **A**;
 - 10-pin connector between head and ballast box **D**;
 - 32-pin connector between bed and ballast box **C**;
 - 7-pin black connector between lateral and bed (near the bed fan)
 - 3-pin black connector of the head rest decorative light **E2** to the lateral.
- 12 - Connect the power supply cable to the connector inside the control box **A**.
- 13 - When assembly of the unit is complete, connect the negative pole of the battery-accumulator inside the control box **A** for automatic raising of the upper section.

WARNING!

Opening the base acrylic a finger switch cuts off the power it restarts automatically closing down the acrylic.

In the control box there is a safety timer set this timer at a value 10% longer than the maximum session time. e.g.: session time 15 min set the safety timer to 16,5 min.

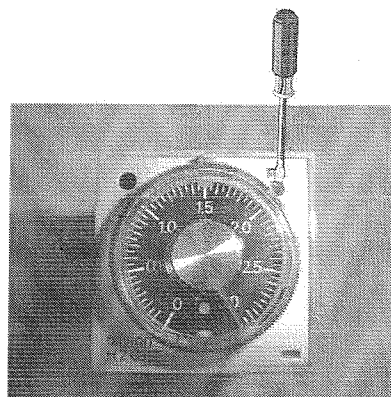


FIGURE 3

FIGURE 1

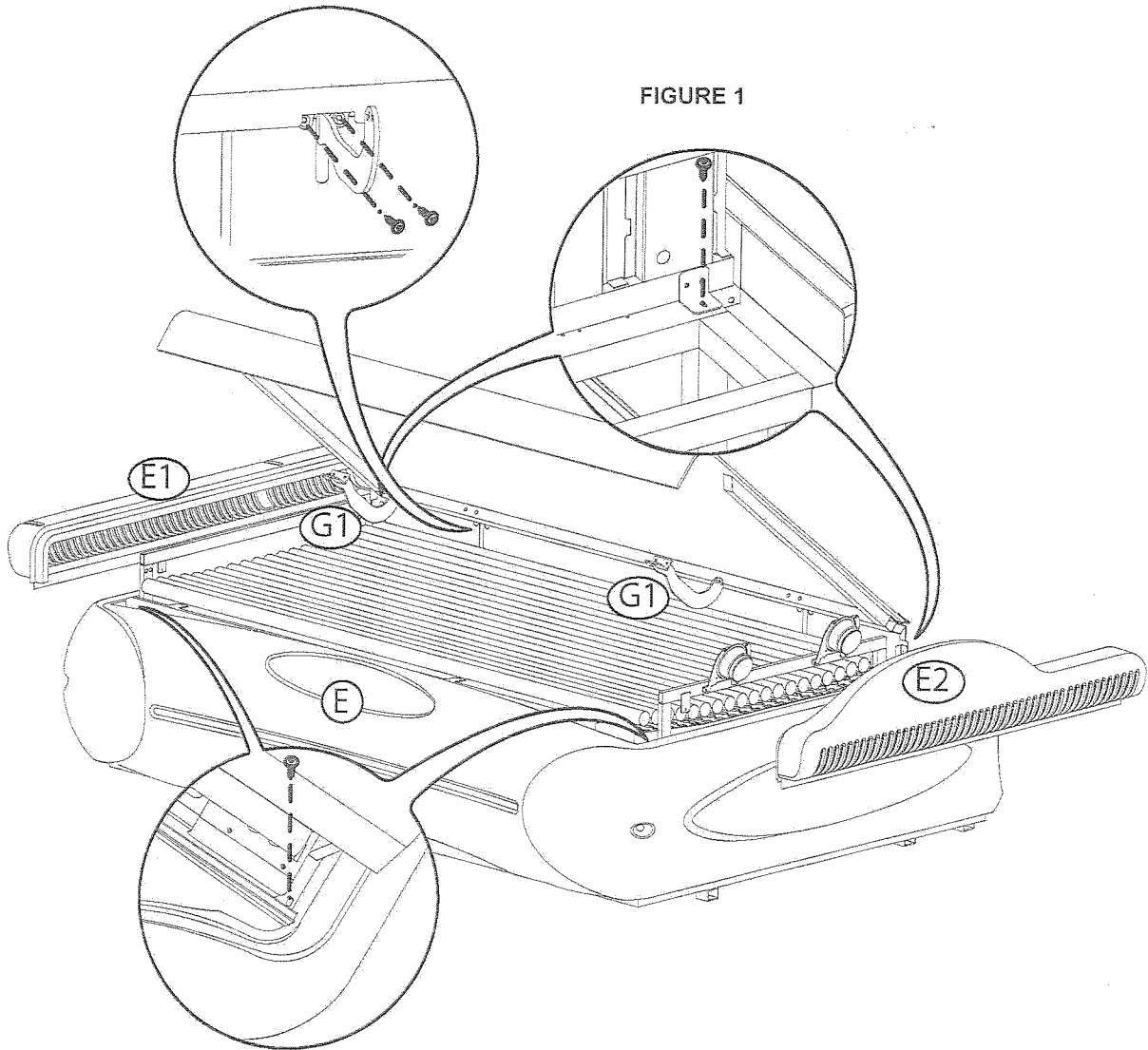


FIGURE 2

TABLE 1A

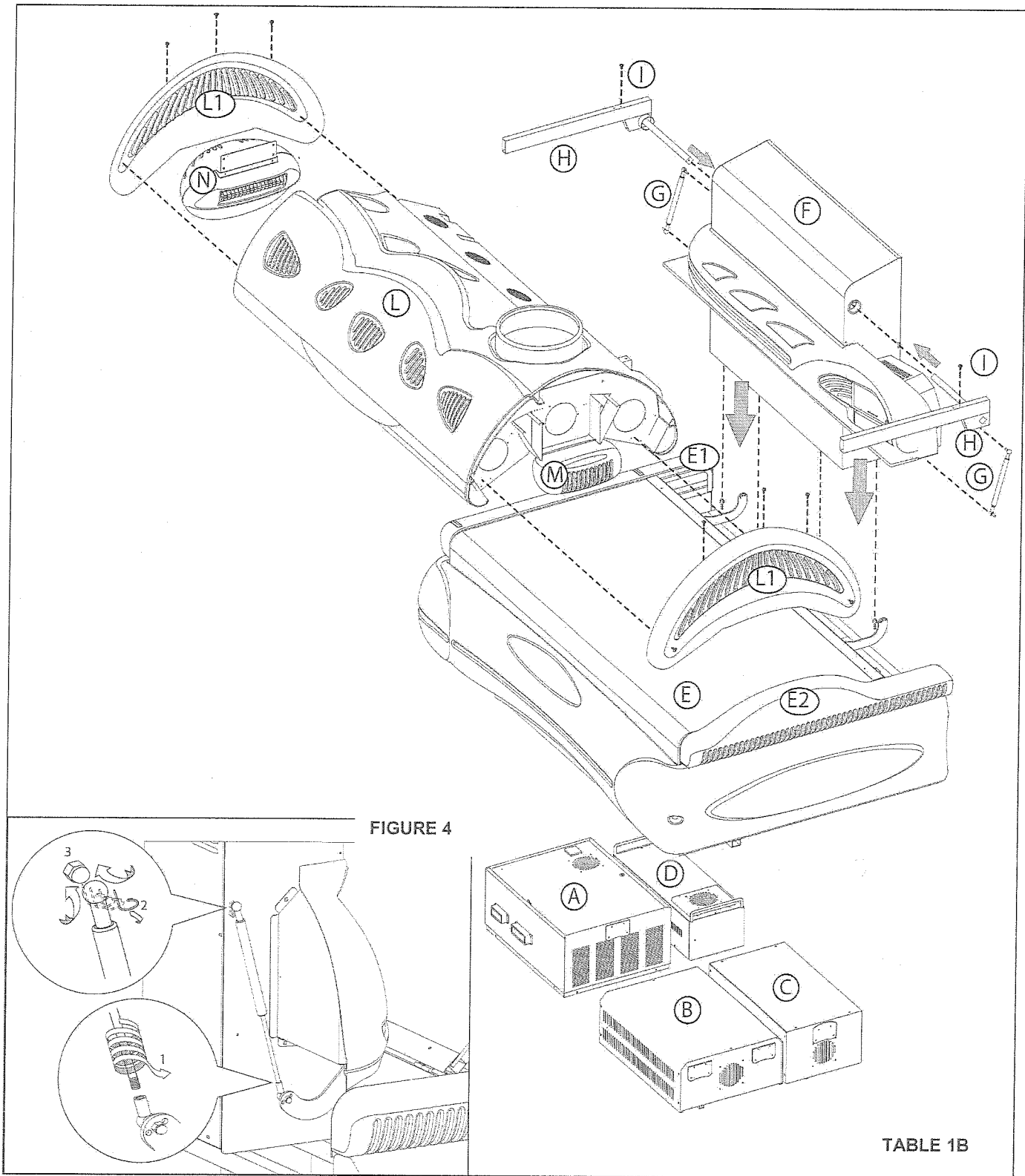


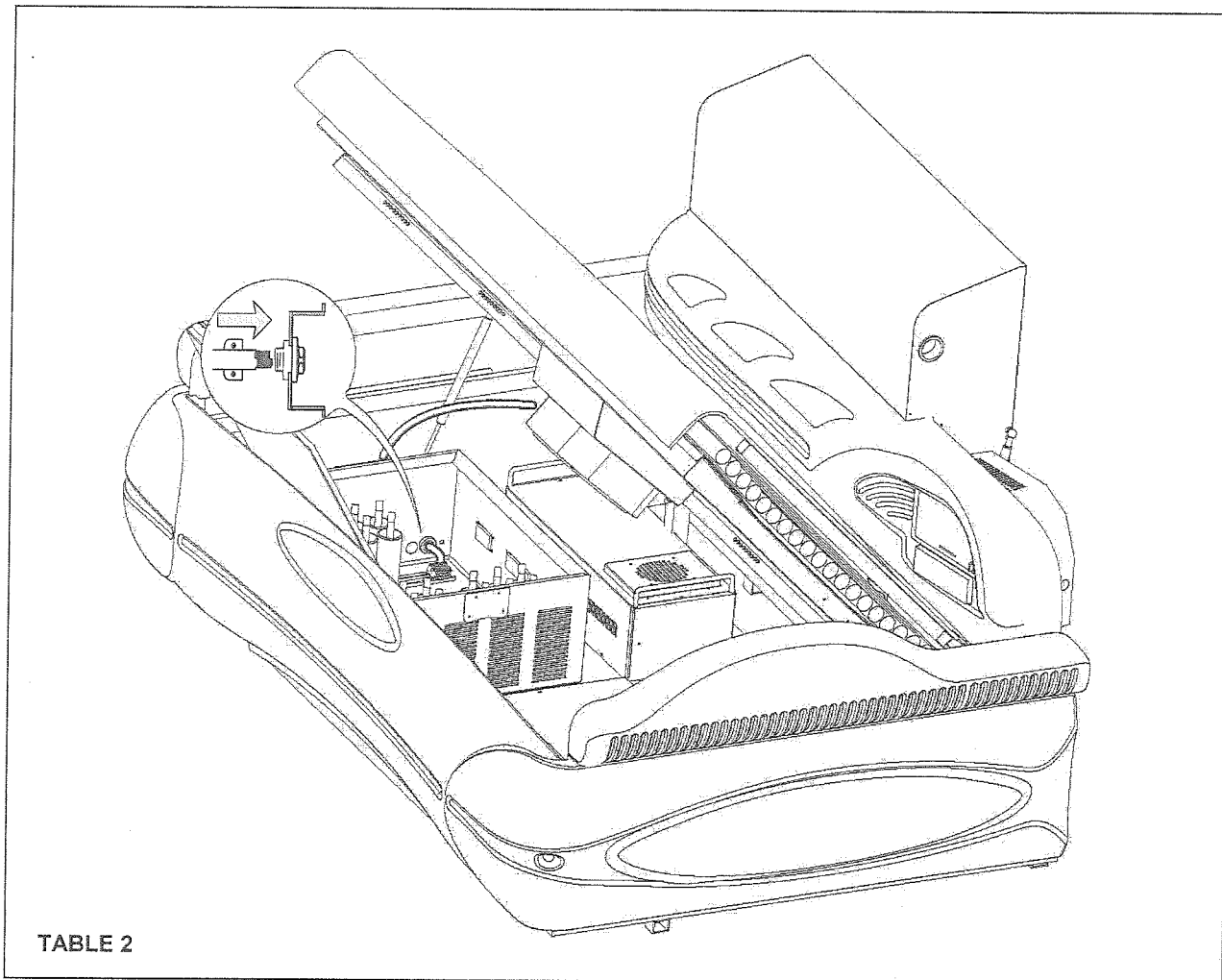
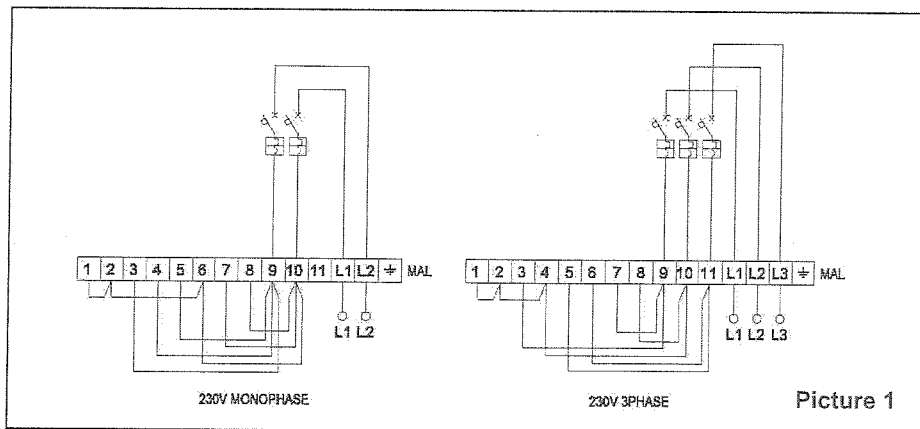
FIGURE 4

TABLE 1B

4.4 VOLTAGE CHANGE

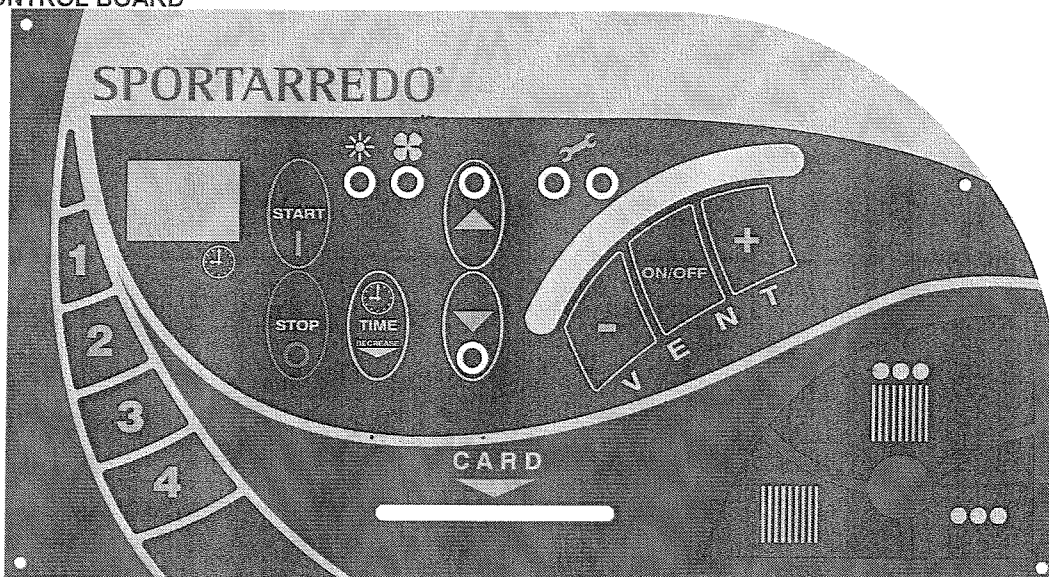
To enter the terminal board for power supply placed inside the basement (control cassette), make reference to Picture 1.

IMPORTANT!
ALWAYS DISCONNECT THE MACHINE
FROM THE POWER SUPPLY BY
PRESSING THE SWITCH BREAKER
BEFORE CARRYING OUT
MAINTENANCE



5 - USE

5.1 CONTROL BOARD



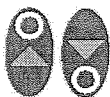
Pushing this button you start the tanning treatment.



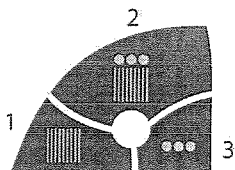
When the STOP button is pressed, the tanning lamps are switched off and the upper section moves upwards. The tanning session is concluded.



The time button is used to decrease the duration of the treatment after the unit has been turned on. At each pressure of the button there's a decrease of 1 minute. May be used by authorised personnel only.



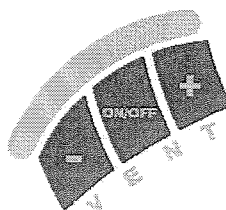
When this button is pressed, the upper section descends to the normal operating position. Downward movement of the head is controlled by impulses; if the button is released, the downward movement is interrupted.



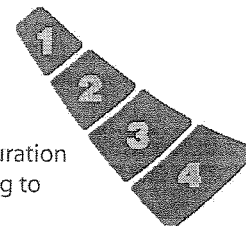
SELECTOR

- 1 - Switches on of lamps, canopy and bed except the face.
- 2 - Switches on of all the lamps.
- 3 - Switches on the facial lamps.

Selection of the lamps must be made by the qualified personnel of the tanning centre and must be set before the session.



The buttons marked "+" or "-" may be used to increase or decrease the power of the fan.



Through the buttons 1-2-3-4 the duration of the treatment is set out according to the customer skin type.



This lamp lights when the appliance has been operated for 100 hours to indicate that routine maintenance must be performed.



This lamp lights when the appliance has been operated for 400 hours to indicate that it is necessary to call a qualified technician for special maintenance.

IMPORTANT!

MPT/4 electronic board permits to use the remaining time of a session in case of temporary interruption of power, with the relative "reset" of the unit. The remaining time will flash in the display: pushing the Start button you can use such time, while pushing the Stop button you set to zero such time and the unit is ready for a new session.

The machine is equipped with a radio/CD so that the client can listen to music during the tanning session. The use of headphones is recommended.

5.2 SAFETY OF THE PERSONS EXPOSED TO UV

Don't use the unit in case of filter damages and timer faults!

ATTENTION!
AN IMPROPER OR INCORRECT USE OF THE UNIT CAN CAUSE SERIOUS BODILY DAMAGES TO THE PERSON EXPOSED!

From a careful analysis, as specified in EN 60335-2-27, the precautions that must be observed are listed below.

- 1) If the client is undergoing treatment using medication, such as antibiotics or anti-inflammatory pharmaceuticals, it is advisable to suspend tanning sessions. In any case, it is advisable to consult a doctor.
- 2) Before a tanning session, the skin should be clean and free of cosmetics or perfumes.
- 3) Be sure not to exceed the exposure times selected by the staff of the tanning centre.
- 4) Always use the special protective eyewear. The eyes must under no circumstances remain open during the tanning session.
- 5) After each tanning session, it is advisable to apply a moisturising cream.

It's advisable to:

- Not exposure any part of the body more than one time per day.
- Not exposure to the unit and sun in the same day.
- Do not expose yourself to the appliance if you usually burn with normal sunlight or if you suffer from sun-rash.
- Do not make UV session in case of pregnancy. In any case please consult your own attending physician before making the session.
- Do not expose to UV immediately after depilation treatments.
- Do not expose children or adults that are prone to or are suffering (or have previously suffered) from skin neoplasia.
- Consult the physician if on the skin swellings, ulceration's or red spots appear.

ATTENTION!

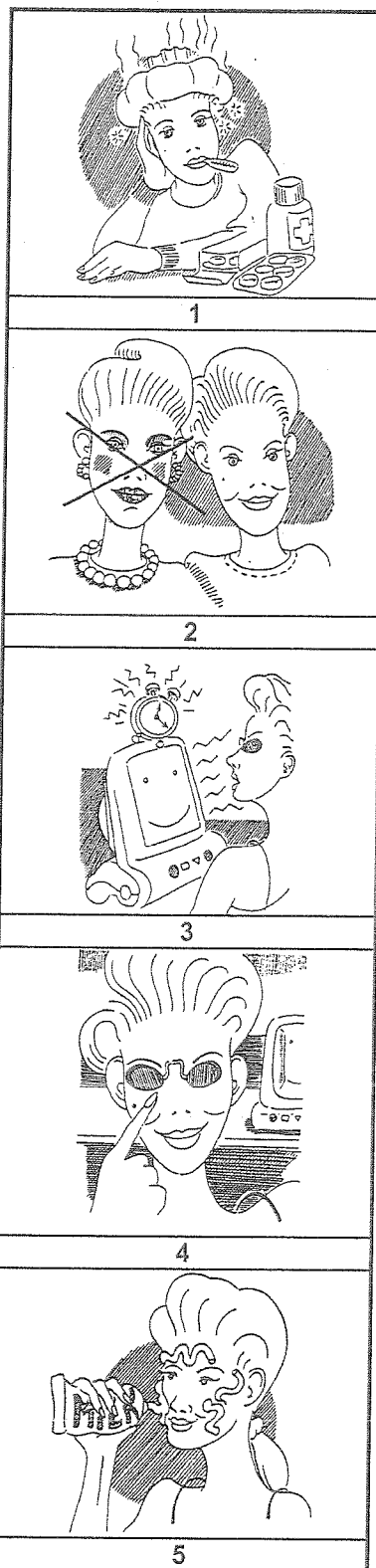
Ultraviolet radiation may cause injury to the eyes and skin, such as skin ageing and eventually skin cancer.

Read instructions carefully.

Wear the protective goggles provided.

Certain medicines and cosmetics may increase sensitivity.

A copy of the following warnings is supplied with the manuals and must be shown to the public close to the unit.



5.4 PROGRAMMING THE PRE-DEFINED SESSION TIMES

The electronic control of solarium permits to programme 4 pre-defined sessions time. Their programming should be carried out as follows:

Switch on the solarium and press the **Time** key and then key **2** in sequence and keep them pressed for about four seconds until P4 is displayed. With ventilation keys **+** or **-** choose the function to be modified or displayed.

Parameters	Display	Value
Session time in minutes for skin type 4	P4	1-40
Session time in seconds for skin type 4	S4	0-59
Session time in minutes for skin type 3	P3	1-P4
Session time in seconds for skin type 3	S3	0-59
Session time in minutes for skin type 2	P2	1-P3
Session time in seconds for skin type 2	S2	0-59
Session time in minutes for skin type 1	P1	1-P2
Session time in seconds for skin type 1	S1	0-59

P4-SESSION TIME IN MINUTES FOR SKIN TYPE 4. IV (Mediterranean).

The **start** key displays the data relating to the function to be modified or read.

The ventilation keys **+** or **-** modifies the value according to the table.

The **stop** key confirms the value and exits the function.

The next function, i.e. S4, is displayed.

S4-SESSION TIME IN SECONDS FOR SKIN TYPE 4. IV (Mediterranean).

The same procedure as per function P4 is repeated.

When exiting, P3 is displayed.

P3- SESSION TIME IN MINUTES FOR SKIN TYPE 3. III (European dark skin).

The same procedure as per function P4 is repeated.

When exiting, S3 is displayed.

S3- SESSION TIME IN SECONDS FOR SKIN TYPE 3. III (European dark skin).

The same procedure as per function P4 is repeated.

When exiting, P2 is displayed.

P2- SESSION TIME IN MINUTES FOR SKIN TYPE 2. II (European fair skin).

The same procedure as per function P4 is repeated.

When exiting, S2 is displayed.

S2- SESSION TIME IN SECONDS FOR SKIN TYPE 2. II (European fair skin).

The same procedure as per function P4 is repeated.

When exiting, P1 is displayed.

P1- SESSION TIME IN MINUTES FOR SKIN TYPE 1. I (Celtic).

The same procedure as per function P4 is repeated.

When exiting, S1 is displayed.

S1- SESSION TIME IN SECONDS FOR SKIN TYPE 1. I (Celtic).

The same procedure as per function P4 is repeated.

When exiting, rF is displayed.

**At this point, programming has been completed.
To return to normal operation, switch off and reset.**

The pre-defined session times by the manufacturer are consistent with those indicated on the recommended exposure programs.

At each pressure of the "time decrease" button, the initial session time will be decreased of 1 minute; pushing again you can obtained in a decreasing way all the session times scheduled by the exposure programs.

SKIN TYPE SUBDIVISION		
SKIN TYPE	DESCRIPTION	INDICATION
I	Skin: extremely clear; lentigo: marked; hair: reddish; eyes: blue, rarely brown; nipples: very light.	Celtic type
II	Skin: just a little bit dark; lentigo: rare; hair: from blond to light brown; eyes: blue, green, grey; nipples: light.	European with clear skin
III	Skin: clear-light brown, rosy; lentigo: absent; hair: dark blond, light brown; eyes: grey, brown; nipples darker.	European with dark skin
IV	Skin: light brown, olive complexion; lentigo: absent; hair: dark brown; eyes: dark; nipples: dark.	Mediterranean type

6 - ORDINARY MAINTENANCE MADE BY THE CUSTOMER

6.1 ORDINARY MAINTENANCE

IMPORTANT!
ALWAYS DISCONNECT THE MACHINE FROM THE POWER SUPPLY BY PRESSING THE BREAKER SWITCH BEFORE CARRYING OUT MAINTENANCE

IMPORTANT!
USE ONLY THE DISINFECTANT CLEANSING THE TRANSPARENT AND BLUE COBALT FILTERS
N.B. DO NOT USE ALCOHOL OR ALCOHOL-BASED PRODUCTS FOR CLEANING

REMOVING AND CLEANING THE TRANSPARENT AND BLUE COBALT FILTERS

To make the cleaning of the filters it's necessary to make as follows on Figure 3-4.

CHECK OF THE BLUE COBALT FILTER

To prevent the exposition to bad rays it's important to check the good conditions of the blue cobalt filters and the fixing condition to the metallic frame. If breaks or cracks are present do not use the equipment and call for a skilled technician maintenance.

CLEANING THE TRANSPARENT AND BLUE COBALT FILTERS

Clean the filters internally and externally using a 50% solution of water and denatured alcohol.

IMPORTANT!
USE ONLY THE DISINFECTANT CLEANSING MULTYSAN TO CLEAN THE ACRYLIC

ANY TAMPERING WITH THE APPLIANCE OR THE USE OF NON-ORIGINAL MATERIAL OR PARTS MAY LEAD TO INJURY. IN SUCH CASES, THE MANUFACTURER DECLINES ALL CIVIL AND PENAL LIABILITY, AND THE WARRANTY SHALL AUTOMATICALLY BE CONSIDERED NULL AND VOID.

FILTERS USED IN THIS APPLIANCE:

Cobalt filter 230x75mm
Superlux filter TR-T 235x290mm
TMP filter 235x290mm

REFLECTORS USED IN THIS APPLIANCE:

KF630L - 1530L



PILOT LAMP FOR ROUTINE MAINTENANCE

This lamp lights when the appliance has been operated for 100 hours this means that routine maintenance, consisting of cleaning of internal and external filters of the appliance, should be carried out.

The luminous signal is turned off by the following procedure:

- press key **Time** and **1** at the same time, until the pilot lamp **PL** appears;
- press key **Start** (the point disappears);
- press again key **Start** (PL flashing);

Now the resetting procedure begins and is shown by the fast flashing of the pilot lamp.

When the flashing stops, **PL** appears again;

- to return the machine to normal operational status, turn the electrical power off and then back on.

The resetting procedure is finished.

This procedure should be carried out with the appliance in pause mode.

CLEANING THE CANOPY FILTERS

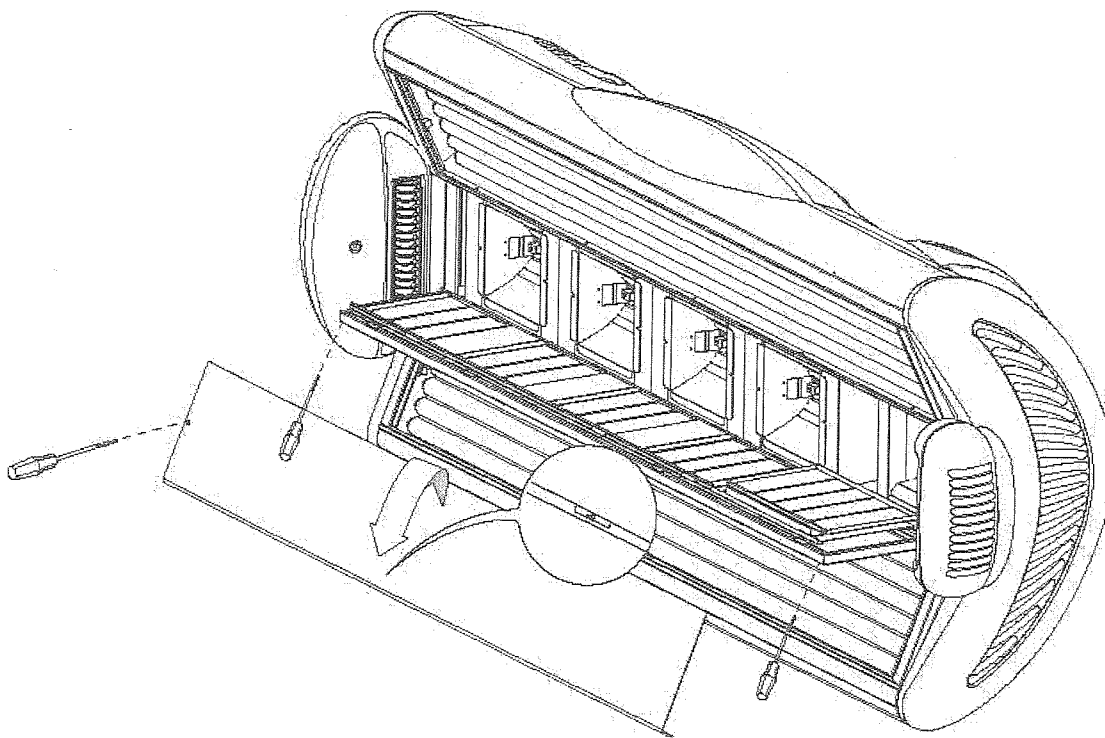


TABLE 3

CLEANING THE LAMPS AND ACRYLIC BED

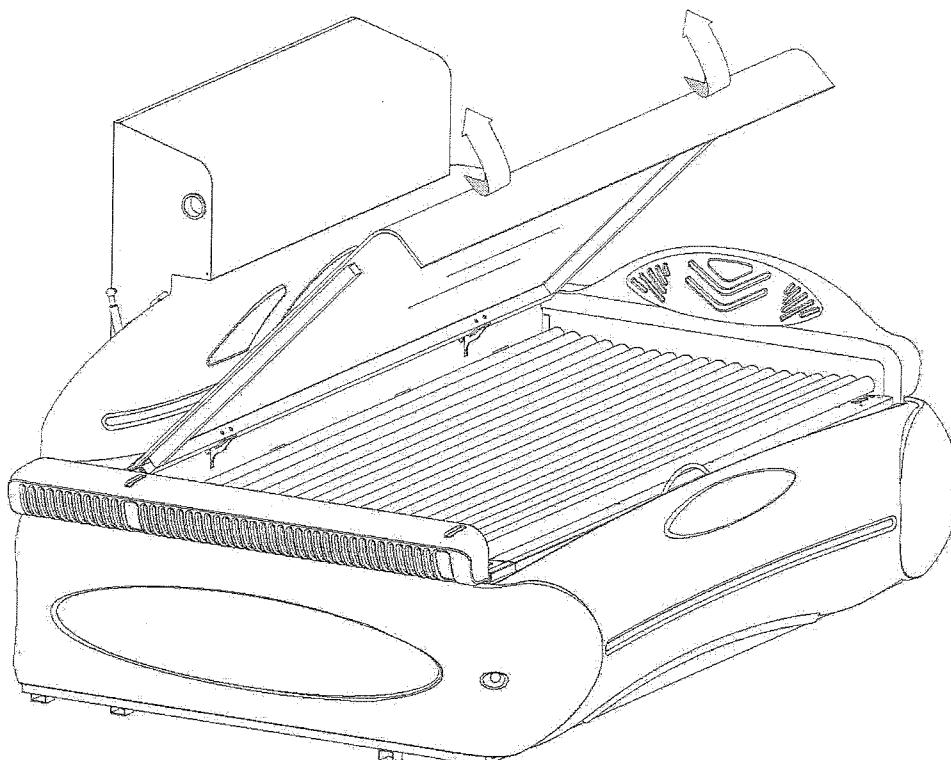


TABLE 4

CLEANING THE AIR FILTERS

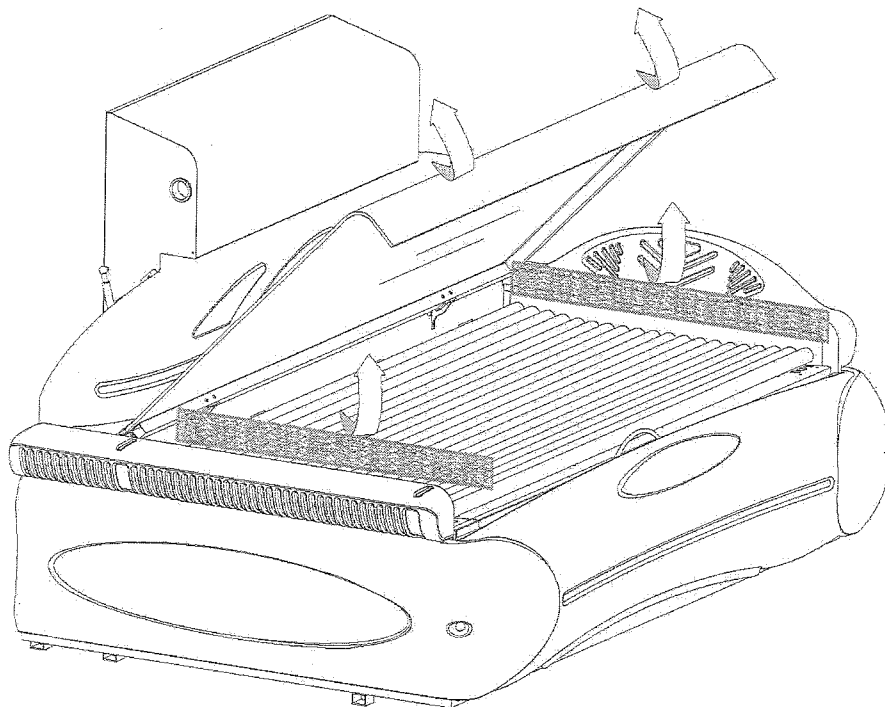
**THE FILTERS SHOULD BE CLEANED EVERY
WEEK OF OPERATION**

The positions of the filters are shown in the Table 5 below.

Filters should be cleaned using a jet of compressed air or a vacuum cleaner as an alternative.

WARNING!

When you rise the acrylic to clean it or make the maintenance, a security device switches off the unit automatically. The feeding switches on again when the acrylic is lowered.

CLEANING THE AIR FILTERS**TABLE 5**

7 - EXTRAORDINARY MAINTENANCE MADE BY A SKILLED TECHNICIAN

7.1 EXTRAORDINARY MAINTENANCE



PILOT LAMP FOR SPECIAL MAINTENANCE

This lamp lights when the appliance has been operated for 400 hours this means that the following extraordinary maintenance operations should be carried out:

- Cleaning of internal and external filters.
- Replacement of the lamps.
- Check that the timer system is working correctly.
- Verify the correct operation of the standby batteries.
- Check that the SAFETY AND ACCIDENT PREVENTION instructions are legible and in satisfactory condition.
- Every 800 working hours replace the reflectors, the UV filters, the starters for the low-pressure lamps. Clean the fans and the inside of the machine.
- Every 1200 working hours replace the acrylics.

The luminous signal is turned off by following the procedure below:

- press key **Time** and **1** at the same time, until the pilot lamp **PL** appears;
- press key **+** appears **SL** ;
- press key **Start** (the point disappears);
- press again key **Start** (SL flashing);

Now the resetting procedure begins and is shown by the fast flashing of the pilot lamp.

When the flashing stops, **SL** appears again;

- to return the machine to normal operational status, turn the electrical power off and then back on.

The resetting procedure is finished.

This procedure should be carried out with the appliance in pause mode.

7.2 PERIODIC CONTROL PROCEDURES

Electrical checks. Check that the electrical safety devices, and the acoustic/illuminated signal devices and alarms are undamaged and that they function correctly. Check that the equipment and devices in the electrical control box are in satisfactory condition.

Standby batteries for raising the canopy.

The standby batteries have a limited duration and should be replaced after 1000 hours (or three years) of installation.

The useful life of the batteries depends to the use conditions and can decrease in special conditions of use.

Verify the correct operation of the batteries every change of lamps (400 hours) and fit the unit with new batteries in case of malfunction.

How to verify the operation: put the canopy of the unit down and **DISCONNECT** the machine from the power supply by pressing the switch breaker. With batteries in good conditions and with no power, the canopy must raise.

These checks must be performed by qualified personnel.

IMPORTANT!
ALWAYS DISCONNECT THE MACHINE FROM THE POWER SUPPLY BY PRESSING THE BREAKER BEFORE CARRYING OUT MAINTENANCE

IMPORTANT!
USE ONLY THE DISINFECTANT CLEANSING THE TRANSPARENT AND BLUE COBALT FILTERS
N.B. DO NOT USE ALCOHOL OR ALCOHOL-BASED PRODUCTS FOR CLEANING

CHECK OF THE BLUE COBALT FILTER

To prevent the exposition to bad rays it's important to check the good conditions of the blue cobalt filters and the fixing condition to the metallic frame. If breaks or cracks are present do not use the equipment and call for a skilled technician maintenance.

CLEANING THE BLUE COBALT FILTERS

Clean the filters internally and externally using a 50% solution of water and denatured alcohol.

IMPORTANT!
USE ONLY THE DISINFECTANT CLEANSING MULTYSAN TO CLEAN THE ACRYLIC

WARNING!

When you rise the acrylic to clean it or make the maintenance, a security device switches off the unit automatically. The feeding switches on again when the acrylic is lowered. See Table 5.

ANY TAMPERING WITH THE APPLIANCE OR THE USE OF NON-ORIGINAL MATERIAL OR PARTS MAY LEAD TO INJURY. IN SUCH CASES, THE MANUFACTURER DECLINES ALL CIVIL AND PENAL LIABILITY, AND THE WARRANTY SHALL AUTOMATICALLY BE CONSIDERED NULL AND VOID.

REMOTE CONTROLS

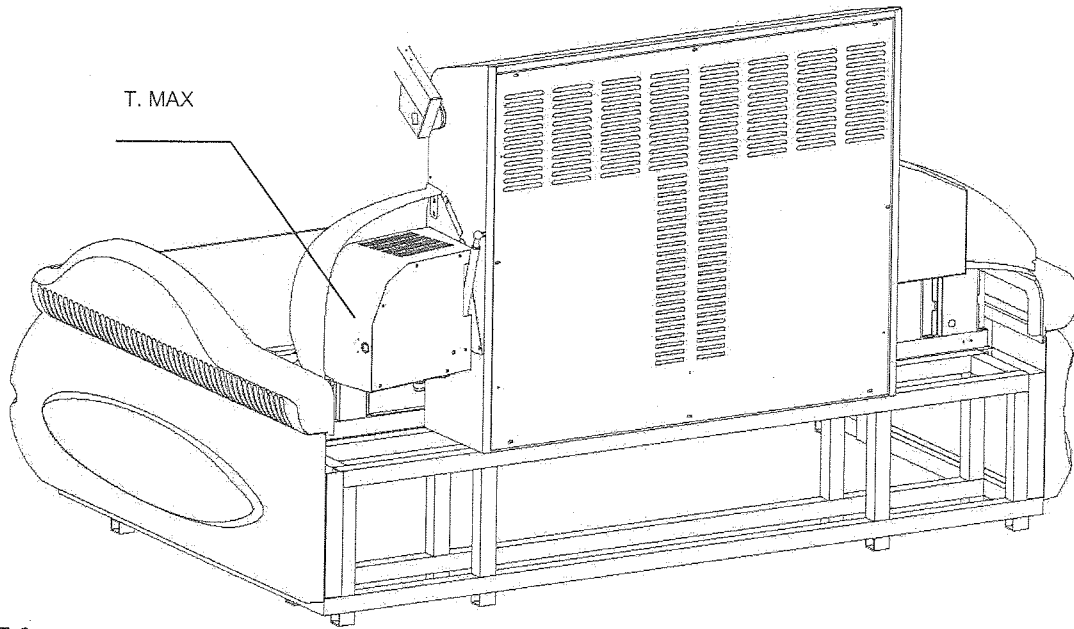


TABLE 6

REPLACING THE FACE COOLING FANS - HOT AIR EXHAUST FAN

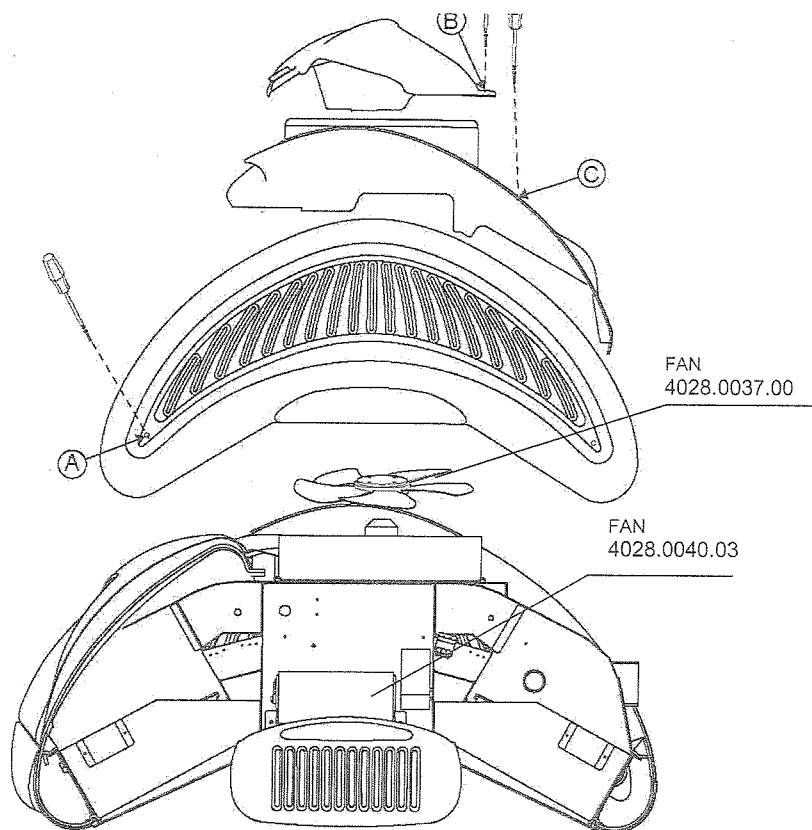


TABLE 7

REPLACING THE CANOPY COOLING FANS

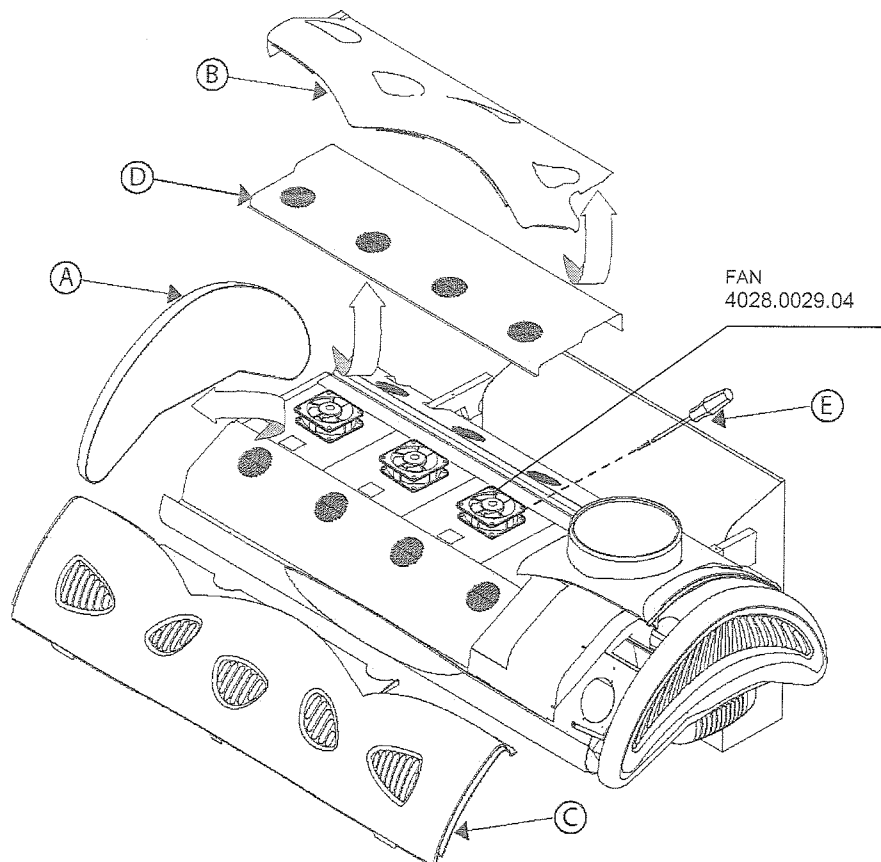


TABLE 8

REPLACING THE CANOPY LAMPS AND REFLECTOR

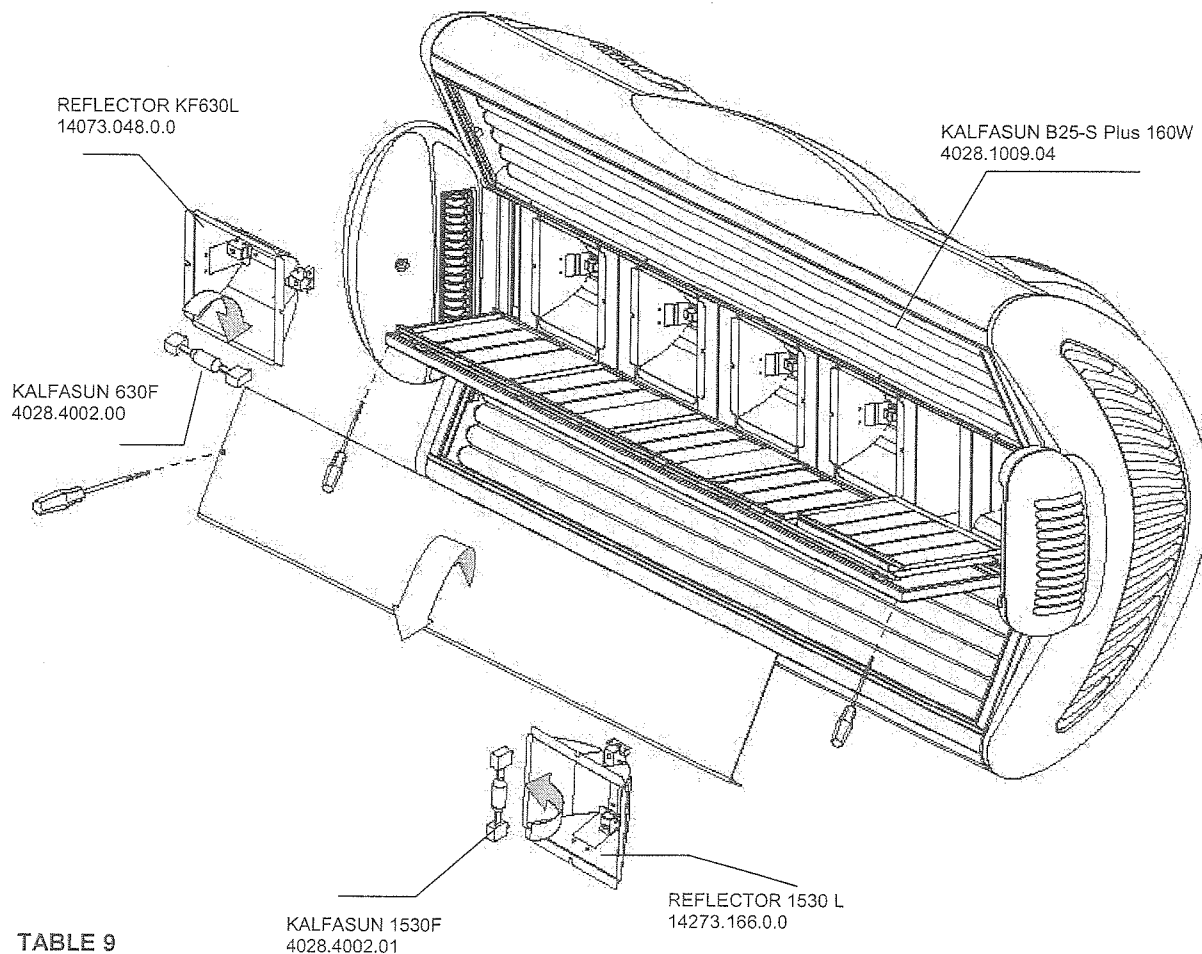


TABLE 9

REPLACING THE BED LAMPS

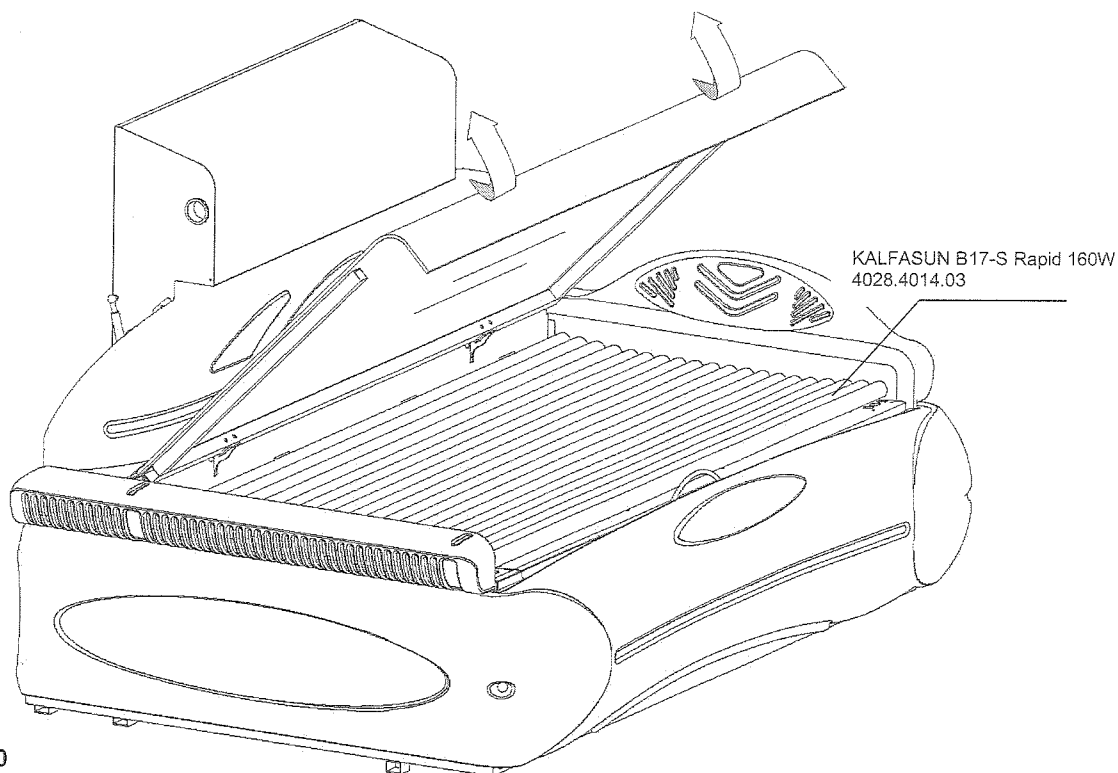


TABLE 10

ACTUATOR SUBSTITUTION FOR LOWERING THE CANOPY

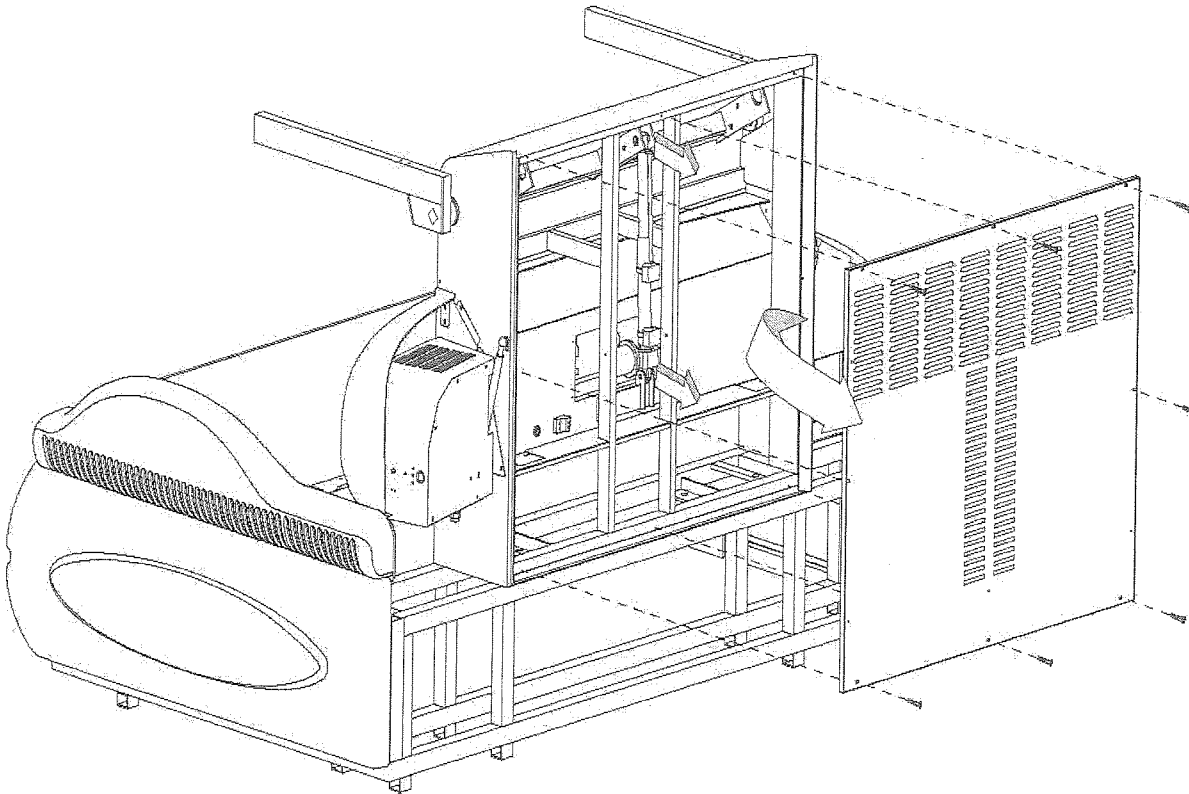
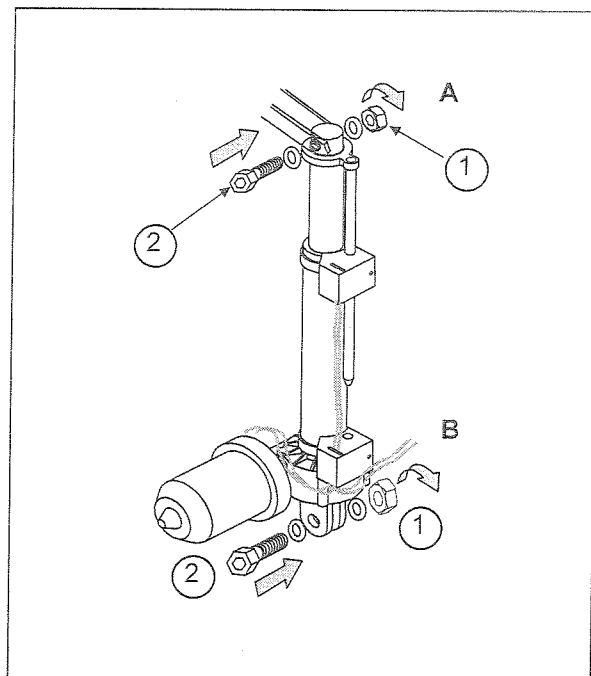


TABLE 11

PERFORM THIS PROCEDURE IN STRICT ALPHABETICAL SEQUENCE

ACTUATOR SUBSTITUTION FOR LOWERING THE CEILING

- Remove the screws and remove the panel from the lateral.
- Disconnect the feeding connector (3 poles black) of the actuator.
- Support the ceiling.
- Unscrew the block **A** and release the screw nut.
- Unscrew the block **B**, release the screw nut and release the actuator.
- Replace the actuator with an approved original spare part cod. 4027.0010.05.
- To assemble the part act the opposite procedure, by paying attention to connect the 3 poles black connector of the actuator.



8 - CONTROL BOARD PROGRAMMING

8.1 PROGRAMMING

Functions (firmware 1.3)	Display	Value	Standard
Session time in minutes for skin type 4	P4	1-40	*
Session time in seconds for skin type 4	S4	0-59	*
Session time in minutes for skin type 3	P3	1-P4	*
Session time in seconds for skin type 3	S3	0-59	*
Session time in minutes for skin type 2	P2	1-P3	*
Session time in seconds for skin type 2	S2	0-59	*
Session time in minutes for skin type 1	P1	1-P2	*
Session time in seconds for skin type 1	S1	0-59	*
Lamp cooling minutes	rF	3-8	*
Value of body ventilation at session start	bl	0-8	6
Value of body ventilation during cooling stage	bF	0-8	*
Minimum body ventilation	bd	0-8	0
Maximum body ventilation	bu	0-8	8
Type of body cooling ventilation: 0=fan 1=turbo	bt	0-1	0
Minutes for first coin	Pb	1-3	3
Time in seconds for first coin	Sb	0-59	0
Minutes for subsequent coin or accumulation of coins	Pu	1-3	3
Seconds for subsequent coin or accumulation of coins	Su	0-59	0
How to use	Ac	On-OFF	OF
Minutes for start delay and accumulation of coin	rS	0-99	0
Start key on keypad.	tS	On-OFF	On
Delay stop on keypad	SS	On-OFF	Of
Function face/body selector	St	On-OFF	Of
Priority external start	SE	On-OFF	On
External start function	CS	On-OFF	Of
Relay control on CBR/4	Cb	0-3	0
Delay CBR/4 relay deactivation when start button is loosed	Ct	mSx10	10
** Buzzer enable	b	On-OFF	On
** Mid session buzzer enable	b2	On-OFF	On
Session time display	uS	On-OFF	On
Ascending or descending session time display	AS	On-OFF	OF
Operating mode predefined	tF	0-6	0
Residual time to black-out	tr	On-OFF	On
1 st Vocal message	n1	On-OFF	On
2 nd Vocal message	n2	On-OFF	On
3 rd Vocal message	n3	On-OFF	On
4 th Vocal message	n4	On-OFF	OF
Choice language of the messages	Li	1-6	1

* Value depends on the solarium.

**Only for MPT/4 control board

To modify or read the basic parameters of the MPT/4 or TRS/4 card, programming should be carried out as follows:

Switch on the solarium and press the **Time** key and then key **2** in sequence and keep them pressed for about four seconds until P4 is displayed.

With ventilation keys + or - choose the function to be modified or displayed.

P4-SESSION TIME IN MINUTES FOR SKIN TYPE 4.

IV (Mediterranean).

The **start** key displays the data relating to the function to be modified or read.

The ventilation keys + or - modifies the value (or logic status) according to the table.

The **stop** key confirms the value and exits the function.

The next function, i.e. S4, is displayed.

S4-SESSION TIME IN SECONDS FOR SKIN TYPE 4.

IV (Mediterranean).

The same procedure as per function P4 is repeated.

When exiting, P3 is displayed.

P3- SESSION TIME IN MINUTES FOR SKIN TYPE 3.

III (European dark skin).

The same procedure as per function P4 is repeated.

When exiting, S3 is displayed.

S3- SESSION TIME IN SECONDS FOR SKIN TYPE 3.

III (European dark skin).

The same procedure as per function P4 is repeated.

When exiting, P2 is displayed.

P2- SESSION TIME IN MINUTES FOR SKIN TYPE 2.

II (European fair skin).

The same procedure as per function P4 is repeated.

When exiting, S2 is displayed.

S2- SESSION TIME IN SECONDS FOR SKIN TYPE 2.

II (European fair skin).

The same procedure as per function P4 is repeated.

When exiting, P1 is displayed.

P1- SESSION TIME IN MINUTES FOR SKIN TYPE 1. I

(Celtic).

The same procedure as per function P4 is repeated.

When exiting, S1 is displayed.

S1- SESSION TIME IN SECONDS FOR SKIN TYPE 1.

I (Celtic).

The same procedure as per function P4 is repeated.

When exiting, rF is displayed.

rF-LAMP COOLING MINUTES.

When rF is displayed, the same procedure as per function P4 is repeated.

When exiting, bl is displayed.

bl-VALUE OF BODY VENTILATION AT SESSION START.

When bl is displayed, the same procedure as per function P4 is repeated.

When exiting, bF is displayed.

bF- VALUE OF BODY VENTILATION DURING COOLING STAGE.

When bF is displayed, the same procedure as per function P4 is repeated.

When exiting, bd is displayed.

bd-MINIMUM BODY VENTILATION.

When bd is displayed, the same procedure as per function P4 is repeated.

When exiting, bu is displayed.

bu-MAXIMUM BODY VENTILATION.

When bu is displayed, the same procedure as per function P4 is repeated.

When exiting, bt is displayed.

bt-TYPE OF BODY COOLING VENTILATION.

Enter function bt by pressing the start key. The display shows 0 (fan) or 1 (turbo). Change to 0 or 1, depending on the body cooling fan that is installed in the solarium, by following the same procedure as per function P4.

When exiting, Pb is displayed.

Pb-MINUTES FOR FIRST COIN.

When Pb is displayed, the minutes for start of session with coin can be modified by following the same procedure as per function P4.

When exiting, Sb is displayed.

Sb-TIME IN SECONDS FOR FIRST COIN.

When Sb is displayed, the seconds for start of session with coin can be modified by following the same procedure as per function P4.

When exiting, Pu is displayed.

Pu-MINUTES FOR SUBSEQUENT COIN OR ACCUMULATION OF COINS.

When Pu is displayed, the minutes for start of session with subsequent coins or accumulation of coins can be modified by following the same procedure as per function P4.

When exiting, Su is displayed.

Su-SECONDS FOR SUBSEQUENT COIN OR ACCUMULATION OF COINS.

When Su is displayed, the seconds for start of session with subsequent coins or accumulation of coins can be modified by following the same procedure as per function P4.

When exiting, Ac is displayed.

Ac-COIN ACCUMULATION FUNCTION.

When Ac is displayed, accumulation of coins is enabled (On) or disabled (OF) by following the same procedure as per function P4.

This function is operative if rS is other than 0.

When exiting, rS is displayed.

rS- MINUTES FOR START DELAY AND ACCUMULATION OF COIN.

When rS is displayed, the session start time delay can be modified by following the same procedure as per function P4.

If, for example, the value of this function is 2, the solarium starts after 2 minutes from pressing the start key. If the start key is pressed again, the solarium starts immediately.

If, however, the value is set to 99, the solarium remains in stand-by.

When exiting, tS is displayed.

tS- START KEY ON KEYPAD.

When tS is displayed, the start key on the keypad can be enabled (On) or disabled (OF) by following the same procedure as per function P4.

When exiting, SS is displayed.

SS - DELAY STOP ON KEYPAD

When SS is displayed, the stop key on the keypad can be delayed for 3 seconds (On) or normally operated (OF) by following the same procedure as per function P4.

When exiting, St is displayed.

St - FUNCTION FACE/BODY SELECTOR

When St is displayed, the face/body selector on the keypad can be disabled before Start (OF) or enabled during the session (On) by following the same procedure as per function P4.

When exiting, SE is displayed.

SE- PRIORITY EXTERNAL START.

When SE is displayed, the priority external start on the keypad can be enabled (On) or disabled (OF) by following the same procedure as per function P4.

When exiting, CS is displayed.

CS - EXTERNAL START FUNCTION

When CS is displayed, the external button to the Start can be disabled through a bridge (OF) or enabled without a bridge (On) by following the same procedure as per function P4.

When exiting, Cb is displayed.

Cb- RELAY CONTROL ON CBR/4.

Enter function Cb by pressing the start key. With ventilation keys + or - choose the function to be modified or displayed:

00 - CBR/4 relay disabled.

01 - The relay the contacts RUNN (7-8) on the CBR/4 board when the unit makes the session.

02 - The relay closes the contacts RUNN (7-8) on the CBR/4 board when the unit makes the session and final ventilation.

03 - The relay closes the contacts RUNN (7-8) on the CBR/4 board when the key start is pushing.

When exiting, Ct is displayed.

Ct-DELAY CBR/4 RELAY DISACTIVATION WHEN START BUTTON IS LOOSED

When Ct is displayed, the function to modify the delay (on milliseconds) of the relay CBR/4 disable activation can be obtained when the START button is loosed only with Cb at point 03 and with the same procedure as per function P4.

When exiting, b is displayed.

b- BUZZER ENABLE.

When b is displayed, the card loud speaker can be enabled (On) or disabled (OF) by following the same procedure as per function P4.

When exiting, b2 is displayed.

b2- MID SESSION BUZZER ENABLE.

When b2 is displayed, the card loud speaker is enabled (On) or disabled (OF) half-way through the session by following the same procedure as per function P4.

When exiting, uS is displayed.

uS-SESSION TIME DISPLAY.

When uS is displayed, the solarium session time can be enabled (On) or disabled (OF) by following the same procedure as per function P4.

When exiting, AS is displayed.

AS-ASCENDING OR DESCENDING SESSION TIME DISPLAY.

When AS is displayed, the time in ascending (On) or descending (OF) mode can be visualised by following the same procedure as per function P4.

When exiting, tF is displayed.

tF - OPERATING MODE PREDEFINED

Enter function tF by pressing the start key. With ventilation keys + or - choose the function to be modified or displayed:

00 - Operating mode standard or default.

01 - Operating mode with CARD without the choice of skin type and price for session.

02 - Operating mode with CARD and price for time to definition.

03 - Operating mode with CARD with the choice of skin type and price for session.

04 - Operating mode with external timer.

05 - Operating mode with computer (external control).

06 - Operating mode with CARD with the time price (dynamic charge).

When exiting, tr is displayed.

tr - RESIDUAL TIME TO BLACK-OUT

When tr is displayed, the function to memorize (On) or enable (OF) the residual time is on if a black-out occurs during the session with the same procedure as per function P4.

When exiting, n1 is displayed.

n1-FIRST VOCAL MESSAGE.

When n1 is displayed, the vocal message can be enabled (On) or disabled (OF) by following the same procedure as per function P4.

When exiting, n2 is displayed.

n2-SECOND VOCAL MESSAGE.

When n2 is displayed, the vocal message can be enabled (On) or disabled (OF) by following the same procedure as per function P4.

When exiting, n3 is displayed.

n3-THIRD VOCAL MESSAGE.

When n3 is displayed, the vocal message can be enabled (On) or disabled (OF) by following the same procedure as per function P4.

When exiting, n4 is displayed.

n4-FOURTH VOCAL MESSAGE.

When n4 is displayed, the vocal message can be enabled (On) or disabled (OF) by following the same procedure as per function P4.

When exiting, Li is displayed.

LI-CHOICE LANGUAGE OF THE MESSAGES.

When Li is displayed, choose one of the 6 languages by following the same procedure as per function P4.

01=Italiano
 02=English
 03=Español
 04=Greek
 05-06=free

When exiting, P4 is displayed.

**At this point, programming has been completed.
 To return to normal operation, switch off and reset.**

Maintenance functions	Display
To zero for filter cleaning	PL.
To zero for bulb replacement	SL.
Display of number of sessions	nS.
Display of lamp operating hours	oL.
Display of filter operating hours	oF.
Display of total solarium operating hours	oS.
Display of firmware card date	dC.

To modify or read the maintenance functions of the MPT/4 or TRS/4 card, programming should be carried out as follows:

Switch on the solarium and press the **Time** key and then key **1** in sequence and keep them pressed for about four seconds until PL is displayed. With ventilation keys + or - choose the function to be modified or displayed.

PL- TO ZERO FOR FILTER CLEANING

When PL. is displayed, press start to enter the function. PL without the point is displayed. Press the start key again and the display flashes for a few seconds. At this point the hours are zeroed and the associated lamp switches off. Press the stop key to confirm the data. By pressing ventilation key + the following SL function is displayed

SL- TO ZERO FOR BULB REPLACEMENT

When SL. is displayed, press start to enter the function. SL without the point is displayed. Press the start key again and the display flashes for a few seconds. At this point the hours are zeroed and the associated lamp switches off. Press the stop key to confirm the data. By pressing ventilation key + the following nS function is displayed

nS- DISPLAY OF NUMBER OF SESSIONS.

When nS is displayed, press start to enter the function. The format of the data displayed is as follows:

position ". " number

position: indicates the value of the figure. E.g.: 1 for units, 2 for tens, 3 for hundreds ...and so on.

number: indicates the value of the figure relating to the position.

E.g.: the card has carried out 008594 sessions.
 When pressing the start key, the display shows 1.4
 When pressing the start key again 2.9
 When pressing the start key again 3.5
 When pressing the start key again 4.8
 Therefore, the figure is 8594

If the start key is pressed again, the display again shows the data indicated in position 1.

Note: even if the card memorises a maximum of 6 figures, the zeros on the left-hand side are not displayed.

Press the stop key to exit the function and oL is displayed.

oL- DISPLAY OF LAMP OPERATING HOURS.

When oL is displayed, press start to enter the function. The number of lamp operating hours is displayed. To read the number, repeat the same sequence as per function nS. Press the stop button to exit the function and oF is displayed.

oF- DISPLAY OF FILTER OPERATING HOURS.

When oF is displayed, press start to enter the function. The number of filter operating hours is displayed. To read the number, repeat the same sequence as per function nS. Press the stop button to exit the function and oS is displayed.

oS- DISPLAY OF TOTAL SOLARIUM OPERATING HOURS.

When oS is displayed, press start to enter the function. The total number of solarium operating hours is displayed. To read the number, repeat the same sequence as per function nS. Press the stop button to exit the function oS. When exiting, dC is displayed.

dC- DISPLAY OF FIRMWARE (software microcontroller) CARD DATE.

When dC is displayed, press start to enter the function. The year and then the week of the firmware is displayed.

E.g.:

When pressing the start key, the display shows	1.4
When pressing the start key again	2.0
When pressing the start key again	3.4
When pressing the start key again	4.3

Therefore, the figure is 3404. In practice the firmware is of the 34th week of year 2004.

If the start key is pressed again, the display again shows the data indicated in position 1.

Press the stop key to exit the dC function. When exiting, PL is displayed.

At this point, programming has been completed.

To return to normal operation, switch off and reset.

MPT/4 CIRCUIT BOARD TERMINALS: NUMBERING AND DESCRIPTION

1 = POWER SUPPLY PHASE
 2 = POWER SUPPLY NEUTRAL
 3 = CONTROL PHASE FOR FIRST LAMP SWITCH-ON
 4 = CONTROL PHASE FOR SECOND LAMP SWITCH-ON
 5 = CONTROL PHASE FOR LAMP COOLING FANS
 6 = CONTROL PHASE FOR ADJUSTABLE BODY-COOLING VENTILATION
 7 = COMMON CONTACT FOR ASCENT
 8 = NC CONTACT FOR ASCENT
 9 = NA CONTACT FOR ASCENT
 10 = COMMON CONTACT FOR DESCENT
 11 = NC CONTACT FOR DESCENT
 12 = NA CONTACT FOR DESCENT
 13 = COMMON
 14 = ENABLE START
 15 = START
 16 = STOP
 17 = COMMON.
 18 = SELECTOR 1
 19 = SELECTOR 2
 20 = SERIAL +
 21 = SERIAL -

9 - TROUBLESHOOTING AND RAPID DIAGNOSTICS

9.1 TROUBLESHOOTING AND RAPID DIAGNOSTICS

- **The solarium does not switch on and the pushbutton display panel does not light.**
 - 1 - Check the position of the lever on the overload cut-out switch.
 - 2 - Check that the power supply terminal board is connected to the power supply.
See MIX-T 110 2/11 circuit diagram.
 - 3 - Check the fuses on the timer board "MPT/4".
 - 4 - Check the voltage (230V ~) across terminals 1 and 2 on board "MPT/4".
See MIX-T 110 9/11 circuit diagram.
- **The display panel lights up but the solarium does not switch on when START is pressed.**
 - 2 - Switch the solarium off using the overload cut-out switch, wait 5 seconds and then switch on again.
- **The display panel lights up but when START is pressed the ventilation system only is switched on.**
 - 1 - Check that remote control switches "HL1-HL2" operate correctly.
See MIX-T 110 2/11-3/11 circuit diagram.
 - 2 - Check the voltage 230V ~ across terminals 2 and 3 of the timer board "MPT/4".
See MIX-T 110 9/11 circuit diagram.
- **The display panel lights up but when START is pressed only the lamps switch on (no ventilation).**
 - 1 - Check that remote control switch "HV" operates correctly.
See MIX-T 110 2/11-3/11 circuit diagram.
 - 2 - Check the voltage 220V ~ across terminals 2 and 5 of the timer board "MPT/4".
See MIX-T 110 9/11 circuit diagram.
- **Body cooling system inoperative or cannot be regulated.**
 - 1 - Check the voltage (variable up to a maximum of 230V ~) across terminals 2 and 6 of the timer board "MPT/4".
See MIX-T 110 9/11 circuit diagram.
- **One of the high-pressure does not switch on.**
 - 1 - Check for voltage on the wiring to the lamp. Check the ignition reactor or the starter for the lamp.
- **The ceiling section cannot be raised or lowered.**
 - 1 - Check fuses "F1-F2-F3", which is located inside control cassette.
 - 2 - Check that the primary of transformer "T30" carries a voltage of 220V ~, and that the secondary carries 30V ~. See MIX-T 110 2/11-3/11 circuit diagram.
 - 3 - Check that the output of the diode bridge "PD" carries 30Vcc.
See MIX-T 110 2/11-3/11 circuit diagram.
 - 4 - Check the motor "MS" and circuit board "MPT/4" function correctly.
See MIX-T 110 9/11 circuit diagrams.
- **The ceiling section cannot be raised or lowered in case of power failure.**
 - 1 - Check that the standby battery "B" is charged.
 - 2 - Check the voltage 24Vdc across terminals 9 and 10 of the terminal board "CNT".
See MIX-T 110 2/11-3/11 circuit diagram.
- **The radio does not work.**
 - 1 - Check that the output of the power supply module "AL-12" carries 12Vdc.
See MIX-T 110 9/11" circuit diagram.
 - 2 - Check the voltage 12Vdc across terminals 8 and 9 of the connector "CNC".
See MIX-T 110 9/11 circuit diagram.

WARNING: The central terminals of the igniters for the high-pressure lamps carry extremely high voltage.

10 - DEMOLITION AND WASTE MATERIALS

10.1 WASTE MATERIALS

Are considered as disposable waste materials non-toxic and non-harmful all the materials regarding the packing. Due to their characteristics must therefore be effected as required by the appropriate legislation.

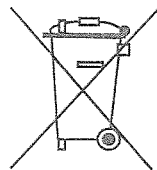
DEFINITION OF SPECIAL WASTE MATERIAL:

Residual material deriving from industrial processes or agricultural, artisan, commercial or service activities which, in view of their quantity of characteristics, are not classified as normal household refuse.

DEMOLITION AND DISCHARGE OF THE UNIT

The unit must be considered as AEE (electrical and electronic unit) and must be discharged as it is.

The under-reproduced symbol indicates that the unit at the end of its life has to be considered RAEE (waste of electrical and electronic unit).



As the unit cannot be discharged as urban waste but it must be sent to the specific collecting centres prepared by the municipal government or by producers and they will arrange the separate collection of RAEE.

Contact the competent municipal governments or the distributor/producer for further details on such matter.

The existence of the RAEE symbol identifies that the unit has been introduced into the market after the date August 13, 2005.

Dangers for the environment: the unit contains materials and components that can be potentially dangerous for the environment and for human health. Don't abandon the materials in the environment, the non-observance of such rule can lead to sanctions by competent authorities.

The unit contains components classified RAEE, here the report with the description and where the principal components are placed.


DESCRIPTION	WHERE PLACED
Electronic board	Electrical boxes/control board
Electrolytic condenser	Electrical boxes
Low pressure lamps	Base
High pressure lamps	Canopy/lateral
Contactors/relay	Electrical boxes
Electric motor (for example fans)	Electrical boxes/canopy/lateral/base
Battery	Electrical boxes
Radio cassette/CD	Control board
External electric cables	Connections among functional elements
Fire-proof plastic covers	Not provided

11 - REPLACEMENTS AND CIRCUIT
DIAGRAMS

11.1 SPARE PARTS LIST

REF	PC	CODE	DESCRIPTION
1	2	4028.4400.03	ZRM12 ES B IGNITOR
2	3	4028.4400.04	ZRM6 ES B IGNITOR
3	2	4027.3020.16	12V ACCUMULATOR
4	12	4028.1001.08	160W BALLAST
5	20	4028.1001.12	140W BALLAST
6	1	4028.1003.04	12V BALLAST
7	1	4028.1002.09	MEC 18/20W BALLAST
8	2	16973.001.0.0	MYSUN 1500W BALLAST
9	3	16973.000.0.0	MYSUN 600W BALLAST
10	2	4027.3030.04	LOUDSPEAKER
11	2	4025.7000.16	BED PISTON 300N
12	2	4025.7000.17	LATERAL PISTON 200N
13	1	4027.3028.01	ANTENNA
14	1	4027.0010.05	ALI3 LINEAR ACTUATOR
15	1	4027.3025.04	CD/RADIO
16	1	14703.356.0.0	FOOT VENTILATION FAN BOX
17	1	13003.021.0.0	FACE VENTILATION FAN BOX
18	3	4028.4304.00	20µF CONDENSER
19	1	4028.4305.00	4µF CONDENSER
20	1	4028.4307.00	5µF CONDENSER
21	13	4028.4300.00	65µF CONDENSER
22	1	4028.6000.01	HOUR-COUNTER
23	1	4028.2101.01	AUXILIARY CONTACT IR11
24	2	4028.2101.10	CONTACT FOR SELECTOR
25	1	4028.2100.10	FANTINI&COSMI HR 46 CONTACTOR
26	2	4028.2100.04	FANTINI&COSMI HR 1710 CONTACTOR
27	1	16916.098.0.0	CUSHION MIX-T 110
28	1	4027.5010.00	DIODE BRIDGE
29	2	16940.177.0.0	AIR FILTER
30	17	16976.004.0.0	COBALT FILTER 230X75
31	1	4028.4202.01	NOISE FILTER RFI
32	4	16976.008.0.0	SUPERLUX FILTER TR-T 23,5X29
33	2	16976.010.0.0	TMP FILTER 23,5X29
34	1	4028.3126.09	1A FUSE
35	1	4028.3125.04	4A FUSE
36	1	4028.3125.06	6,3A FUSE
37	2	4026.1010.04	LIMIT SWITCH
38	11	4028.3127.07	15A FUSE
39	1	4028.2120.27	BREAKER 3P40A AEG
40	2	4028.4002.01	KALFASUN 1530F LAMP
41	3	4028.4002.00	KALFASUN 630F LAMP
42	12	4028.1009.04	KALFASUN B25-S PLUS 160W LAMP
43	20	4028.4014.03	KALFASUN B17-S RAPID 160W LAMP
44	1	4028.4013.10	36W LAMP
45	1	4028.4013.09	18W LAMP
46	1	4028.4013.08	9W LAMP
47	2	16960.008.0.0	TRACTION SPRING
48	3	14073.048.0.0	KF 630L REFLECTOR
49	1	4028.3340.01	CEILING LIGHT FIXTURE 36W
50	2	14273.166.0.0	110 1530L REFLECTOR
51	1	169746.452.0.0	REAR ACRYLIC CANOPY
52	1	169746.453.0.0	FRONT ACRYLIC CANOPY
53	1	16946.321.0.0	BED ACRYLIC
54	32	4028.3310.01	NEON HOLDER WITH STARTER
55	32	4028.3310.00	NEON HOLDER WITHOUT STARTER
56	1	4028.4502.03	RELAY 55.32
57	1	14703.041.0.0	MPT/4 CONTROL BOARD COMPLETE
58	1	15906.026.0.0	ELECTRONIC BOARD FOR PANEL JACK
59	1	4026.0010.00	ELECTRONIC BOARD RCT/1
60	1	4028.2187.03	BRETER SELECTOR
61	1	4025.6100.00	LOCK
62	32	4028.4020.04	STARTER
63	1	15906.033.0.0	KEYBOARD
64	1	4028.2116.04	TIMER
65	1	4028.1010.11	30V 60VA TRANSFORMER
66	1	4028.0037.00	EBM A2E 300 AA01-34 FAN
67	1	4028.0048.00	ECOFIT 2GDS25.133 FAN
68	5	4028.0029.04	EBM 4650N FAN
69	2	4028.0040.03	EV TGO 60/1 FAN
70	2	4028.0018.05	FANDIS 4715 FAN
71	1	4024.0010.03	EYEWEAR
72	1	15946.020.0.0	CEILING RIGHT PANEL ENSEMBLE
73	1	15946.021.0.0	CEILING LEFT PANEL ENSEMBLE
74	1	16946.264.0.0	RIGHT LATERAL SIDE COVER OF BASE
75	1	16946.265.0.0	FRONT BASE PANEL
76	2	16946.266.0.0	RIGHT/LEFT LITTLE COVER OF LATERAL COVER OF BASEMENT
77	1	16946.268.0.0	FRONT COVER OF THE HEAD
78	1	16946.270.0.0	AIR EXHAUST COVER
79	1	16946.274.0.0	REAR COVER OF THE HEAD
80	1	16946.318.0.0	LEFT LATERAL SIDE COVER OF BASE
81	1	16946.027.0.0	LATERAL PANEL ENSEMBLE
82	1	16946.028.0.0	SIDE CANOPY PANEL ENSEMBLE
83	1	16946.029.0.0	SIDE FOOT PANEL ENSEMBLE

11.2 CIRCUIT DIAGRAMS LEGEND

SYMBOLS	DESCRIPTION
	Earth terminal
A1-A2 16973.001.0.0	1500W ballast for upper section
A3-A4-A5 16973.000.0.0	600W ballast for upper section
AC1-AC2 4028.4400.04	Igniters for KALFASUN 1530F lamp
AC3-AC4-AC5 4028.4400.03	Igniters for KALFASUN 630F lamp
AL-12 4028.1003.04	Power supply circuit board for 12Vdc radio
B 4027.3020.16	12Vdc accumulators
C1-C10 4028.4300.00	65µF condenser (see circuit diagrams)
C2-C... 4028.4304.00	20µF condenser (see circuit diagrams)
RU 4028.4502.03	Control circuit board for coin box
CNB	10 pin connector for control box - bed ballasts box low pressure
CNB32	32-pin connector for bed ballasts box low pressure - bed lamps low pressure wiring system
CNC	16-pin connector for control box - control board wiring system
CNR	24-pin connector for control box - ballasts box high pressure
CNT	24-pin connector for control box - canopy lamps wiring system
CNV	10 pin connector for control box - face ballasts box high system
CNW1-2-L-M	3-pin black connector
CO 4028.6000.01	Hour counter
CON.T1	10-pin connector for bed ballasts-bed
CV1 4028.4305.00	4µF condenser (see circuit diagrams)
CV2 4028.4307.00	5µF condenser (see circuit diagrams)
F1-F11 4028.3127.07	15A fuse (see circuit diagrams)
F12 4028.3126.09	1A fuse (see circuit diagrams)
F13 4028.3125.04	4A fuse (see circuit diagrams)
F14 4028.3125.06	6,3A fuse (see circuit diagrams)
FCI 4026.1010.04	Limit switches
F 4028.4202.01	Noise filter
HL1 4028.2100.04	Contactora 1 st starting
HL2 4028.2100.10	Contactora 2 nd starting
HV 4028.2100.04	Contactora for fans (HR1710)
IG 4028.2120.28	Breaker
L 4028.1009.04	KALFASUN B25-S Plus 160W lamps
L1-L2 4028.4002.01	KALFASUN 1530F lamps
L3-L4-L5 4028.4002.00	KALFASUN 630F lamps
L9W 4028.4013.08	9W lamp
LB10A 4028.4014.03	KALFASUN B17-S Rapid 160W lamps

LB36 4028.4013.10	36W lamp
LSP-RSP 4027.3030.04	Loudspeakers
M4	4-pin canopy terminal board
MAL	Power supply terminal
MCLE	6-pin base ballast terminal board
MB	32-pin bed terminal board
MPT-4 14703.041.0.0	"MPT/4" control board
Ms 4027.0010.05	30Vdc up/down motor
N	Neutral terminal
PD 4027.5010.00	Current rectifier bridge for up/down motor
R1-R12 4028.1001.08	160W ballasts low pressure lamps
R1-R20 4028.1001.12	140W ballasts low pressure lamps
RA 4027.3025.04	Radio/CD
RB36 4028.3340.01	Ceiling light fixture 36W
RCT 4026.0010.00	30Vdc battery-charger circuit board for automatic raising mechanism RCT/1
L1-L2-L3	Power supply phases
S 4028.4020.04	Starter
SA 4028.2187.03	Selector
Scheda Jack 15906.026.0.0	Control circuit board for Jack
SW 4026.1010.04	Limit switches for intensive door
T 4028.2116.04	Timer
T30 4028.1010.11	Power transformer for up/down motor (230/30Vac)
V 4028.0052.00	Cooling ballast cassette fan
VT 4028.0052.0.0	Canopy lamps ventilation
V 4028.0037.00	Canopy air exhaust fan
VB 4028.0024.02	Base lamps ventilation
VC 4028.0052.0.0	Cooling face ballasts cassette and high pressure lamps
VCI 4028.0018.05	Foot box ventilation
VI 4028.0040.03	Face lamps ventilation
VL 4028.0040.03	Head box ventilation
VQ 4028.0052.0.0	Cooling control board fan
VR 4028.0052.0.0	Cooling base ballast cassette fan

DESCRIPTION CIRCUIT DIAGRAMS

- 1/11 Voltage change diagram
- 2/11 Practical diagram box control.
- 3/11 Practical diagram of power.
- 4/11 Practical diagram of face ballast box.
- 5/11 Practical diagram ballast box high pressure.
- 6/11 Practical diagram base ballast box.
- 7/11 Circuit diagram low pressure lamps of bed.
- 8/11 Practical diagram of head.
- 9/11 Practical diagram of control panel.
- 10/11 Functional diagram.
- 11/11 Fuses and connectors diagram.

12 - MEDICATION

12.1 MEDICATION

Certain drugs can make your skin sensitive to ultraviolet light. The U.S. Department of Health and Human Services has published a booklet entitled Medications That Increase Sensitivity to Light; A 1990 Listing prepared by Jerome Levine, M.S., R.Ph. The booklet is HHS Publication FDA 91-8280 and is available from the U.S. Government Printing Office. Refer to this booklet or your health practitioner if you are taking any medications.

Dr. Richard Childers and Dr. Edward Emmett of Jhon Hopkins University compiled a list of drugs, foods, and other substances that could make your skin sensitive to ultraviolet light. This list is presented below:

- Diuretics (which help prevent water retention), prescribed for high blood pressure (for example, Hydrodiuril).
- Diabetes drugs-Orinase and Diabinase.
- Urinary tract infection treatments with phenothiazines.
- Tranquilizers, such as Thorazine.
- The acne treatment Retin-A.
- Antihistamines-Phenergan and Benadryl-particularly when they are used on the skin in ointment form.
- Antibiotics-Declomycin, Aureozicin, and Griseofulvin, which is used in ringworm treatment.
- Coal tar treatment for psoriasis or chronic eczema.
- Bacterial infection treatments using sulfanilamide.
- Compounds known as furocoumarins or psoralens, which sensitise skin to sunlight whether put on the skin or taken orally. They are prescribed for vitiligo (loss of skin pigmentation) and psoriasis.
- Birth control pills. The hormones they contain can react with sunlight and in some cases cause brown patches on the skin.
- Perfumes and colognes containing furocoumarins, compounds from natural products such as plants and fruits. Their natural oils can sensitise the skin to sunlight.
- Food and fruits that contain photosensitising agents: celery, carrots, limes, coriander, parsley, fennel, dill, buttercup, mustard and figs.

13 - WARRANTY

13.1 LIMITED WARRANTY

For USA see next page.

TERMS OF WARRANTY

Sportarredo USA, Inc. ("Sportarredo") warrants its tanning beds (the "Products") to be free from defects in materials and workmanship under intended normal use as described in the unit's Operation and Instruction Manual, for a period of two (2) years (the Warranty Period") from date of sale (proved by the invoice's date). This Limited Warranty does not cover the normal wear and tear of the Products.

This Limited Warranty applies only within the United States and Canada to the first end user (the "Buyer") of the Products and becomes void on the transfer or sale of the Products to any party other than the Buyer.

I. Registration Requirement

- a. This Limited Warranty becomes effective only if the Buyer fills out and returns the Warranty Certificate, dated and signed by the Buyer, to Sportarredo at the address shown below within thirty (30) days of the sale of the Products.
- b. By returning the Warranty Certificate to Sportarredo, the Buyer acknowledges to have fully read and understood the user's manual, and to have complied with all the instructions stated in that document.

II. Installation and Maintenance Requirements

- a. This Limited Warranty does not apply when the installation has not been performed by Sportarredo's trained and certified technician. For the sake of clarity, the technicians have to be certified by Sportarredo, after attending Sportarredo's training courses.
- b. This Limited Warranty does not apply if the Products are misused or abused, and there is evidence of mishandling, neglect, modification or repair without the approval of Sportarredo, or damage done to the Products by anyone other than Sportarredo.
- c. This Limited Warranty does not apply to damages caused during transportation (including transport to and from the Buyer's location); or damage due to improper or lack of maintenance; voltage overloads or "under voltage"; insufficient or abnormal operation of electrical or hydraulic systems; improper or incorrect treatment of water supply; or corrosion caused by condensation or hard water; improper descaling treatments; or in general to any cause which does not specifically depend on defect in material or workmanship.
- d. This Limited Warranty does not apply if the serial number on the product has been removed, altered or defaced.

III. Warranty Claim Procedure

In order to submit a Warranty Claim, the Buyer must provide Sportarredo with a written notice of any alleged defects within the Warranty Period, but in any case after no more than ten (10) days from the date of the discovery of the defects. At Sportarredo's option, the Buyer must ship the defective Product(s) to Sportarredo, at the address shown below, with mailing or shipping charged prepaid. Sportarredo shall be liable for and shall pay for the all freight, shipping and delivery costs of forwarding parts sent to Sportarredo for repair or replacement under the Limited Warranty. The Buyer shall be liable and pay for all labor and transportation charges in the event of a house call by an unauthorized technician. Adequate packaging must be used for returned goods to prevent freight damages.

IV. Warranty Services

- a. Defective parts will be replaced upon receipt by Sportarredo. Only original parts obtained through Sportarredo USA Inc., its authorized dealers or distributors may be used. Shipping terms, methods, etc. must be pre-approved by Sportarredo prior to the return of the parts in question. Parts, etc. shipped to Sportarredo without prior approval will be refused and the owner/shipper will be responsible for all related shipping costs etc.
- b. If the Products shall be proved to Sportarredo's satisfaction to be defective within the Warranty Period, Sportarredo's obligation under this Limited Warranty shall be limited to either repairing or replacing the Products, at Sportarredo's sole discretion, if such defect was caused solely by defective workmanship and materials. Such repair or replacement shall be Sportarredo's sole obligation and the Buyer's exclusive remedy hereunder and shall be conditioned upon the Buyer's fulfilling of its obligations under Warranty Claims Procedure. The obligations under this warranty are limited to repair or replacement of any defective part without charge for that part to the original purchaser, with the following exceptions:
 1. Tanning lamps, filters, starters and igniters are warranted against defects for a period of sixty (60) days from date of sale.
 2. Radios and speakers are warranted by the radio and speaker Sportarredo for the period of time indicated in their warranty certificates.
 3. Labor will be furnished without charge for sixty (60) days from the date of purchase only. All labor and related charges must be authorized by Sportarredo USA Inc. prior to start of repairs, and must conform with Sportarredo USA Inc. established rates and time allotment policy.
 4. All fans and batteries are warranted against defects for a period of two (2) years from date of sale.
 5. Timer system, plastics reflectors and parts subjected to "normal" wear & tear (meaning parts intended to be used by the final customer during each session, as buttons, switches, profiles, etc) are warranted for one (1) year.
 6. Acrylics are warranted for twelve (12) month prorated period (this warranty applies only if the "owner" of the units has used appropriate cleaners).
 7. Mattresses and pillows are warranted for a period of six (6) months from the date of sale.

V. Exclusion from Limited Warranty

The following are not covered by this Limited Warranty

Scratches, splinters, or marks to the Products, unless Sportarredo is notified as soon as the Products are received by the Buyer;

Normal wear and tear;

Defects not caused by the Products, but that are the result of improper installation;

Misuse or abuse by the Buyer;

Physical damage to the Product as a result of unreasonable use and/or negligence.

VI. Limitations on Warranty

This Limited Warranty is provided by Sportarredo, and it contains the only express warranty provided to the Buyer by Sportarredo. Sportarredo does not authorize any other person, including distributors, sub-distributors, agents, to give any other warranties on Sportarredo's behalf.

SPORTARREDO DISCLAIMS ANY EXPRESS WARRANTY NOT PROVIDED HEREIN AND ANY IMPLIED WARRANTY, GUARANTY OR REPRESENTATION AS TO PERFORMANCE, QUALITY AND ABSENCE OF HIDDEN DEFECTS, AND ANY REMEDY FOR BREACH OF CONTRACT, WHICH BUT FOR THIS PROVISION, MIGHT ARISE BY IMPLICATION, OPERATION OF LAW, CUSTOM OF TRADE OR COURSE OF DEALING, INCLUDING IMPLIED WARRANTIES OF MERCHANTABILITY AND FITNESS FOR A PARTICULAR PURPOSE. SPORTARREDO FURTHER DISCLAIMS ANY RESPONSIBILITY FOR LOSSES, EXPENSES INCONVENIENCES, SPECIAL, INDIRECT, SECONDARY OR CONSEQUENTIAL, INCIDENTAL, AND CONTINGENT DAMAGES WHATSOEVER, INCLUDING DAMAGES ARISING FROM OWNERSHIP OR USE OF PRODUCT.

Implied warranties in jurisdictions where they may not be disclaimed shall be in effect only for the duration of the express warranty set forth herein.

If the Buyer has a claim under this Limited Warranty or under any implied warranties provided to the Buyer by state law, the Buyer may not file a court action based on that claim any later than one (1) year after the Buyer's right to file a court action accrues. In those states that do not allow this limitation on the time period for filing a court action, this provision is inapplicable.

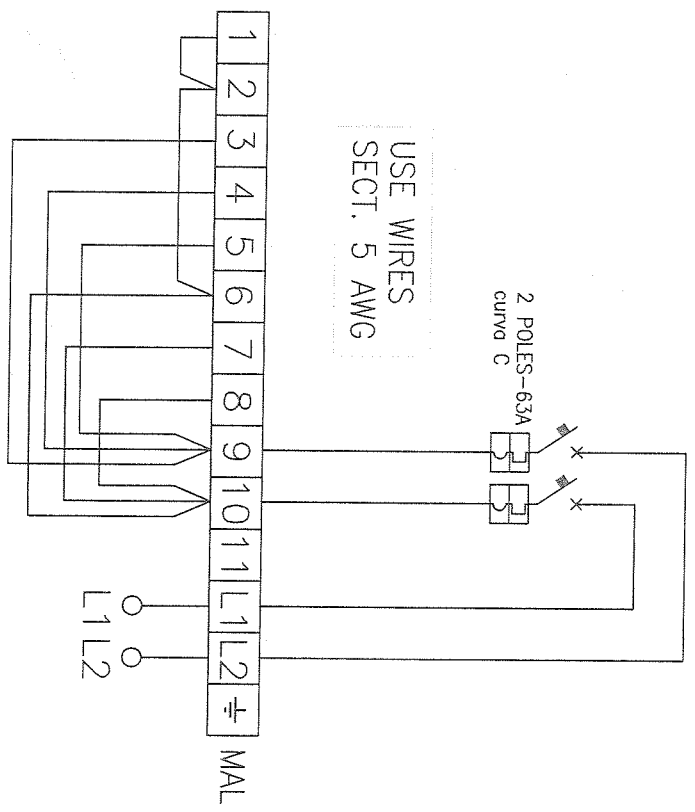
VII. Sportarredo's Liability

a. Sportarredo's liability with respect to the Product sold to the Buyer shall be limited to the Limited Warranty provided herein. Sportarredo SHALL NOT BE SUBJECT TO ANY OTHER OBLIGATIONS OR LIABILITIES, WHETHER ARISING OUT OF BREACH OF CONTRACT, WARRANTY, TORT (INCLUDING NEGLIGENCE AND STRICT LIABILITY) OR OTHER THEORIES OF LAW, WITH RESPECT TO THE PRODUCTS SOLD OR SERVICES RENDERED BY SPORTARREDO, OR ANY UNDERTAKING, ACTS OR OMISSIONS RELATING THERETO.

b. Without limiting the foregoing, Sportarredo specifically disclaims any liability for property or personal injury damages, penalties, special or punitive damages, damages for lost profits or revenues, services, down time, shut down or slow down costs, or for any other types of economic loss, and for claims of the Buyer's customers or any third party for any such damages. Sportarredo SHALL NOT BE LIABLE FOR AND DISCLAIMS ALL CONSEQUENTIAL, INCIDENTAL, AND CONTINGENT DAMAGES WHATSOEVER.

USE WIRES
SECT. 9 AWG

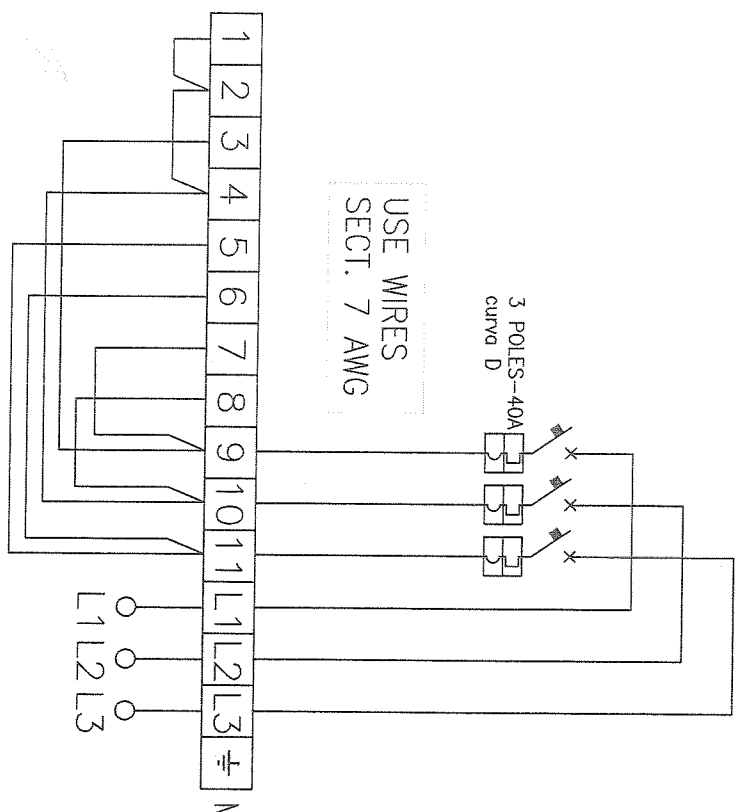
230V MONOPHASE



USE WIRES
SECT. 5 AWG

USE WIRES
SECT. 9 AWG

230V 3PHASE



USE WIRES
SECT. 7 AWG

SPORTAREDDI spa
Via dell'Industria, 7 30020 GRUARDO (VE)
tel. 0421/767630 - fax 767635
PROPRIETÀ RISERVATA DELLA DITTA SPORTAREDDI
È vietato riprodurre o comunicare a terzi
il contenuto del presente disegno
CODICE: 10297.102.0.0 (220V 3F 60Hz)

DESCRIZIONE:		Modifiche	
REF		Data	Firma
a		-	-
b		-	-
c		-	-
SCHEMA CAMBIO TENSTIONE			
DIAGRAMM FÜR SPANNUNGSÄNDERUNG			
VOLTAGE-CHANGE DIAGRAM			
SCHEMA CHANGE TENSTION			
ESQUEMA CAMBIO TENSTION			
Modello:	MIX-T 11	Data:	31/10/06
Versione:	USA	Dis:	Alcalavitti
Schema n°:	1/11	Contr:	-
File:	P045uso_1.dh		

CODICE CASS./CABLI: -

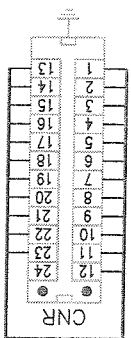
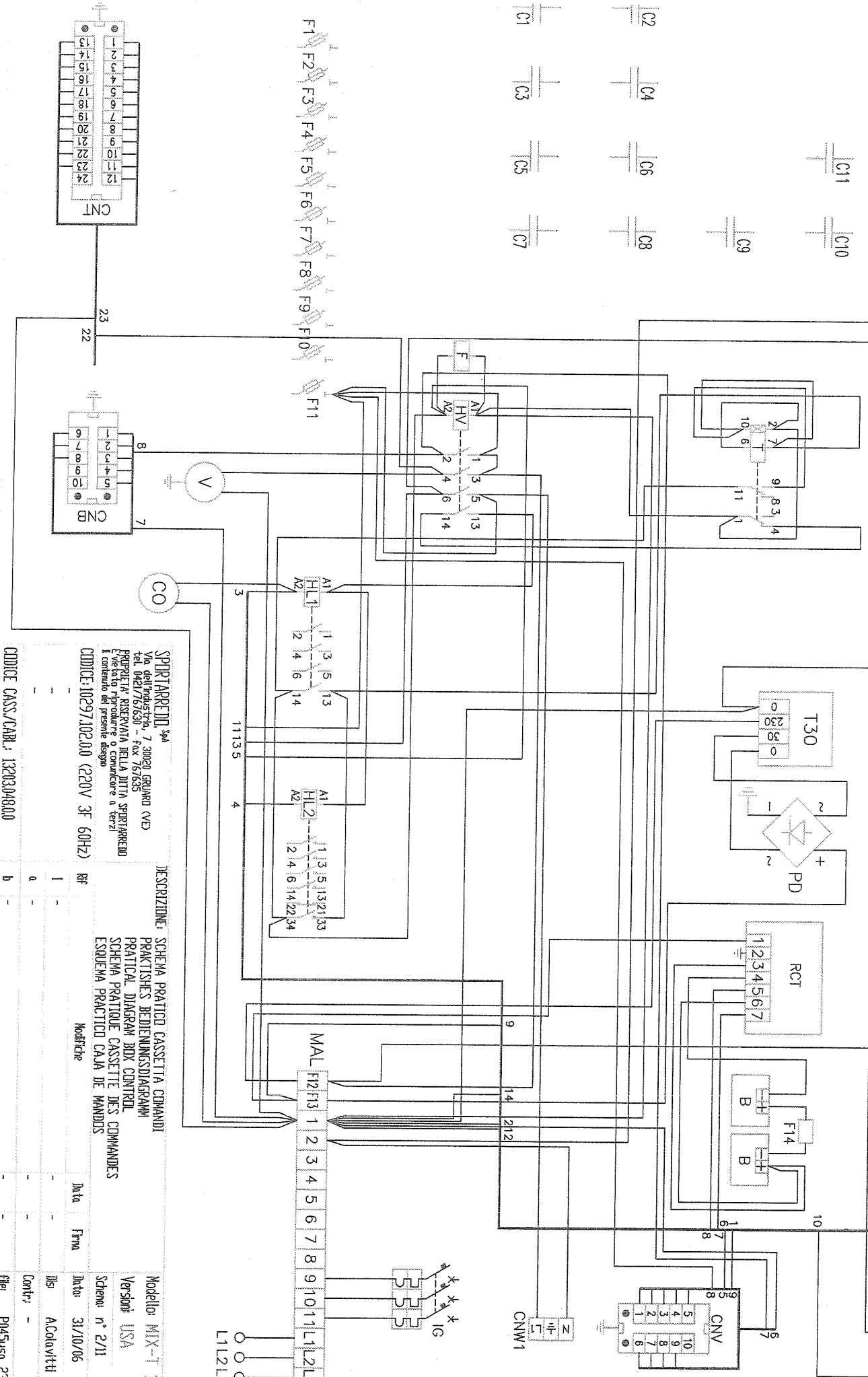
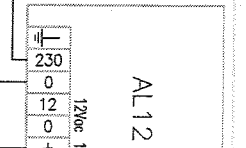
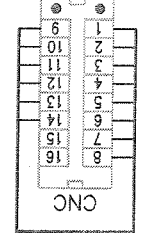


DIAGRAM LEGEND

HV	Nr.1 CONTACTOR FOR VENTILATION (HR1710)
HL1	Nr.1 CONTACTOR FOR 1st STARTING (HR1710)
HL2	Nr.1 CONTACTOR FOR 2nd STARTING (HR146)
C2-C4-C6-C7-C11	Nr.5 - 20 μF CAPACITOR
C1-C3-C5-C8-C9-C10	Nr.6 - 65 μF CAPACITOR
F1-F11	Nr.11 - 15A FUSE
F12	Nr.1 - 1A FUSE
F13	Nr.1 - 4A FUSE
F14	Nr.1 - 6.3A FUSE
F	Nr.1 NOISE FILTER



SPRINTAREDDI spa
 Via dell'Industria, 7 30029 Gravedi (VE)
 Tel. 0421/761630 - fax 761635
 PROPRIETÀ RISERVATA NELLA DITTA SPRINTAREDDI
 È vietato riprodurre o comunicare a terzi
 il contenuto del presente disegno
 CODICE: 10297102.00 (220V 3F 60Hz)

DESCRIZIONE: SCHEMA PRATICO CASSETTA COMANDI
 PRAKTISCHES BEDIENTENSCHEMADAGRAMM
 PRACTICAL DIAGRAM BDX CONTROL
 SCHEMA PRATIQUE CASSETTE DES COMMANDES
 ESQUEMA PRACTICO CAJA DE MANDOS

Modello:	MIX-T 11
Versione:	USA
Schema n°:	2/11
Disegnato:	31/10/06
Disegnato da:	Alcavittti
Contratto:	-
File:	P045uso_23

CODICE CASS./CABL.: 1320304800

NR

1

a

b

Data

Firma

Dis

Contr

File

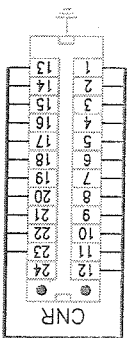
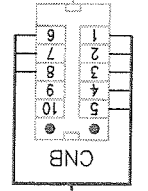
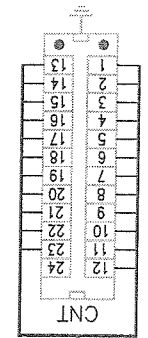
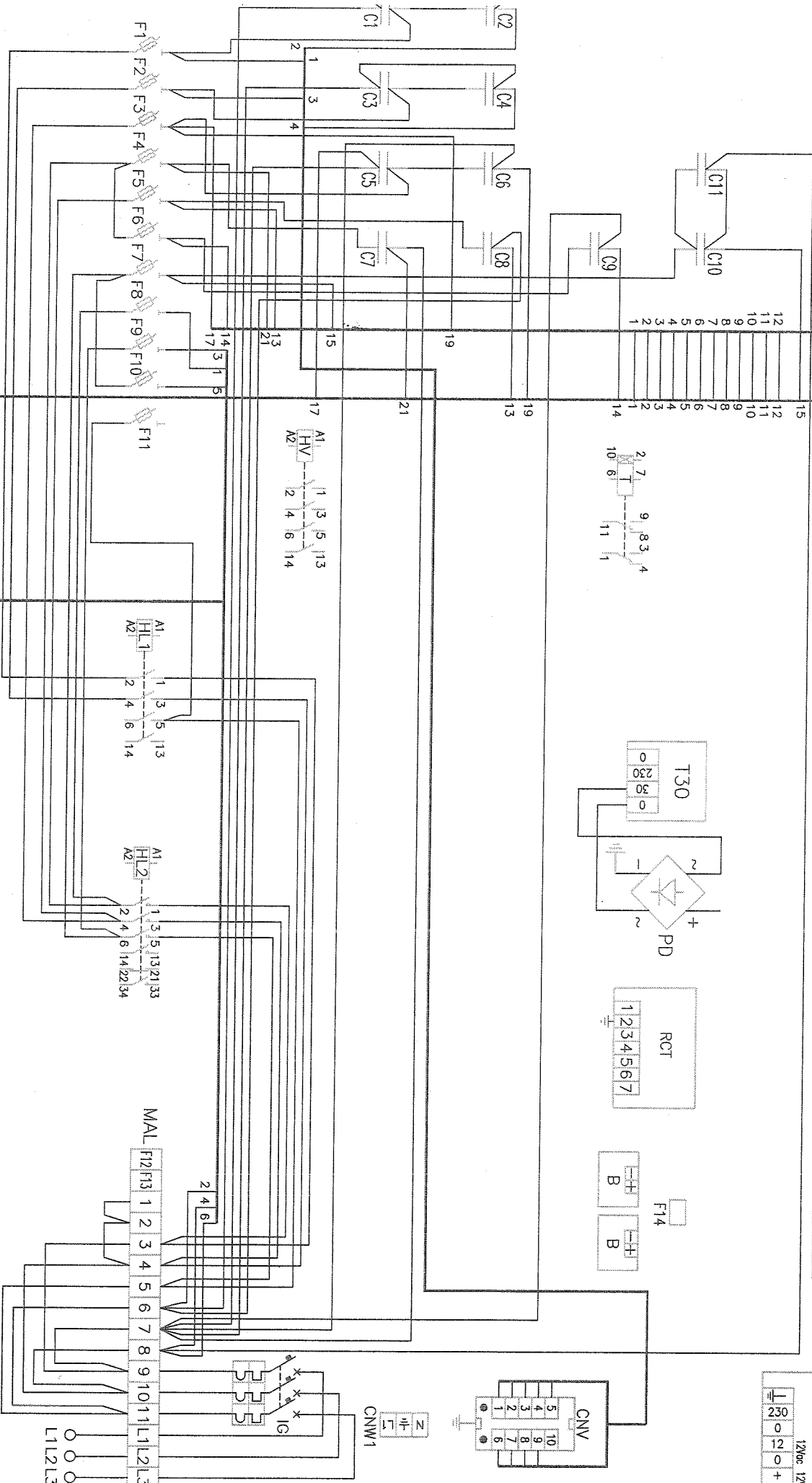
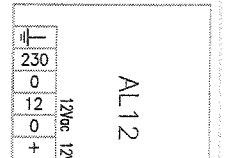
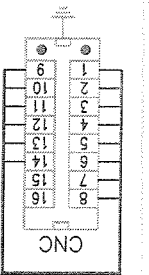


DIAGRAM LEGEND

HV	Nr.1 CONTACTOR FOR VENTILATION (HR1710)	F1-F11	Nr.11 - 15A FUSE
H1	Nr.1 CONTACTOR FOR 1st STARTING (HR1710)	F12	Nr.1 - 1A FUSE
H2	Nr.1 CONTACTOR FOR 2nd STARTING (HR46)	F13	Nr.1 - 4A FUSE
C2-C4-C6-C7-C11	Nr.5 - 20 µF CONDENSER	F14	Nr.1 - 6.3A FUSE
C1-C3-C5-C8-C9-C10	Nr.6 - 65 µF CONDENSER	F	Nr.1 NOISE FILTER



SPARTAREDDI s.p.a.
 Via dell'Industria, 7 30020 GRUARO (VE)
 tel. 0421/767630 - fax 767635
 PROPRIETÀ RISERVATA DELLA DITTA SPARTAREDDI
 È vietato riprodurre o comunicare a terzi
 il contenuto del presente disegno

CODICE: 0297102100 (220V 3F 60Hz)

CODICE CASS./CAB.: 13203048100

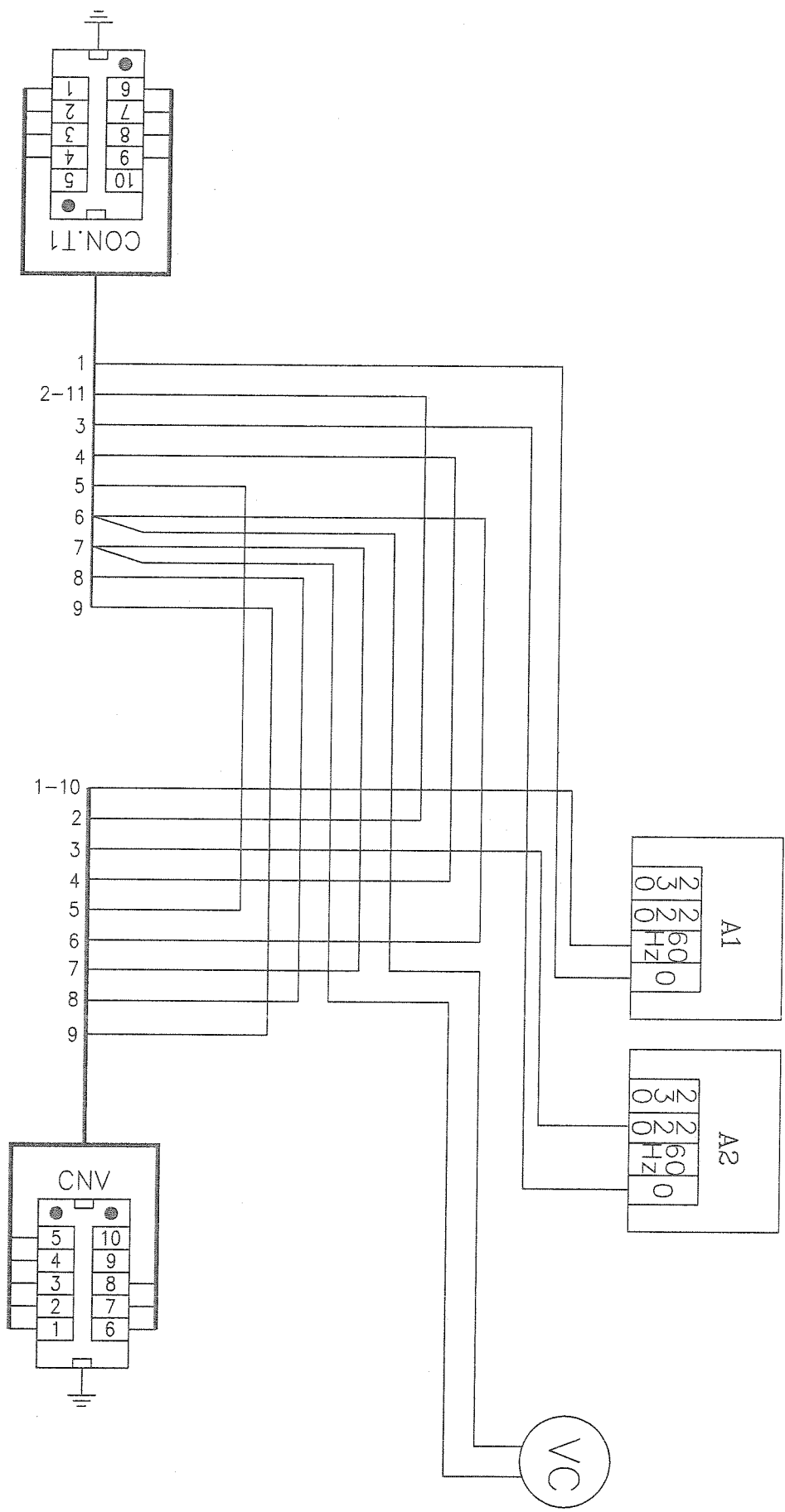
DESCRIZIONE: SCHEMA PRATICO DI FORZA

PRAKTISCHES LEISTUNGSDIAGRAMM
 PRACTICAL DIAGRAM OF POWER
 SCHEMA PRATIQUE DE PUISSANCE
 ESQUEMA PRACTICO FUERZA

Modifiche

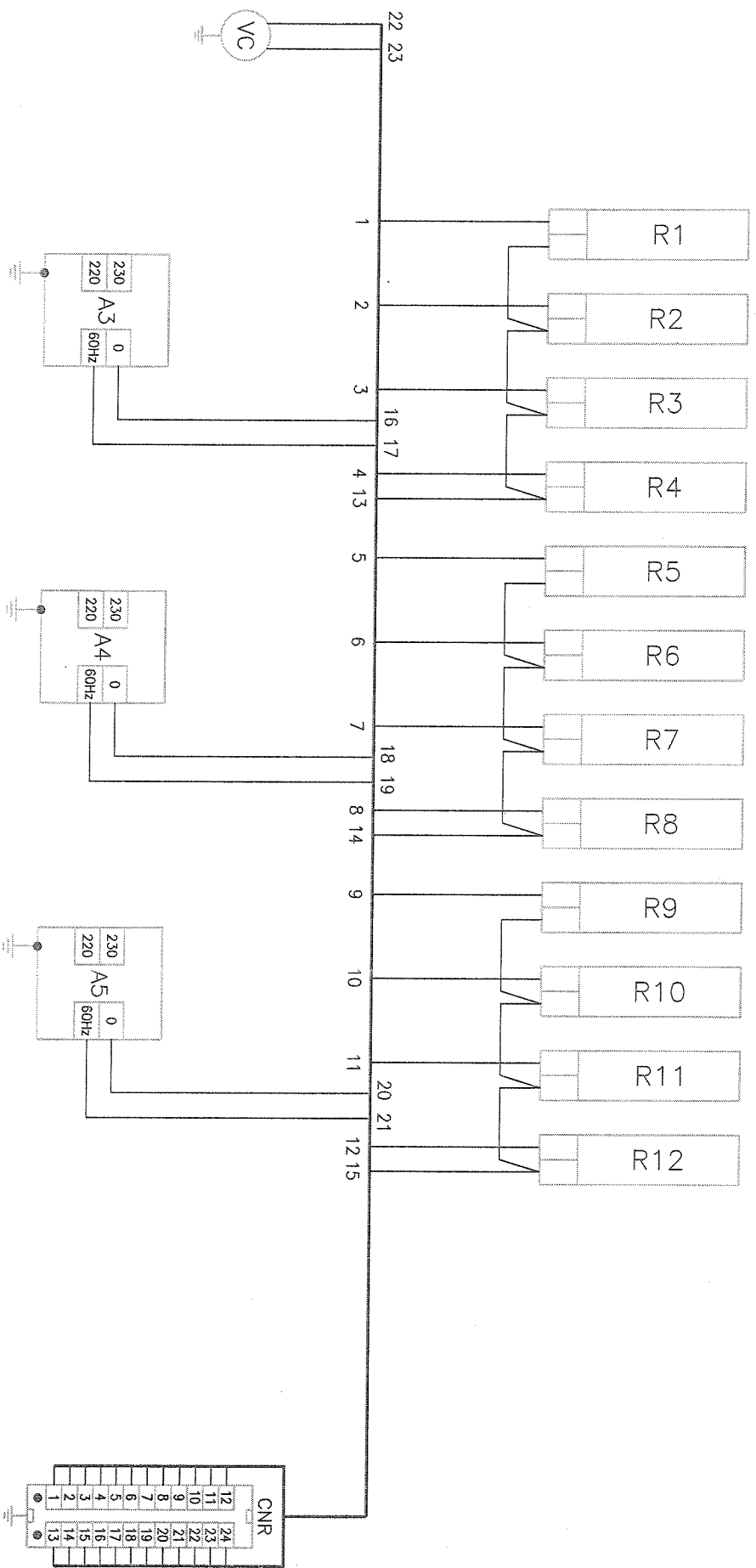
Rif.	Descr.	Data	Firma
1			
0			
b			

Modello:	MIX-T 11
Versione:	USA
Schema n°:	3/11
Data:	31/10/06
Dis:	Acciavitti
Contr.:	
File:	P045_usa_23



SPORTAREDDI S.p.A. Via dell'Industria, 7 30029 GRANO VED tel. 0421/767630 - fax 767635 PROPRIETÀ RISERVATA DELLA DITTA SPORTAREDDI Vietato riprodurre o comunicare a terzi il contenuto del presente disegno CODICE: 1029710200 (220V 3F 60Hz)		DESCRIZIONE: SCHEMA PRATICO CASSETTA ALIMENTATORI VISIO PRAKTISCHES DIAGRAMM DES VERSCHALTGERÄT STEUERHEIMSES PRATICAL DIAGRAM OF FACE BALLASTS BDX SCHEMA PRATIQUE CASSETTE ALIMENTATEURS DU VISAGE ESQUEMA PRATICAL CASSA ALIMENTADORES DE LA CARA Modifiche	
RR	-	Info	Freq
a	-	-	-
b	-	-	-
c	-	-	-
CODICE CASS./CABL.: 1320304900		Modello:	MIX-T 11
		Versione:	USA
		Schema n°:	4/11
		Info:	31/10/06
		Dis:	Accolavitti
		Contr:	-
		File:	PM5usa_4.d

LEGENDA APPARECCHIATURE	
R1-R12	N.12 REATTORI DA 160W BASSA PRESSIONE
A3-A5	N.3 REATTORI DA 600W ALTA PRESSIONE



SPORTARREDDI S.p.A.
 Via dell'Industria, 7 30029 GRUARO (VE)
 tel. 0421/761630 - fax 761635
 PROPRIETÀ RISERVATA DELLA DITTA SPORTARREDDI
 È vietato riprodurre o comunicare a terzi
 il contenuto del presente disegno
 CODICE: 10297102.00 (220V 3F 60Hz)

DESCRIZIONE:		SCHEMA PRATICO CASSETTA ALIMENTATORI AP.	
PRÄKTISCHES DIAGRAMM DES VORSCHALTGERÄT STEUERHEIMSES		PRÄKTISCHES DIAGRAMM BALLASTS BOX HP	
SCHEMA PRATIQUE CASSETTE ALIMENTATEURS		SCHEMA PRATIQUE CASSETTE ALIMENTATEURS	
ESQUEMA PRATICAM CASJA ALIMENTADRES		ESQUEMA PRATICAM CASJA ALIMENTADRES	
MR	Modifiche	Data	Firma
a	-	-	-
b	-	-	-
c	-	-	-
Modello	MIX-T 11	Schema n°	5/11
Versione	USA	Data	31/10/06
Dis:	Accolavitti	File:	P045usa_5d
Contr:	-		
File:	P045usa_5d		

CODICE CASS./CABL.: 132030500.00

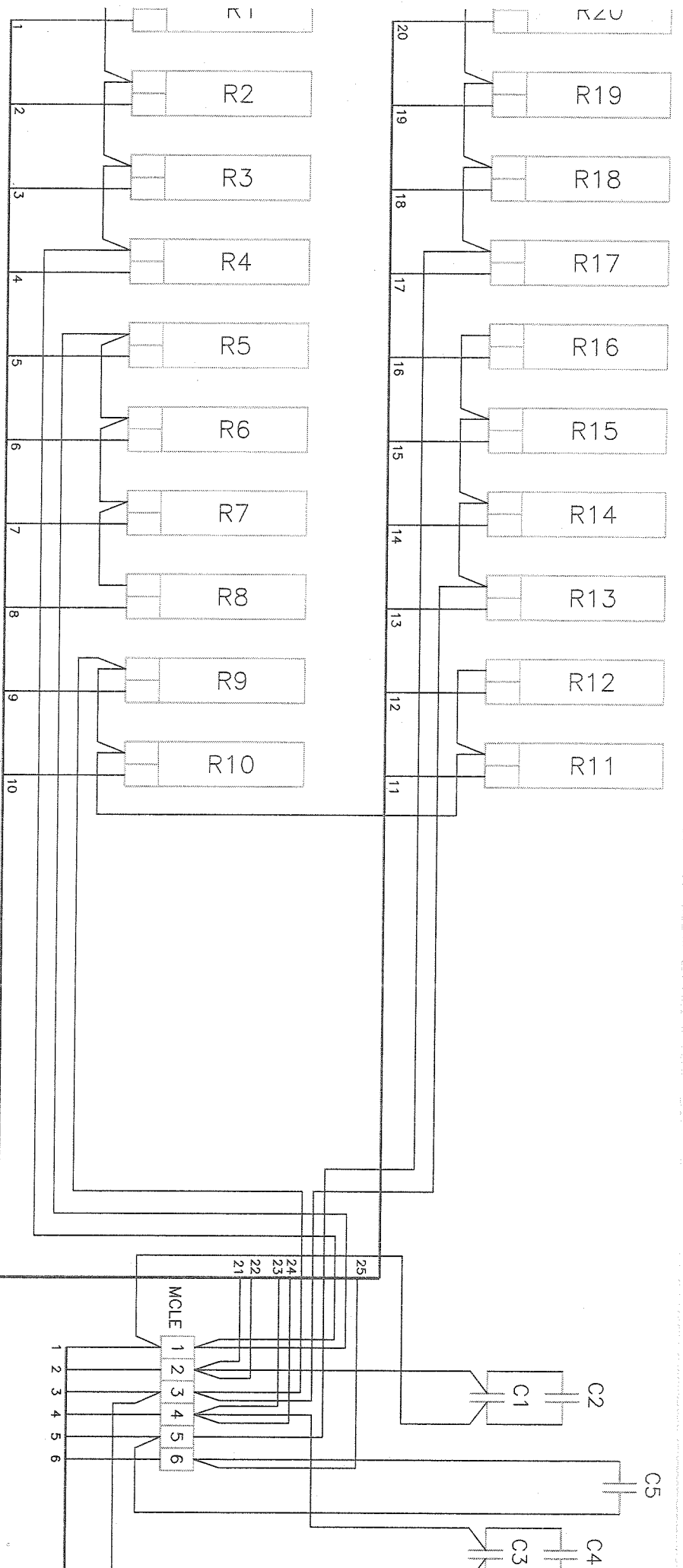


DIAGRAM LEGEND

-C2-C3-C4	N.4 - 85 µF CONDENSER
C5	N.1 - 20 µF CONDENSER
R1-R20	N.20 - 140W LOW PRESSURE BALLASTS

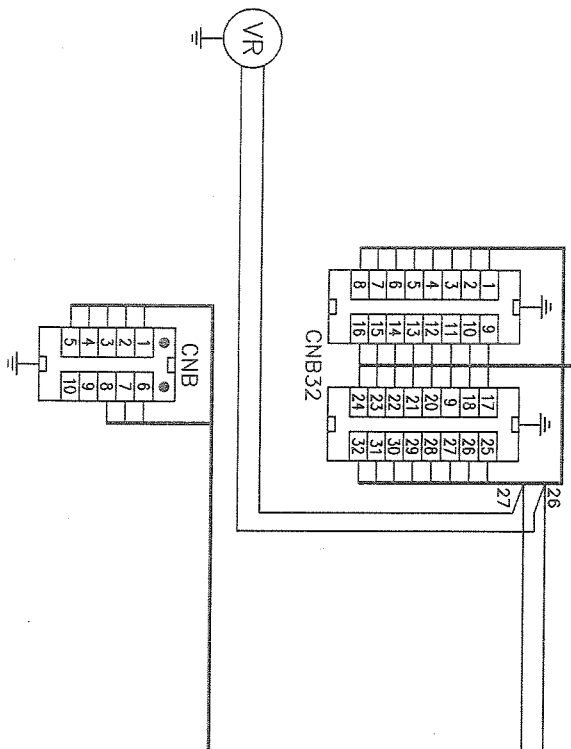
ARREDI 544
 Industrie: 7 30020 GRIGNANO (VE)
 V/767630 - Fax 767635
 N. SERVIZIO ALLA CLIENTELA SPARTIACQUA
 - Procedure o Comandare a Terza
 in del presente disegno

10297/102.010 (220V 3F 60Hz)

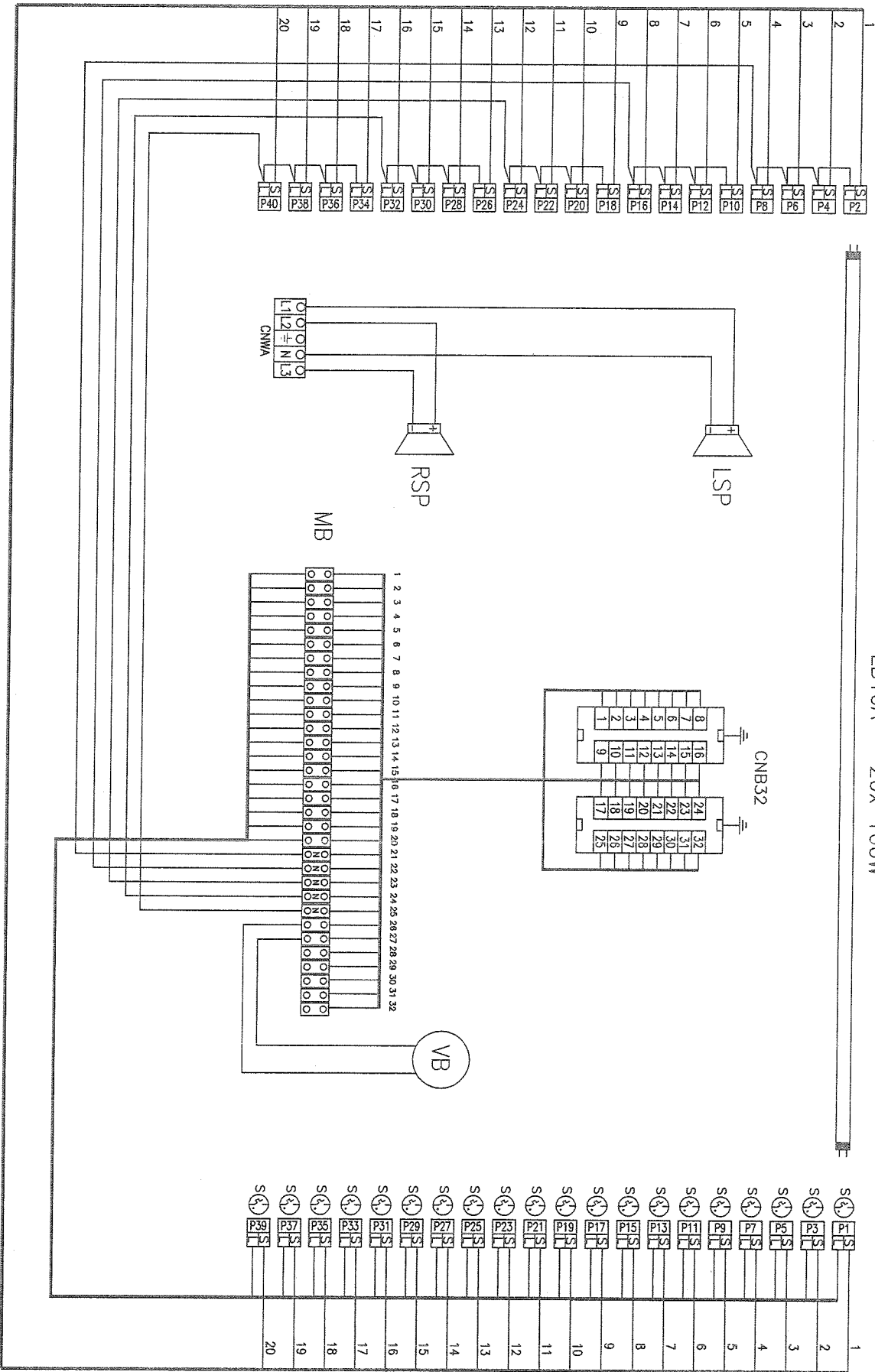
DESCRIZIONE: SCHEMA PRATICO CASSETTA ALIMENTATORI BASE
 PRAKTISCHES DIAGRAMM DES VERSCHALTETEN STUERGERHAUSES
 PRACTICAL DIAGRAM BASE BALLASTS BOX
 SCHEMA PRATIQUE CASSETTE ALIMENTATEURS
 ESQUEMA PRATICAM CAJA ALIMENTADORES

Modello: MIX-T 110
 Versione: USA
 Schema: n° 6/11
 Data: 31/10/06
 Dis: A.Colovaltti
 Contr: -
 file: P045usa_6dwg

CASS/CABL: 13203029.010



LB10A = 20X 160W



SPORTARREDI s.p.a.
 Via dell'Industria, 7 30020 GRUARDO (VI)
 tel. 0421/767630 - fax 767635
 PROPRIETÀ RISERVATA DELLA DITTA SPORTARREDI
 È vietato riprodurre o comunicare a terzi
 il contenuto del presente disegno
 CODICE: 10297.102.00 (220V 3F 60Hz)

DESCRIZIONE:	SCHEMA MULTIFILARE BASSA PRESSIONE LETTO	
	ELEKTROSCHEMATA PLANE NIEDERDRUCKLAMPEN INTERTEIL	
	SCHEMATA DIAGRAM LOW-PRESSURE LAMP'S OF BED	
	SCHEMA MULTIFILARE BASSE PRESSION DU LIT	
	ESQUEMA MULTIFILARE BAJA PRESSION DE LA CAMA	
Modifiche		
RF	a	
	b	
	c	
Inizio		Fine
Modello:	MIX-T 11	
Versione:	USA	
Scheda n°:	7/11	
Data:	31/10/06	
Dis:	A. CLAVANTI	
Contr:		
File:	PMSusa_7.dwg	

CODICE CASS./CABL.: 14273121.00

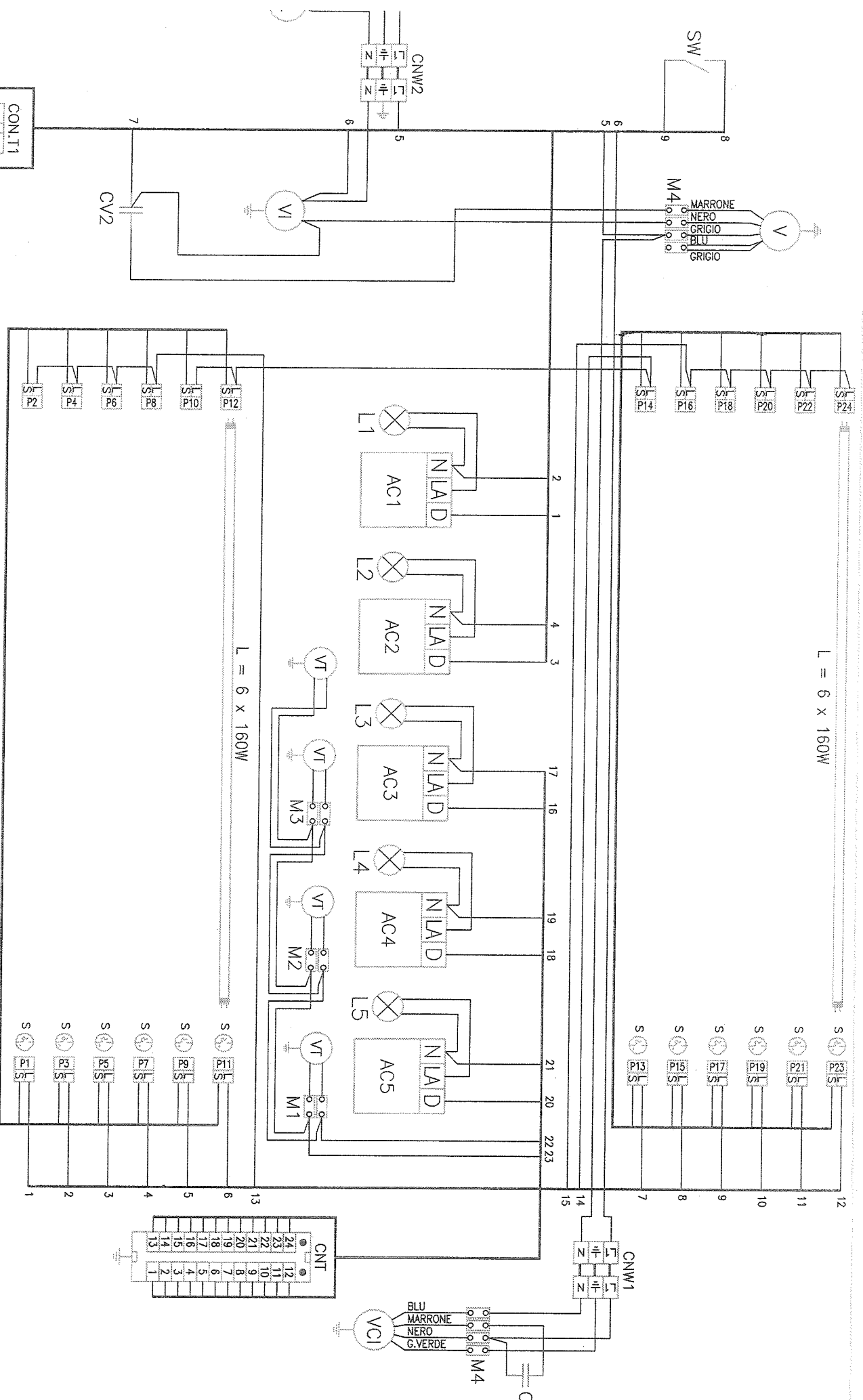


DIAGRAM LEGEND

L1-L2	Nr.2 - 1500W HIGH PRESSURE LAMPS
L3-L4-L5	Nr.3 - 600W HIGH PRESSURE LAMPS
AC1-AC2	Nr.2 - 1000W IGNITERS
AC3-AC4-AC5	Nr.3 - 600W IGNITERS
CV1	Nr.1 - 4 µF CONDENSER
CV2	Nr.1 - 5 µF CONDENSER

SPRINTAREDDI S.p.A.
Via dell'Industria, 7 30020 GRUARO (VE)
tel. 0421/767630 - fax 767635

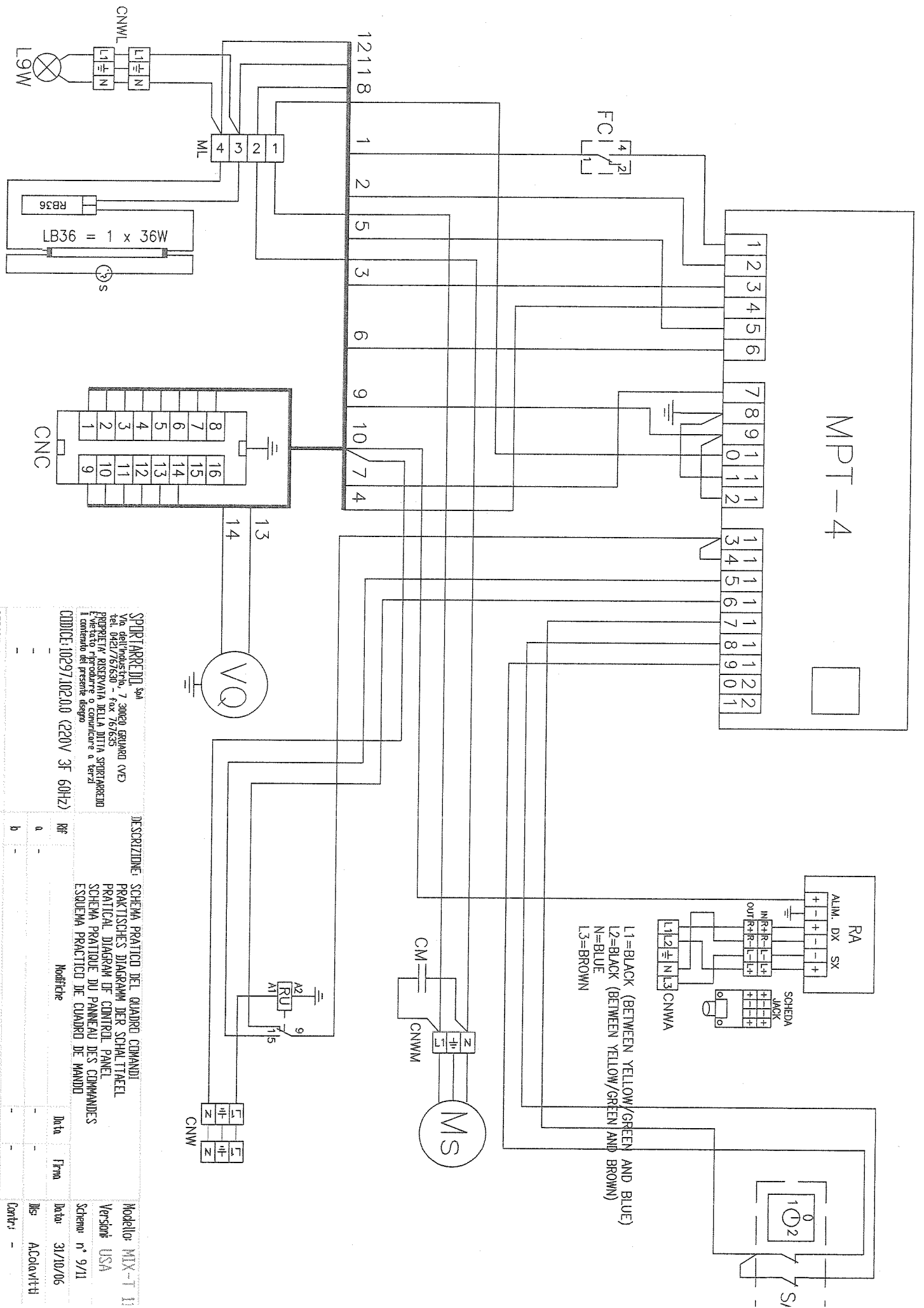
PROPRIETÀ RISERVATA DELLA DITTA SPRINTAREDDI
È vietato riprodurre o comunicare a terzi
il contenuto del presente disegno

CODICE: 10297102A00 (220V 3F 60Hz)

DESCRIZIONE: SCHEMA PRATICO DELLA TESTA
PRACTISCHES DIAGRAMM DES OBERTEILS
PRACTICAL DIAGRAM OF HEAD
SCHEMA PRATIQUE DELLA TETE
ESQUEMA PRACTICO DE LA PARTE SUPERIOR

Modifiche

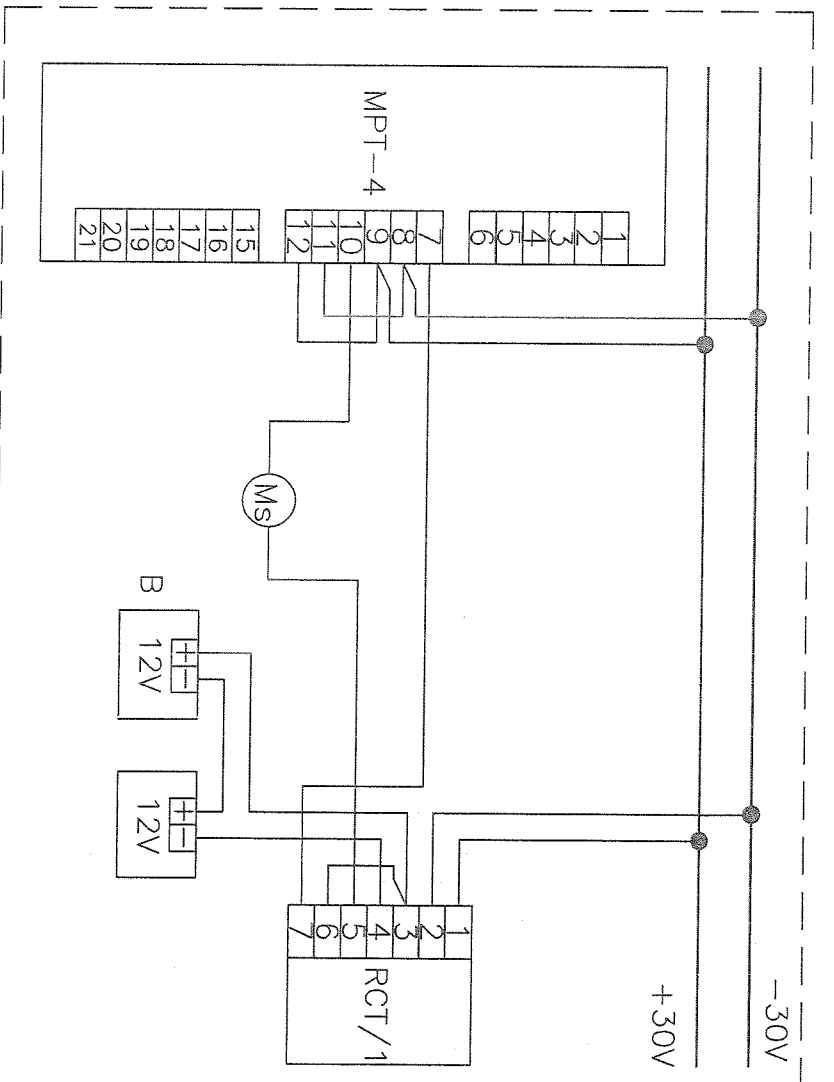
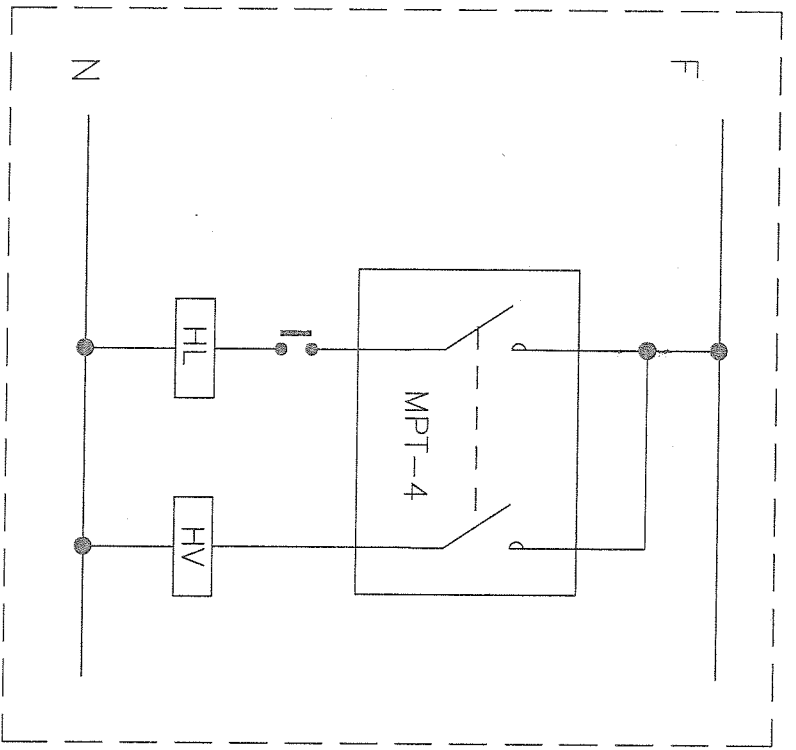
CODICE CASS./CABL.	M23A57/AB9-123356V/54H
Modeller	MIX-T 11
Versione	USA
Schema n°	8/11
Disegnato	31/10/06
Disegnato da	AColavitti
Contratto	-
File	P045Usa_8d



SPRINTAREDDI S.p.A.
 Via dell'Industria, 7 30020 GRUARO (VE)
 tel. 0421/767630 - fax 767635
 PROPRIETÀ RISERVATA DELLA DITTA SPINTAREDDI
 È vietato riprodurre o comunicare a terzi
 il contenuto del presente disegno
 CODICE: 10297.102.0.0 (220V 3F 60Hz)

DESCRIZIONE	SCHEMA PRATICO DEL QUADRO COMANDI	Modello	MIX-T 11
PRAKTISCHES DIAGRAMM DER SCHALTANLEI		Versione	USA
SCHEMA PRATIQUE DU PANNEAU DES COMMANDES		Schema n°	9/11
ESQUEMA PRACTICO DE CUADRO DE MANDOS		Inte	31/10/06
		Dis	Alcoviatti
		Contr	
		file	P045usa_9d

CODICE CASS./CABL. -



SPORTARREDDI s.m.
 Via dell'Industria, 7 30020 GIARANO (VI)
 tel. 0421/767630 - fax 767635
PROPRIETA' RISERVATA DELLA DITTA SPORTARREDDI
 Vietato riprodurre o comunicare a terzi
 il contenuto del presente disegno
CODICE: 1029710200 (220V 3F 60Hz)

DESCRIZIONE:		SCHEMA FUNZIONALE	
RF	-	BETRIEBSDIAGRAMM	Modifiche
a	-	FUNZIONAL. DIAGRAM	DATA
b	-	SCHEMA FONCTIONNEL	FRON
c	-	ESQUEMA FUNCTIONAL	

Modello:	MIX-T 11
Versione:	USA
Schema:	10/11
Dis:	Acclavitti
Contr:	-
file:	PI45usa_10.d

SE n°	A	PROTECTION
1	16 delay	LAMP 1 A.P. (1500W)
2	16 delay	LAMP 2 A.P. (1500W)
3	16 delay	LAMP 3-4 A.P. (600W)
4	16 delay	LAMPS 5 A.P. (600W)
5	16 delay	LAMPS 1-4 CANOPY B.P. (160W)
6	16 delay	LAMPS 5-8 CANOPY B.P. (160W)
7	16 delay	LAMPS 9-12 CANOPY B.P. (160W)
8	16 delay	LAMPS 1-8 BED B.P. (160W)
9	16 delay	LAMPS 9-16 BED B.P. (160W)
10	16 delay	LAMPS 17-20 BED B.P. (160W)
11	16 delay	FAN + CONTROL BOARD
12	1 delay	TRASF. T30
13	4 delay	MOTOR HEAD AC
14	6,3 delay	BATTERY MOTOR HEAD AC

CONNECTOR A	POSITION (A)	POSITION (B)	CONNECTOR
CNR	CONTROL BOX	BALLAST BOX H.P.	CNR
CNC	CONTROL BOX	CONTROL BOARD WIRING SYSTEM	CNC
CNT	CONTROL BOX	CANOPY LAMPS WIRING SYSTEM	CNT
CNB	CONTROL BOX	BED BALLASTS BOX L.P.	CNB
CNV	CONTROL BOX	FACE BALLASTS BOX H.P.	CNV
CON.T1	FACE BALLASTS BOX	CANOPY LAMPS WIRING SYSTEM	CON.T1
CNB32	BED BALLAST BOX L.P.	BED LAMPS L.P. WIRING SYSTEM	CNB32

SPORTAREDDI S.p.A.
Via dell'Industria, 7 30020 GRUARO (VE)
tel. 0421/767630 - fax 767635

DESCRIZIONE: SCHEMA FUSIBILI E CONNETTORI

PROPRIETA' RISERVATA DELLA DITTA SPORTAREDDI
È vietato riprodurre o comunicare a terzi
il contenuto del presente disegno

CODICE: 1029710200 (220V 3F 60Hz)

Modello: MIX-T 11
Versione: USA
Schema n° 11/11
Data: 31/10/06
Dis: A.Calavitti
Contr: -
File: P045usa_11.c

CODICE CASS./CABL. -