


SPORTARREDO[®] SpA

30020 GRUARO-ITALY - VIA DELL'INDUSTRIA 7

Tel. 0421/767676 Fax 0421/767670

Silver  Star



INSTALLATION, USE AND MAINTENANCE MANUAL

USA

INDEX**INDEX OF SECTIONS****1 - GENERAL INFORMATION**

1.1 Labels.....	pag. 2
1.2 Introduction.....	4
1.3 General tanning instructions.....	4
1.4 Transport and handling.....	5
1.5 Preparation for installation by the client.....	5

2 - SAFETY INFORMATION

2.1 General.....	6
2.2 Noise.....	6
2.3 Regulations.....	6

3 - TECHNICAL DATA

3.1 Dimensions and technical data SILVER STAR	7
--	---

4 - INSTALLATION

4.1 Pre-installation.....	7
4.2 Connections.....	7
4.3 Assembly instructions.....	8
4.4 Voltage-change.....	9

5 - USE

5.1 Control board.....	10
5.2 Safety of the persons exposed to UV.....	11
5.3 Programming the pre-defined session times.....	12

6 - ORDINARY MAINTENANCE MADE BY THE CUSTOMER

6.1 Ordinary maintenance.....	13
-------------------------------	----

7 - EXTRAORDINARY MAINTENANCE MADE BY A SKILLED TECHNICIAN

7.1 Extraordinary maintenance.....	15
7.2 Periodic control procedure.....	15

8 - CONTROL BOARD PROGRAMMING

8.1 Programming.....	21
8.2 Electronic control board connections.....	25

9 - TROUBLESHOOTING AND RAPID DIAGNOSTICS

9.1 Troubleshooting and rapid diagnostics.....	26
--	----

10 - DEMOLITION AND WASTE MATERIALS

10.1 Waste materials.....	26
10.2 Demolition of the machine.....	26

11 - REPLACEMENTS AND CIRCUIT DIAGRAMS

11.1 Spare parts list.....	27
11.2 Circuit diagrams legend.....	28

12 - MEDICATION

12.1 Medication.....	29
----------------------	----

13 - WARRANTY

13.1 Limited warranty.....	29
----------------------------	----

1 - GENERAL INFORMATION

1.1 LABELS

This device is intended to be used by only one person at a time. Lie on the bed and lower the canopy down to the stopping point.

CAUTION: EXPOSURE POSITIONS OTHER THAN SPECIFIED MAY RESULT IN OVEREXPOSURE AND ARE NOT RECOMMENDED.

Tanning normally begins after one to two exposures and maximizes after one to four (1-4) weeks of exposure following the recommended schedule for your skin type.

Wear protective eyewear.
Eyewear: SUN GLOBES

Read the instruction booklet before using tanning system.

RECOMMENDED EXPOSURE SCHEDULE

First three sessions should be at 48 hour intervals. Followed by the gradual increasing of exposure times until maximum tanning has occurred (in approximately 4 weeks). MAXIMUM EXPOSURE is 10 minutes.

Skin Type	Week 1 1st - 3rd Session	Week 2 4th - 6th Session	Week 3 7th - 9th Session	Subsequent Weekly Sessions
I	2 min	4 min	6 min	8 min
II	2 min	4 min	7 min	8 min
IV	2 min	5 min	7 min	9 min
V	2 min	6 min	8 min	10 min

This product is in conformity with performance standards for sunlamp products under No. 21 CFR 1040.20. This appliance is intended to be used with the following lamps:
Kalfasun B30F 600W
Kalfasun B23-S WHITE 100W
Kalfasun B23-S WHITE 150W

For replacement lamps, eyewear or parts, contact:
SPORTARREDO USA INC.
2224 Commerce Drive
ARLINGTON, TX 76011
(1-866-899-4TAN)

COPYRIGHT 2000



WARNING—ULTIMATE RADIATION—FOLLOW INSTRUCTIONS—FAILURE TO USE PROTECTIVE EYEWEAR MAY RESULT IN SEVERE BURNS OR OTHER EYE INJURY. IF INSTANT-ON DEVELOPS, DISCONTINUE USE AND CONSULT A PHYSICIAN.

ATTENTION—RAYONNEMENTS ULTRA-VIOLETS—SANS PROTECTION DES YEUX, CE PRODUIT PEUT CAUSER DES BRULURES OU LESIONS GRAVES—SI VOUS SENTEZ UN MALAISE, EN DISCONTINUER L'USAGE ET CONSULTER UN MEDICIN.

Avoid overexposure. An eye with neural sarcoma, squamous carcinoma can cause eye and other injury and allergic reactions. Reported exposure may cause premature aging of the skin and cancer. Medications or cosmetics may increase your sensitivity to the ultraviolet radiation. Consult physician before using, especially if you are taking medications or have a history of skin problems or believe you are especially sensitive to sun light. If you do not tan in the sun, you are taking vitamin from your diet or product.

Eviter surexposition. Comme avec la lumière naturelle du soleil, la surexposition peut causer (à long terme) des lésions graves et d'autres allergies. Une exposition répétée peut causer un vieillissement et même de la peau de cancer.

Si vous avez des yeux atteints d'un sarcome ou d'un carcinome, ou si vous avez une sensibilité accrue à la lumière ultraviolette, consultez votre médecin avant d'utiliser ce produit. Si vous ne tenez pas avec le soleil, vous prenez des vitamines de votre régime alimentaire, ou si vous avez des problèmes de peau, consultez votre médecin avant d'utiliser ce produit.

- **AVVERTENZA:** Non usare l'apparecchio se il tuo prototipo è un occhio o un seno.
- **ATTENTION:** Do not use the device if the lens glasses are dirty or damaged.
- **ACHTUNG:** Ni dotakna takle deljenje. Ne koristite ako je optika ili vizor oštećen.
- **ATTENZIONE:** Quando l'occhio o il seno sono protetti, non usare il prodotto.
- **ATENCIÓN:** No utilizar el aparato si el lente o el prototipo están dañados.

Cal. 1000010010 31

CAUTION
CONNECT ONLY TO A CIRCUIT PROTECTED BY A CLASS
A GROUND FAULT CIRCUIT INTERRUPTER.

ATTENTION
RISCHIERE SEULEMENT A UNE DERIVATION PROTEGEE
PAR UN DISPOSITIF DIFFERENCIEL DE CLASSE A.

FOR TERMINATING

WARNING!
DISCONNECT POWER SUPPLY BEFORE OPENING UNIT.

ACHTUNG!
VOR DER OFFNUNG DES GERÄTES SICH VON DER STROM LEISTUNG
DIE ELEKTROZITÄT ABZUSCHALTEN IST.

ATTENTION!
AVANT D'OUVRIR L'APPAREIL, S'ASSURER QU'IL N'Y A PAS DE
LA TENSION D'ALIMENTATION.

CUIDADO!
ANTES DE ABRIR EL APARATO HAY QUE ASEGURARSE DE QUE
ESTE CORTADA LA TENSION DE ALIMENTACION.

ATTENZIONE!
PRIMA DI APRIRE L' APPARECCHIO ACCERTARSI CHE SIA STATA
TOLTA LA TENSIONE DI ALIMENTAZIONE.

Cal. 1000010010 00

WARNING!
GROUNDING CIRCUIT CONTINUITY IS VITAL FOR SAFE OPERATION OF
EQUIPMENT. NEVER OPERATE EQUIPMENT WITH GROUNDING CONDUCTOR
DISCONNECTED.

AVERTISSEMENT!
POUR UN FONCTIONNEMENT SÛR, NE JAMAIS, UTILISER CET APPAREIL
QUAND LE CONDUCTEUR DE MISE À LA MASSE EST DÉCONNECTÉ.

Cal. 1000010010 00

WARNING:
HIGH LEAKAGE CURRENT - ENSURE PROPER GROUNDING.

AVERTISSEMENT:
COURANT DE FUITE ÉLEVÉ - FOURNIR UNE MISE À LA
TERRE EFFICACE

Cal. 1000010010 00

1- GENERAL INFORMATION

IMPORTANT

BEFORE OPERATING THE MACHINE, READ THE INSTRUCTIONS CONTAINED IN THIS OPERATING MANUAL CAREFULLY AND COMPLETELY.

KEEP THIS MANUAL AND ALL ENCLOSURES IN AN ACCESSIBLE PLACE WHERE IT CAN BE REFERRED TO BY ALL USERS (OPERATORS, MAINTENANCE PERSONNEL AND THOSE CLIENTS WHO ASK FOR DETAILED INFORMATION).

1.2 INTRODUCTION

This Operating Manual is designed for use by installers and operators, and should be read carefully and completely before the machine is operated.

This manual contains all the instructions and information necessary to operate the machine:

- Correct installation of the machine.
- Description of the functions of the machine.
- Information concerning basic safety and accident-prevention rules.
- Circuit diagrams.

The installers and the operators can use this manual to understand the characteristics of the machine and to learn the correct operating procedure.

1.3 GENERAL TANNING INSTRUCTIONS

DANGER! Ultraviolet Radiation.

Follow instructions. Avoid overexposure. As with natural sunlight, overexposure can cause eye and skin injury and allergic reactions. Repeated exposure may cause premature ageing of the skin and skin cancer.

WEAR PROTECTIVE EYEWEAR; FAILURE TO MAY RESULT IN SEVERE BURNS OR LONG-TERM INJURY TO THE EYES.

Medications or Cosmetics may increase your sensitivity to the ultraviolet radiation. Consult physician before using sunbed if you are using medications or have a history of skin problems or believe yourself especially sensitive to sunlight. If you do not tan in the sun, you are unlikely to tan from the use of this product. This device is intended to be used by only one person at a time. Lie on the bed and lower the canopy down to the stopping point.

CAUTION: EXPOSURE POSITIONS OTHER THAN SPECIFIED MAY RESULT IN OVEREXPOSURE AND ARE NOT RECOMMENDED.

Tanning normally begins after one to two exposures and maximizes after one to four (1-4) weeks of exposure following the recommended schedule for your skin type.

Skin type II.

This is the individual that usually burns easily and severely. Tans minimally or lightly and peels.

Skin type III.

Often referred to as "average" complexion burns moderately and tans about average.

Skin type IV.

This individual burns minimally, tans easily and above average.

Skin type V.

This individual's system rarely burns, tans easily and substantially.

Session times are calculated for a supply voltage of 208V.

This product is in conformity with performance standards for sunlamp products under No.21 CFR 1040.20.

RECOMMENDED EXPOSURE SCHEDULE

First three sessions should be at 48 hour intervals. Followed by the gradual increasing of exposure times until maximum tanning has occurred (in approximately 4 weeks). MAXIMUM EXPOSURE is 10 minutes.

Skin type	Week 1 1st-3rd Session	Week 2 4rd-6rd Session	Week 3 7rd-9rd Session	Subsequent Weekly Session
II	2 min.	4 min.	6 min.	8 min.
III	2 min.	4 min.	7 min.	8 min.
IV	2 min.	5 min.	7 min.	9 min.
V	2 min.	6 min.	8 min.	10 min.

This schedule is intended to be used with the following lamps: (standard configuration)

Kalfasun B23-S WHITE 160W
Kalfasun B23-S WHITE 100W
Kalfasun 630F

RECOMMENDED EXPOSURE SCHEDULE

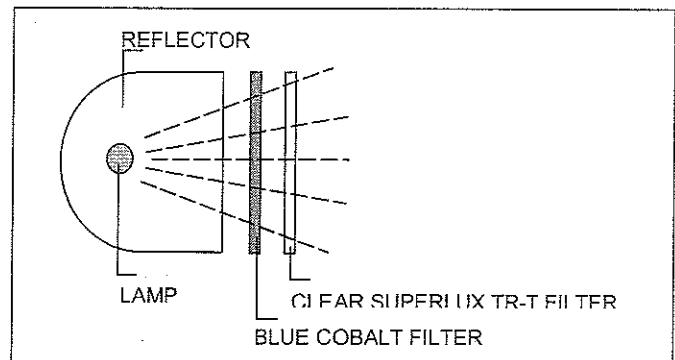
First three sessions should be at 48 hour intervals. Followed by the gradual increasing of exposure times until maximum tanning has occurred (in approximately 4 weeks). MAXIMUM EXPOSURE is 13 minutes.

Skin type	Week 1 1st-3rd Session	Week 2 4rd-6rd Session	Week 3 7rd-9rd Session	Subsequent Weekly Session
II	3 min.	5 min.	7 min.	10 min.
III	3 min.	6 min.	9 min.	11 min.
IV	3 min.	6 min.	9 min.	11 min.
V	3 min.	7 min.	10 min.	13 min.

This schedule is intended to be used with the following lamps: (on demand)

Kalfasun B17-S RAPID 160W
Kalfasun B14-S RAPID 100W
Kalfasun 630F

Blue cobalt filter and clear Superlux TR-T filter (together).



1.4 TRANSPORT AND HANDLING

The machine is carefully protected and loaded onto pallets before shipping. The various parts of the machine must never be transported or stored in positions which differ from the positions in which they are shipped. In this case, the warranty shall be null and void.

The machine must be handled with care in order to prevent the risk of damage to the packaged sections. All handling operations should be carried out by authorized and trained personnel. When the machine is delivered, immediately check that the packaging material is whole and that no damage has occurred during transport.

Any damage to the machine must be notified to the carrier not later than **eight calendar days** from the date of delivery. If internal damage is suspected, it is advisable to accept the machine reserving the right to check accordingly.

THE CARRIER IS RESPONSIBLE FOR ANY DAMAGE OCCURRING DURING TRANSPORT OF THE MACHINE. SPORTARREDO WILL MAKE EVERY EFFORT TO ASSIST THE CLIENT IN SUCH CASES

ALL MAINTENANCE OF THE MACHINE MUST BE PERFORMED BY SPECIALIZED TECHNICIANS FROM SPORTARREDO OR BY PERSONS AUTHORIZED BY SPORTARREDO USA INC.

**IMPORTANT !
ALWAYS DISCONNECT THE MACHINE FROM THE POWER SUPPLY BY PRESSING THE SWITCH BREAKER BEFORE CARRYING OUT MAINTENANCE**

1.5 PREPARATION FOR INSTALLATION BY THE CLIENT

Unless otherwise expressly specified in the contract, the following must be provided by the client:

- Connections to the electrical circuit, including the protective wire generally referred to as the "EARTH CONNECTION", unit feeding cable, power plug and circuit breaker.
- Canalization system for the emission of hot air.
- External air intake.
- All tools and equipment necessary for installation.

THE UNIT IS SUPPLIED FOR INPUT VOLTAGE AT 230V 3phase 60 Hz

AND IT IS SUPPLIED WITH THE FEEDING CABLE
To make a power cable connection or voltage-change, make reference to the chapter "INSTALLATION" paragraph "VOLTAGE-CHANGE" and to the SILVER STAR n° 1/6 electrical diagram.

These operation must be done by technical personnel.

THE BREAKER MUST BE INSTALLED IN THE POWER SUPPLY BOARD OF THE ESTHETICAL CENTRE AND IT MUST BE DONE BY THE CENTRE ITSELF.

Mod. SILVER STAR:

3x32A-30mA to feed 230V - 3phase 60Hz

2x40A-30mA to feed 230V - monophase 60Hz

The installation must be done by technical personnel.

THE POWER SUPPLY CONNECTION (UNIT-BOARD) MUST BE DONE BY THE CENTRE. THE SKILLED TECHNICIAN MUST USE A CERTIFIED CABLE WITH THE PROPER SECTION AND WITH ADEQUATE MECHANICAL PROTECTION, IN ACCORDANCE WITH THE RULES IN FORCE. *SEE CHAPTER 3.1 TABLES FOR TECHNICAL DATA "POWER SUPPLY CABLE SECTION"*

PLEASE CONTACT THE CUSTOMER SERVICE AT PHONE NUMBER

1-866-899-4TAN FOR ANY FURTHER DOUBT

Before the evening closing, or the closing for a prolonged period you should operate on the breaker in order to disconnect the power supply.

TO HAVE A CORRECT USE OF THE EQUIPMENT, THE ROOM TEMPERATURE MUST NOT EXCEED THE 86°F DEGREES. IF ROOM TEMPERATURE EXCEEDS THIS VALUE, WE SUGGEST TO UTILIZE AN AIR-CONDITIONING UNIT.

2 - SAFETY INFORMATION

2.1 GENERAL

The employer must ensure that the persons assigned to the operation of the machine receive adequate training concerning possible accident risks, the devices fitted for the safety of the operator and the client, the risks associated with the emission of UV light and the general accident-prevention regulations specified by international norms and local legislation.

Those responsible for operation, maintenance, cleaning and control of the machine must adhere strictly to the accident-prevention regulations applicable in the country in which the machine is installed.

Before operating the machine, the operator must be completely familiar with the position and the function of all the controls and with the characteristics of the machine. The operator must read this manual carefully and completely.

The machine must be operated by fully-qualified operators only.

Removal of the **safety devices** and protective barriers is strictly forbidden.

No heavy weights must be placed on the moving parts of the machine. The ventilation ducts and intake grilles must not be obstructed by foreign bodies.

The machine must always be switched off and disconnected from the power supply before performing any routine or special maintenance operations.

Unauthorised replacement of or repairs to any part or section of the machine, or the use of accessories or material that are not original or recommended by the manufacturer, may represent a risk of injury, and exonerate the manufacturer from all civil or penal liability.

It is forbidden to stay near the appliance while it is operating without eye protection.

"DANGEROUS ZONES": any zone internal to or in the vicinity of the machine in which the presence of an exposed person constitutes a risk for the safety and the health of that person.

"EXPOSED PERSON": any person who is wholly or partly in a dangerous zone.

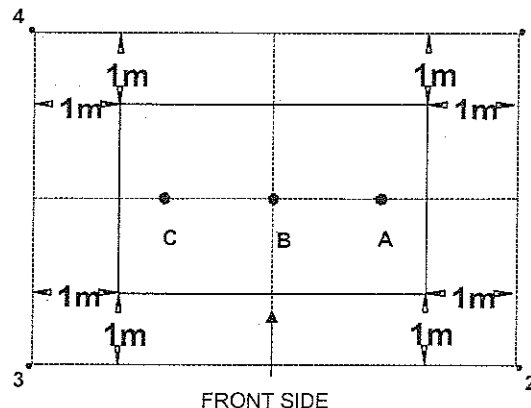
"OPERATOR": person or persons assigned to the installation, operation, adjustment, maintenance, cleaning, repair and transport of the machine.

2.2 NOISE

The machine is designed and built in such a way as to reduce operational noise as follows:

- Effective normalized sound power during operation, see diagram below:
1 - 2 = 62 dB (A) max 3 - 4 = 65 dB (A) max
- Effective sound pressure with simulation of the actual position of the person being treated:
A = 70 dB (A) max,
B = 72 dB (A) max,
C = 76 dB (A) max.

The figures shown above have been determined according to ISO 3746.



2.3 REGULATIONS

Standard for Safety Portable Sun/Heat Lamps, ANSI/UL 482, Ed: 9, Issue:2005/09/02 & Radiant Heaters and Infrared and Ultraviolet Lamp Assemblies for Cosmetic or Hygienic Purposes in Nonmedical Applications General Instruction No 1-2 (R2004), CAN/CSA C22.2 No 224, Issue: 1989/09/01.

In the planning of this unit the following rules and provisions of the European Community have been taken in consideration:

ECC Directive N. 91/368 dated 20.06.91, N.93/44 dated 14.06.1993, N.93/68 dated 22.07.

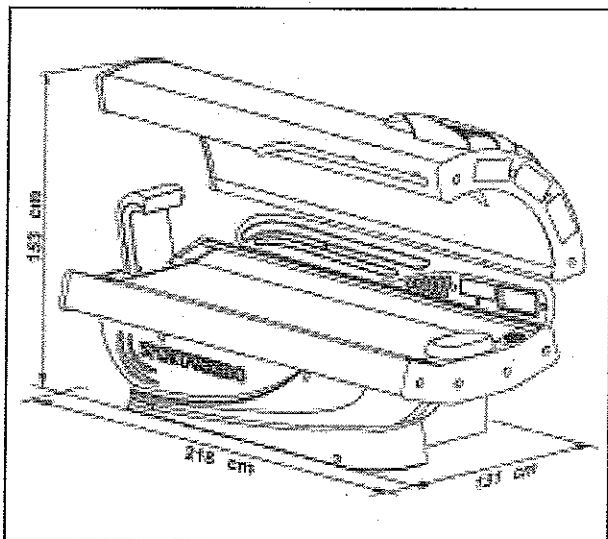
ECC Directive N.73/23 dated 19.02.73 known as "low voltage directive".

ECC Directive N.89/336 dated 03.05.1989 known as "Electronic compatibility directive".

En 60335-2-27 II part Special standard for units for the treatment of the skin with ultraviolet and infrared rays for home use and similar use.

3 - TECHNICAL DATA

3.1 DIMENSIONS AND TECHNICAL DATA SILVER STAR



MAXIMUM LENGTH	218 cm
MAXIMUM WIDTH	131 cm
MAXIMUM HEIGHT	153 cm
WEIGHT	380 Kg

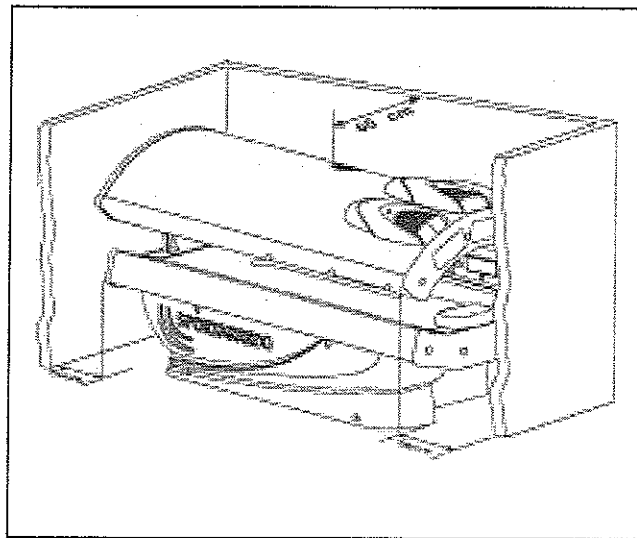
SILVER STAR	U.M	DATA	
POWER SUPPLY	V	230V 3ph	230V 1ph
NOMINAL POWER	KW	8	
NOMINAL CURRENT	A	23	36
POWER FACTOR CORRECTION		0,98	
FREQUENCY	Hz	60	
WIRE SIZE	AWG	11	7
NUMBER OF WIRE REQUIRED		4	3
HEAT PRODUCED	Kcal/h	6880	
CANOPY LAMPS	N.	20 KALFASUN B23-S White 160W	
INTENSIVE LAMPS	N.	3 KALFASUN 630F	
BASE LAMPS	N.	16 KALFASUN B23-S White 100W	

UV EMISSION

SEE RAY EMISSION CERTIFICATE

4 - INSTALLATION

4.1 PRE-INSTALLATION



In order to ensure correct operation of the machine, it should be installed in an area which has been prepared as shown in the figure.

4.2 CONNECTION

The area in which the machine is installed **must be adequately ventilated, fit the area with an air intake from outside if necessary.** To improve the technical comfort we suggest to connect the tube to expel the hot air to a fixed duct to expel the air outward

- The metal structure of the machine is earthed by means of insulated wires connected to the earth terminal in the electrical junction box.
- The earth circuit must be in full compliance in accordance with the rules in force.
- The earth connection must also be fitted to low-voltage systems situated in wet or very damp areas (if the voltage to earth is in excess of 25V for alternating current or 50V for direct current).
- The earth wires connected to every part of the various sections of the machine and the earth wires from the various power circuits and user groups must be connected to a single earthing circuit.
- Ensure that the materials used for the earth system are suitably robust and provided with adequate protection.
- The connection to the main earth terminal should be as short as possible. The earth wires should not be subjected to mechanical stress of any kind, and must be protected against corrosion.

4.3 ASSEMBLY INSTRUCTIONS

SEE ENCLOSED TABLE

- 1 - Fix the bed **A** to the lateral **B** using 4 M12x35 screws with 12x36 washer.
- 2 - Insert the two brackets **D** which support the upper section into the pushing in the lateral section. Ensure that the two limit-position bolt **D1** face upwards.
- 3 - Fix the control panel **C** on the our support using 4 M6x20 screws with 6x24 washer and washer with teeth.
- 4 - Fix the plastic panel **E** on the lateral and on the control panel **C** using 3 6x20 TBLEI screws.
- 5 - Slide the upper section **F** onto the support brackets **D** as far as allowed by the two limit-position bolts.
- 6 - Fix the upper section **F** to the brackets **D** using the two 4,8x13 large head screws provided **D1**.
- 7 - Fix the handle **G** (only manual unit) on canopy **F** using 3 6x60 screws and relative blue stopper.
- 8 - Insert the cover ventilation **H** on the foot side on the bed, using 3 3,9x13 large head screws. Insert the **N** grid on the rear of body ventilation.
- 9 - Put the boxes **L** and **L1** (see table 1).
Make the following connections:
32-pin connector from canopy **F** to the box **L1**,
24-pin connector from bed **A1** to the box **L**,
6-pin connector from box **L1** to the box **L**,
6-pin connector from the control panel **C** to the box **L**,
3-pin black connector from body ventilation **H** to the box **L**,
3-pin black connector from actuator motor to the box **L** (only electrical unit),
5-pin black connector from control panel **C** to bed **A1**.
- 10 - Connect the batteries placed in the internal side of the box **L1** to put in motion the automatic rising function.
- 11 - Connect the feeding cable to the box **L**.
- 12 - Fix the plastic panel **M** using the 4 screws 3,9x13.
- 13 - Connect the unit to the input voltage.
- 14 - Remove the mechanical block on the lateral. (Manual machine).

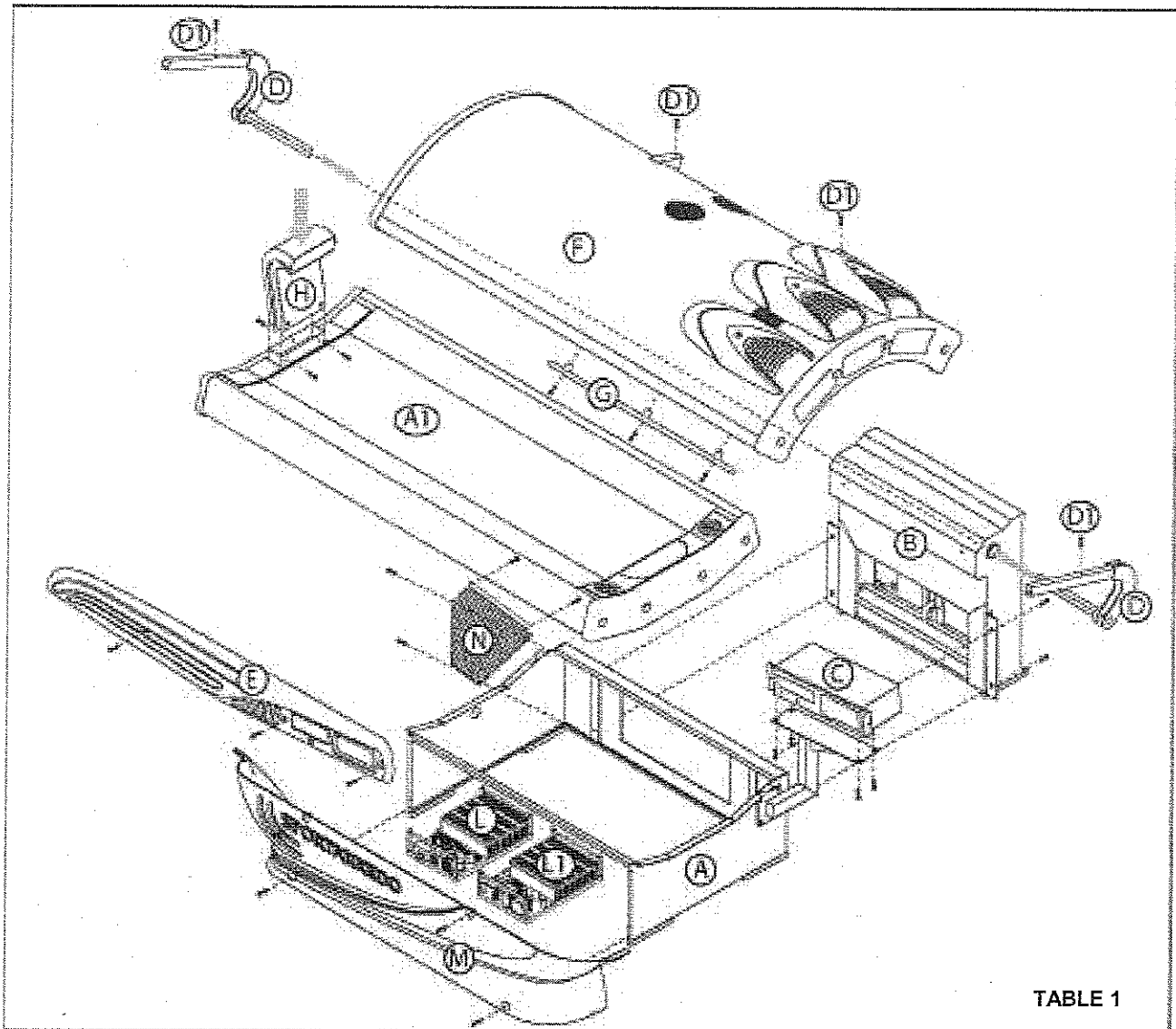


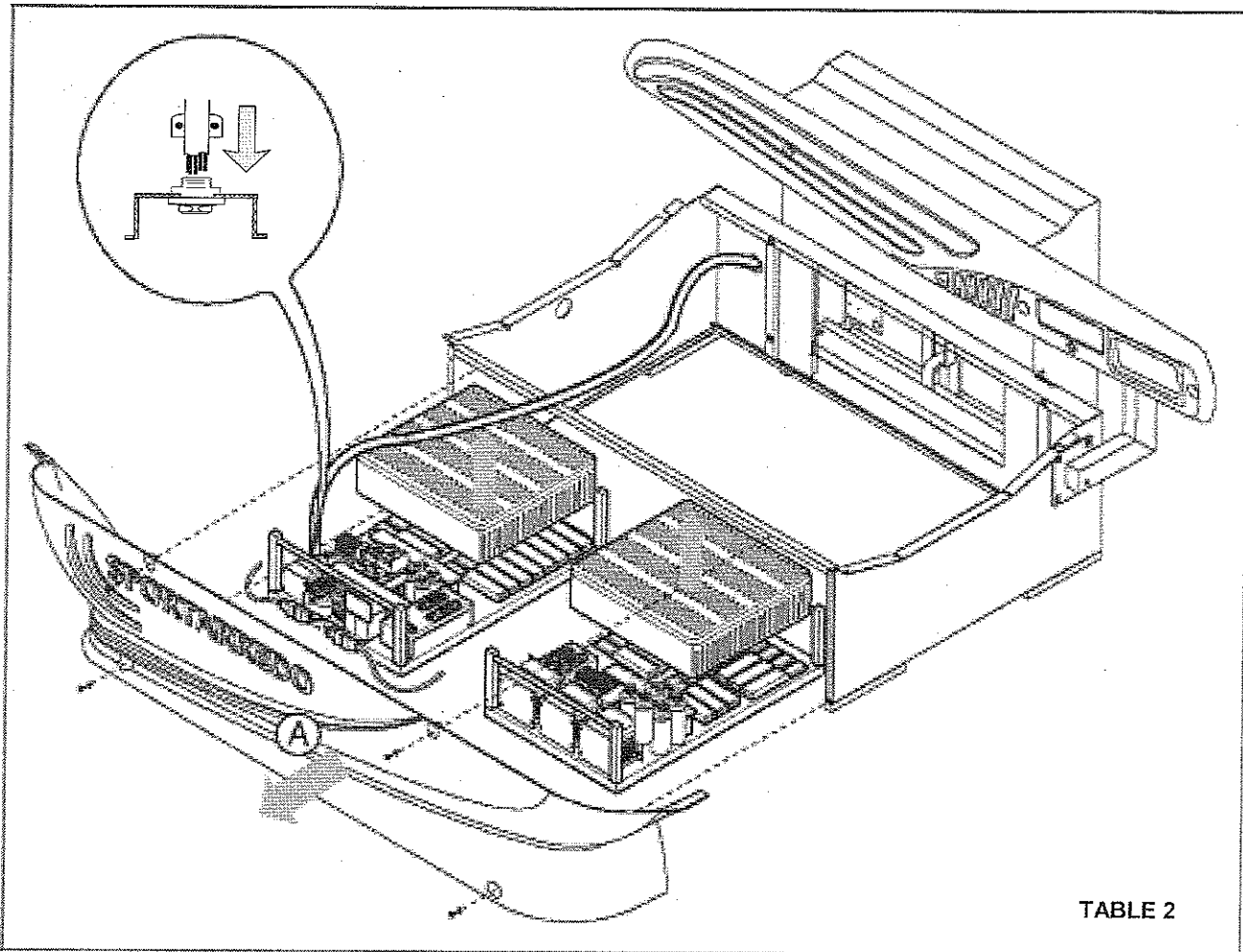
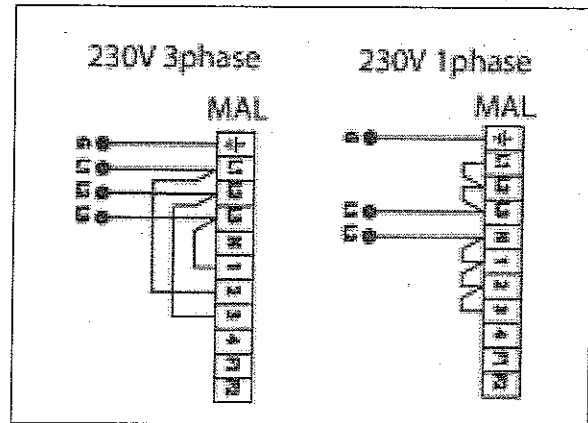
TABLE 1

4.4 VOLTAGE CHANGE

To enter the terminal board for power supply, placed inside the box feeders, make reference to table 2.

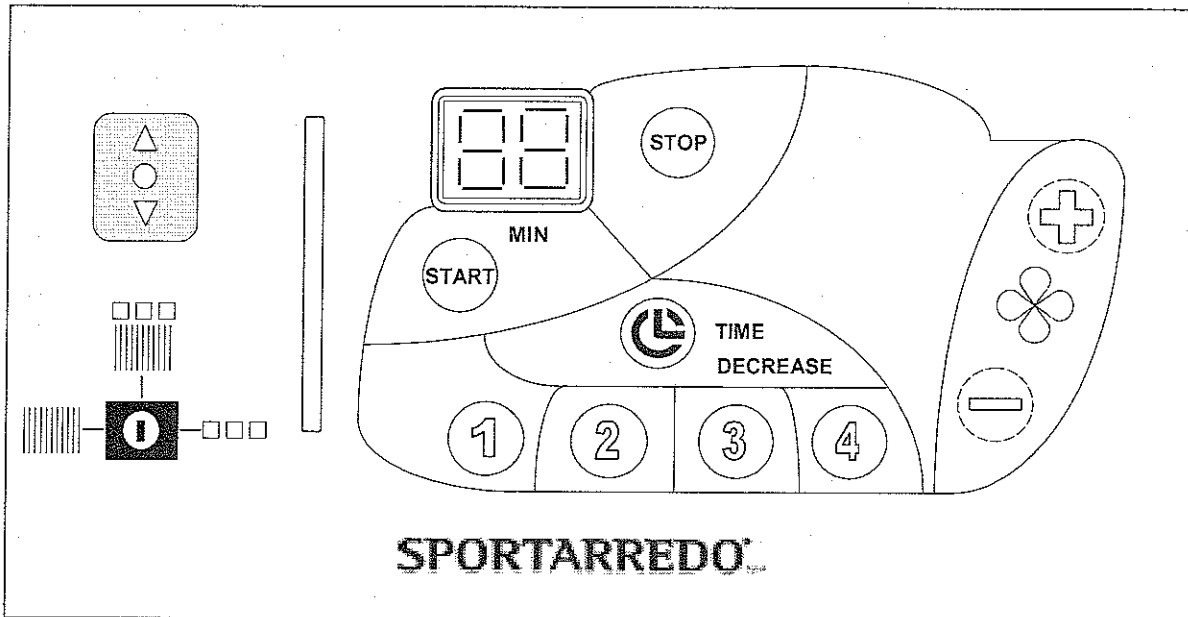
IMPORTANT !

**ALWAYS DISCONNECT THE MACHINE
FROM THE POWER SUPPLY BY
PRESSING THE SWITCH BREAKER
BEFORE CARRYING OUT
MAINTENANCE**



5 - USE

5.1 CONTROL BOARD



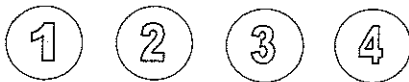
Pushing this button you start the tanning treatment.



The time button is used to decrease the duration of the treatment after the unit has been turned on. At each pressure of the button there's a decrease of 1 minute. The buttons marked "+" may be used to increase the power of the fan.



Through the buttons 1-2-3-4 the duration of the treatment is set out according to the customer skin type.



When the STOP button is pressed, the tanning lamps are switched off and the upper section (canopy) moves upwards. The tanning session is concluded.



When this button is pressed, the upper section descends to the normal operating position. Downward movement of the head is controlled by impulses; if the button is released, the downward movement is interrupted (only electrical unit).

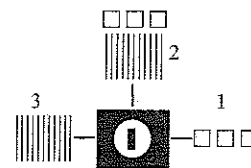


The buttons marked "-" may be used to decrease the power of the fan.

The machine is equipped with a radio so that the client can listen to music during the tanning session. The use of headphones is recommended.

PL This display lights when the appliance has been operated for 100 hours to indicate that routine maintenance must be performed.

SL This display lights when the appliance has been operated for 400 hours to indicate that it is necessary to call a qualified technician for special maintenance.



SELECTOR

- 1 - Switches on the high-pressure facial lamps.
- 2 - Switches on all the lamps (high-pressure and low-pressure).
- 3 - Switches on the low-pressure canopy and bed lamps.

5.2 SAFETY OF THE PERSONS EXPOSED TO UV

Don't use the unit in case of filter damages and timer faults!

ATTENTION!
AN IMPROPER OR INCORRECT USE OF THE UNIT CAN CAUSE SERIOUS BODILY DAMAGES TO THE PERSON EXPOSED!

From a careful analysis, as specified in EN 60335-2-27, the precautions that must be observed are listed below.

- 1) If the client is undergoing treatment using medication, such as antibiotics or anti-inflammatory pharmaceuticals, it is advisable to suspend tanning sessions. In any case, it is advisable to consult a doctor.
- 2) Before a tanning session, the skin should be clean and free of cosmetics or perfumes.
- 3) Be sure not to exceed the exposure times selected by the staff of the tanning centre.
- 4) Always use the special protective eyewear. The eyes must under no circumstances remain open during the tanning session.
- 5) After each tanning session, it is advisable to apply a moisturising cream.

It's advisable to:

- Not exposure any part of the body more than one time per day.
- Not exposure to the unit and sun in the same day.
- Do not expose yourself to the appliance if you usually burn with normal sunlight or if you suffer from sun-rash.
- Do not make UV session in case of pregnancy. In any case please consult your own attending physician before making the session.
- Do not expose to UV immediately after depilation treatments.
- Do not expose children or adults that are prone to or are suffering (or have previously suffered) from skin neoplasia.
- Consult the physician if on the skin swellings, ulceration's or red spots appear.

ATTENTION!

Ultraviolet radiation may cause injury to the eyes and skin, such as skin ageing and eventually skin cancer.

Read instructions carefully.

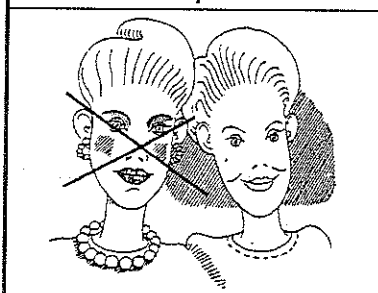
Wear the protective goggles provided.

Certain medicines and cosmetics may increase sensitivity.

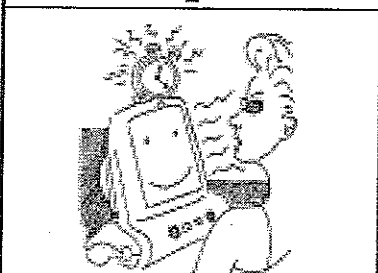
A copy of the following warnings is supplied with the manuals and must be shown to the public close to the unit.



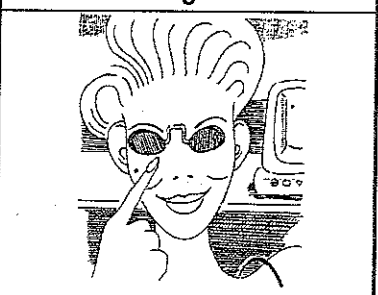
1



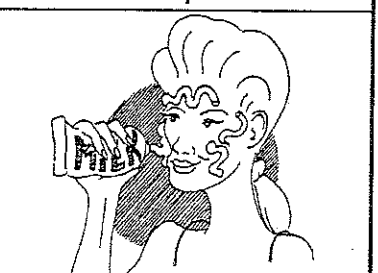
2



3



4



5

5.3 PROGRAMMING THE PRE-DEFINED SESSION TIMES

The electronic control of solarium permits to programme 4 pre-defined sessions time . Their programming should be carried out as follows:

Switch on the solarium and press the **Time** key and then key **2** in sequence and keep them pressed for about four seconds until P4 is displayed.

With ventilation keys **+** or **-** choose the function to be modified or displayed.

Parameters	Display	Value
Session time in minutes for skin type 4	P4	1-40
Session time in seconds for skin type 4	S4	0-59
Session time in minutes for skin type 3	P3	1-P4
Session time in seconds for skin type 3	S3	0-59
Session time in minutes for skin type 2	P2	1-P3
Session time in seconds for skin type 2	S2	0-59
Session time in minutes for skin type 1	P1	1-P2
Session time in seconds for skin type 1	S1	0-59

P4-SESSION TIME IN MINUTES FOR SKIN TYPE 4.

IV (Mediterranean) .

The **start** key displays the data relating to the function to be modified or read.

The ventilation keys **+** or **-** modifies the value according to the table.

The **stop** key confirms the value and exits the function.

The next function, i.e. S4, is displayed.

S4-SESSION TIME IN SECONDS FOR SKIN TYPE 4.

IV (Mediterranean) .

The same procedure as per function P4 is repeated.

When exiting, P3 is displayed.

P3- SESSION TIME IN MINUTES FOR SKIN TYPE 3.

III (European dark skin).

The same procedure as per function P4 is repeated.

When exiting, S3 is displayed.

S3- SESSION TIME IN SECONDS FOR SKIN TYPE 3.

III (European dark skin).

The same procedure as per function P4 is repeated.

When exiting, P2 is displayed.

P2- SESSION TIME IN MINUTES FOR SKIN TYPE 2.

II (European fair skin).

The same procedure as per function P4 is repeated.

When exiting, S2 is displayed.

S2- SESSION TIME IN SECONDS FOR SKIN TYPE 2.

II (European fair skin).

The same procedure as per function P4 is repeated.

When exiting, P1 is displayed.

P1- SESSION TIME IN MINUTES FOR SKIN TYPE 1. I

(Celtic).

The same procedure as per function P4 is repeated.

When exiting, S1 is displayed.

S1- SESSION TIME IN SECONDS FOR SKIN TYPE 1.

I (Celtic).

The same procedure as per function P4 is repeated.

When exiting, rF is displayed.

The pre-defined session times by the manufacturer are consistent with those indicated on the recommended exposure programs.

At each pressure of the "time decrease" button, the initial session time will be decreased of 1 minute; pushing again you can obtained in a decreasing way all the session times scheduled by the exposure programs.

**At this point, programming has been completed.
To return to normal operation, switch off and reset.**

6 - ORDINARY MAINTENANCE MADE BY THE CUSTOMER

6.1 ORDINARY MAINTENANCE

IMPORTANT!
ALWAYS DISCONNECT THE MACHINE FROM THE POWER SUPPLY BY PRESSING THE BREAKER SWITCH BEFORE CARRYING OUT MAINTENANCE

IMPORTANT!
USE ONLY THE DISINFECTANT CLEANSING THE TRANSPARENT AND BLUE COBALT FILTERS
N.B. DO NOT USE ALCOHOL OR ALCOHOL-BASED PRODUCTS FOR CLEANING

REMOVING AND CLEANING THE TRANSPARENT AND BLUE COBALT FILTERS

To make the cleaning of the filters it's necessary to make as follows on Table 2-3.

CHECK OF THE BLUE COBALT FILTER

To prevent the exposition to bad rays it's important to check the good conditions of the blue cobalt filters and the fixing condition to the metallic frame. If breaks or cracks are present do not use the equipment and call for a skilled technician maintenance.

CLEANING THE TRANSPARENT AND BLUE COBALT FILTERS

Clean the filters internally and externally using a 50% solution of water and denatured alcohol.

IMPORTANT!
USE ONLY THE DISINFECTANT CLEANSING MULTYSAN TO CLEAN THE ACRYLIC

ANY TAMPERING WITH THE APPLIANCE OR THE USE OF NON-ORIGINAL MATERIAL OR PARTS MAY LEAD TO INJURY. IN SUCH CASES, THE MANUFACTURER DECLINES ALL CIVIL AND PENAL LIABILITY, AND THE WARRANTY SHALL AUTOMATICALLY BE CONSIDERED NULL AND VOID.

FILTERS USED IN THIS APPLIANCE:

Cobalt filter 250x75mm
Superlux filter TR-T 24x21

REFLECTORS USED IN THIS APPLIANCE:

SF630

PL PILOT LAMP FOR ROUTINE MAINTENANCE

Every 100 hours of operation the letters PL appear on the appliance display alternating with the session time. This means that routine maintenance, consisting of cleaning of internal and external filters of the appliance, should be carried out.

The luminous signal is turned off by the following procedure:

- press key **Time** and **1** at the same time, until the pilot lamp **PL** appears;
- press key **Start** (the point disappears);
- press again key **Start** (PL flashing);

Now the resetting procedure begins and is shown by the fast flashing of the pilot lamp.

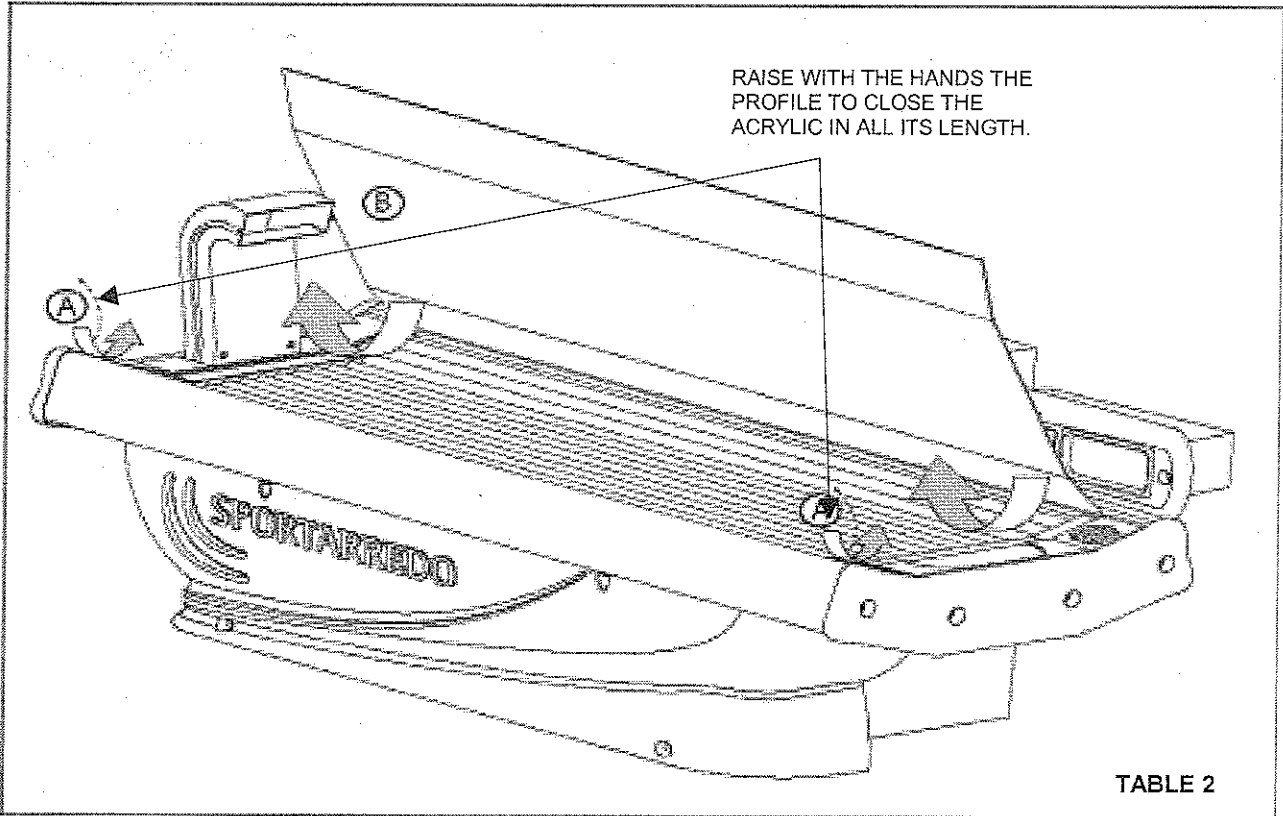
When the flashing stops, **PL** appears again;

- to return the sunbed to normal operational status, turn the electrical power off and then on again.

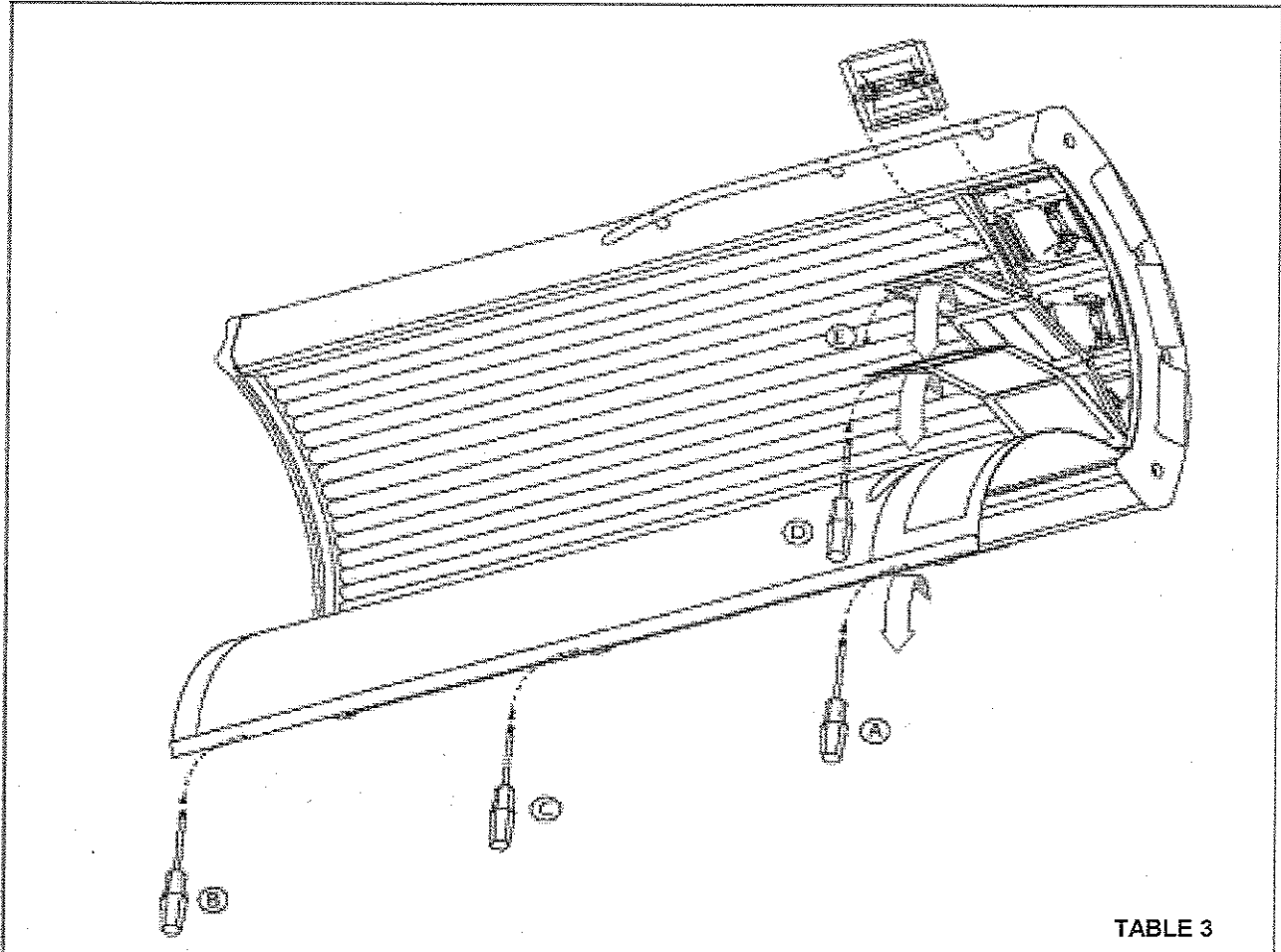
The resetting procedure is completed.

This procedure should be carried out with the appliance in stand-by mode.

REMOVING AND CLEANING THE ACRYLIC PANEL FITTED TO THE BED



REMOVING AND CLEANING THE BLUE COBALT FILTER AND ACRYLIC PANEL FITTED TO THE CANOPY



PERFORM THIS PROCEDURE IN STRICT ALPHABETICAL SEQUENCE

7 - EXTRAORDINARY MAINTENANCE MADE BY A SKILLED TECHNICIAN

7.1 EXTRAORDINARY MAINTENANCE

SL PILOT LAMP FOR SPECIAL MAINTENANCE

This lamp lights when the appliance has been operated for 400 hours this means that the following extraordinary maintenance operations should be carried out:

- cleaning of internal and external filters.
- replacement of the lamps.
- Check that the timer system is working correctly.
- Check that the SAFETY AND ACCIDENT PREVENTION instructions are legible and in satisfactory condition.
- Every 800 working hours replace the reflectors, the UV filters, the starters for the low-pressure lamps. Clean the fans and the inside of the machine.
- Every 1200 working hours replace the acrylics.

The luminous signal is turned off by following the procedure below:

- press key **Time** and **1** at the same time, until the pilot lamp **PL** appears;
- press key **+** appears **SL** ;
- press key **Start** (the point disappears);
- press again key **Start** (SL flashing);

Now the resetting procedure begins and is shown by the fast flashing of the pilot lamp.

When the flashing stops, **SL** appears again;

- to return the machine to normal operational status, turn the electrical power off and then back on.

The resetting procedure is finished.

This procedure should be carried out with the appliance in pause mode.

7.2 PERIODIC CONTROL PROCEDURES

Electrical checks. Check that the electrical safety devices, and the acoustic/illuminated signal devices and alarms are undamaged and that they function correctly. Check that the equipment and devices in the electrical control box are in satisfactory condition.

These checks must be performed by qualified personnel

IMPORTANT !
ALWAYS DISCONNECT THE MACHINE
FROM THE POWER SUPPLY BY
PRESSING THE BREAKER BEFORE
CARRYING OUT MAINTENANCE

IMPORTANT!
USE ONLY THE DISINFECTANT CLEANSING THE
TRANSPARENT AND BLUE COBALT FILTERS
N.B. DO NOT USE ALCOHOL OR ALCOHOL-BASED
PRODUCTS FOR CLEANING

CHECK OF THE BLUE COBALT FILTER

To prevent the exposition to bad rays it's important to check the good conditions of the blue cobalt filters and the fixing condition to the metallic frame. If breaks or cracks are present do not use the equipment and call for a skilled technician maintenance.

CLEANING THE BLUE COBALT FILTERS

Clean the filters internally and externally using a 50% solution of water and denatured alcohol.

IMPORTANT!
USE ONLY THE DISINFECTANT CLEANSING
MULTYSAN TO CLEAN THE ACRYLIC

ANY TAMPERING WITH THE APPLIANCE OR
THE USE OF NON-ORIGINAL MATERIAL OR
PARTS MAY LEAD TO INJURY. IN SUCH
CASES, THE MANUFACTURER DECLINES ALL
CIVIL AND PENAL LIABILITY, AND THE
WARRANTY SHALL AUTOMATICALLY BE
CONSIDERED NULL AND VOID.

MAINTENANCE OF THE COMPONENTS IN THE BOXES

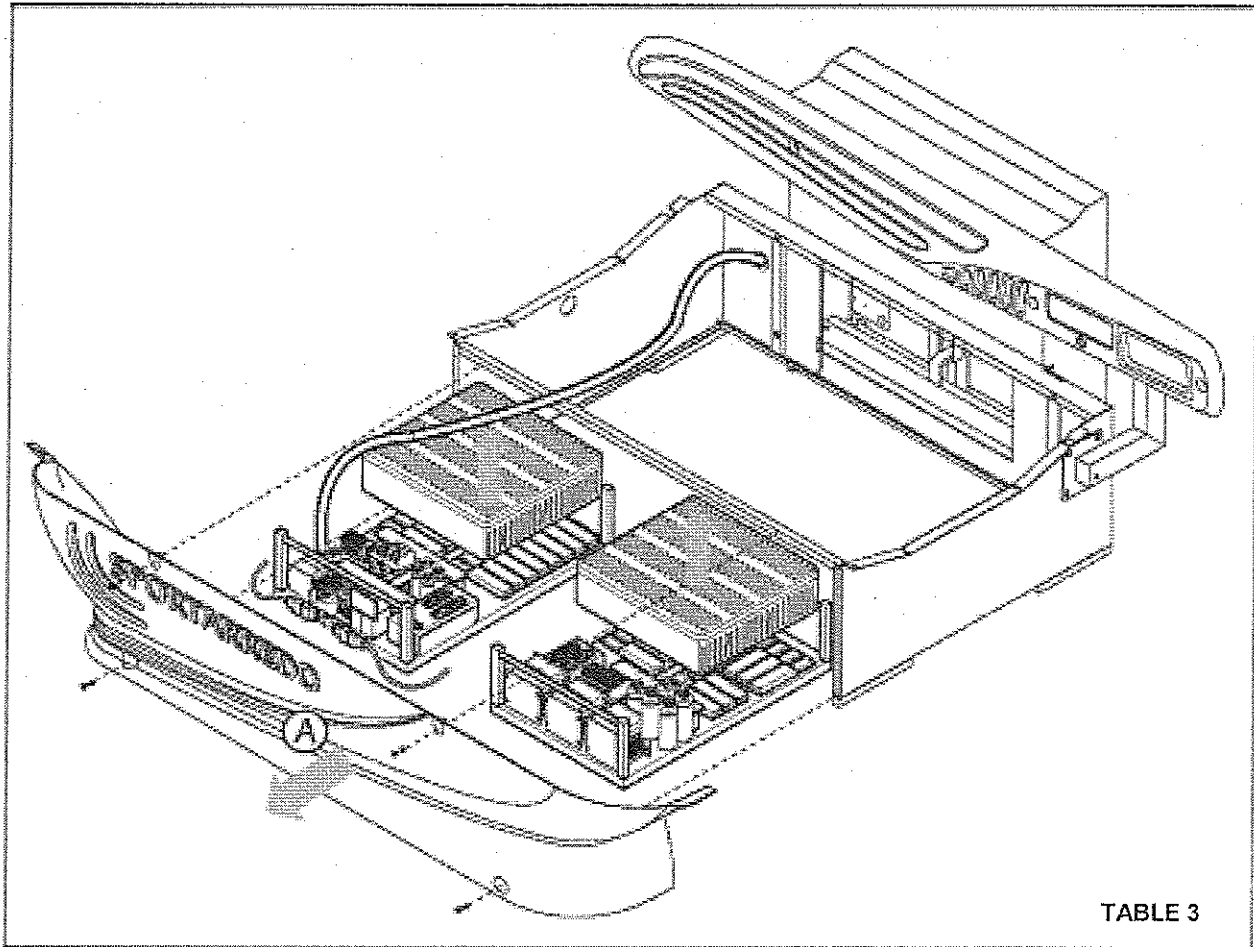


TABLE 3

REMOTE CONTROL CONNECTION

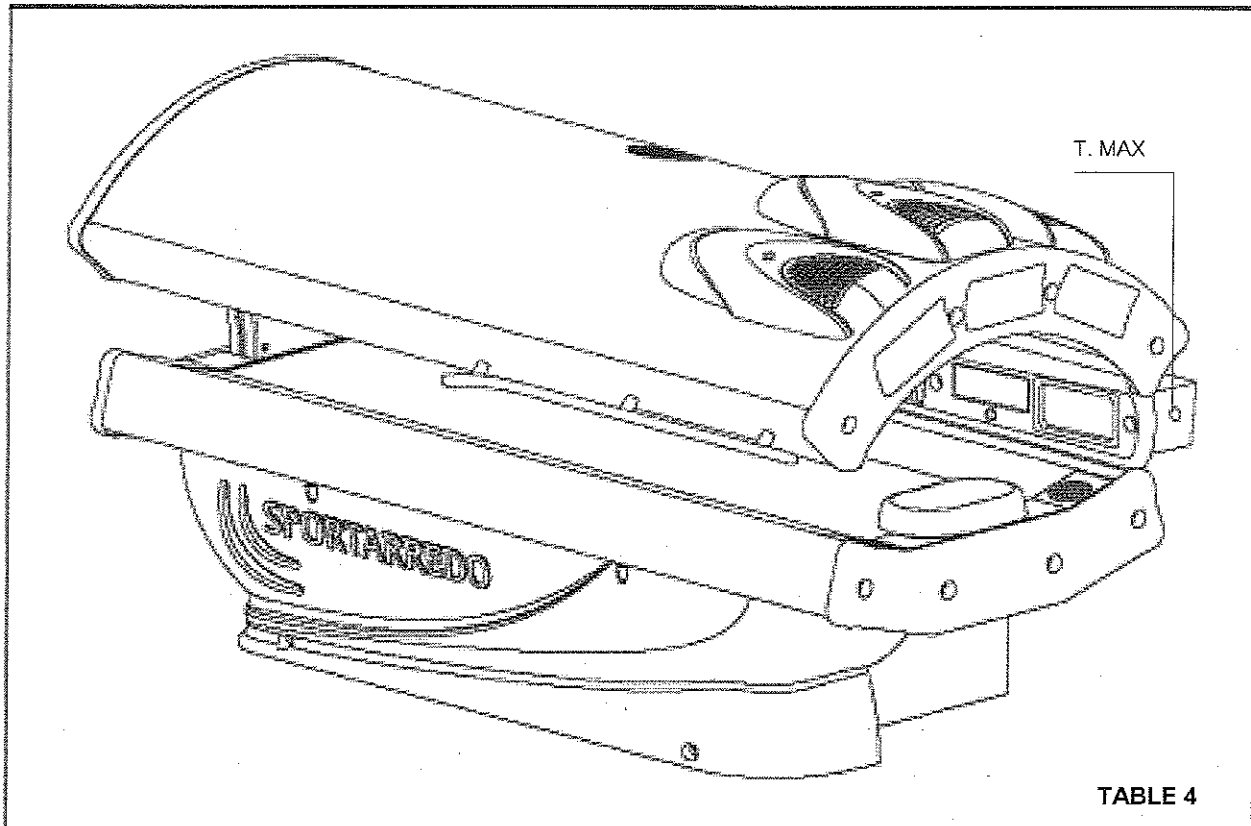
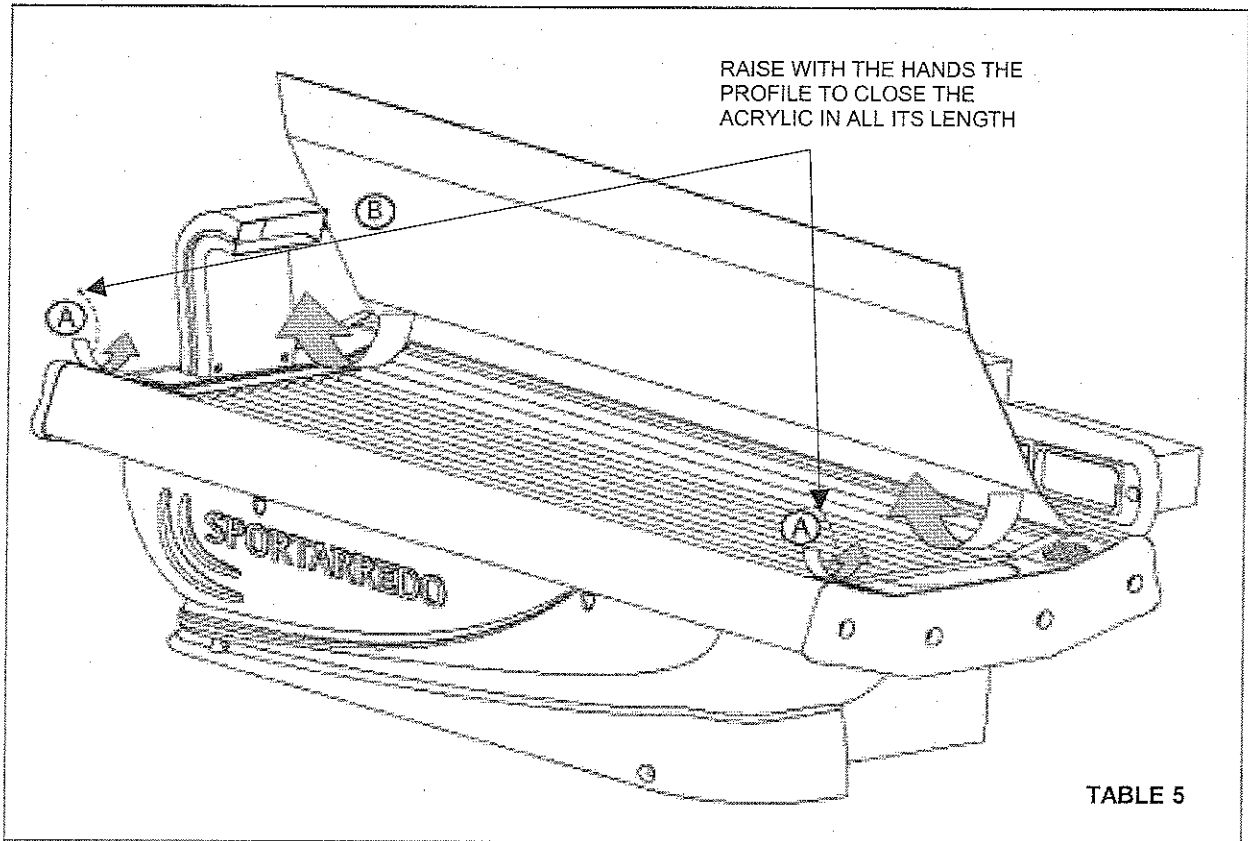


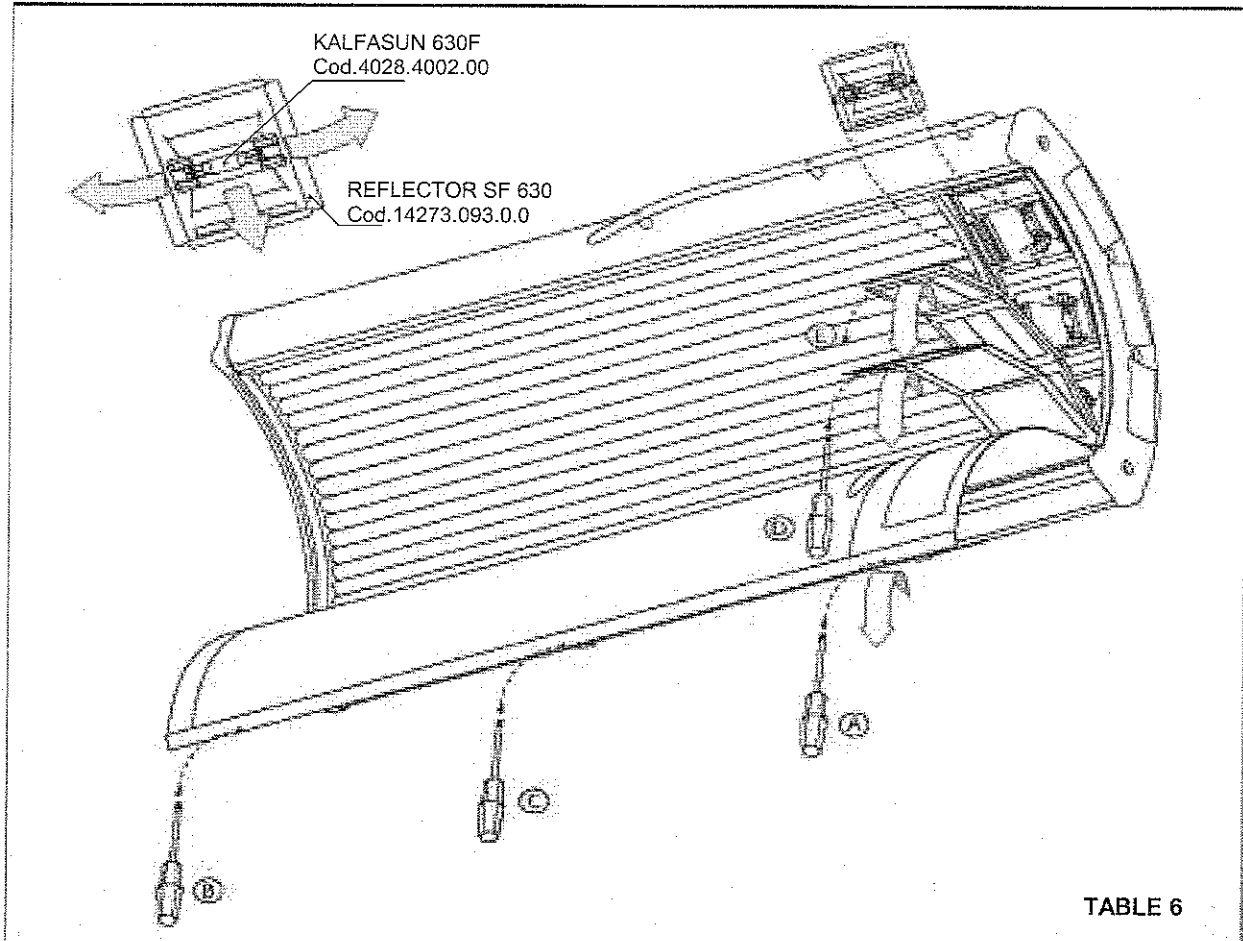
TABLE 4

PERFORM THIS PROCEDURE IN STRICT ALPHABETICAL SEQUENCE

REMOVING AND CLEANING THE ACRYLIC PANEL FITTED TO THE BED AND REPLACING THE LAMPS

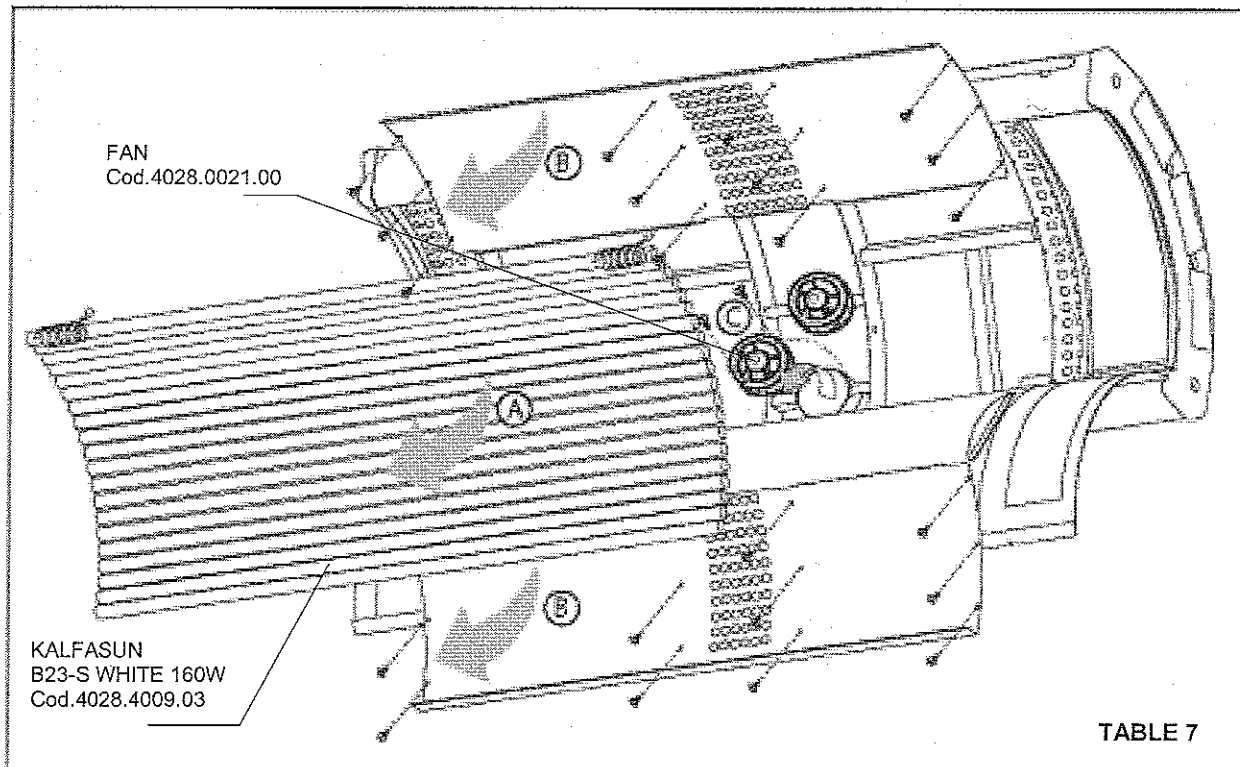


REPLACING THE FILTERS, REFLECTOR AND LAMPS FOR HIGH-LOW PRESSURE LAMPS

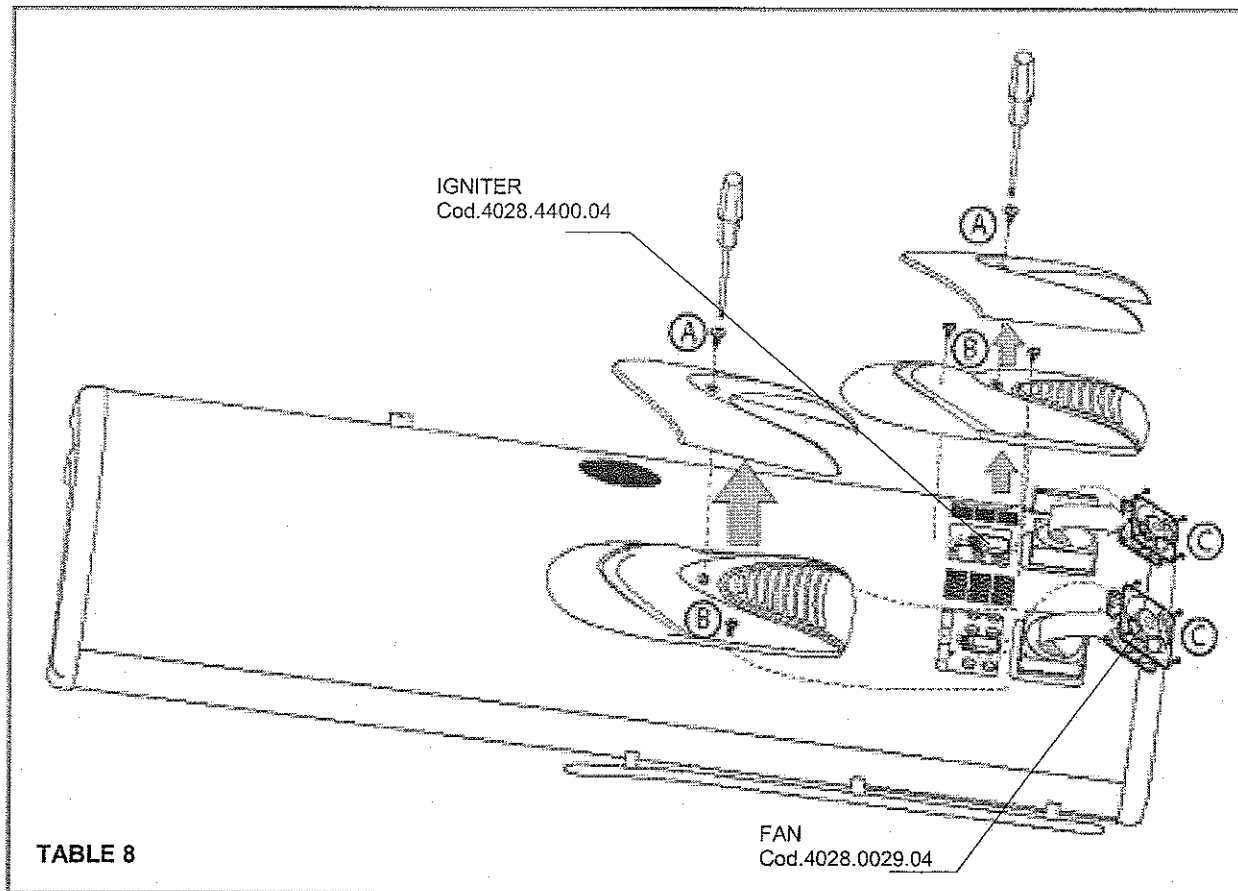


PERFORM THIS PROCEDURE IN STRICT ALPHABETICAL SEQUENCE

REPLACING THE CANOPY COOLING FAN

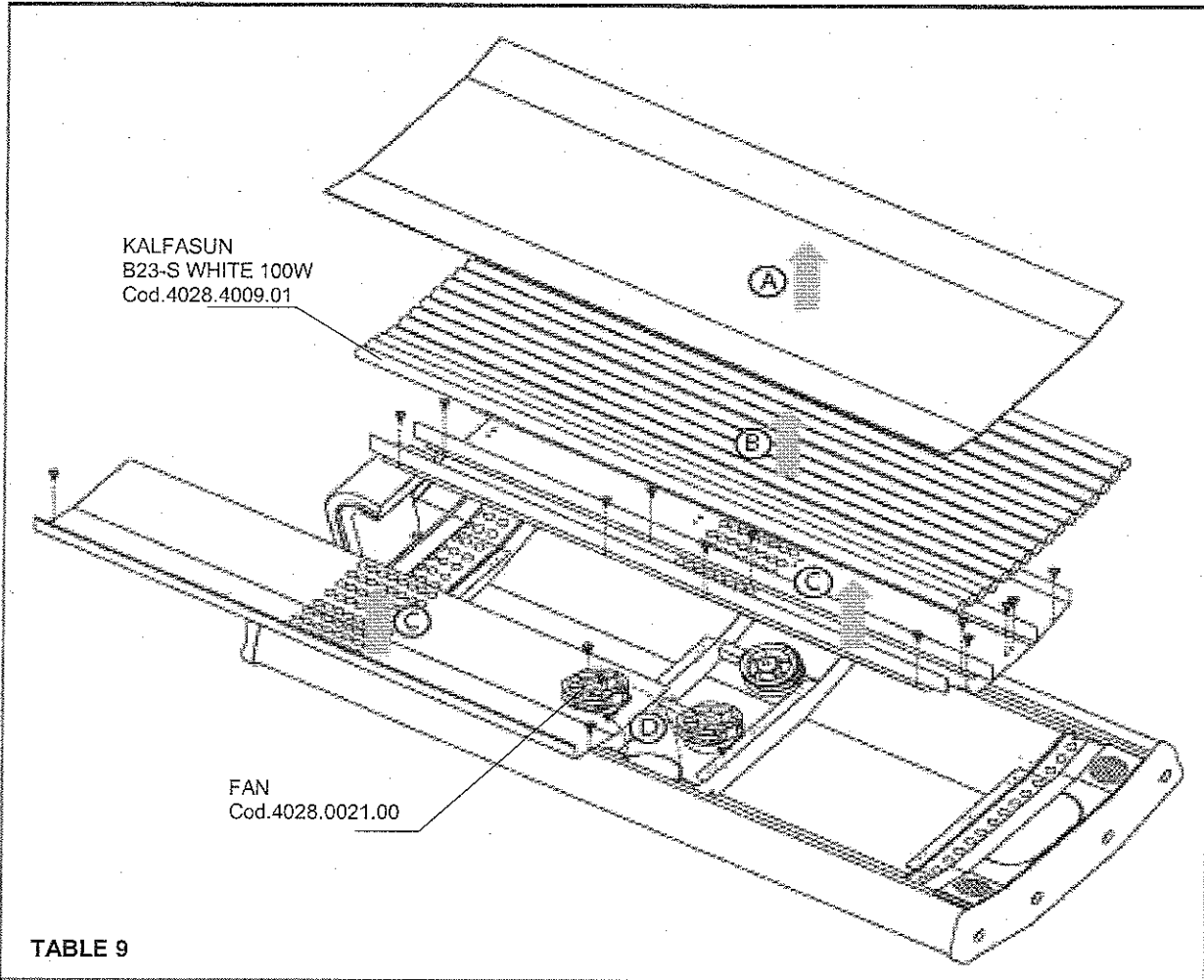


REPLACING THE IGNITERS AND INTENSIVE COOLING FAN

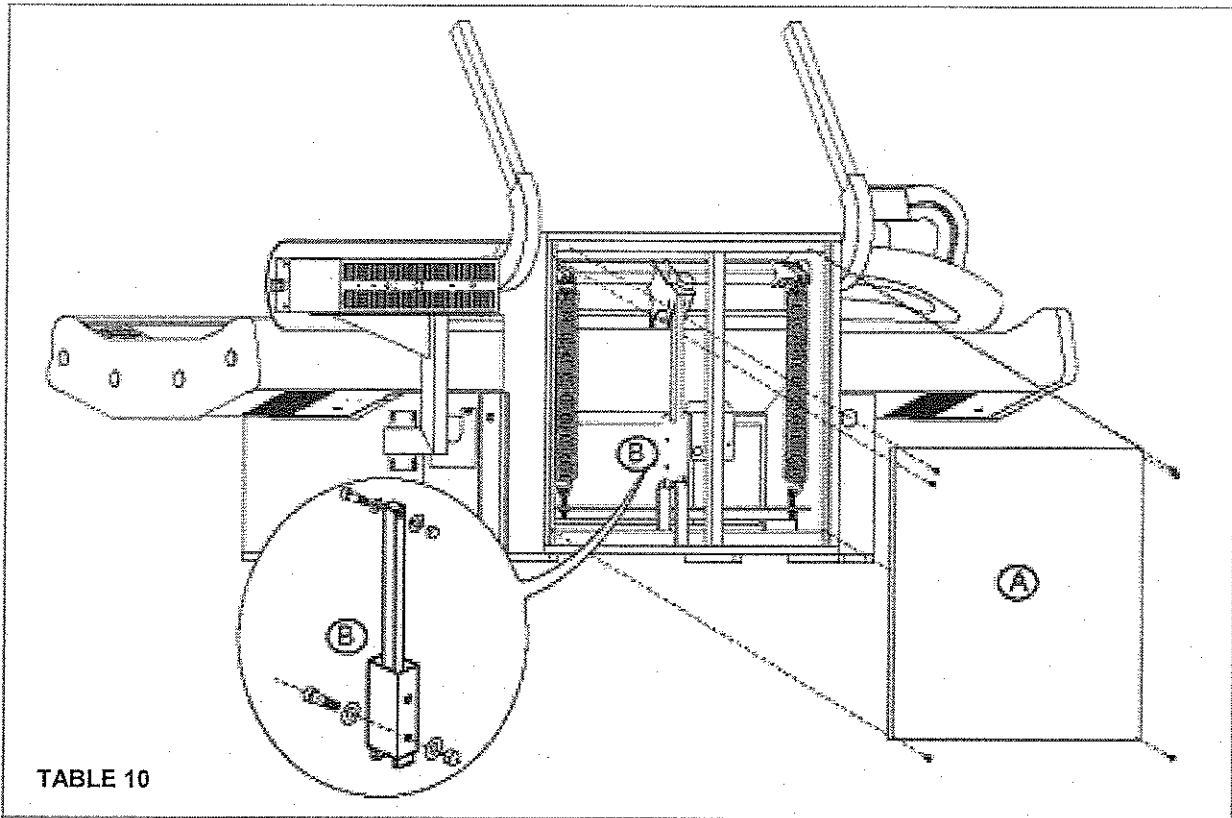


PERFORM THIS PROCEDURE IN STRICT ALPHABETICAL SEQUENCE

REPLACING THE BED COOLING FANS



SELF-BLOCKING SUBSTITUTION FOR LOWERING THE CANOPY (MANUAL UNIT)



PERFORM THIS PROCEDURE IN STRICT ALPHABETICAL SEQUENCE

ACTUATOR SUBSTITUTION FOR LOWERING THE CANOPY

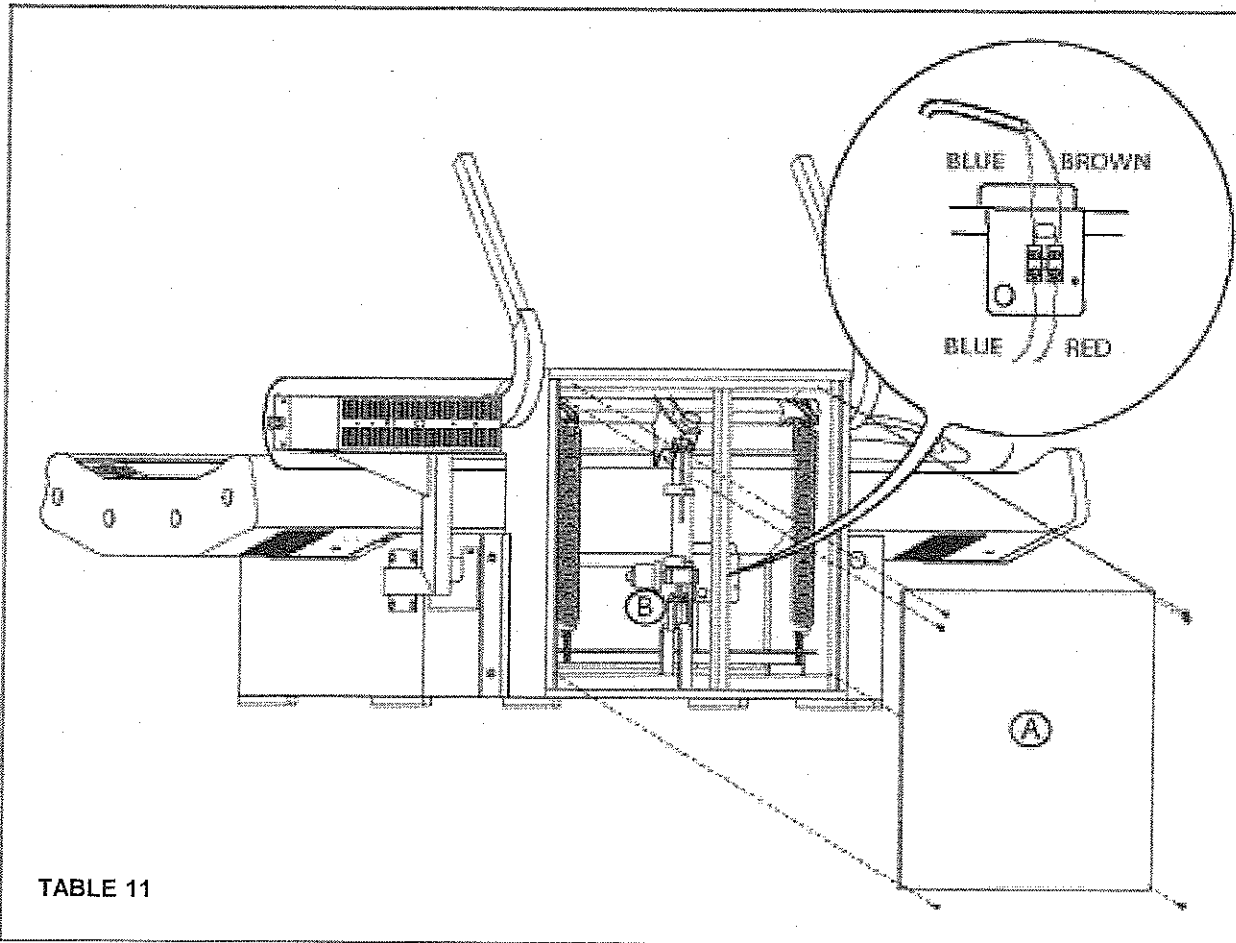
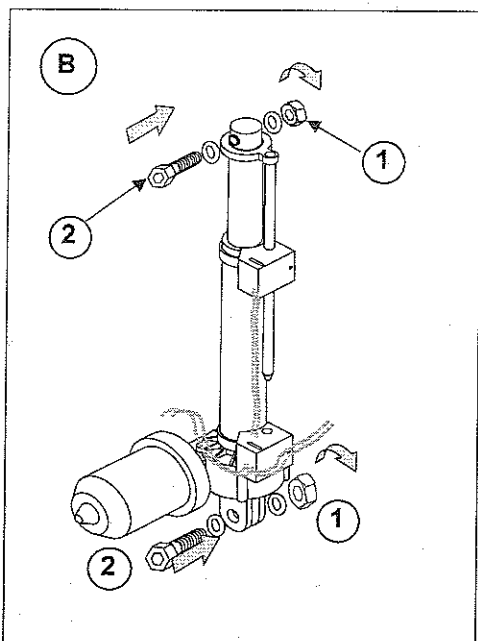


TABLE 11

PERFORM THIS PROCEDURE IN STRICT ALPHABETICAL SEQUENCE



- Remove the n° 4 screws and remove panel from the lateral A.
- Disconnect from the terminal board the feeding wires of the actuator.
- Support the canopy.
- Unscrew the block 1 and act on block 2 to release the screw nut. (detail B).
- Replace the actuator with an approved original spare part.
- To assemble the part act the opposite procedure, by paying attention to connect the feeding wires of the motor to the terminal board (red wire, blue wire).

8 - CONTROL BOARD PROGRAMMING

8.1 PROGRAMMING

Functions (firmware 1.3)	Display	Value	Standard
Session time in minutes for skin type 4	P4	1-40	*
Session time in seconds for skin type 4	S4	0-59	*
Session time in minutes for skin type 3	P3	1-P4	*
Session time in seconds for skin type 3	S3	0-59	*
Session time in minutes for skin type 2	P2	1-P3	*
Session time in seconds for skin type 2	S2	0-59	*
Session time in minutes for skin type 1	P1	1-P2	*
Session time in seconds for skin type 1	S1	0-59	*
Lamp cooling minutes	rF	3-8	*
Value of body ventilation at session start	bl	0-8	6
Value of body ventilation during cooling stage	bF	0-8	*
Minimum body ventilation	bd	0-8	0
Maximum body ventilation	bu	0-8	8
Type of body cooling ventilation: 0=fan 1=turbo	bt	0-1	0
Minutes for first coin	Pb	1-3	3
Time in seconds for first coin	Sb	0-59	0
Minutes for subsequent coin or accumulation of coins	Pu	1-3	3
Seconds for subsequent coin or accumulation of coins	Su	0-59	0
How to use	Ac	On-OFF	OF
Minutes for start delay and accumulation of coin	rS	0-99	0
Start key on keypad	tS	On-OFF	On
Delay stop on keypad	SS	On-OFF	Of
Function face/body selector	St	On-OFF	Of
Priority external start	SE	On-OFF	On
External start function	CS	On-OFF	Of
Relay control on CBR/4	Cb	0-3	0
Delay CBR/4 relay disactivation when start button is loosed	Ct	mSx10	10
** Buzzer enable	b	On-OFF	On
** Mid session buzzer enable	b2	On-OFF	On
Session time display	uS	On-OFF	On
Ascending or descending session time display	AS	On-OFF	OF
Operating mode predefined	tF	0-6	0
Residual time to black-out	tr	On-OFF	On
1 st Vocal message	n1	On-OFF	On
2 nd Vocal message	n2	On-OFF	On
3 rd Vocal message	n3	On-OFF	On
4 th Vocal message	n4	On-OFF	OF
Choice language of the messages	Li	1-6	1

* Value depends on the solarium.

**Only for MPT/4 control board

To modify or read the basic parameters of the MPT/4 or TRS/4 card, programming should be carried out as follows:

Switch on the solarium and press the **Time** key and then key **2** in sequence and keep them pressed for about four seconds until P4 is displayed.

With ventilation keys **+** or **-** choose the function to be modified or displayed.

P4-SESSION TIME IN MINUTES FOR SKIN TYPE 4.

IV (Mediterranean).

The **start** key displays the data relating to the function to be modified or read.

The ventilation keys **+** or **-** modifies the value (or logic status) according to the table.

The **stop** key confirms the value and exits the function.

The next function, i.e. S4, is displayed.

S4-SESSION TIME IN SECONDS FOR SKIN TYPE 4.

IV (Mediterranean).

The same procedure as per function P4 is repeated.

When exiting, P3 is displayed.

P3- SESSION TIME IN MINUTES FOR SKIN TYPE 3.

III (European dark skin).

The same procedure as per function P4 is repeated.

When exiting, S3 is displayed.

S3- SESSION TIME IN SECONDS FOR SKIN TYPE 3.

III (European dark skin).

The same procedure as per function P4 is repeated.

When exiting, P2 is displayed.

P2- SESSION TIME IN MINUTES FOR SKIN TYPE 2.

II (European fair skin).

The same procedure as per function P4 is repeated.

When exiting, S2 is displayed.

S2- SESSION TIME IN SECONDS FOR SKIN TYPE 2.

II (European fair skin).

The same procedure as per function P4 is repeated.

When exiting, P1 is displayed.

P1- SESSION TIME IN MINUTES FOR SKIN TYPE 1.

I (Celtic).

The same procedure as per function P4 is repeated.

When exiting, S1 is displayed.

S1- SESSION TIME IN SECONDS FOR SKIN TYPE 1.

I (Celtic).

The same procedure as per function P4 is repeated.

When exiting, rF is displayed.

rF-LAMP COOLING MINUTES.

When rF is displayed, the same procedure as per function P4 is repeated.

When exiting, bl is displayed.

bl-VALUE OF BODY VENTILATION AT SESSION START.

When bl is displayed, the same procedure as per function P4 is repeated.

When exiting, bF is displayed.

bF- VALUE OF BODY VENTILATION DURING COOLING STAGE.

When bF is displayed, the same procedure as per function P4 is repeated.

When exiting, bd is displayed.

bd-MINIMUM BODY VENTILATION.

When bd is displayed, the same procedure as per function P4 is repeated.

When exiting, bu is displayed.

bu-MAXIMUM BODY VENTILATION.

When bu is displayed, the same procedure as per function P4 is repeated.

When exiting, bt is displayed.

bt-TYPE OF BODY COOLING VENTILATION.

Enter function bt by pressing the start key. The display shows 0 (fan) or 1 (turbo). Change to 0 or 1, depending on the body cooling fan that is installed in the solarium, by following the same procedure as per function P4.

When exiting, Pb is displayed.

Pb-MINUTES FOR FIRST COIN.

When Pb is displayed, the minutes for start of session with coin can be modified by following the same procedure as per function P4.

When exiting, Sb is displayed.

Sb-TIME IN SECONDS FOR FIRST COIN.

When Sb is displayed, the seconds for start of session with coin can be modified by following the same procedure as per function P4.

When exiting, Pu is displayed.

Pu-MINUTES FOR SUBSEQUENT COIN OR ACCUMULATION OF COINS.

When Pu is displayed, the minutes for start of session with subsequent coins or accumulation of coins can be modified by following the same procedure as per function P4.

When exiting, Su is displayed.

Su-SECONDS FOR SUBSEQUENT COIN OR ACCUMULATION OF COINS.

When Su is displayed, the seconds for start of session with subsequent coins or accumulation of coins can be modified by following the same procedure as per function P4.

When exiting, Ac is displayed.

Ac-COIN ACCUMULATION FUNCTION.

When Ac is displayed, accumulation of coins is enabled (On) or disabled (OF) by following the same procedure as per function P4.

This function is operative if rS is other than 0.

When exiting, rS is displayed.

rS- MINUTES FOR START DELAY AND ACCUMULATION OF COIN.

When rS is displayed, the session start time delay can be modified by following the same procedure as per function P4.

If, for example, the value of this function is 2, the solarium starts after 2 minutes from pressing the start key. If the start key is pressed again, the solarium starts immediately.

If, however, the value is set to 99, the solarium remains in stand-by.

When exiting, tS is displayed.

tS- START KEY ON KEYPAD.

When tS is displayed, the start key on the keypad can be enabled (On) or disabled (OF) by following the same procedure as per function P4.

When exiting, SS is displayed.

SS - DELAY STOP ON KEYPAD

When SS is displayed, the stop key on the keypad can be delayed for 3 seconds (On) or normally operated (OF) by following the same procedure as per function P4.

When exiting, St is displayed.

St - FUNCTION FACE/BODY SELECTOR

When St is displayed, the face/body selector on the keypad can be disabled before Start (OF) or enabled during the session (On) by following the same procedure as per function P4.

When exiting, SE is displayed.

SE- PRIORITY EXTERNAL START.

When SE is displayed, the priority external start on the keypad can be enabled (On) or disabled (OF) by following the same procedure as per function P4.

When exiting, CS is displayed.

CS - EXTERNAL START FUNCTION

When CS is displayed, the external button to the Start can be disabled through a bridge (OF) or enabled without a bridge (On) by following the same procedure as per function P4.

When exiting, Cb is displayed.

Cb- RELAY CONTROL ON CBR/4.

Enter function Cb by pressing the start key. With ventilation keys + or - choose the function to be modified or displayed:

00 - CBR/4 relay disabled.

01 - The relay the contacts RUNN (7-8) on the CBR/4 board when the unit makes the session.

02 - The relay closes the contacts RUNN (7-8) on the CBR/4 board when the unit makes the session and final ventilation.

03 - The relay closes the contacts RUNN (7-8) on the CBR/4 board when the key start is pushing.

When exiting, Ct is displayed.

Ct-DELAY CBR/4 RELAY DISACTIVATION WHEN START BUTTON IS LOOSED

When Ct is displayed, the function to modify the delay (on milliseconds) of the relay CBR/4 disable activation can be obtained when the START button is loosed only with Cb at point 03 and with the same procedure as per function P4.

When exiting, b is displayed.

b- BUZZER ENABLE.

When b is displayed, the card loud speaker can be enabled (On) or disabled (OF) by following the same procedure as per function P4.

When exiting, b2 is displayed.

b2- MID SESSION BUZZER ENABLE.

When b2 is displayed, the card loud speaker is enabled (On) or disabled (OF) half-way through the session by following the same procedure as per function P4.

When exiting, uS is displayed.

uS-SESSION TIME DISPLAY.

When uS is displayed, the solarium session time can be enabled (On) or disabled (OF) by following the same procedure as per function P4.

When exiting, AS is displayed.

AS-ASCENDING OR DESCENDING SESSION TIME DISPLAY.

When AS is displayed, the time in ascending (On) or descending (OF) mode can be visualised by following the same procedure as per function P4.

When exiting, tF is displayed.

tF - OPERATING MODE PREDEFINED

Enter function tF by pressing the start key. With ventilation keys + or - choose the function to be modified or displayed:

00 - Operating mode standard or default.

01 - Operating mode with CARD without the choice of skin type and price for session.

02 - Operating mode with CARD and price for time to definition.

03 - Operating mode with CARD with the choice of skin type and price for session.

04 - Operating mode with external timer.

05 - Operating mode with computer (external control).

06 - Operating mode with CARD with the time price (dynamic charge).

When exiting, tr is displayed.

tr - RESIDUAL TIME TO BLACK-OUT

When tr is displayed, the function to memorize (On) or enable (OF) the residual time is on if a black-out occurs during the session with the same procedure as per function P4.

When exiting, n1 is displayed.

n1-FIRST VOCAL MESSAGE.

When n1 is displayed, the vocal message can be enabled (On) or disabled (OF) by following the same procedure as per function P4.

When exiting, n2 is displayed.

n2-SECOND VOCAL MESSAGE.

When n2 is displayed, the vocal message can be enabled (On) or disabled (OF) by following the same procedure as per function P4.

When exiting, n3 is displayed.

n3-THIRD VOCAL MESSAGE.

When n3 is displayed, the vocal message can be enabled (On) or disabled (OF) by following the same procedure as per function P4.

When exiting, n4 is displayed.

n4-FOURTH VOCAL MESSAGE.

When n4 is displayed, the vocal message can be enabled (On) or disabled (OF) by following the same procedure as per function P4.

When exiting, Li is displayed.

LI-CHOICE LANGUAGE OF THE MESSAGES.

When Li is displayed, choose one of the 6 languages by following the same procedure as per function P4.

01=Italiano
02=English
03=Español
04=Greek
05-06=free

When exiting, P4 is displayed.

**At this point, programming has been completed.
To return to normal operation, switch off and reset.**

Maintenance functions	Display
To zero for filter cleaning	PL.
To zero for bulb replacement	SL.
Display of number of sessions	nS.
Display of lamp operating hours	oL.
Display of filter operating hours	oF.
Display of total solarium operating hours	oS.
Display of firmware card date	dC.

To modify or read the maintenance functions of the MPT/4 or TRS/4 card, programming should be carried out as follows:

Switch on the solarium and press the **Time** key and then key **1** in sequence and keep them pressed for about four seconds until PL is displayed. With ventilation keys **+** or **-** choose the function to be modified or displayed.

PL- TO ZERO FOR FILTER CLEANING

When PL. is displayed, press start to enter the function. PL without the point is displayed. Press the start key again and the display flashes for a few seconds. At this point the hours are zeroed and the associated lamp switches off. Press the stop key to confirm the data. By pressing ventilation key **+** the following SL function is displayed

SL- TO ZERO FOR BULB REPLACEMENT

When SL. is displayed, press start to enter the function. SL without the point is displayed. Press the start key again and the display flashes for a few seconds. At this point the hours are zeroed and the associated lamp switches off. Press the stop key to confirm the data. By pressing ventilation key **+** the following nS function is displayed

nS- DISPLAY OF NUMBER OF SESSIONS.

When nS is displayed, press start to enter the function. The format of the data displayed is as follows:

position "." number

position: indicates the value of the figure. E.g.: 1 for units, 2 for tens, 3 for hundreds ...and so on.

number: indicates the value of the figure relating to the position.

E.g.: the card has carried out 008594 sessions.

When pressing the start key, the display shows	1.4
When pressing the start key again	2.9
When pressing the start key again	3.5
When pressing the start key again	4.8

Therefore, the figure is 8594

If the start key is pressed again, the display again shows the data indicated in position 1.

Note: even if the card memorises a maximum of 6 figures, the zeros on the left-hand side are not displayed.

Press the stop key to exit the function and oL is displayed.

oL- DISPLAY OF LAMP OPERATING HOURS.

When oL is displayed, press start to enter the function. The number of lamp operating hours is displayed. To read the number, repeat the same sequence as per function nS. Press the stop button to exit the function and oF is displayed.

oF- DISPLAY OF FILTER OPERATING HOURS.

When oF is displayed, press start to enter the function. The number of filter operating hours is displayed. To read the number, repeat the same sequence as per function nS. Press the stop button to exit the function and oS is displayed.

oS- DISPLAY OF TOTAL SOLARIUM OPERATING HOURS.

When oS is displayed, press start to enter the function. The total number of solarium operating hours is displayed. To read the number, repeat the same sequence as per function nS. Press the stop button to exit the function oS. When exiting, dC is displayed.

dC- DISPLAY OF FIRMWARE (software microcontroller) CARD DATE.

When dC is displayed, press start to enter the function. The year and then the week of the firmware is displayed.

E.g.:

When pressing the start key, the display shows	1.4
When pressing the start key again	2.0
When pressing the start key again	3.4
When pressing the start key again	4.3

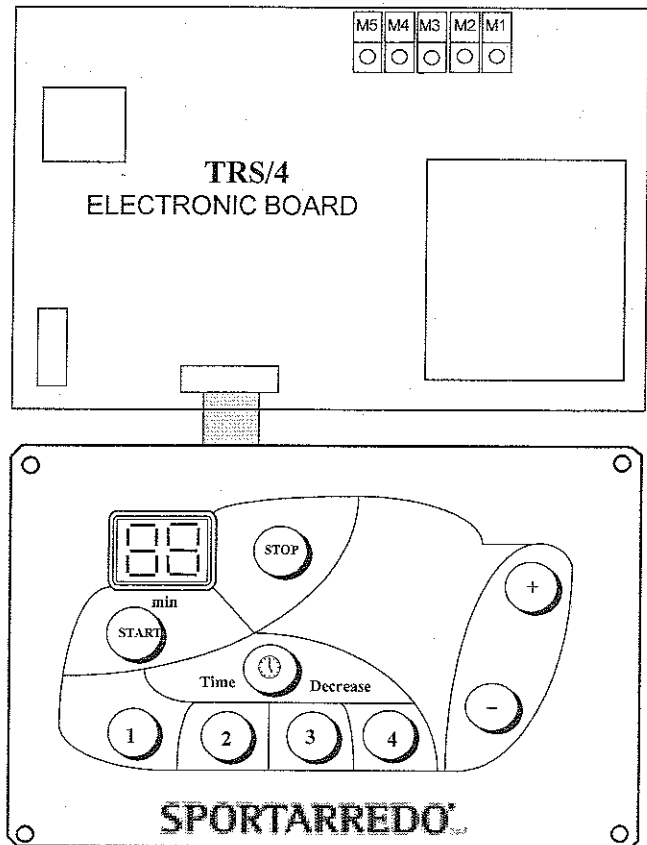
Therefore, the figure is 3404. In practice the firmware is of the 34th week of year 2004.

If the start key is pressed again, the display again shows the data indicated in position 1.

Press the stop key to exit the dC function. When exiting, PL is displayed.

At this point, programming has been completed.

To return to normal operation, switch off and reset.

8.2 ELECTRONIC CONTROL BOARD CONNECTIONS**CIRCUIT BOARD TERMINALS: NUMBERING AND DESCRIPTION**

1	Power supply phase.
2	Power supply neutral
3	Control phase for lamps switch-on
4	Alimentation phase
5	Control phase for body-cooling ventilation

IMPORTANT !

ALWAYS DISCONNECT THE MACHINE FROM THE POWER SUPPLY BY PRESSING THE SWITCH BREAKER DIFFERENTIAL BEFORE CARRYING OUT MAINTENANCE

ANY TAMPERING WITH THE APPLIANCE OR THE USE OF NON-ORIGINAL MATERIAL OR PARTS MAY LEAD TO INJURY. IN SUCH CASES, THE MANUFACTURER DECLINES ALL CIVIL AND PENAL LIABILITY, AND THE WARRANTY SHALL AUTOMATICALLY BE CONSIDERED NULL AND VOID.

9 - TROUBLESHOOTING AND RAPID DIAGNOSTICS

9.1 TROUBLESHOOTING AND RAPID DIAGNOSTICS

- **The solarium does not switch on and the pushbutton display panel does not light.**
 - 1 - Check that the power supply terminal board "MAL" is connected to the power supply.
See enclosed circuit diagram Silver Star n° 1/6-2/6.
 - 2 - Check the fuses on the timer board "TRS/4".
 - 3 - Check the voltage (230V) across terminals 1 and 2 on board "TRS/4".
See enclosed circuit diagram Silver Star n° 6/6.
- **The display panel lights up but the solarium does not switch on when START is pressed.**
 - 1 - Check the existing connection "bridge or J1" across terminals 1 and 2 on electronic board "CBR/4". See enclosed circuit diagram Silver Star n° 6/6.
 - 2 - Switch the solarium off using the overload cut-out switch, wait 5 seconds and then switch on again.
- **The display panel lights up but when START is pressed the ventilation system only is switched on.**
 - 1 - Check that remote control switches "HRA" "HRB" operate correctly. See enclosed circuit diagram Silver Star n° 2/6.
 - 2 - Check the voltage 230V across terminals 2 and 3 of the timer board "TRS/4".
See enclosed circuit diagram Silver Star n° 6/6.
- **The display panel lights up but when START is pressed only the lamps switch on (no ventilation).**
 - 1 - Check that remote control switch "RV" operates correctly. See enclosed circuit diagram Silver Star n° 2/6.
 - 2 - Check the voltage 230V across terminals 2 and 5 of the timer board "TRS/4".
See enclosed circuit diagram Silver Star n° 6/6.
- **Body cooling system inoperative or cannot be regulated.**
 - 1 - Check the voltage (variable up to a maximum of 230V) across terminals 2 and 6 of the timer board ("TRS/4"). See enclosed circuit diagram Silver Star n° 6/6.
- **One of the high-pressure or low-pressure does not switch on.**
 - 1 - Check for voltage on the wiring to the lamp. Check the ignition reactor or the starter for the lamp.

WARNING: The central terminals of the igniters for the high-pressure lamps carry extremely high voltage.

- **The ceiling section cannot be raised or lowered.**
 - 1 - Check fuses "F1", "F2", "F3", which are located inside control box.
 - 2 - Check that the primary of transformer "T30" carries a voltage of 230V, and that the secondary carries 24V ~. See enclosed circuit diagram Silver Star n° 2/6.
 - 3 - Check that the output of the diode bridge "PD" carries 30Vcc.
See enclosed circuit diagram Silver Star n° 2/6.
 - 4 - Check that circuit board "RCT", motor "AT" and circuit board "TRS/4" function correctly.
See enclosed circuit diagrams Silver Star n° 2/6 and 6/6.
- **The ceiling section cannot be raised or lowered in case of power failure.**
 - 1 - Check that the standby battery "B" is charged.
 - 2 - Check that circuit board "RCT" functions correctly.
 - 3 - Check the voltage 24V DC across the terminal board "CNW2".
See enclosed circuit diagram Silver Star n° 6/6.
- **The radio does not work.**
 - 1 - Check that the output of the power supply module "AL12" carries 12VDC.
See enclosed circuit diagram Silver Star n° 2/6 and 6/6.

10- DEMOLITION AND WASTE MATERIALS

10.1 WASTE MATERIALS

The lamps are considered as disposable waste materials and all the materials regarding the packing. Due to their characteristics, these lamps are classified as non-toxic and non-harmful **special waste materials**. Disposal of the lamps must therefore be effected as required by the appropriate legislation.

Batteries must be discharged as differentiated waste following the specific rules in force in each country.

DEFINITION OF SPECIAL WASTE MATERIAL:

Residual material deriving from industrial processes or agricultural, artisan, commercial or service activities which, in view of their quantity of characteristics, are not classified as normal household refuse.

10.2 DEMOLITION OF THE MACHINE

Each country applies specific legislation concerning the disposal of machinery. Disposal of this machine must be carried out in compliance with the regulations laid down by local legislation and bye-laws. Dismantle the machine and group the various parts according to their chemical characteristics.

Dismantling of the machine must be performed by qualified personnel

11 - REPLACEMENTS AND CIRCUIT DIAGRAMS

11.1 SPARE PARTS LIST

REF	PC	CODE	DESCRIPTION
1	3	4028.4400.04	ZRM6 ES B IGNITOR
2	2	4027.3020.16	STORAGE BATTERIES 12V 1.2A
3	16	4028.1001.06	100W 60Hz BALLAST
4	20	4028.1001.08	160W 60Hz BALLAST
5	1	14703.018.0.0	12V FEEDER U
6	3	16973.000.0.0	MYSUN 600W BALLAST
7	1	4028.1002.03	36W MEC FEEDER
8	2	4027.3030.04	LP 101.20 LOUDSPEAKER
9	1	4027.3028.01	ANTENNA
10	1	4027.0010.04	ACTUATOR ALI3
11	1	4027.3025.07	RADIO/CD
12	9	4028.4300.00	65µF CONDENSER
13	1	4028.4304.00	20µF CONDENSER
14	1	4028.4305.01	4µF CONDENSER
15	2	4028.6000.01	REVALCO HOUR-COUNTER
16	2	4028.2101.03	AUXILIARY CONTACT IR22
17	2	4028.2101.10	BRETER CONTACT
18	1	4028.2100.00	FANTINI&COSMI HR 0910 CONTACTOR
19	1	4028.2100.06	FANTINI&COSMI HR 2510 CONTACTOR
20	1	16946.310.00	CUSHION SILVER STAR
21	1	4028.2184.00	MARQUARDT SWITCH
22	1	4026.1010.04	LIMIT SWITCH
23	2	4028.3125.05	5A FUSE
24	1	4028.3126.09	1A FUSE
25	1	4027.5010.00	DIODE BRIDGE
26	9	16976.052.0.0	COBALT FILTER 200X75
27	3	16976.003.0.0	SUPER LUX TR-T 24X21 FILTER
28	16	4028.4009.01	KALFASUN B23-S WHITE 100W LAMP
29	20	4028.4009.03	KALFASUN B23-S WHITE 160W LAMP
30	1	4028.4013.03	LAMP PHILIPS 36W
31	3	4028.4002.00	KALFASUN 630F LAMP
32	1	14213.051.0.0	BLUE HANDLE (MANUAL)
33	2	16960.008.0.0	TRACTION SPRING C.720
34	3	14273.093.0.0	SF630 REFLECTOR
35	1	16946.282.0.0	CANOPY ACRYLIC
36	1	16946.288.1.0	BASE ACRYLIC
37	36	4028.3310.01	NEON HOLDER WITH STARTER
38	36	4028.3310.00	NEON HOLDER WITHOUT STARTER
39	1	4028.4500.01	FINDER RELAY 60.13
40	1	4028.4502.03	FINDER RELAY 55.32
41	1	15906.026.0.0	CIRCUIT BOARD FOR JACK
42	1	4026.0010.00	RCT/1 ELECTRONIC BOARD
43	1	14703.043.0.0	CONTROL BOARD (COMPLETE)
44	1	4028.2187.03	BRETER SELECTOR
45	36	4028.4020.03	STARTER PHILIPS S12
46	1	4028.4020.01	STARTER PHILIPS S10
47	1	16906.029.0.0	KEYBOARD
48	1	4028.1010.11	TRANSFORMER 30V
49	5	4028.0021.00	EBM W2S/130 AA0301 FAN
50	1	4028.0048.00	ECOFIT 2GDS25.133/190LR FAN
51	3	4028.0029.04	EBM 4650N FAN
52	1	4028.4550.01	UNDECAL RELAY SOCKET FINDER 90.27
53	1	4028.4555.00	UNDECAL RELAY SOCKET FINDER 94.72
54	1	4024.0010.03	EYEWEAR SUN GLOBES
55	2	15946.019.1.0	COVERING DX-SX CANOPY
56	3-4	16946.273.1.0	REAR AND FRONT PROFILE BASE REAR PROFILE CANOPY (ELECTRICAL)
57	1	16946.272.1.0	CANOPY FRONT PROFILE (MANUAL)
58	3	16946.283.1.0	FAN COVER CANOPY
59	3	16946.277.0.0	CLOSED FAN COVER CANOPY
60	2	16946.281.1.0	COVERING DX-SX BASE
61	1	15926.000.0.0	COVER BODY VENTILATION
62	1	16946.285.0.0	COVER BASE VENTILATION
63	1	16946.286.0.0	LATERAL COVER
64	1	15946.025.0.0	BASE FRONT COVER
65	3	4025.3110.00	UNIFAST SCREW FOR CANOPY ACRYLIC
66	1	16946.317.1.0	CANOPY FRONT PROFILE (ELECTRICAL)
67	2	16936.038.0.0	ACRYLIC FLAP
68	1	4028.4306.01	3.5µF CONDENSER
69	8	4023.4000.06	WHEELS FOR BALLAST CASSETTE

11.2 CIRCUIT DIAGRAMS LEGEND

SIMBOLS	DESCRIPTION
 G	Earth terminal
A1-A2-A3 16973.000.0.0	Ballasts for KALFASUN 630F facial lamps
AC1-2-3 4028.4400.04	Igniter for KALFASUN 630F facial lamps
AL12 14703.018.0.0	Power supply circuit board for 12Vdc radio
AT 4027.0010.04	Actuator
B 4027.3020.16	Storage batteries (12V 1.2 Ah)
C1-2-3-4-5-6-7 4028.4300.00	65µF condenser
C3 4028.4306.01	3,5µF condenser
C8 4028.4304.00	20µF condenser
CNB	24-pin base connector
CNC	10-pin control panel connector
CNRT	10-pin feeders canopy connector
CNT	32-pin canopy connector
CNW1-2-4-5	3-pin black connector
CNW3	5-pin black connector
CO1-CO2 4028.6000.01	Hour counter
F1	1 A Fuse
F2-F3	5 A Fuse
HRA 4028.2100.00	Contactora for high pressure lamps HR 0910
HRB 4028.2100.06	Contactora for high pressure lamps HR 2510
IUD 4028.2184.00	Control switch for arm rise
L1-2-3 4028.4002.00	KALFASUN 630F facial lamps
L4 4028.4009.03	KALFASUN B23-S White 160W
L4 4028.4009.01	KALFASUN B23-S White 100W
L5 4028.4013.03	36W Philips Lamp
MAL	Power supply terminal board
MB	Terminal board
MCT	Control terminal board
MT	Terminal board
MV1	Terminal board
N	Neutral terminal
PD 4027.5010.00	Diode bridge
L1-L2-L3	Power supply phases
R1-R16 4028.1001.06	Ballasts for KALFASUN B23-S White 100W
R1-R20 4028.1001.08	Ballasts for KALFASUN B23-S White 160W
R21 4028.1002.03	36W Feeder
RA 4027.3025.07	Radio
RCT 4026.001.00	30Vdc battery-charger circuit board for automatic raising mechanism RCT/1
RSP-LSP 4027.3030.04	Loudspeakers
RV 4028.4500.01	Control relay for cooling fan unit
RU 4028.4502.03	Control relay for T.MAX
S 4028.4020.03	Starter
SW 4026.1010.04	Limit switch
SA 4028.2187.03	Selector
Scheda jack 15906.026.0.0	Circuit board for Jack
T30 4028.1010.11	Transformer 230V/ 30 V
TRS/4 14703.043.0.0	Control board (complete)
VB1-2-3 4028.0021.00	Cooling fan for low pressure lamps
VC 4028.0048.00	Body fan
VL1-2-3 4028.0029.04	Facial lamps fan
VT1-2 4028.0021.00	Cooling fan for low pressure lamps

DESCRIPTION CIRCUIT DIAGRAMS

- 1/6 Voltage-change diagram.
 2a/6 Practical diagram of the bed feeders cassette (control unit). (Electrical).
 2b/6 Practical diagram of the bed feeders cassette (control unit). (Manual).
 3/6 Practical diagram of the head feeders cassette.
 4/6 Practical diagram of the head
 5/6 Practical diagram of base.
 6/6 Practical diagram of control panel.

12 - MEDICATION**12.1 MEDICATION**

Certain drugs can make your skin sensitive to ultraviolet light. The U.S. Department of Health and Human Services has published a booklet entitled Medications That Increase Sensitivity to Light; A 1990 Listing prepared by Jerome: Levine, M.S., R.Ph: The booklet is HHS Publication FDA 91-8280 and is available from the U.S. Government Printing Office: Refer to this booklet or your health practitioner if you are taking any medications.

Dr. Richard Childers and Dr. Edward Emmett of Jhon Hopkins University compiled a list of drugs, foods, and other substances that could make your skin sensitive to ultraviolet light: This list is presented below:

- Diuretics (which help prevent water retention), prescribed for high blood pressure (for example, Hydrodiuril).
- Diabetes drugs-Orinase and Diabinase.
- Urinary tract infection treatments with phenothiazines.
- Tranquilizers, such as Thorazine.
- The acne treatment Retin-A.
- Antihistamines-Phenergan and Benadryl-particularly when they are used on the skin in ointment form.
- Antibiotics-Declomycin, Aureozicin, and Griseofulvin, which is use in ringworm treatment.
- Coal tar treatment for psoriasis or chronic eczema.
- Bacterial infection treatments using sulfanilamide.
- Compounds known as furocoumarins or psoralens, which sensitise skin to sunlight whether put on the skin or taken orally. They are prescribed for vitiligo (loss of skin pigmentation) and psoriasis.
- Birth control pills. The hormones they contain can react with sunlight and in some cases cause brown patches on the skin.
- Perfumes and colognes containing furocoumarins, compounds from natural products such as plants and fruits. Their natural oils cad sensitise the skin to sunlight.
- Food and fruits that contain photosensitising agents: celery, carrots, limes, coriander, parsley, fennel, dill, buttercup, mustard and figs.

13 - WARRANTY**13.1 LIMITED WARRANTY**

For **USA** see next page.



TERMS OF WARRANTY

Sportarredo USA, Inc. ("Sportarredo") warrants its tanning beds (the "Products") to be free from defects in materials and workmanship under intended normal use as described in the unit's Operation and Instruction Manual, for a period of two (2) years (the Warranty Period") from date of sale (proved by the invoice's date). This Limited Warranty does not cover the normal wear and tear of the Products.

This Limited Warranty applies only within the United States and Canada to the first end user (the "Buyer") of the Products and becomes void on the transfer or sale of the Products to any party other than the Buyer.

I. Registration Requirement

a. This Limited Warranty becomes effective only if the Buyer fills out and returns the Warranty Certificate, dated and signed by the Buyer, to Sportarredo at the address shown below within thirty (30) days of the sale of the Products.

b. By returning the Warranty Certificate to Sportarredo, the Buyer acknowledges to have fully read and understood the user's manual, and to have complied with all the instructions stated in that document.

II. Installation and Maintenance Requirements

a. This Limited Warranty does not apply when the installation has not been performed by Sportarredo's trained and certified technician. For the sake of clarity, the technicians have to be certified by Sportarredo, after attending Sportarredo's training courses.

b. This Limited Warranty does not apply if the Products are misused or abused, and there is evidence of mishandling, neglect, modification or repair without the approval of Sportarredo, or damage done to the Products by anyone other than Sportarredo.

c. This Limited Warranty does not apply to damages caused during transportation (including transport to and from the Buyer's location); or damage due to improper or lack of maintenance; voltage overloads or "under voltage"; insufficient or abnormal operation of electrical or hydraulic systems; improper or incorrect treatment of water supply; or corrosion caused by condensation or hard water; improper descaling treatments; or in general to any cause which does not specifically depend on defect in material or workmanship.

d. This Limited Warranty does not apply if the serial number on the product has been removed, altered or defaced.

III. Warranty Claim Procedure

In order to submit a Warranty Claim, the Buyer must provide Sportarredo with a written notice of any alleged defects within the Warranty Period, but in any case after no more than ten (10) days from the date of the discovery of the defects. At Sportarredo's option, the Buyer must ship the defective Product(s) to Sportarredo, at the address shown below, with mailing or shipping charged prepaid. Sportarredo shall be liable for and shall pay for the all freight, shipping and delivery costs of forwarding parts sent to Sportarredo for repair or replacement under the Limited Warranty. The Buyer shall be liable and pay for all labor and transportation charges in the event of a house call by an unauthorized technician. Adequate packaging must be used for returned goods to prevent freight damages.

IV. Warranty Services

a. Defective parts will be replaced upon receipt by Sportarredo. Only original parts obtained through Sportarredo USA Inc., its authorized dealers or distributors may be used. Shipping terms, methods, etc. must be pre-approved by Sportarredo prior to the return of the parts in question. Parts, etc. shipped to Sportarredo without prior approval will be refused and the owner/shipper will be responsible for all related shipping costs etc.

b. If the Products shall be proved to Sportarredo's satisfaction to be defective within the Warranty Period, Sportarredo's obligation under this Limited Warranty shall be limited to either repairing or replacing the Products, at Sportarredo's sole discretion, if such defect was caused solely by defective workmanship and materials. Such repair or replacement shall be Sportarredo's sole obligation and the Buyer's exclusive remedy hereunder and shall be conditioned upon the Buyer's fulfilling of its obligations under Warranty Claims Procedure. The obligations under this warranty are limited to repair or replacement of any defective part without charge for that part to the original purchaser, with the following exceptions:

1. Tanning lamps, filters, starters and igniters are warranted against defects for a period of sixty (60) days from date of sale.

2. Radios and speakers are warranted by the radio and speaker Sportarredo for the period of time indicated in their warranty certificates.

3. Labor will be furnished without charge for sixty (60) days from the date of purchase only. All labor and related charges must be authorized by Sportarredo USA Inc. prior to start of repairs, and must conform with Sportarredo USA Inc. established rates and time allotment policy.

4. All fans and batteries are warranted against defects for a period of two (2) years from date of sale.

5. Timer system, plastics reflectors and parts subjected to "normal" wear & tear (meaning parts intended to be used by the final customer during each session, as buttons, switches, profiles, etc) are warranted for one (1) year.

6. Acrylics are warranted for twelve (12) month prorated period (this warranty applies only if the "owner" of the units has used appropriate cleaners).

7. Mattresses and pillows are warranted for a period of six (6) months from the date of sale.

V. Exclusion from Limited Warranty

The following are not covered by this Limited Warranty

Scratches, splinters, or marks to the Products, unless Sportarredo is notified as soon as the Products are received by the Buyer;

Normal wear and tear;

Defects not caused by the Products, but that are the result of improper installation;

Misuse or abuse by the Buyer;

Physical damage to the Product as a result of unreasonable use and/or negligence.

VI. Limitations on Warranty

This Limited Warranty is provided by Sportarredo, and it contains the only express warranty provided to the Buyer by Sportarredo. Sportarredo does not authorize any other person, including distributors, sub-distributors, agents, to give any other warranties on Sportarredo's behalf.

SPORTARREDO DISCLAIMS ANY EXPRESS WARRANTY NOT PROVIDED HEREIN AND ANY IMPLIED WARRANTY, GUARANTY OR REPRESENTATION AS TO PERFORMANCE, QUALITY AND ABSENCE OF HIDDEN DEFECTS, AND ANY REMEDY FOR BREACH OF CONTRACT, WHICH BUT FOR THIS PROVISION, MIGHT ARISE BY IMPLICATION, OPERATION OF LAW, CUSTOM OF TRADE OR COURSE OF DEALING, INCLUDING IMPLIED WARRANTIES OF MERCHANTABILITY AND FITNESS FOR A PARTICULAR PURPOSE. SPORTARREDO FURTHER DISCLAIMS ANY RESPONSIBILITY FOR LOSSES, EXPENSES INCONVENIENCES, SPECIAL, INDIRECT, SECONDARY OR CONSEQUENTIAL, INCIDENTAL, AND CONTINGENT DAMAGES WHATSOEVER, INCLUDING DAMAGES ARISING FROM OWNERSHIP OR USE OF PRODUCT.

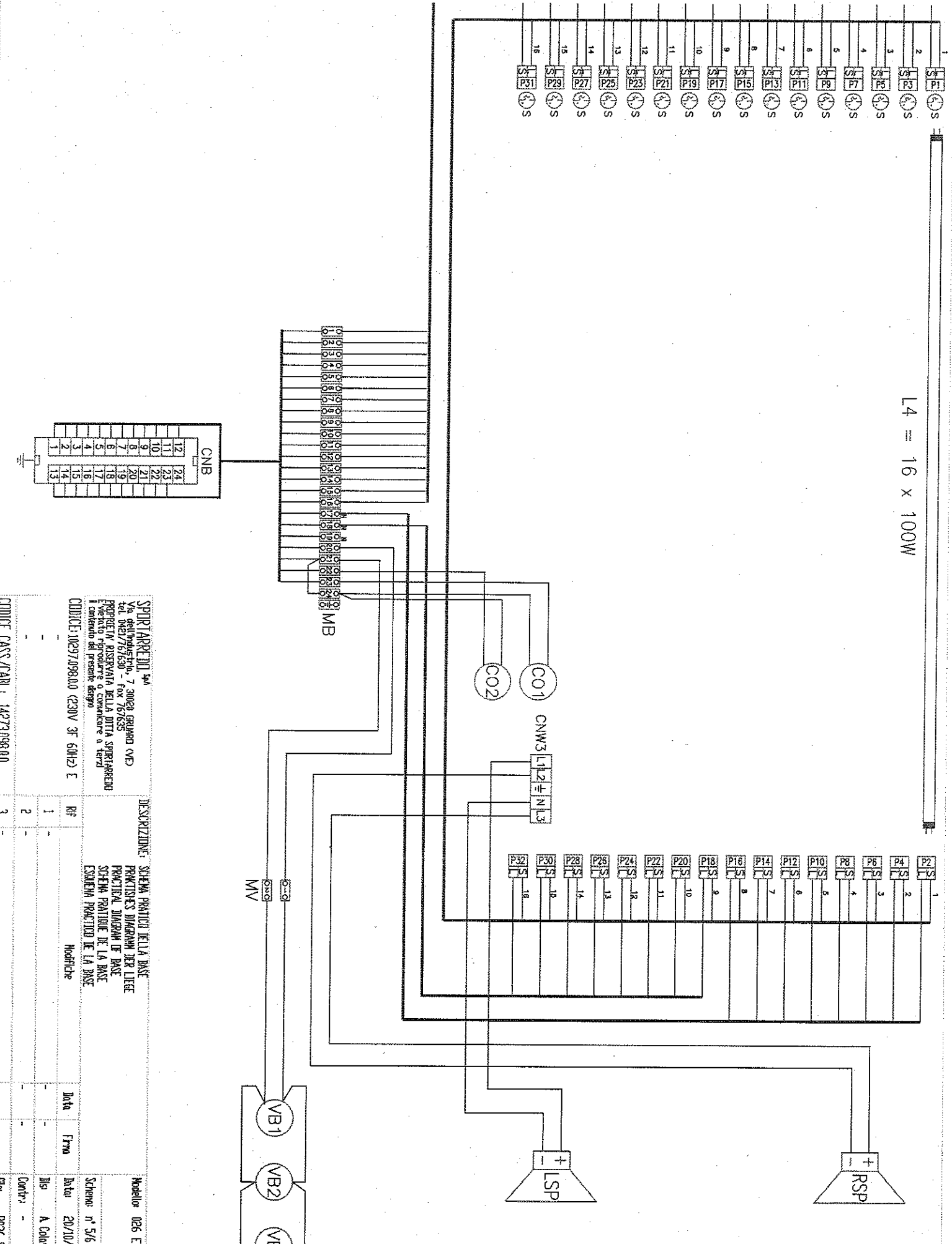
Implied warranties in jurisdictions where they may not be disclaimed shall be in effect only for the duration of the express warranty set forth herein.

If the Buyer has a claim under this Limited Warranty or under any implied warranties provided to the Buyer by state law, the Buyer may not file a court action based on that claim any later than one (1) year after the Buyer's right to file a court action accrues. In those states that do not allow this limitation on the time period for filing a court action, this provision is inapplicable.

VII. Sportarredo's Liability

a. Sportarredo's liability with respect to the Product sold to the Buyer shall be limited to the Limited Warranty provided herein. Sportarredo SHALL NOT BE SUBJECT TO ANY OTHER OBLIGATIONS OR LIABILITIES, WHETHER ARISING OUT OF BREACH OF CONTRACT, WARRANTY, TORT (INCLUDING NEGLIGENCE AND STRICT LIABILITY) OR OTHER THEORIES OF LAW, WITH RESPECT TO THE PRODUCTS SOLD OR SERVICES RENDERED BY SPORTARREDO, OR ANY UNDERTAKING, ACTS OR OMISSIONS RELATING THERETO.

b. Without limiting the foregoing, Sportarredo specifically disclaims any liability for property or personal injury damages, penalties, special or punitive damages, damages for lost profits or revenues, services, down time, shut down or slow down costs, or for any other types of economic loss, and for claims of the Buyer's customers or any third party for any such damages. Sportarredo SHALL NOT BE LIABLE FOR AND DISCLAIMS ALL CONSEQUENTIAL, INCIDENTAL, AND CONTINGENT DAMAGES WHATSOEVER.



L4 = 16 x 100W

SPRINT ARRENDI s.p.a.
 Via dell'Industria, 7 - 30028 GIUGIANO (VE)
 tel. 0421/767630 - fax 767633
 PROPRIETÀ RISERVATA DELLA DITTA SPRINT ARRENDI
 Vietato riprodurre o comunicare a terzi
 il contenuto del presente disegno

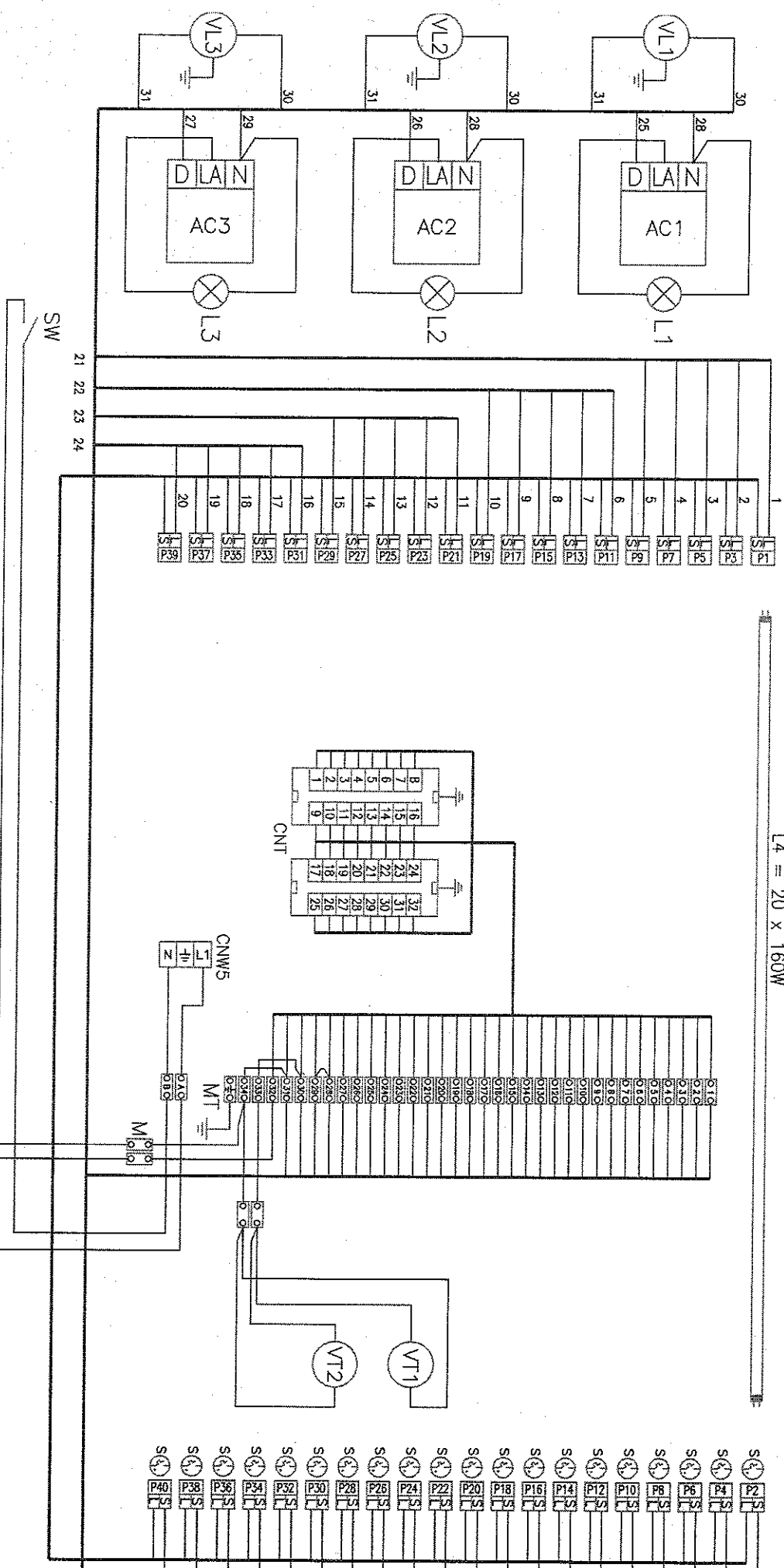
CODICE: 10297098.00 (230V 3F 60Hz) E

CODICE CASS./CANL.: 14273098.00

DESCRIZIONE	STIPULA PRATICA DELLA BASE	Modello	n°	Schema
1	PRATIKES DIAGRAM DER LIEBE	026	ETL	160
2	PRATICAL DIAGRAM DE BASE	20/10/05		
3	SCHEMA PRATIQUE DE LA BASE			

Modificatore
 Data
 Firma
 Disegnato: A. Calvitti
 Controllato: -
 File: P026_5usa16

L4 = 20 x 160W



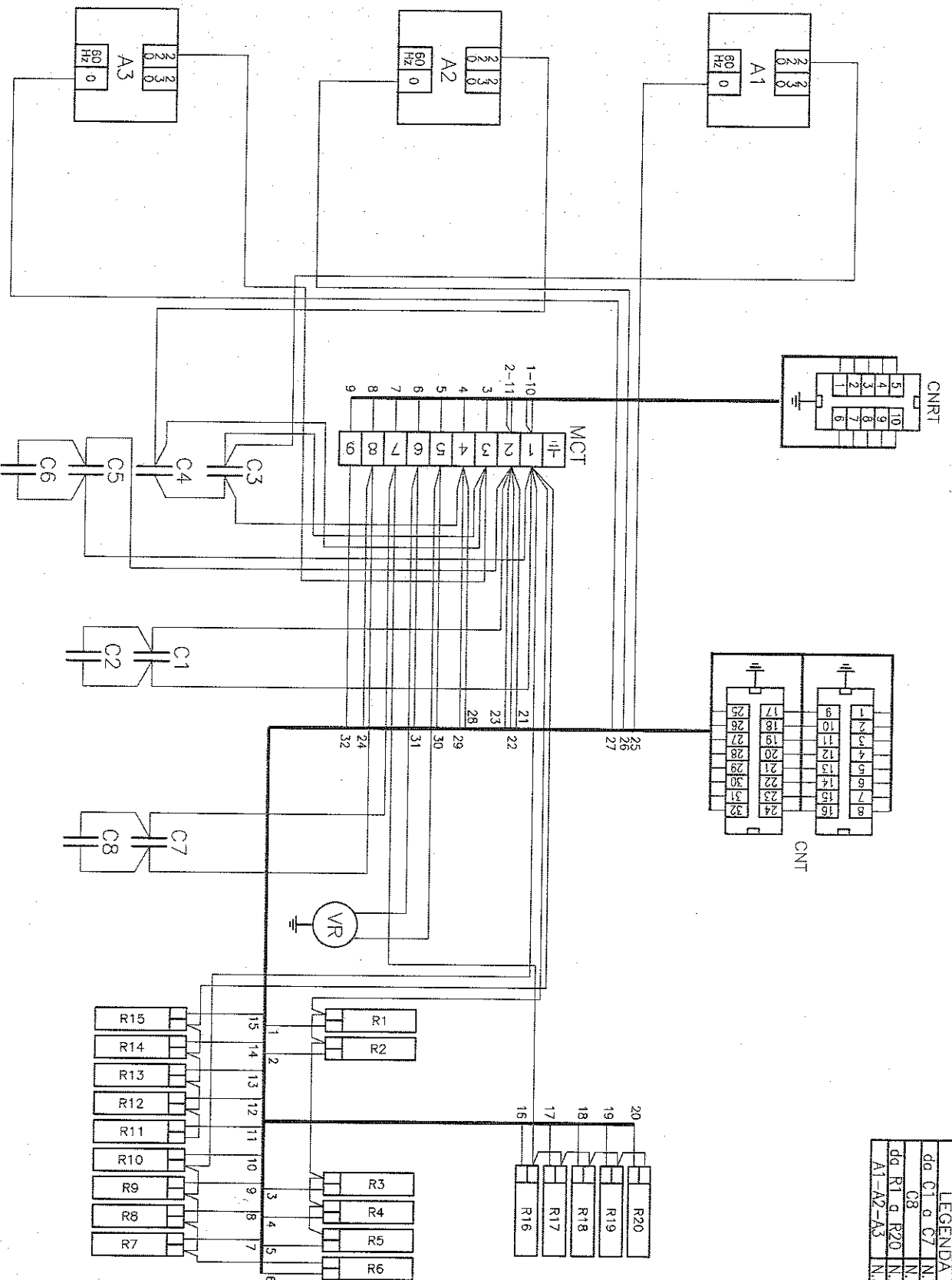
LEGENDA APPARECCHIATURE

AC1-AC2-AC3	N.3 ACCENDITORI DA 600 W
L1-L2-L3	N.3 LAMPADIE ALTA PRESSIONE 600 W
L4	N.20 LAMPADIE BASSA PRESSIONE 160 W
L5	N.1 LAMPADA BASSA PRESSIONE 36 W
R21	N.1 REATTORE 36 W

SPORTARELLI spa
 Via dell'Industria, 7 30060 GRUARO (VE)
 Tel. 0421/767630 - Fax 767633
 PREPARARE, RISERVATA BELLA DITTA SPORTARELLI
 è vietato riprodurre o comunicare a terzi
 il contenuto del presente disegno
CODICE IDENTIFICATIVO (230V 3F 60Hz) E
CODICE CASS/CABL.: 14273/09000

DESCRIZIONE	SCHEMA PRATICO DELLA TESTA	Modifiche	Data	Firma	Dis.	Inte.	Schema n°	Modifiche
PRATIQUEES DIAGRAM DES TUBERIEUX							4/6	
SCHEMA PRATIQUE DE LA TETE							20/10/05	
ESQUEMA PRATICO DE LA PARTE SUPERIOR								

Modello 026 ETL 161
 A Colavitti
 20/10/05
 P026_Ausole



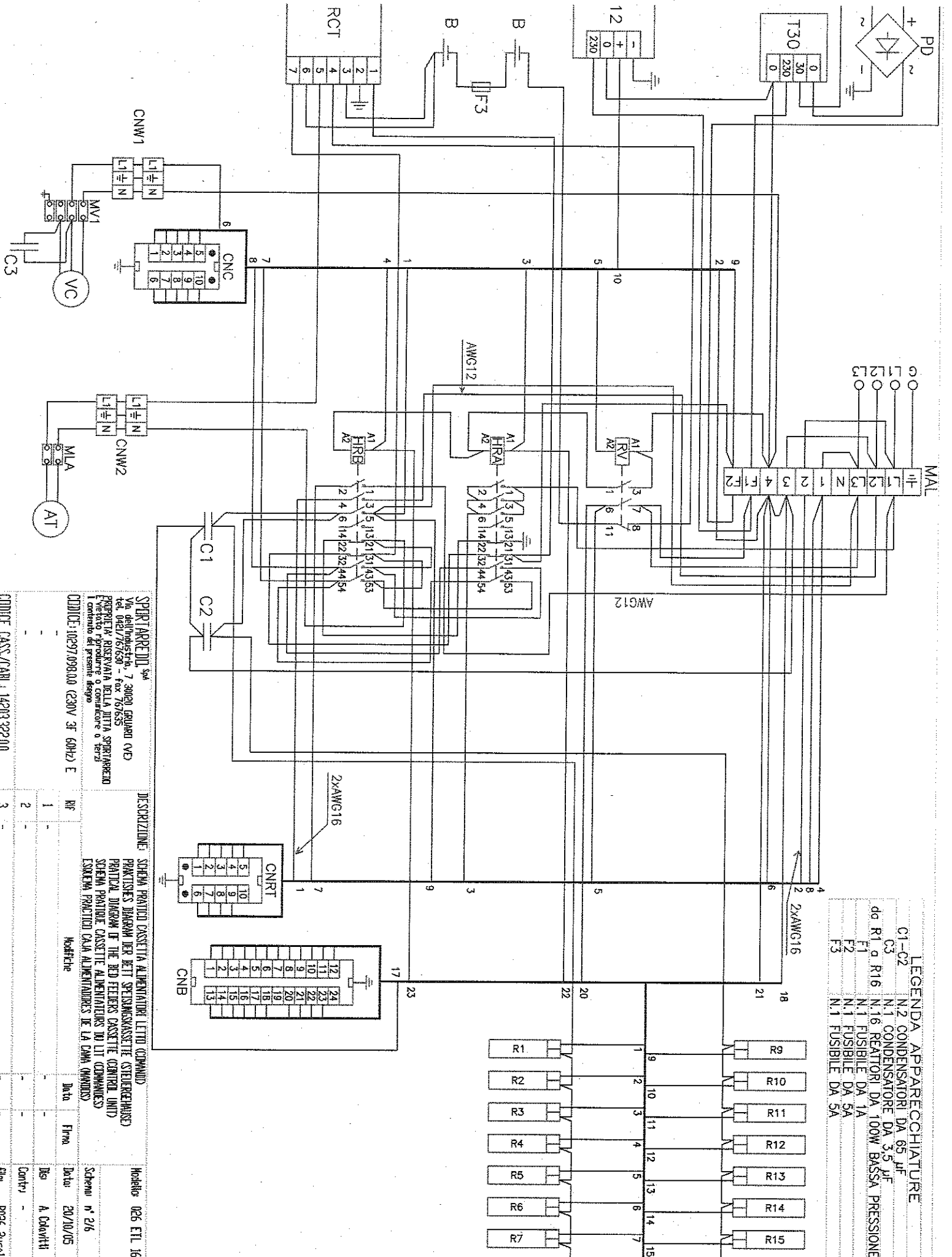
- LEGENDA APPARECCHIATURE B-17 L
- da C1 a C7 N.7 CONDENSATORI DA 65 uF
 - C8 N.1 CONDENSATORE DA 20 uF
 - da R1 a R20 N.20 REATTORI DA 150W BASSA PRESSIONE
 - A1-A2-A3 N.3 REATTORI DA 600W ALTA PRESSIONE

SPIDER ARREDE spa
 Via dell'Industria, 7 30020 GRUGARO (VE)
 tel. 0421/767630 - fax 767635
 PREPARETI/ RISPERSAVIA BIELLA DITTA SPIDERARREDE
 Evitato il produrre o connettere a terzi
 il contenuto del presente disegno

CODICE: 10297/099.00 (230V 3F 60Hz) E

CODICE CASS./CABL. 14203.327/00

DESCRIZIONE	Modifiche	Data	Firma	Schema n°	Modello
SCHEMA PRATICO CASSETTA ALIMENTATORI TESTA PRACTICES DIAGRAM FOR HEAD SUPPLY CASSETTE SCHEMA PRATIQUE CASSETTE ALIMENTATEURS DE LA TETE ESQUEMA PRACTICO CASSA ALIMENTADORES DE LA PARTE SUPERIOR				3/6	026 ETL 160
RF					
1					
2					
3					
Dis	A. Cavatth	20/10/05			
Contr					
File	P026_3vs016				



- LEGENDA APPARECCHIATURE**
- C1-C2 N2 CONDENSATORI DA 65 µF
 - C3 N1 CONDENSATORE DA 3,5 µF
 - da R1 a R16 N.16 REATTORI DA 100W BASSA PRESSIONE
 - F1 N1 FUSIBILE DA 1A
 - F2 N1 FUSIBILE DA 5A
 - F3 N1 FUSIBILE DA 5A

SPARTAREDDI s.p.a.
 Via dell'Industria, 7 30020 GRUPPO (VD)
 tel. 0421/767630 - fax 767635
PROPRITÀ RISERVATA DELLA DITTA SPARTAREDDI
 È vietato riprodurre o comunque o terzi
 il contenuto del presente disegno

CODICE: 10297098.00 (230V 3F 60Hz) E

NR	DESCRIZIONE	Quantità	Unità	Schema n°	Data	Disegnato	Verificato
1	SCHEMA PRATICO CASSETTA ALIMENTATORE LETTO (COMANDO)	-		2/6	20/10/05	A. Cavatini	
2	PRATIKES DIAGRAM DER BETT SPINNSCHWESSETTE (STEUERREHEND)	-					
3	PRATIKES DIAGRAM OF THE BED FEEDERS CASSETTE (CONTROL UNIT)	-					
	SCHEMA PRATICO CASSETTE ALIMENTATORE DA LETT (COMANDOS)						
	SCHEMA PRATICO CAVA ALIMENTADORES DE LA CAVA (COMANDOS)						

Modello: 026 ETL 161

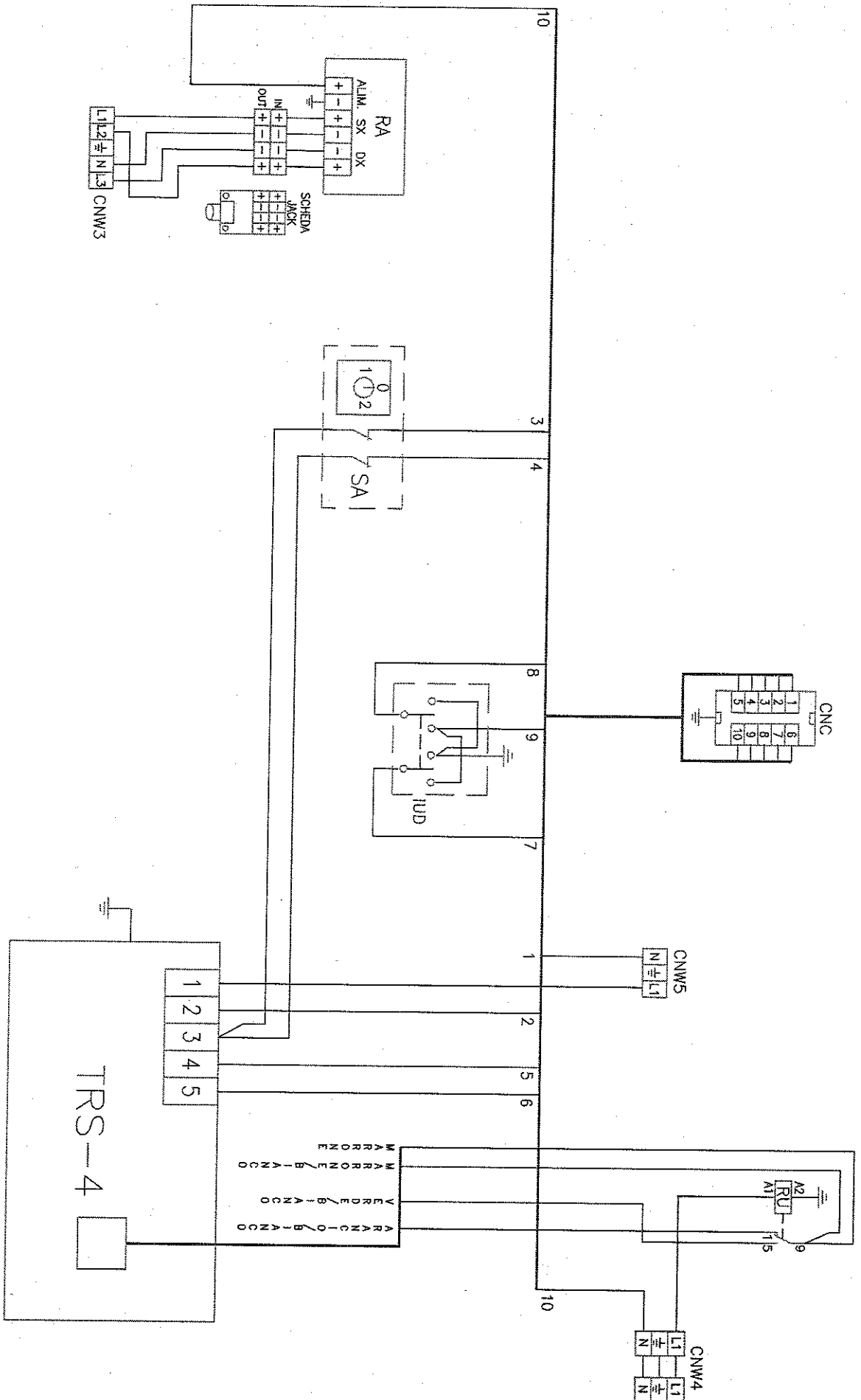
Schema n° 2/6

Data: 20/10/05

Disegnato: A. Cavatini

Verificato: _____

File: P026_05a.dwg



SPURTHREDDI S.p.A.
 Via dell'Industria, 7 30020 GRUGARO (VI)
 Tel. 0421/761630 - Fax 761635
 PROPRIETÀ RISERVATA DELLA DITTA SPURTHREDDI
 È vietato riprodurre o comunicare a terzi
 il contenuto del presente disegno
 CODICE: 10297.098.00 (230V 3F 60Hz) E

RF	Modifiche	Data	Firma	Scheda n°	Data	Modello
1				6/6	20/10/05	026 ETL 160
2						
3						

DESCRIZIONE SCHEMA PRATICO DELLA CENTRALINA COMANDI
 PRAKTISCHES DIAGRAM DER SCHALTAEEL
 PRACTICAL DIAGRAM OF CONTROL PANEL
 SCHEMA PRATIQUE DU PANNEAU DES COMMANDES
 ESQUEMA PRACTICO DE CUADRO DE MANDO

Modello: 026 ETL 160
 Scheda n°: 6/6
 Data: 20/10/05
 Dis: A. Calvetti
 Contr: -
 File: P026_susola6

CODICE CASS./CABL.