

SPORTARREDO[®] S.p.A.

30020 GRUARO-ITALY - VIA DELL'INDUSTRIA 7
Tel. 0421/767676 Fax 0421/767670

Holiday 45



INSTALLATION, USE AND MAINTENANCE MANUAL

USA

Cod.man.:11284.136.5.0 (15/04/05)

Cod.app.:10299.028.4.0 (230V ~ 60Hz)
Cod.app.:10297.089.0.0 (230V 3~ 60Hz)

INDEX**INDEX OF SECTIONS****1 - GENERAL INFORMATION**

1.1 Labels.....	pag. 2
1.2 Introduction.....	4
1.3 General tanning instructions.....	4
1.4 Transport and handling.....	5
1.5 Preparation for installation by the client.....	5

2 - SAFETY INFORMATION

2.1 General.....	6
2.2 Noise.....	6
2.3 Regulations.....	6

3 - TECHNICAL DATA

3.1 Dimensions and technical data HOLIDAY 45.....	7
---	---

4 - INSTALLATION

4.1 Pre-installation.....	7
4.2 Connections.....	7
4.3 Assembly instructions.....	8
4.4 Voltage-change.....	10

5 - USE

5.1 Control board.....	11
5.2 Safety of the persons exposed to UV.....	12

6 - ORDINARY MAINTENANCE MADE BY THE CUSTOMER

6.1 Ordinary maintenance.....	13
-------------------------------	----

7 - EXTRAORDINARY MAINTENANCE MADE BY A SKILLED TECHNICIAN

7.1 Extraordinary maintenance.....	15
7.2 Periodic control procedure.....	15

8 - CONTROL BOARD PROGRAMMING

8.1 Electronic control board connections.....	18
8.2 Remote controls.....	19

9 - DEMOLITION AND WASTE MATERIALS

9.1 Waste materials.....	19
9.2 Demolition of the machine.....	19

10 - REPLACEMENTS AND CIRCUIT DIAGRAMS

10.1 Spare parts list.....	20
10.2 Circuit diagrams legend.....	21

11 - MEDICATION

11.1 Medication.....	22
----------------------	----

12 - WARRANTY

12.1 Limited warranty.....	22
----------------------------	----

1 - GENERAL INFORMATION

1.1 LABELS

This device is intended to be used by only one person at a time. Lie on the bed and lower the canopy down to the stopping point.

CAUTION: EXPOSURE POSITIONS OTHER THAN SPECIFIED MAY RESULT IN OVEREXPOSURE AND ARE NOT RECOMMENDED.

Tanning normally begins after one to two exposures and maximizes after one to four (1-4) weeks of exposure following the recommended schedule for your skin type.

**Wear protective eyewear.
Eyewear: SLIM GLOBES**

Read the instruction booklet before using tanning system.

RECOMMENDED EXPOSURE SCHEDULE

First three sessions should be at 48 hour intervals. Followed by the gradual increasing of exposure times until maximum tanning has occurred (in approximately 4 weeks). MAXIMUM EXPOSURE is 14 minutes.


Skin Type	Week 1 1st, 2nd Session	Week 2 4th - 6th Session	Week 3 7th-8th Session	Subsequent Weekly Session
II	4 min	6 min	10 min	12 min
III	4 min	5 min	10 min	12 min
IV	4 min	3 min	12 min	14 min
V	4 min	3 min	12 min	14 min

This product is in conformity with performance standards for sunlamp products under No. 21 CFR 1040.20. This appliance is intended to be used with the following lamps:
**Kalifaun 630F 60W
Kalifaun B23-S WHITE 100W
Kalifaun B23-S WHITE 80W**

For replacement lamps, eyewear or parts, contact:
**SPORTARREDO USA INC.
200 South Wacker Drive
CHICAGO, IL 60606
(1-866-899-4825)**

Code: 1088W 1088-4.0

1 - GENERAL INFORMATION



WARNING—HIGH VOLTAGE! FOLLOW INSTRUCTIONS—FAILURE TO USE PROTECTIVE EYEWEAR MAY RESULT IN SEVERE BURN OR OTHER EYE HAZARD. IF DISCOMFORT DEVELOPS, DISCONTINUE USE AND CONSULT A PHYSICIAN.

ATTENTION—RAYONNEMENTS ULTRAVIOLETS—VEUILLEZ SUIVRE LES INSTRUCTIONS—SANS DISPOSITIF DE PROTECTION DES YEUX, CE PRODUIT PEUT CAUSER DES BULLES DE LÈVRES OU LÈSIONS OCULAIRES GRAVES.—3. VOUS SENSER UN MALAISE, EN DISCONTINUER L'USAGE ET CONSULTER UN MÉDECIN.

Accid. interoculare. As with hazard radiation, overexposure can cause eye and skin injury and allergic reaction. Repeated exposure may cause premature aging of the skin and cancer.

Mitochondrien et composants may increase your sensitivity to the ultraviolet radiation. Contact your physician before using skinlens if you are using medications or have a history of skin problems or allergic reactions especially sensitive skin type. If you are pregnant or nursing, you are unlikely to explain from use of this product.

Светов излъчване. Контакт със светлината може да ви изложи на опасност! Следвайте инструкциите. Без специална защита може да получите изгаряния и други увреждания на кожата. Повтарящи се излагания могат да доведат до преждевременно стареене на кожата и рак.

UV-B rays may increase your sensitivity to the ultraviolet radiation. Contact your physician before using skinlens if you are using medications or have a history of skin problems or allergic reactions especially sensitive skin type. If you are pregnant or nursing, you are unlikely to explain from use of this product.

AVVERTENZA: Non usare il prodotto se il tuo medico ti ha avvertito di non usare il prodotto.

ATTENTION: Do not use the product if the doctor has warned you not to use the product.

ACHTUNG: Bei Gebrauch oder Handling dieses Produktes bitte Beachtung beachten!

ATTENCIÓN: Cuando utilices este producto debes seguir las instrucciones. No uses el producto si el médico te ha avisado de que no debes usarlo.

CAUTION
CONNECT ONLY TO CIRCUIT PROTECTED BY A CLASS
A GROUNDING FAULT CIRCUIT INTERRUPTER.

ATTENTION
SEULEMENT À UNE DÉMARCATION PROTÉGÉE
PAR UN DISPOSITIF DE DÉTENTION DE CLASSE A.

WARNING!
DISCONNECT POWER SUPPLY BEFORE OPENING UNIT

ACHTUNG!
VOR DER ÖFFNUNG DES GERÄTES SICH VERNICHTEN SIEHERN, DASS
DIE ELEKTRIZITÄT ABGESCHNITTEN IST!

ATTENTION
AVANT D'OUVRIR L'APPAREIL, S'ASSURER QU'IL A ÉTÉ COUPÉ
LA TENSION D'ALIMENTATION

CUBADO!
ANTES DE ABRIR EL APARATO HAY QUE ASEGURARSE DE QUE
ESTÉ CORTADA LA TENSION DE ALIMENTACIÓN

ATTENZIONE!
PRIMA DI ABRIRE L'APPARECCHIO ASCERTARSI CHE SIA STATA
TOLTA LA TENSIONE DI ALIMENTAZIONE

Doc. 10585201.0.0

WARNING:
GROUNDING CIRCUIT CONTINUITY IS VITAL FOR SAFE OPERATION OF
EQUIPMENT. NEVER OPERATE EQUIPMENT WITH GROUNDING CONDUCTOR
DISCONNECTED.

AVERTISSEMENT:
POUR UN FONCTIONNEMENT SUR, NE JAMAIS, UTILISER CET APPAREIL
QUAND LE CONDUCTEUR DE MISE A LA MASSE EST DÉCONNECTÉ.

WARNING:
HIGH LEAKAGE CURRENT - ENSURE PROPER GROUNDING.

AVERTISSEMENT:
COURANT DE FUITE ÉLEVÉ - FOURNIR UNE MISE A LA
TERRE EFFICACE

Doc. 10585201.0.0

1 - GENERAL INFORMATION

1.2 INTRODUCTION

IMPORTANT

BEFORE OPERATING THE MACHINE, READ THE INSTRUCTIONS CONTAINED IN THIS OPERATING MANUAL CAREFULLY AND COMPLETELY.

KEEP THIS MANUAL AND ALL ENCLOSURES IN AN ACCESSIBLE PLACE WHERE IT CAN BE REFERRED TO BY ALL USERS (OPERATORS, MAINTENANCE PERSONNEL AND THOSE CLIENTS WHO ASK FOR DETAILED INFORMATION).

This Technical Manual is designed for use by installers and operators, and should be read carefully and completely before the machine is operated. The manual should always be available for reference and should be kept in a safe place so that it stays in good condition for future reference. For further copies or updates of the manual, contact the manufacturer at the address on the front page.

Sportarredo SpA reserves the right to make changes to the product and to the manual without being obliged to update the preceding manuals.

This manual contains all the instructions and information necessary to operate the machine:

- Correct installation of the machine.
- Description of the functions of the machine.
- Circuit diagrams.

The installers and the operators can use this manual to understand the characteristics of the machine and to learn the correct operating procedure.

1.3 GENERAL TANNING INSTRUCTIONS

DANGER! Ultraviolet Radiation.

Follow instructions. Avoid overexposure. As with natural sunlight, overexposure can cause eye and skin injury and allergic reactions. Repeated exposure may cause premature ageing of the skin and skin cancer.

WEAR PROTECTIVE EYEWEAR; FAILURE TO MAY RESULT IN SEVERE BURNS OR LONG-TERM INJURY TO THE EYES.

Medications or Cosmetics may increase your sensitivity to the ultraviolet radiation. Consult physician before using sunbed if you are using medications or have a history of skin problems or believe yourself especially sensitive to sunlight. If you do not tan in the sun, you are unlikely to tan from the use of this product. This device is intended to be used by only one person at a time. Lie on the bed and lower the canopy down to the stopping point.

CAUTION: EXPOSURE POSITIONS OTHER THAN SPECIFIED MAY RESULT IN OVEREXPOSURE AND ARE NOT RECOMMENDED.

Tanning normally begins after one to two exposures and maximizes after one to four (1-4) weeks of exposure following the recommended schedule for your skin type.

Skin type II.

This is the individual that usually burns easily and severely. Tans minimally or lightly and peels.

Skin type III.

Often referred to as "average" complexion burns moderately and tans about average.

Skin type IV.

This individual burns minimally, tans easily and above average.

Skin type V.

This individual's system rarely burns, tans easily and substantially.

Session times are calculated for a supply voltage of 208V.

This product is in conformity with performance standards for sunlamp products under No.21 CFR 1040.20.

RECOMMENDED EXPOSURE SCHEDULE

First three sessions should be at 48 hour intervals. Followed by the gradual increasing of exposure times until maximum tanning has occurred (in approximately 4 weeks). MAXIMUM EXPOSURE is 14 minutes.

Skin type	Week 1 1st-3rd Session	Week 2 4rd-6rd Session	Week 3 7rd-9rd Session	Subsequent Weekly Session
II	4 min	6 min	10 min	12 min
III	4 min	6 min	10 min	12 min
IV	4 min	8 min	12 min	14 min
V	4 min	8 min	12 min	14 min

This schedule is intended to be used with the following lamps: (standard configuration)

Kalfasun 630F

Kalfasun B23-S WHITE 80W

Kalfasun B23-S WHITE 100W

RECOMMENDED EXPOSURE SCHEDULE

First three sessions should be at 48 hour intervals. Followed by the gradual increasing of exposure times until maximum tanning has occurred (in approximately 4 weeks). MAXIMUM EXPOSURE is 18 minutes.

Skin type	Week 1 1st-3rd Session	Week 2 4rd-6rd Session	Week 3 7rd-9rd Session	Subsequent Weekly Session
II	4 min	8 min	12 min	14 min
III	4 min	8 min	12 min	14 min
IV	4 min	10 min	14 min	16 min
V	4 min	10 min	14 min	18 min

This schedule is intended to be used with the following lamps: (on demand)

Kalfasun 630F

Kalfasun B14-S Rapid 80W

Kalfasun B14-S Rapid 100W

1.4 TRANSPORT AND HANDLING

The machine is carefully protected and loaded onto pallets before shipping. The various parts of the machine must never be transported or stored in positions which differ from the positions in which they are shipped. In this case, the warranty shall be null and void.

The machine must be handled with care in order to prevent the risk of damage to the packaged sections. All handling operations should be carried out by authorised and trained personnel. When the machine is delivered, immediately check that the packaging material is whole and that no damage has occurred during transport.

Any damage to the machine must be notified to the carrier not later than **eight calendar days** from the date of delivery. If internal damage is suspected, it is advisable to accept the machine reserving the right to check accordingly.

THE CARRIER IS RESPONSIBLE FOR ANY DAMAGE OCCURRING DURING TRANSPORT OF THE MACHINE. SPORTARREDO WILL MAKE EVERY EFFORT TO ASSIST THE CLIENT IN SUCH CASES

ALL MAINTENANCE OF THE MACHINE MUST BE PERFORMED BY SPECIALIZED TECHNICIANS FROM SPORTARREDO OR BY PERSONS AUTHORIZED BY SPORTARREDO USA INC.

**IMPORTANT !
ALWAYS DISCONNECT THE MACHINE FROM THE POWER SUPPLY BY PRESSING THE SWITCH BREAKER BEFORE CARRYING OUT MAINTENANCE**

1.5 PREPARATION FOR INSTALLATION BY THE CLIENT

Unless otherwise expressly specified in the contract, the following must be provided by the client:

- Connections to the electrical circuit, including the protective wire generally referred to as the "EARTH CONNECTION", unit feeding cable, power plug and circuit breaker.
- Canalization system for the emission of hot air.
- External air intake.
- All tools and equipment necessary for installation.

THE UNIT IS SUPPLIED FOR INPUT VOLTAGE AT 230V 1phase 60 Hz AND IT IS SUPPLIED WITH OUT THE FEEDING CABLE

To make a power cable connection or voltage-change, make reference to the chapter "INSTALLATION" paragraph "VOLTAGE-CHANGE" and to the HOLIDAY 45 n° 1/4 electrical diagram.

These operation must be done by technical personnel.

THE BREAKER MUST BE INSTALLED IN THE POWER SUPPLY BOARD OF THE ESTHETICAL CENTRE AND IT MUST BE DONE BY THE CENTRE ITSELF.

Mod. HOLIDAY 45:

2x25A-30mA to feed 230V 1phase ~ 60Hz

3x25A-30mA to feed 230V 3phase ~ 60Hz

The installation must be done by technical personnel.

THE POWER SUPPLY CONNECTION (UNIT-BOARD) MUST BE DONE BY THE CENTRE. THE SKILLED TECHNICIAN MUST USE A CERTIFIED CABLE WITH THE PROPER SECTION AND WITH ADEQUATE MECHANICAL PROTECTION, IN ACCORDANCE WITH THE RULES IN FORCE. SEE CHAPTER 2.1 TABLES FOR TECHNICAL DATA "POWER SUPPLY CABLE SECTION"

PLEASE CONTACT THE CUSTOMER SERVICE AT PHONE NUMBER

1-866-899-4826 FOR ANY FURTHER DOUBT

Before the evening closing, or the closing for a prolonged period you should operate on the breaker in order to disconnect the power supply.

TO HAVE A CORRECT USE OF THE EQUIPMENT, THE ROOM TEMPERATURE MUST NOT EXCEED THE 86°F DEGREES. IF ROOM TEMPERATURE EXCEEDS THIS VALUE, WE SUGGEST TO UTILIZE AN AIR-CONDITIONING UNIT.

2 - SAFETY INFORMATION

2.1 GENERAL

The employer must ensure that the persons assigned to the operation of the machine receive adequate training concerning possible accident risks, the devices fitted for the safety of the operator and the client, the risks associated with the emission of UV light and the general accident-prevention regulations specified by international norms and local legislation.

Those responsible for operation, maintenance, cleaning and control of the machine must adhere strictly to the accident-prevention regulations applicable in the country in which the machine is installed.

Before operating the machine, the operator must be completely familiar with the position and the function of all the controls and with the characteristics of the machine. The operator must read this manual carefully and completely.

The machine must be operated by fully-qualified operators only.

Removal of the **safety devices** and protective barriers is strictly forbidden.

No heavy weights must be placed on the moving parts of the machine. The ventilation ducts and intake grilles must not be obstructed by foreign bodies.

The machine must always be switched off and disconnected from the power supply before performing any routine or special maintenance operations.

Unauthorized replacement of or repairs to any part or section of the machine, or the use of accessories or material that are not original or recommended by the manufacturer, may represent a risk of injury, and exonerate the manufacturer from all civil or penal liability.

It is forbidden to stay near the appliance while it is operating without eye protection.

"DANGEROUS ZONES": any zone internal to or in the vicinity of the machine in which the presence of an exposed person constitutes a risk for the safety and the health of that person.

"EXPOSED PERSON": any person who is wholly or partly in a dangerous zone.

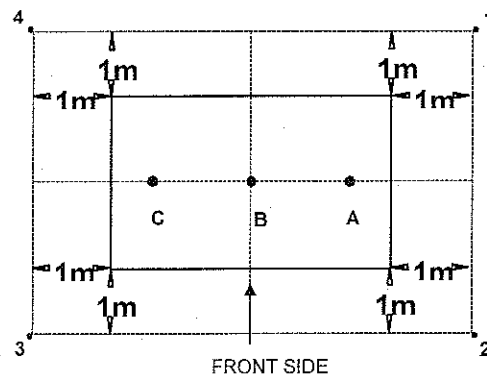
"OPERATOR": person or persons assigned to the installation, operation, adjustment, maintenance, cleaning, repair and transport of the machine.

2.2 NOISE

The machine is designed and built in such a way as to reduce operational noise as follows:

- Effective normalized sound power during operation, see diagram below:
1 = 2 = 62 dB (A) max 3 = 4 = 65 dB (A) max
- Effective sound pressure with simulation of the actual position of the person being treated:
A = 74 dB (A) max. (head position)
B = 76 dB (A) max.
C = 76 dB (A) max.

The figures shown above have been determined according to ISO 3746.



2.3 REGULATIONS

Standard for Safety Portable Sun/Heat Lamps, ANSI/UL 482, Ed:8, Issue: 1999-05-28 & Radiant Heaters and Infrared and Ultraviolet Lamp Assemblies for Cosmetic or Hygienic Purpose in Nonmedical Applications General Instruction No 1-2 (R1999), CAN/CSA C22.2 No.224, Issue: 1989/09/01.

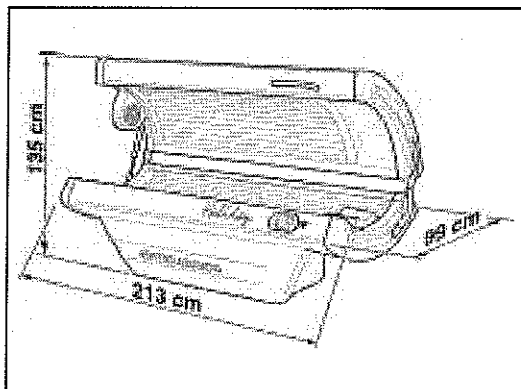
In the planning of this unit the following rules and provisions of the European Community have been taken in consideration:

ECC Directive N. 91/368 dated 20.06.91, N.93/44 dated 14.06.1993, N.93/68 dated 22.07.

ECC Directive N.73/23 dated 19.02.73 known as "low voltage directive".

ECC Directive N.89/336 dated 03.05.1989 known as "Electronic compatibility directive".

En 60335-2-27 II part Special standard for units for the treatment of the skin with ultraviolet and infrared rays for home use and similar use.

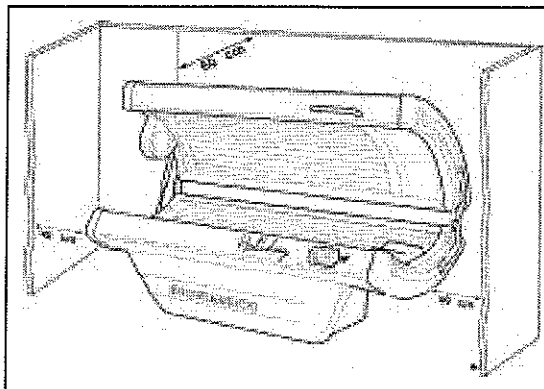
3 - TECHNICAL DATA**3.1 DIMENSIONS AND TECHNICAL DATA**

HEIGHT	135 cm	53" in
LENGTH	213 cm	84" in
WIDTH	99 cm	39" in
WEIGHT	235 Kg	518 lb

HOLIDAY 45	U.M	DATA	
POWER SUPPLY	V	230V ~	230V 3~
POWER ABSORPTION	KW	4,7	4,4
CURRENT ABSORPTION	A	21,3	12,9
POWER FACTOR CORRECTION		0.97	
FREQUENCY	Hz	60	
WIRE SIZES	AWG	9	11
NUMBER OF WIRE REQUIRED		3	4
HEAT PRODUCED	Kcal/h	4000	
FACE LAMPS	N.	2x KALFASUN 630F	
CANOPY LAMPS	N.	16x KALFASUN B23-S White 80W	
BASE LAMPS	N.	16x KALFASUN B23-S White 100W	

UV EMISSION

SEE RAY EMISSION CERTIFICATE

4 - INSTALLATION**4.1 PRE-INSTALLATION**

In order to ensure correct operation of the machine, it should be installed in an area which has been prepared as shown in the figure.

4.2 CONNECTION

The area in which the machine is installed must be adequately ventilated, fit the area with an air intake from outside if necessary. To improve the technical comfort we suggest to connect the tube to expel the hot air to a fixed duct to expel the air outward

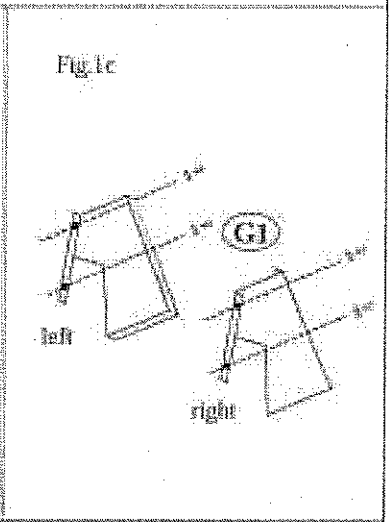
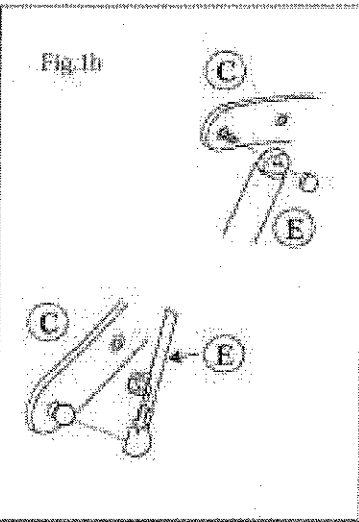
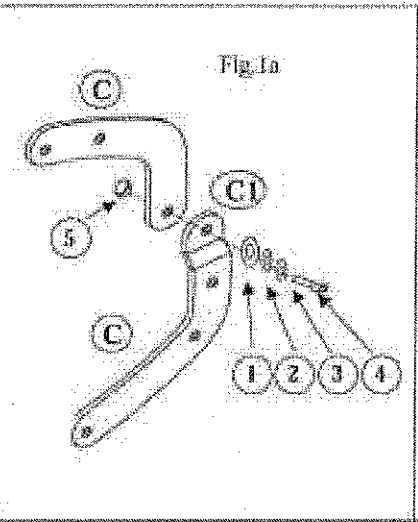
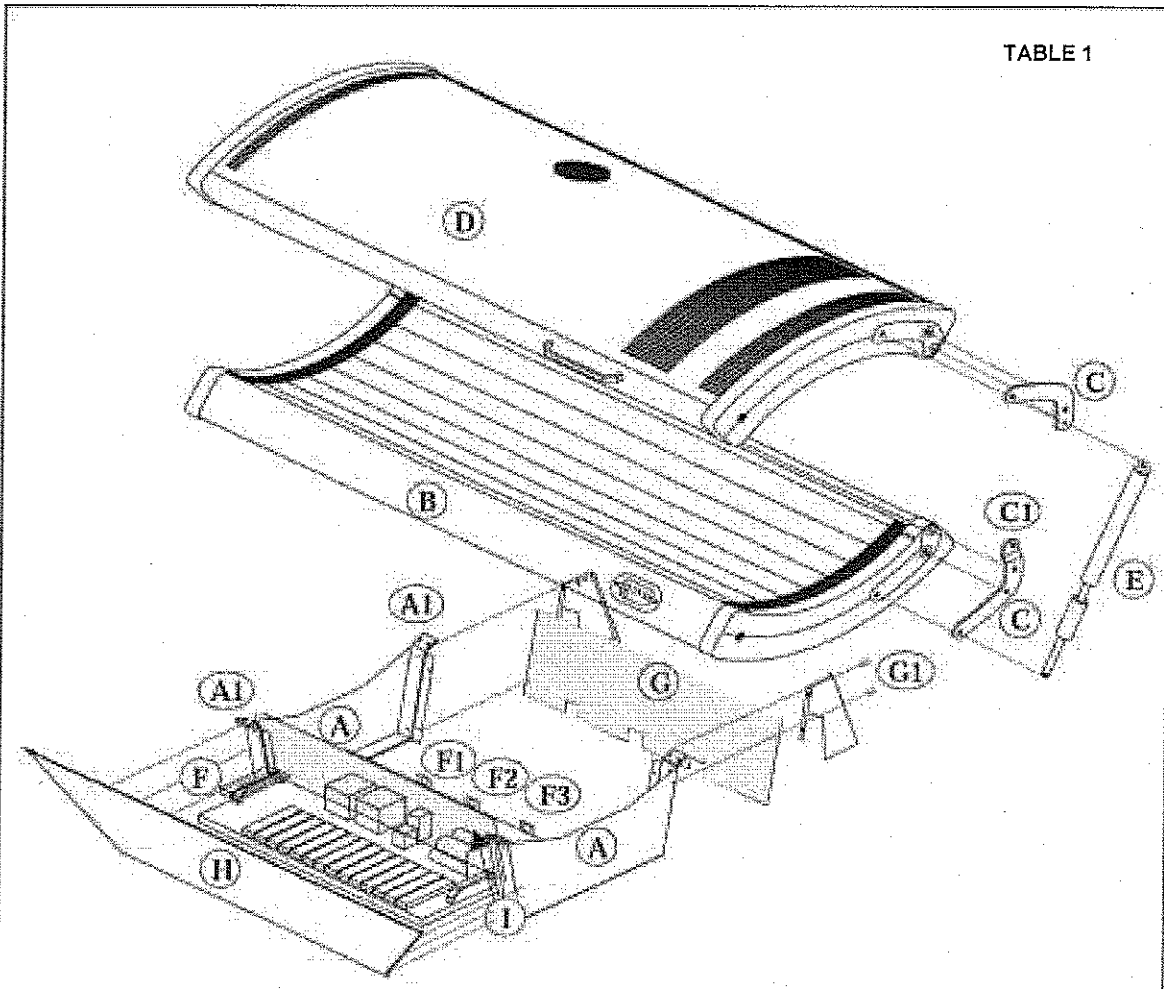
- The metal structure of the machine is earthed by means of insulated wires connected to the earth terminal in the electrical junction box.
- The earth circuit must be in full compliance in accordance with the rules in force.
- The earth connection must also be fitted to low-voltage systems situated in wet or very damp areas (if the voltage to earth is in excess of 25V for alternating current or 50V for direct current).
- The earth wires connected to every part of the various sections of the machine and the earth wires from the various power circuits and user groups must be connected to a single earthing circuit.
- Ensure that the materials used for the earth system are suitably robust and provided with adequate protection.
- The connection to the main earth terminal should be as short as possible. The earth wires should not be subjected to mechanical stress of any kind, and must be protected against corrosion.

4.3 ASSEMBLY INSTRUCTIONS

SEE ENCLOSED TABLE 1

- 1 Place the two supports **A** at a distance of approx. 1 metre one from the other.
- 2 Put the base **B** on the supports **A** and make the front and back holes **A1** coincide with the holes of the base. Insert the 8x30 screws with washer of 8 in **A1**.
- 3 Place the boomerang right and left, upper and lower supports **C** on the base **B** and the sky **D** with the 8x13 flared screws.
- 4 Place the head **D** on the base **B** at points **C1** inserting the 8x30 screws with washer with teeth, washer of 8 and teflon washer. See fig. 1a.
- 5 Fix the lateral pistons **E**. Place the piston **E** (500/600 Newton) from the intensive part. See fig. 1b.
- 6 Insert the feeder box **F** from the back part and fix with the 4.8x13 with large head screws the feeding base cable in **F1**, feeding box in **F2**, feeding head in **F3**.
- 7 Fix the rear panel **G** and the two supports **G1** with the specific 4.8x13 with large head screws. See fig. 1c.
- 8 Place the ventilator box on the sky with the two 4x20 with cross head screws.
- 9 Place the frontal panel **I** with the 4 specific 3,9x9,5 with large head screws in the lateral sides.
- 10 Place the abs "Sportarredo" frontal panel **H** with the specific 4.2x32 screws in the lateral sides.

TABLE 1

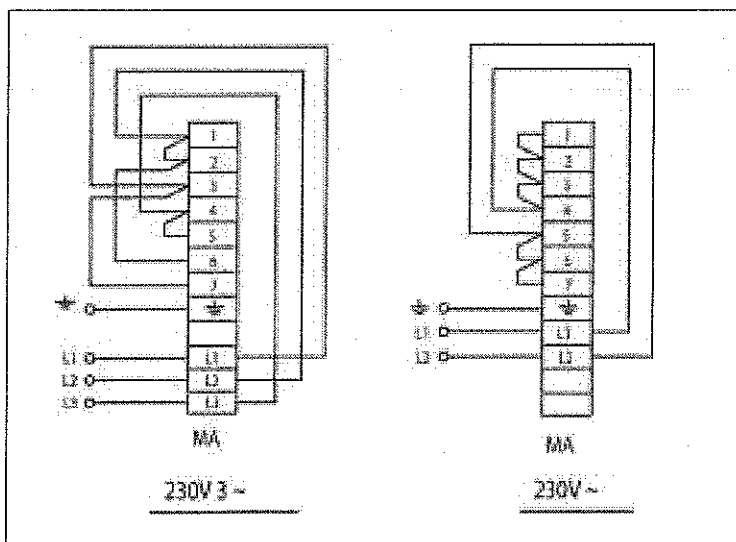
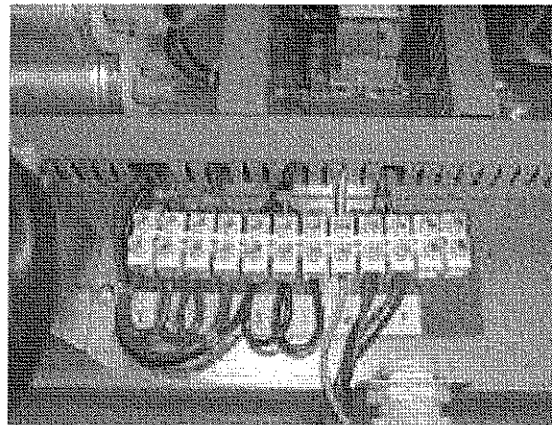
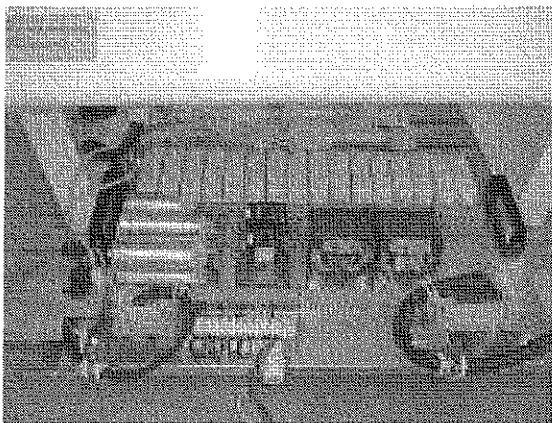


4.4 VOLTAGE CHANGE

To enter the terminal board for power supply, placed inside the control cassette, make reference to photos.

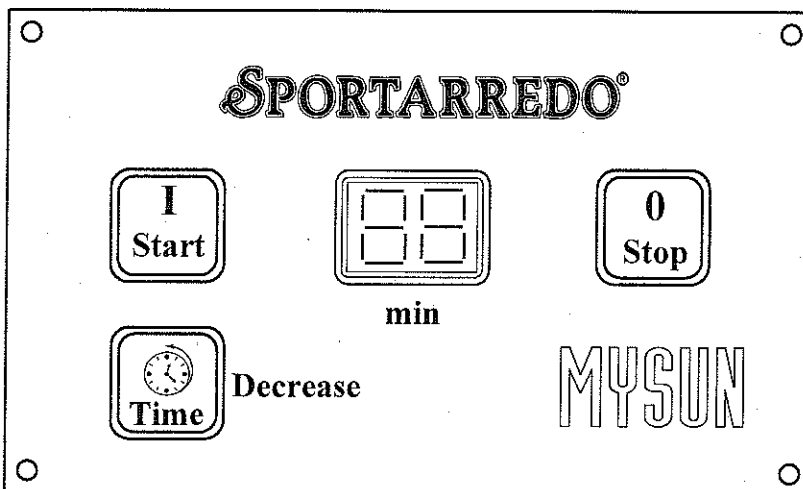
IMPORTANT !

**ALWAYS DISCONNECT THE MACHINE
FROM THE POWER SUPPLY BY
PRESSING THE SWITCH BREAKER
BEFORE CARRYING OUT
MAINTENANCE**



5 - USE

5.1 CONTROL BOARD



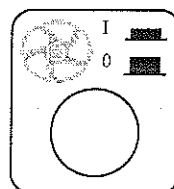
When the START button is pressed, the tanning lamps are switched on.



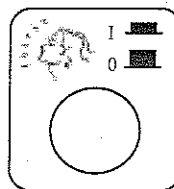
When the STOP button is pressed, the tanning lamps are switched off.



The time button is used to set the time, in minutes, for the time session.
May be used by authorised personnel only.



BODY FAN BUTTON
I – The body ventilation is working.
0 – The body ventilation is not working.



FACE LAMP BUTTON
I - Switches on all the lamps (high-pressure and low-pressure).
0 Switches on the low-pressure canopy and base lamps.

IMPORTANT !

ALWAYS DISCONNECT THE MACHINE FROM THE POWER SUPPLY BY PRESSING THE SWITCH BREAKER BEFORE CARRYING OUT MAINTENANCE

5.2 SAFETY OF THE PERSONS EXPOSED TO UV

Don't use the unit in case of filter damages and timer faults!

ATTENTION!
AN IMPROPER OR INCORRECT USE OF THE UNIT CAN CAUSE SERIOUS BODILY DAMAGES TO THE PERSON EXPOSED!

From a careful analysis, as specified in EN 60335-2-27, the precautions that must be observed are listed below.

- 1) If the client is undergoing treatment using medication, such as antibiotics or anti-inflammatory pharmaceuticals, it is advisable to suspend tanning sessions. In any case, it is advisable to consult a doctor.
- 2) Before a tanning session, the skin should be clean and free of cosmetics or perfumes.
- 3) Be sure not to exceed the exposure times selected by the staff of the tanning centre.
- 4) Always use the special protective eyewear. The eyes must under no circumstances remain open during the tanning session.
- 5) After each tanning session, it is advisable to apply a moisturising cream.

It's advisable to:

- Not exposure any part of the body more than one time per day.
- Not exposure to the unit and sun in the same day.
- Do not expose yourself to the appliance if you usually burn with normal sunlight or if you suffer from sun-rash.
- Do not make UV session in case of pregnancy. In any case please consult your own attending physician before making the session.
- Do not expose to UV immediately after depilation treatments.
- Do not expose children or adults that are prone to or are suffering (or have previously suffered) from skin neoplasia.
- Consult the physician if on the skin swellings, ulceration's or red spots appear.

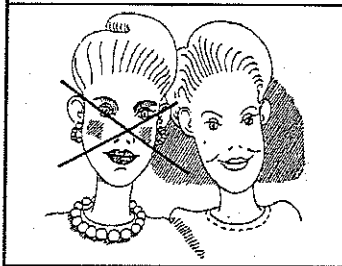
ATTENTION!

- Ultraviolet radiation may cause injury to the eyes and skin, such as skin ageing and eventually skin cancer.
- Read instructions carefully.
- Wear the protective goggles provided.
- Certain medicines and cosmetics may increase sensitivity.

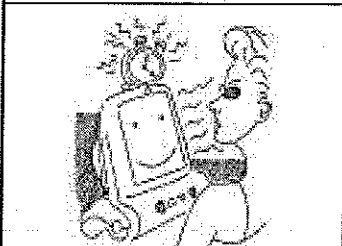
A copy of the following warnings is supplied with the manuals and must be shown to the public close to the unit.



1



2



3



4



5

6 - ORDINARY MAINTENANCE MADE BY THE CUSTOMER

6.1 ORDINARY MAINTENANCE

IMPORTANT !
ALWAYS DISCONNECT THE MACHINE FROM THE POWER SUPPLY BY PRESSING THE BREAKER SWITCH BEFORE CARRYING OUT MAINTENANCE

Every 100 hours of operation make the following ordinary maintenance operations:

- Cleaning of internal and external acrylics.
- Cleaning of cobalt and transparent filters.

IMPORTANT!
USE ONLY THE DISINFECTANT CLEANSING MULTYSAN TO CLEAN THE ACRYLIC
N.B. DO NOT USE ALCOHOL OR ALCOHOL-BASED PRODUCTS FOR CLEANING

REMOVING AND CLEANING THE ACRYLIC PANEL AND BLUE COBALT FILTER

To make the cleaning of the acrylics and the cobalt filters it's necessary to make as follows on Table 2-3.

CHECK OF THE BLUE COBALT FILTER

To prevent the exposition to bad rays it's important to check the good conditions of the blue cobalt filters and the fixing condition to the metallic frame. If breaks or cracks are present do not use the equipment and call for a skilled technician maintenance.

CLEANING THE TRANSPARENT AND BLUE COBALT FILTERS

Clean the filters internally and externally using a 50% solution of water and denatured alcohol.

ANY TAMPERING WITH THE APPLIANCE OR THE USE OF NON-ORIGINAL MATERIAL OR PARTS MAY LEAD TO INJURY. IN SUCH CASES, THE MANUFACTURER DECLINES ALL CIVIL AND PENAL LIABILITY, AND THE WARRANTY SHALL AUTOMATICALLY BE CONSIDERED NULL AND VOID.

FILTERS USED IN THIS APPLIANCE:

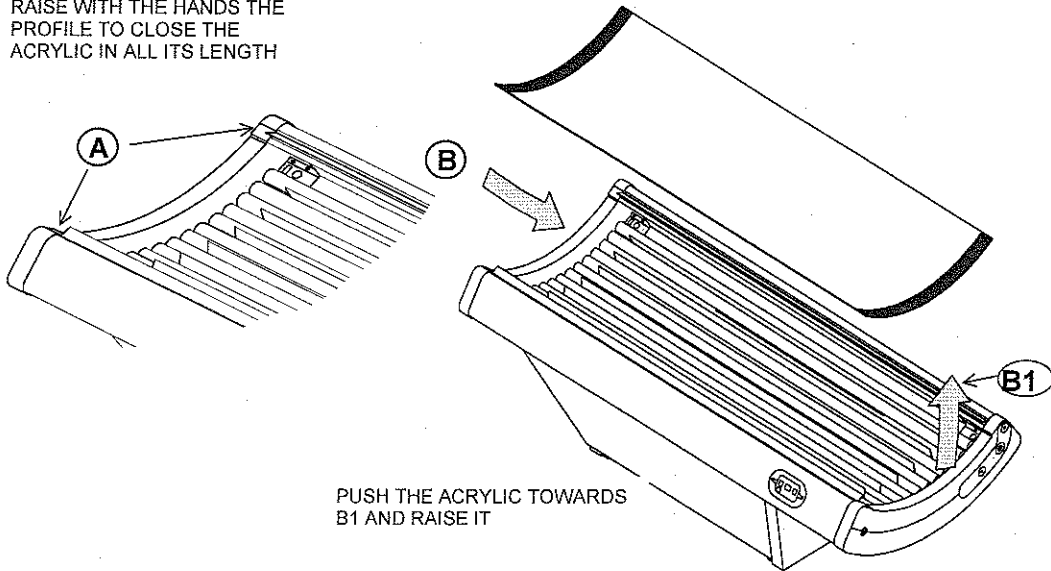
Cobalt filter 230x75mm Sp.1.6 mm
Filter Superlux TR-T 240x210 mm

REFLECTORS USED IN THIS APPLIANCE:

S630

REMOVING AND CLEANING THE ACRYLICS PANEL FITTED TO THE BASE

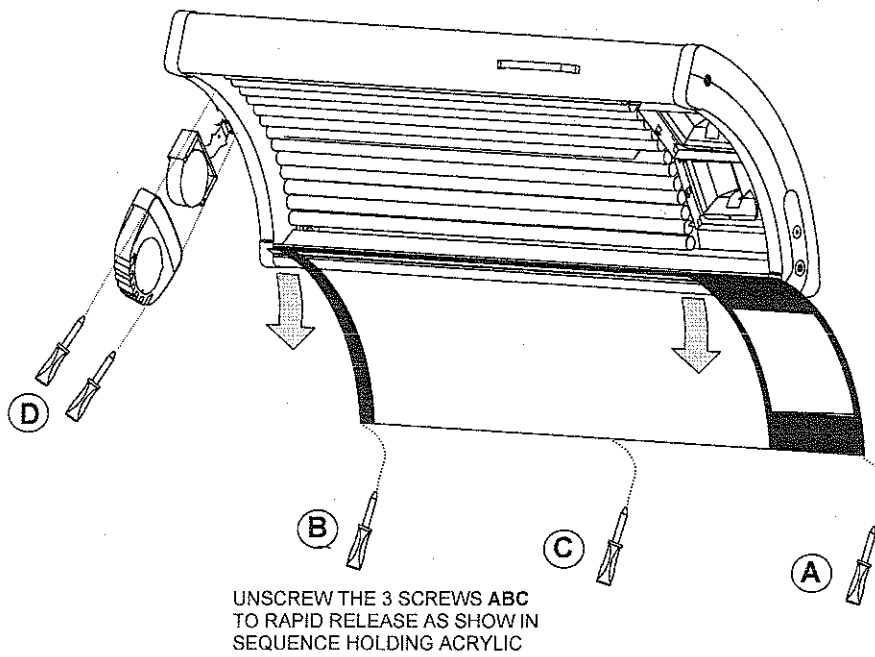
RAISE WITH THE HANDS THE PROFILE TO CLOSE THE ACRYLIC IN ALL ITS LENGTH



PUSH THE ACRYLIC TOWARDS B1 AND RAISE IT

TABLE 2

REMOVING AND CLEANING THE ACRYLICS PANEL FITTED TO THE CANOPY



UNSCREW THE 3 SCREWS ABC TO RAPID RELEASE AS SHOW IN SEQUENCE HOLDING ACRYLIC

TABLE 3

PERFORM THIS PROCEDURE IN STRICT ALPHABETICAL SEQUENCE

7 - EXTRAORDINARY MAINTENANCE MADE BY A SKILLED TECHNICIAN

7.1 EXTRAORDINARY MAINTENANCE

Every 400 hours of operation make the following extraordinary maintenance operations:

- Cleaning of internal and external acrylics.
- Replacement of high-low pressure lamps.
- Check that the timer system is working correctly.
- Check that the USE instructions are legible and in satisfactory condition.
- Every 800 working hours replace the reflectors, the igniters for the high-pressure lamps and the starter for the low-pressure lamps.
- Clean the fans and the inside of the machine.
- Every 1200 working hours replace the acrylics.

7.2 PERIODIC CONTROL PROCEDURES

Electrical checks. Check that the electrical safety devices, and the acoustic/illuminated signal devices and alarms are undamaged and that they function correctly. Check that the equipment and devices in the electrical control box are in satisfactory condition.

These checks must be performed by qualified personnel

IMPORTANT !
ALWAYS DISCONNECT THE MACHINE
FROM THE POWER SUPPLY BY
PRESSING THE BREAKER BEFORE
CARRYING OUT MAINTENANCE

IMPORTANT!
USE ONLY THE DISINFECTANT CLEANSING
MULTYSAN TO CLEAN THE ACRYLIC
N.B. DO NOT USE ALCOHOL OR ALCOHOL-BASED
PRODUCTS FOR CLEANING

CHECK OF THE BLUE COBALT FILTER

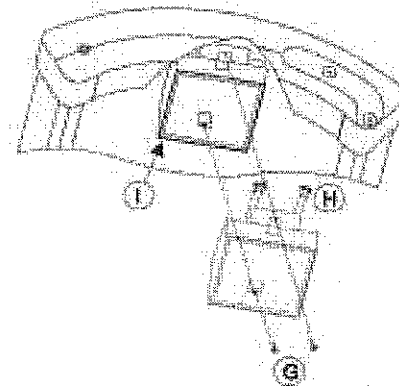
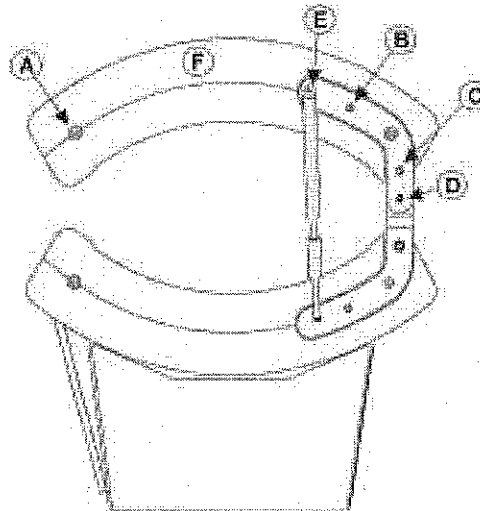
To prevent the exposition to bad rays it's important to check the good conditions of the blue cobalt filters and the fixing condition to the metallic frame. If breaks or cracks are present do not use the equipment and call for a skilled technician maintenance.

CLEANING THE BLUE COBALT FILTERS

Clean the filters internally and externally using a 50% solution of water and denatured alcohol.

ANY TAMPERING WITH THE APPLIANCE OR THE USE OF NON-ORIGINAL MATERIAL OR PARTS MAY LEAD TO INJURY. IN SUCH CASES, THE MANUFACTURER DECLINES ALL CIVIL AND PENAL LIABILITY, AND THE WARRANTY SHALL AUTOMATICALLY BE CONSIDERED NULL AND VOID.

MAINTENANCE OF INTENSIVE FAN COOLER



Remove the acrylic.

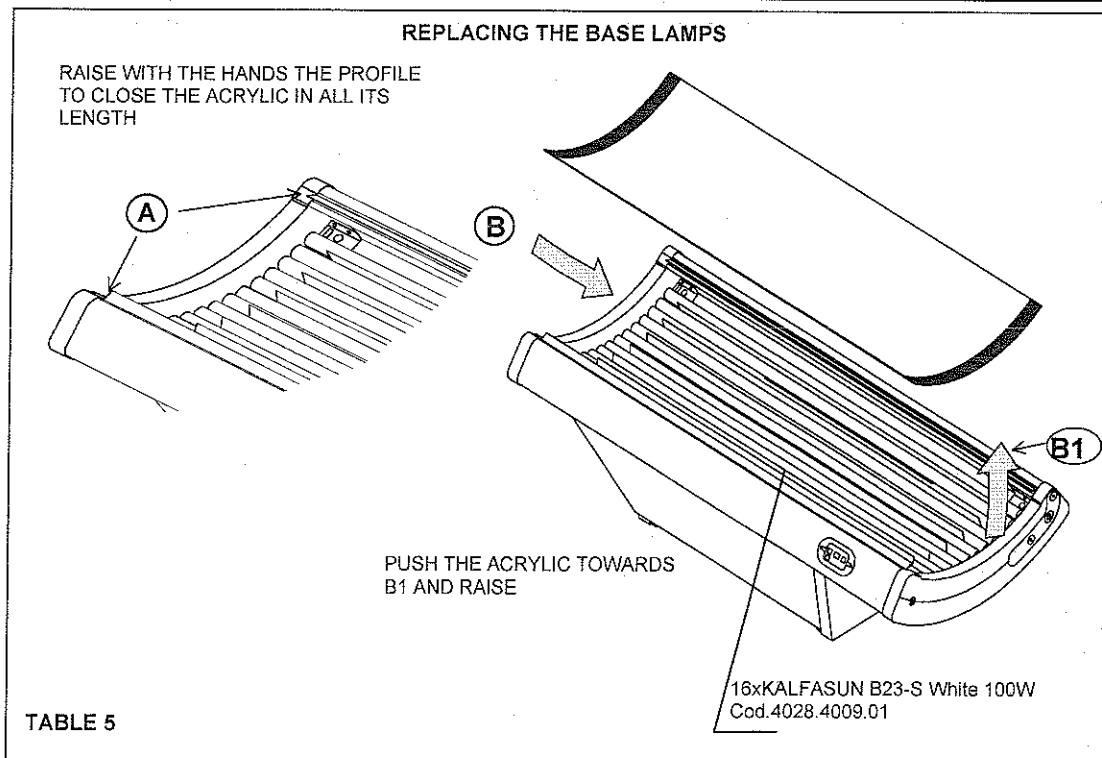
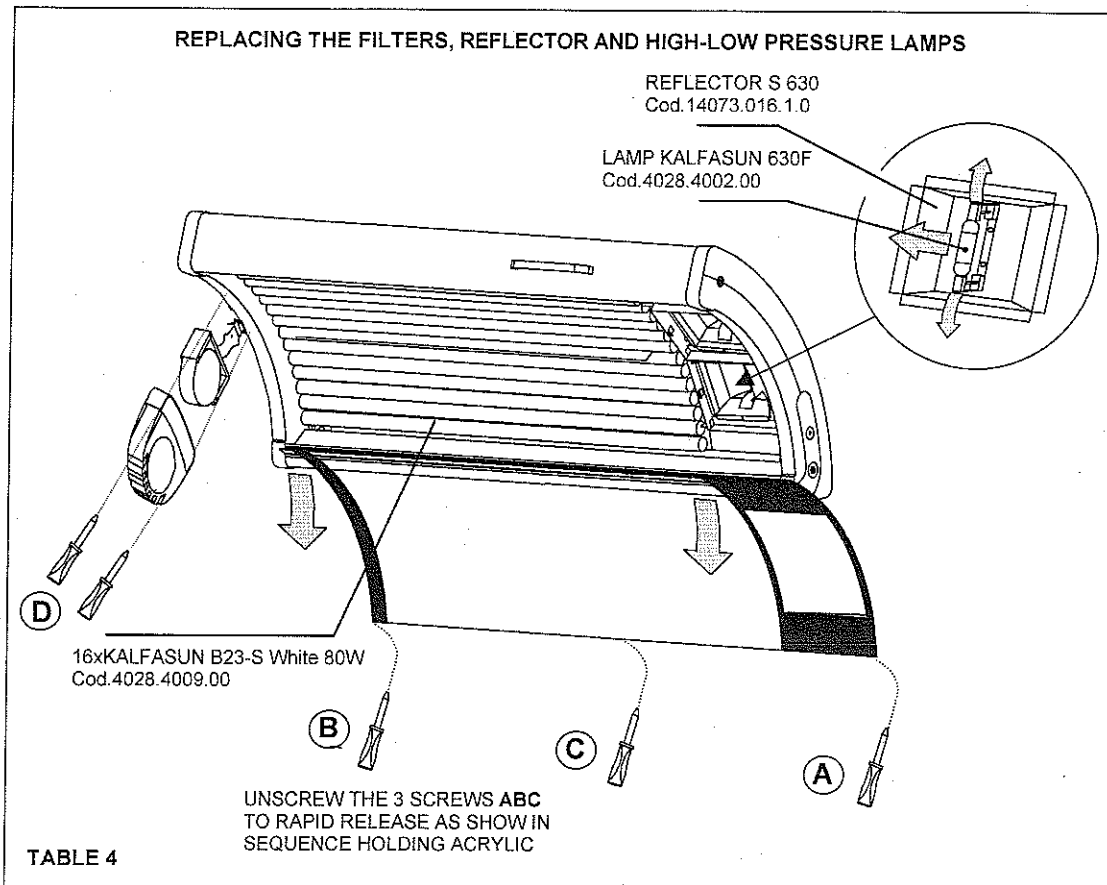
Loosen the screw 4.8x13 on the point A.

Loosen the widened screws 8x45 on the points BCD. At this point the piston E gets loose and comes out of some millimetres.

Take the plastic F out from its positions as much as possible.

Unscrew the two screws G that support the intensive I. Disconnect the wires of the lamps, the ignites and the fan, then take this one out by unscrewing the 4 screws 3.9x45, H.

To take off more easily the fan positioned in the intensive, we suggest to disassemble completely the canopy.



PERFORM THIS PROCEDURE IN STRICT ALPHABETICAL SEQUENCE

REPLACING BODY FAN

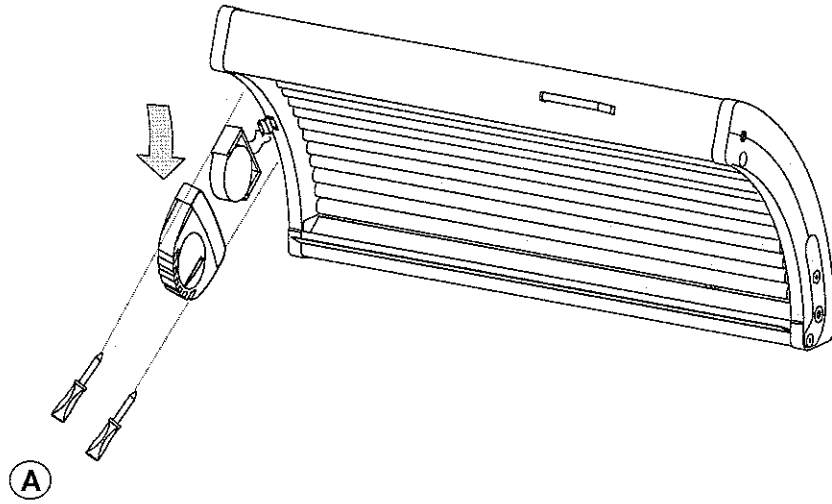
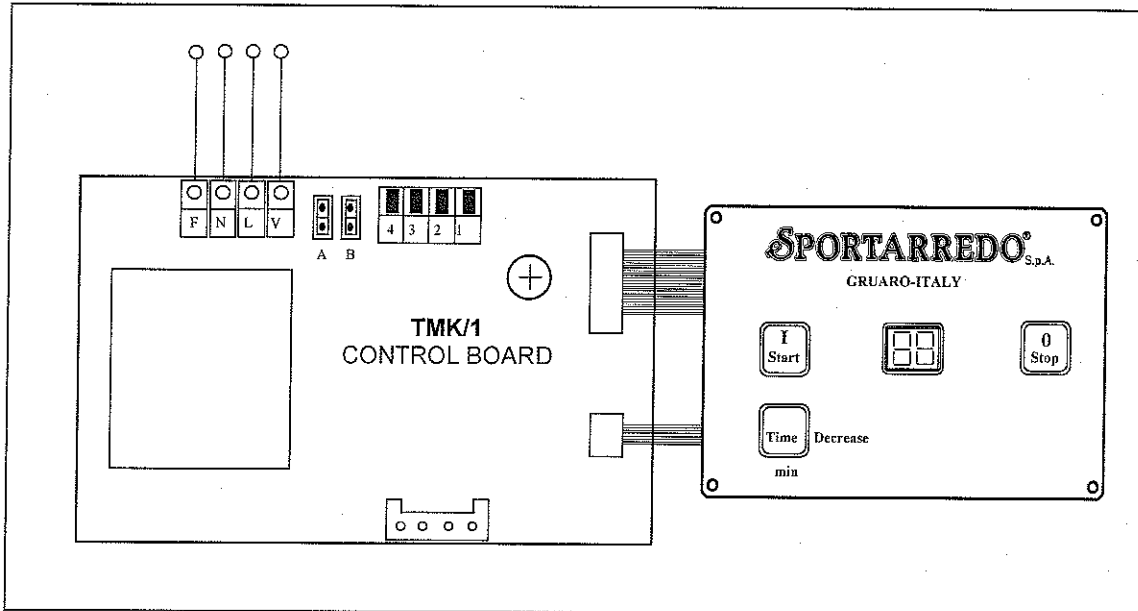


TABLE 6

PERFORM THIS PROCEDURE IN STRICT ALPHABETICAL SEQUENCE

8 - CONTROL BOARD PROGRAMMING

8.1 ELECTRONIC CONTROL BOARD CONNECTIONS



CIRCUIT BOARD TERMINALS: NUMBERING AND DESCRIPTION

- F = Power supply phase.
- N = Power supply neutral.
- L = Control phase for lamp.
- V = Control phase for fans.

TIMES REGULATION OF THE SESSION

Session time adjustment through microswitch 1-2-3-4 following the combination shown in the table.

It isn't possible to regulate the cooling time after the session it is programmed at 4 minutes.

Card is provided of protection fuse.

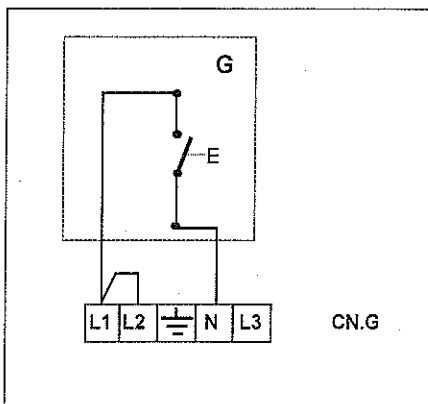
1	2	3	4	TIME (MIN.)	1	2	3	4	TIME (MIN.)
OFF	OFF	OFF	OFF	6	OFF	OFF	OFF	ON	22
ON	OFF	OFF	OFF	8	ON	OFF	OFF	ON	24
OFF	ON	OFF	OFF	10	OFF	ON	OFF	ON	26
ON	ON	OFF	OFF	12	ON	ON	OFF	ON	28
OFF	OFF	ON	OFF	14	OFF	OFF	ON	ON	30
ON	OFF	ON	OFF	16	ON	OFF	ON	ON	32
OFF	ON	ON	OFF	18	OFF	ON	ON	ON	34
ON	ON	ON	OFF	20	ON	ON	ON	ON	36

8.2 REMOTE CONTROLS

Connect the two wires of the coin box **G** to the terminals **L1** and **N** of the terminal board **CN.G** placed on the base. See "HOLIDAY 45_n°4/4" circuit diagram.

Terminals **L1** and **L2** of the terminal board **CN.G** are used for enable start.

Numbers **L1** and **L3** of the terminal board **CN.G** are used for remote stop. (Stop).



- **COIN ACCUMULATION FUNCTION**

With this connection the external push-button "START" will be automatically cut off from its function and the unit ignition will be possible only through coin box. Putting one or more coins, there will be an accumulation of the prefixed time. The solarium ignites just immediately after the introduction of the first coin.

To permit this function make follow these steps.

- Remove the small bridge to terminals numbered **L1 - L2** of the terminal board **CN.G**. See "HOLIDAY 45_n°4/4" circuit diagram.
- Remove the small bridge **A** from the **TMK/1** electronic board.
- Connect the wires of the coin box **G** to the numbers **L1** and **N** of the terminal board **CN.G**.

- **COIN ACCUMULATION FUNCTION AND START WAITING**

With this connection when putting one or more coins, there will be an accumulation of the prefixed time. The solarium ignites through the "START" push button of the control board.

To permit this function make follow these steps.

- Remove the small bridge to terminals numbered **L1 - L2** of the terminal board **CN.G**. See "HOLIDAY 45_n°4/4" circuit diagram.
- Remove the small bridge **A** and **B** from the **TMK/1** electronic board.
- Connect the wires of the coin box **G** to the numbers **L1** and **N** of the terminal board **CN.G**.

- **DELAYED IGNITION FUNCTION**

With this connection the external push-button "START" will be automatically cut off from its function and the unit ignition will be possible only through coin box. Putting one or more coins, there will not be an accumulation of the prefixed time. The solarium ignites with a certain delay after the introduction of the coin. It is possible to regulate the delay time.

To permit this function make follow these steps.

- Remove the small bridge to terminals numbered **L1 - L2** of the terminal board **CN.G**. See "HOLIDAY 45_n°4/4" circuit diagram.
- Remove the small bridge **B** from the **TMK/1** electronic board.
- Connect the wires of the coin box **G** to the numbers **L1** and **N** of the terminal board **CN.G**.

- **ADJUSTMENT OF THE DELAY TIME**

It is possible to adjust the delay time of the delayed ignition function.

Make follow these steps.

- Take off voltage from the unit.
- Push and keep pushed the "TIME" button of the control panel and at the same time give voltage to the unit.
- Adjust the delayed time acting on the trimmer placed in the **TMK/1** electronic board.
- Take off voltage from the unit.

9 - DEMOLITION AND WASTE MATERIALS

9.1 WASTE MATERIALS

The lamps are considered as disposable waste materials and all the materials regarding the packing. Due to their characteristics, these lamps are classified as non-toxic and non-harmful **special waste materials**. Disposal of the lamps must therefore be effected as required by the appropriate legislation.

DEFINITION OF SPECIAL WASTE MATERIAL: Residual material deriving from industrial processes or agricultural, artisan, commercial or service activities which, in view of their quantity of characteristics, are not classified as normal household refuse.

9.2 DEMOLITION OF THE MACHINE

Each country applies specific legislation concerning the disposal of machinery. Disposal of this machine must be carried out in compliance with the regulations laid down by local legislation and bye-laws. Dismantle the machine and group the various parts according to their chemical characteristics.


Dismantling of the machine must be performed by qualified personnel

10 - REPLACEMENTS AND CIRCUIT DIAGRAMS

10.1 SPARE PARTS LIST

REF	PC	CODE	DESCRIPTION
1	16	4028.1001.06	100W 60Hz BALLAST
2	16	4028.1001.05	80W 60Hz BALLAST
3	2	16973.000.0.0	MYSUN 600W BALLAST
4	6	4028.4300.00	CONDENSER 65 µF 400 V
5	1	4028.4304.00	CONDENSER 20 µF
6	1	4028.2100.04	LAMPS CONTACTOR FANTINI & COSMI HR1710
7	1	4028.2100.00	LAMPS CONTACTOR FANTINI & COSMI HR0910
8	1	4028.4500.01	CONTROL RELAY FOR COOLING FAN UNIT FINDER 60.13
9	1	4028.4550.01	UNDECAL RELAY SOCKET FINDER 90.27
10	4	4028.0021.00	EBM W2S130 AA0301 FAN
11	2	4028.0029.04	EBM 4650N FAN
12	1	4028.3250.00	TERMINAL BOARD 12 PINS 16MM ²
13	1	4028.3200.11	TERMINAL BOARD PA44 12 PINS
14	2	14073.016.1.0	S 630 REFLECTOR
15	16	4028.4009.01	LAMP KALFASUN B23-S WHITE 100W
16	16	4028.4009.00	LAMP KALFASUN B23-S WHITE 80W
17	2	4028.4002.00	KALFASUN 630F
18	2	4028.4400.04	IGNITER ZRM6
19	32	4028.3310.00	NEON HOLDER WITHOUT STARTER
20	32	4028.3310.01	NEON HOLDER WITH STARTER
21	32	4028.4020.03	STARTER PHILIPS S12
22	2	16976.003.0.0	SUPERLUX TR-T 240X210 FILTER
23	6	16976.004.0.0	COBALT FILTER (DIMENSIONS 230 X 75 X 1.6)
24	1	16946.109.2.0	BASE ACRYLIC
25	1	16946.121.2.0	CANOPY ACRYLIC
26	1	4028.5511.00	BLACK PLUG WITH 3 PINS ST18/5 S
27	1	4028.5611.00	BLACK SOCKET WITH 3 PINS ST18/5 B1
28	1	15906.000.0.0	TMK/1 CONTROL BOARD
29	1	16906.003.0.0	POLYCARBONATE KEYBOARD
30	1	4028.6000.01	HOUR COUNTER REVALGO
31	1	4025.2302.02	WHITE HANDLE
32	4	4023.4000.06	WHEELS
33	1	4025.7000.19	GAS SPRING 600N
34	1	4025.7000.18	GAS SPRING 500N
35	1	16916.000.0.0	CUSHION
36	1	15943.006.0.0	COVERING FAN YELLOW
37	2	16946.105.0.0	COVERING RIGHT ABS YELLOW
38	2	16946.106.0.0	COVERING LEFT ABS YELLOW
39	1	16946.118.0.0	COVERING YELLOW TIMER BOARD
40	1	14703.020.1.0	T.MAX CONTROL BOARD CTM/1
41	2	4028.2181.00	GREEN BUTTON D.25
42	1	16986.096.0.0	FACE STICKER AROUND THE GREEN BUTTON
43	1	16986.136.0.0	FAN STICKER AROUND THE GREEN BUTTON
44	1	16946.113.2.0	CONTROL BOARD PROFILE
45	1	16946.114.2.0	REAR PROFILE BASE
46	2	16936.012.1.0	ACRYLIC FLAP BASE
47	1	16946.111.3.0	FRONT PROFILE CANOPY
48	1	16946.112.3.0	REAR PROFILE CANOPY
49	2	4024.0010.03	UVA EYEWEAR

10.2 CIRCUIT DIAGRAMS LEGEND

SIMBOLS	DESCRIPTION
 G	Earth terminal
1AL - 16AL 4028.1001.05	Ballast for lamp Kalfasun B23-S White 80W
AC 4028.4400.04	Igniter for lamp Kalfasun 630F
AL 4028.1000.02	Ballast for lamp Kalfasun 630F
B1-B16 4028.1001.06	Ballast for lamp Kalfasun B23-S White 100W
C1-C2-C3 4028.4300.00	Power factor correction capacitor 65µF
C4 4028.4304.00	Capacitor 20µF
CN.G 4028.5511.00	Terminal board for connection of remote control unit
CO 4028.6000.01	Hour-counter
F-N = L1-L2	Phases of power supply
I 4028.2181.00	Body fan button
Int. 4028.2181.00	Face lamp button
HR 4028.2100.04	Contactora for low pressure lamps
HR1 4028.2100.00	Contactora for low pressure lamps
L1 4028.4009.01	Kalfasun lamps B23-S White 100W
L2 4028.4009.00	Kalfasun lamps B23-S White 80W
LAP 4028.4002.00	Kalfasun lamps 630F
MA	Terminal board for power supply
MB	Connector for base (10 pins)
MB/1	Terminal board for base (12 pins)
MT	Connector for canopy (24 pins)
MT/1	Terminal board for canopy (24 pins)
MT/2-3-5-6	Terminal board mammoth (3 pins)
RV 4028.4500.01	Control relay for cooling fan unit
S 4028.4020.03	Starter
Tast. 16906.003.0.0	Polycarbonate keyboard
TMK/1 16906.000.0.0	Control board TMK/1
V 4028.0029.04	Cooling fan for base and canopy
V1 4028.0021.10	Cooling fan for high pressure lamp
CTW/1 14703.020.1.0	T. Max control board
W1	Terminal board for external connection

DESCRIPTION CIRCUIT DIAGRAMS

- 1/4 Voltage-change diagram.
- 2/4 Practical diagram ballasts cassette.
- 3/4 Practical diagram of canopy.
- 4/4 Practical diagram of base.

11 - MEDICATION**11.1 MEDICATION**

Certain drugs can make your skin sensitive to ultraviolet light. The U.S. Department of Health and Human Services has published a booklet entitled Medications That Increase Sensitivity to Light; A 1990 Listing prepared by Jerome Levine, M.S., R.Ph. The booklet is HHS Publication FDA 91-8280 and is available from the U.S. Government Printing Office. Refer to this booklet or your health practitioner if you are taking any medications.

Dr. Richard Childers and Dr. Edward Emmett of Jhon Hopkins University compiled a list of drugs, foods, and other substances that could make your skin sensitive to ultraviolet light. This list is presented below:

- Diuretics (which help prevent water retention), prescribed for high blood pressure (for example, Hydrodiurii).
- Diabetes drugs-Orinase and Diabinase.
- Urinary tract infection treatments with phenothiazines.
- Tranquilizers, such as Thorazine.
- The acne treatment Retin-A.
- Antihistamines-Phenergan and Benadryl-particularly when they are used on the skin in ointment form.
- Antibiotics-Declomycin, Aureozicin, and Griseofulvin, which is use in ringworm treatment.
- Coal tar treatment for psoriasis or chronic eczema.
- Bacterial infection treatments using sulfanilamide.
- Compounds known as furocoumarins or psoralens, which sensitise skin to sunlight whether put on the skin or taken orally. They are prescribed for vitiligo (loss of skin pigmentation) and psoriasis.
- Birth control pills. The hormones they contain can react with sunlight and in some cases cause brown patches on the skin.
- Perfumes and colognes containing furocoumarins, compounds from natural products such as plants and fruits. Their natural oils cad sensitise the skin to sunlight.
- Food and fruits that contain photosensitising agents: celery, carrots, limes, coriander, parsley, fennel, dill, buttercup, mustard and figs.

12 - WARRANTY**12.1 LIMITED WARRANTY**

For USA see next page.

TERMS OF WARRANTY

Sportarredo USA, Inc. ("Sportarredo") warrants its tanning beds (the "Products") to be free from defects in materials and workmanship under intended normal use as described in the unit's Operation and Instruction Manual, for a period of two (2) years (the Warranty Period) from date of sale (proved by the invoice's date). This Limited Warranty does not cover the normal wear and tear of the Products.

This Limited Warranty applies only within the United States and Canada to the first end user (the "Buyer") of the Products and becomes void on the transfer or sale of the Products to any party other than the Buyer.

I. Registration Requirement

a. This Limited Warranty becomes effective only if the Buyer fills out and returns the Warranty Certificate, dated and signed by the Buyer, to Sportarredo at the address shown below within thirty (30) days of the sale of the Products.

b. By returning the Warranty Certificate to Sportarredo, the Buyer acknowledges to have fully read and understood the user's manual, and to have complied with all the instructions stated in that document.

II. Installation and Maintenance Requirements

a. This Limited Warranty does not apply when the installation has not been performed by Sportarredo's trained and certified technician. For the sake of clarity, the technicians have to be certified by Sportarredo, after attending Sportarredo's training courses.

b. This Limited Warranty does not apply if the Products are misused or abused, and there is evidence of mishandling, neglect, modification or repair without the approval of Sportarredo, or damage done to the Products by anyone other than Sportarredo.

c. This Limited Warranty does not apply to damages caused during transportation (including transport to and from the Buyer's location); or damage due to improper or lack of maintenance; voltage overloads or "under voltage"; insufficient or abnormal operation of electrical or hydraulic systems; improper or incorrect treatment of water supply; or corrosion caused by condensation or hard water; improper descaling treatments; or in general to any cause which does not specifically depend on defect in material or workmanship.

d. This Limited Warranty does not apply if the serial number on the product has been removed, altered or defaced.

III. Warranty Claim Procedure

In order to submit a Warranty Claim, the Buyer must provide Sportarredo with a written notice of any alleged defects within the Warranty Period, but in any case after no more than ten (10) days from the date of the discovery of the defects. At Sportarredo's option, the Buyer must ship the defective Product(s) to Sportarredo, at the address shown below, with mailing or shipping charged prepaid. Sportarredo shall be liable for and shall pay for the all freight, shipping and delivery costs of forwarding parts sent to Sportarredo for repair or replacement under the Limited Warranty. The Buyer shall be liable and pay for all labor and transportation charges in the event of a house call by an unauthorized technician. Adequate packaging must be used for returned goods to prevent freight damages.

IV. Warranty Services

a. Defective parts will be replaced upon receipt by Sportarredo. Only original parts obtained through Sportarredo USA Inc., its authorized dealers or distributors may be used. Shipping terms, methods, etc. must be pre-approved by Sportarredo prior to the return of the parts in question. Parts, etc. shipped to Sportarredo without prior approval will be refused and the owner/shipper will be responsible for all related shipping costs etc.

b. If the Products shall be proved to Sportarredo's satisfaction to be defective within the Warranty Period, Sportarredo's obligation under this Limited Warranty shall be limited to either repairing or replacing the Products, at Sportarredo's sole discretion, if such defect was caused solely by defective workmanship and materials. Such repair or replacement shall be Sportarredo's sole obligation and the Buyer's exclusive remedy hereunder and shall be conditioned upon the Buyer's fulfilling of its obligations under Warranty Claims Procedure. The obligations under this warranty are limited to repair or replacement of any defective part without charge for that part to the original purchaser, with the following exceptions:

1. Tanning lamps, filters, starters and igniters are warranted against defects for a period of sixty (60) days from date of sale.

2. Radios and speakers are warranted by the radio and speaker Sportarredo for the period of time indicated in their warranty certificates.

3. Labor will be furnished without charge for sixty (60) days from the date of purchase only. All labor and related charges must be authorized by Sportarredo USA Inc. prior to start of repairs, and must conform with Sportarredo USA Inc. established rates and time allotment policy.

4. All fans and batteries are warranted against defects for a period of two (2) years from date of sale.

5. Timer system, plastics reflectors and parts subjected to "normal" wear & tear (meaning parts intended to be used by the final customer during each session, as buttons, switches, profiles, etc) are warranted for one (1) year.

6. Acrylics are warranted for twelve (12) month prorated period (this warranty applies only if the "owner" of the units has used appropriate cleaners).

7. Mattresses and pillows are warranted for a period of six (6) months from the date of sale.

V. Exclusion from Limited Warranty

The following are not covered by this Limited Warranty

Scratches, splinters, or marks to the Products, unless Sportarredo is notified as soon as the Products are received by the Buyer;

Normal wear and tear;

Defects not caused by the Products, but that are the result of improper installation;

Misuse or abuse by the Buyer;

Physical damage to the Product as a result of unreasonable use and/or negligence.



VI. Limitations on Warranty

This Limited Warranty is provided by Sportarredo, and it contains the only express warranty provided to the Buyer by Sportarredo. Sportarredo does not authorize any other person, including distributors, sub-distributors, agents, to give any other warranties on Sportarredo's behalf.

SPORTARREDO DISCLAIMS ANY EXPRESS WARRANTY NOT PROVIDED HEREIN AND ANY IMPLIED WARRANTY, GUARANTY OR REPRESENTATION AS TO PERFORMANCE, QUALITY AND ABSENCE OF HIDDEN DEFECTS, AND ANY REMEDY FOR BREACH OF CONTRACT, WHICH BUT FOR THIS PROVISION, MIGHT ARISE BY IMPLICATION, OPERATION OF LAW, CUSTOM OF TRADE OR COURSE OF DEALING, INCLUDING IMPLIED WARRANTIES OF MERCHANTABILITY AND FITNESS FOR A PARTICULAR PURPOSE. SPORTARREDO FURTHER DISCLAIMS ANY RESPONSIBILITY FOR LOSSES, EXPENSES INCONVENIENCES, SPECIAL, INDIRECT, SECONDARY OR CONSEQUENTIAL, INCIDENTAL, AND CONTINGENT DAMAGES WHATSOEVER, INCLUDING DAMAGES ARISING FROM OWNERSHIP OR USE OF PRODUCT.

Implied warranties in jurisdictions where they may not be disclaimed shall be in effect only for the duration of the express warranty set forth herein.

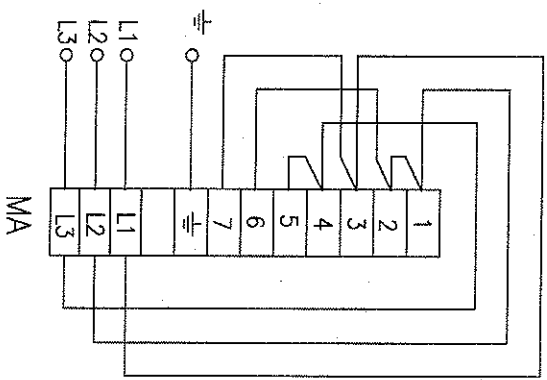
If the Buyer has a claim under this Limited Warranty or under any implied warranties provided to the Buyer by state law, the Buyer may not file a court action based on that claim any later than one (1) year after the Buyer's right to file a court action accrues. In those states that do not allow this limitation on the time period for filing a court action, this provision is inapplicable.

VII. Sportarredo's Liability

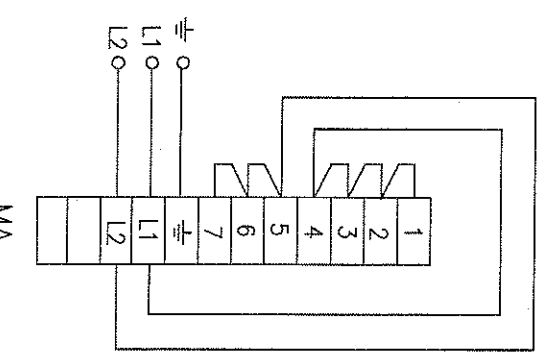
a. Sportarredo's liability with respect to the Product sold to the Buyer shall be limited to the Limited Warranty provided herein. Sportarredo SHALL NOT BE SUBJECT TO ANY OTHER OBLIGATIONS OR LIABILITIES, WHETHER ARISING OUT OF BREACH OF CONTRACT, WARRANTY, TORT (INCLUDING NEGLIGENCE AND STRICT LIABILITY) OR OTHER THEORIES OF LAW, WITH RESPECT TO THE PRODUCTS SOLD OR SERVICES RENDERED BY SPORTARREDO, OR ANY UNDERTAKING, ACTS OR OMISSIONS RELATING THERETO.

b. Without limiting the foregoing, Sportarredo specifically disclaims any liability for property or personal injury damages, penalties, special or punitive damages, damages for lost profits or revenues, services, down time, shut down or slow down costs, or for any other types of economic loss, and for claims of the Buyer's customers or any third party for any such damages. Sportarredo SHALL NOT BE LIABLE FOR AND DISCLAIMS ALL CONSEQUENTIAL, INCIDENTAL, AND CONTINGENT DAMAGES WHATSOEVER.

<p>ATTENZIONE:</p> <p>SOLO PER ALIMENTAZIONE 230V I PONTICELLI PER EFFETTUARE I CAMBI TENSIONE DEVONO AVERE UNA SEZIONE MINIMA DI 4mm²</p> <p>da 1 a N e E UNA SEZIONE DI 2.5mm²</p> <p>da 1 a 2 da 2 a 3 da 3 a 4 da 5 a 6 da 6 a 7</p>	<p>WARNING:</p> <p>ONLY FOR VOLTAGE 230V THE SMALL BRIDGES TO MAKE POWER CHANGES MUST HAVE A MINIMUM SECTION OF 4mm²</p> <p>from 1 to N and from 5 to F AND A SECTION OF 2mm²</p> <p>from 1 to 2 from 2 to 3 from 3 to 4 from 5 to 6 from 6 to 7</p>	<p>ATTENTION:</p> <p>CHANGEMENT DE TENSION 230V LES PETITS PONTS POUR EFFECTUER LES CHANGEMENTS DE TENSION DOIVENT AVOIR UNE SECTION MINIMUM DE 4mm²</p> <p>de 1 à N et de 5 à F ET UNE SECTION DE 2.5mm²</p> <p>de 1 à 2 de 2 à 3 de 3 à 4 de 5 à 6 de 6 à 7</p>	<p>CUIDADO:</p> <p>SOLO PARA ALIMENTACION 230V LOS PEQUEÑOS PUENTES PARA EFECTUAR LOS CAMBIOS DE TENSION TIENEN QUE TENER UNA SECCION MINIMA DE 4 mm²</p> <p>de 1 a N y de 5 a F Y UNA SECCION DE 2.5mm²</p> <p>de 1 a 2 de 2 a 3 de 3 a 4 de 5 a 6 de 6 a 7</p>	<p>ACHTUNG:</p> <p>FÜR DER SPANNUNGSWECHSLER 230V DIE BRÜCKCHEN FÜR DIE SPANNUNGSÄNDERUNGEN ZU MACHEN MÜSSEN EIN MINIMAL ABSCHNITT VOM 4mm² HABEN:</p> <p>vom 1 bis N und vom 5 bis F UND EIN ABSCHNITT VOM 2.5mm²</p> <p>vom 1 bis 2 vom 2 bis 3 vom 3 bis 4 vom 5 bis 6 vom 6 bis 7</p>
<p>PER ALIMENTAZIONE 400V 3N e 230V 3N SEZIONE FILO MINIMA 2.5mm²</p>	<p>FOR VOLTAGE 400V 3N AND 230V 3N MINIMUM SECTION 2.5mm²</p>	<p>POUR TENSION DE 400V 3N ET 230V 3N SECTION MINIMUM 2.5mm²</p>	<p>PARA ALIMENTACION 400V 3N Y 230V 3N SECCION MINIMA 2.5mm²</p>	<p>SPANNUNGSWECHSLER 400V 3N UND 230V 3N MINIMAL ABSCHNITT 2.5mm²</p>



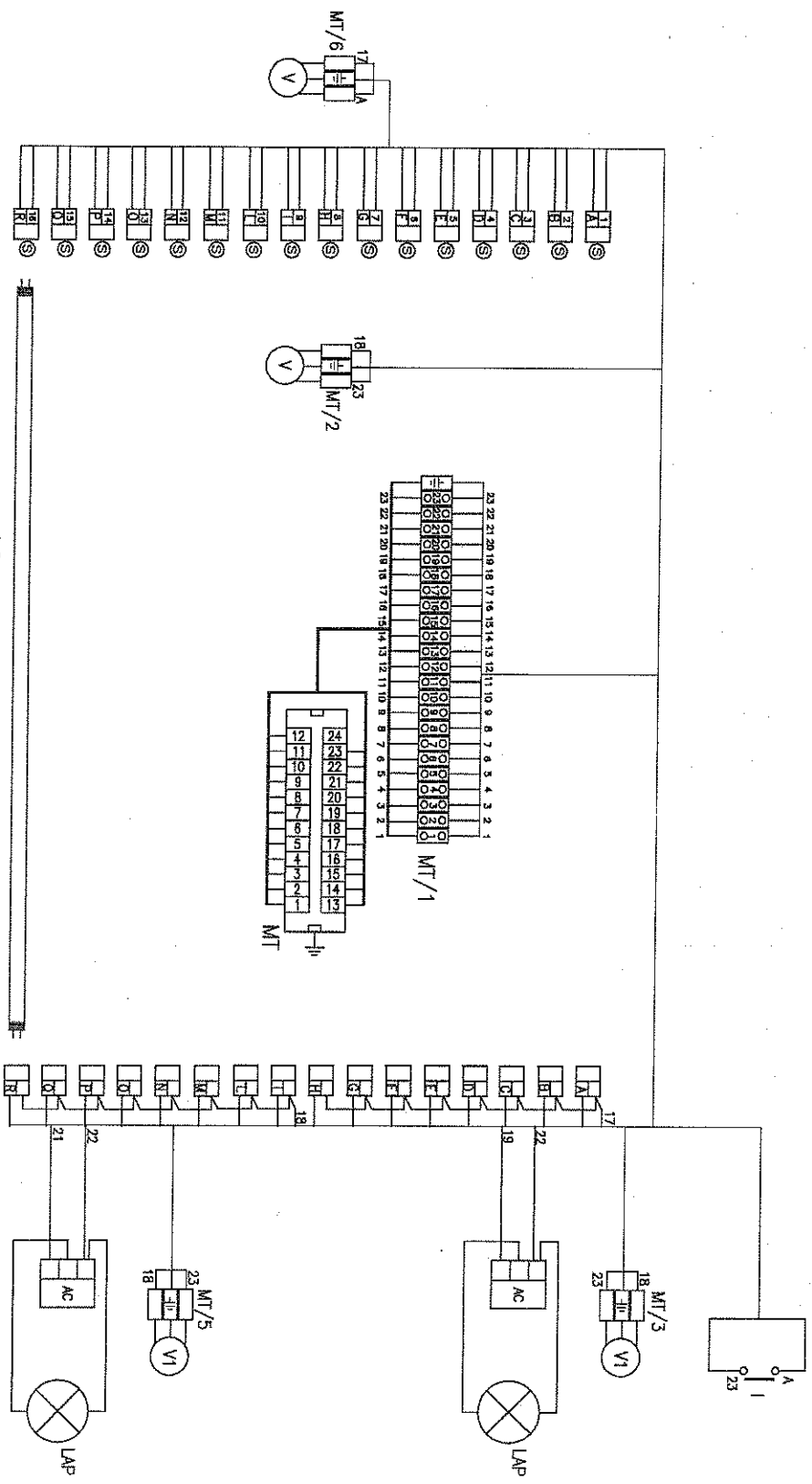
230V 3 ~



230V ~

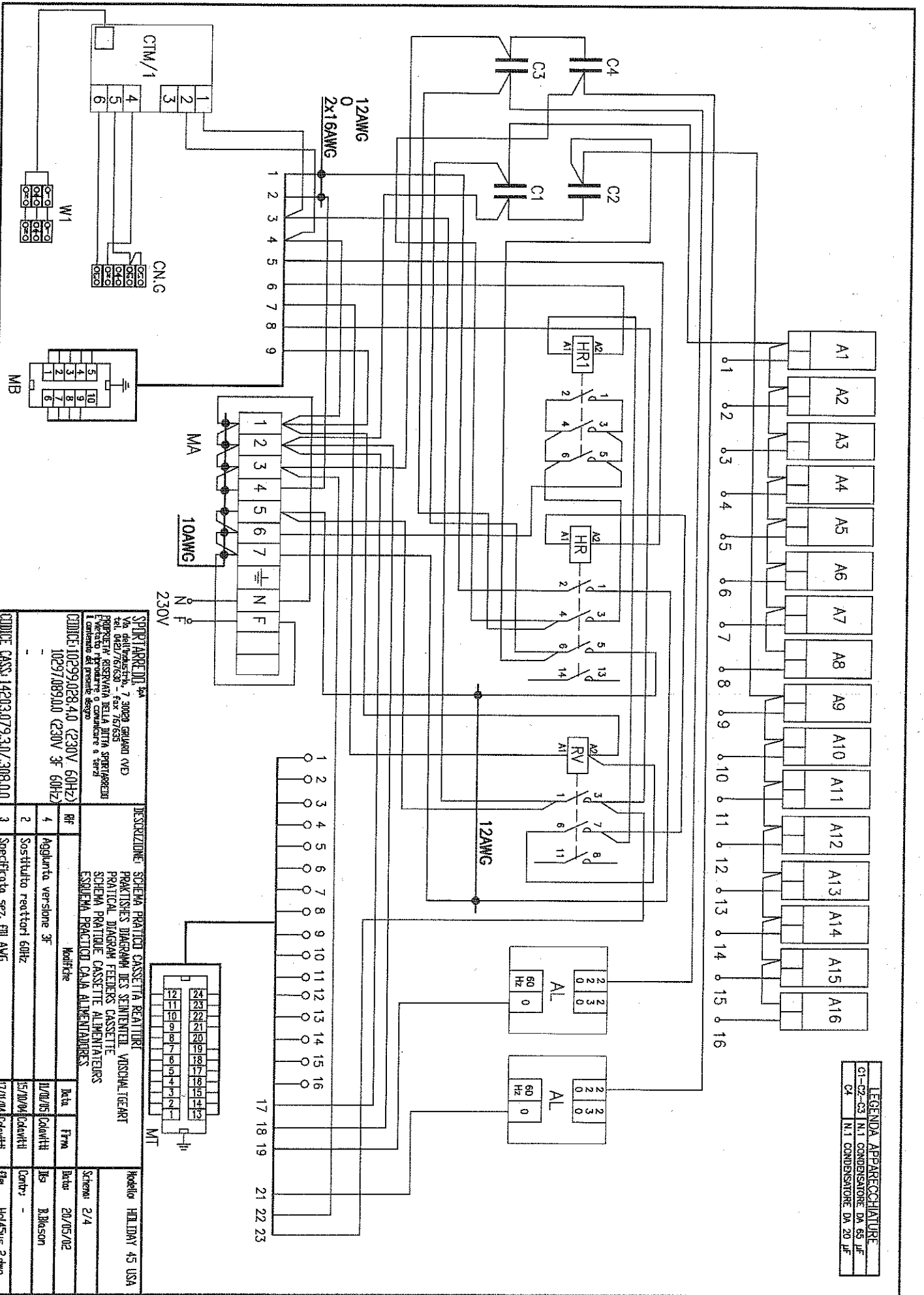
<p>SPORTARRENDI s.r.l. Via dell'Industria, 7 30029 BRONZO (VE) Tel. 0427/767630 - Fax 767635 ESPOSIZIONE INTERNAZIONALE DELLA CITTA' DI TRIESTE Fornitura di materiale e componenti a terra Lavorando nel rispetto dell'ambiente</p>		<p>DESCRIZIONE: SCHEMA CAMBIO TENSIONE DIAGRAMMI PER SPANNUNGSÄNDERUNG VON 1 FAC-CHANGE DIAGRAM SCHEMA CHANGE TENSION ESQUEMA CAMBIO TENSION</p>		<p>Modello: HILIDAY 45 USA Schema 1/4</p>	
<p>CODICE: 00299.028.4.0 (230V N 60Hz) 00297.089.0.0 (230V 3F 60Hz)</p>		<p>Modifiche</p>		<p>Data: 20/05/02</p>	
<p>REF</p>		<p>Modificata</p>		<p>Data: 20/05/02</p>	
<p>1</p>		<p>Modificata versione NT-MB</p>		<p>Data: 20/05/02</p>	
<p>2</p>		<p>Aggiunta schema elettrico</p>		<p>Data: 20/05/02</p>	
<p>3</p>		<p>Aggiunta versione 3F</p>		<p>Data: 20/05/02</p>	
<p>CODICE CASS./CANALI -</p>		<p>1/0/0/05</p>		<p>1/0/0/05</p>	

L2 = 16 x 80W



SPORTARREDDI spa Via dell'Industria, 7 30029 BRIGANDI (VE) Tel. 0427/767658 - Fax 767653 RINGHIERI RICEVIMIA DELLA BILTA SPORTARREDDO L'azienda di Ricerche e Commerciale a Verzi L'azienda di Ricerche e Commerciale a Verzi		DESCRIZIONE: SCHEMA PRATICO DELLA TESTA PRACTICES DIAGRAM DES DIBERTELS PRACTICAL DIAGRAM OF CANDY SCHEMA PRATIQUE DE LA TETE ESQUEMA PRACTICO DE LA PARTE SUPERIOR		Modello HOLLINAY 43 USA Schema 3/4	
CODICE: 10299.028.4.0 (230V 60Hz) 10297.089.0.0 (230V 3F 60Hz)		Modifiche		Data 17/04/82 Firma GAVANTI	
RE		1 Modificata nomenclatura MT		Dis B. BIASON	
2 Aggiunta versione 3F		3		Contr: - File: H04505_3.dwg	
CODICE CLASS. CARL. -					

LEGENDA APPARECCHIATURE
 C1-C2-C3 N.1 CONDENSATORE DA 68 μF
 C4 N.1 CONDENSATORE DA 20 μF



SPORTARELLI spa
 Via dell'Industria, 7 30029 BRIGANDI (VE)
 tel. 0421/767630 - Fax 767631
 RAPPRESENTAZIONE DELLA DITTA SPORTARELLI
 IMPORTAZIONE, DISTRIBUZIONE E ASSISTENZA
 TECNICA DEL PRESENTE DISPOSITIVO

DESCRIZIONE: SCHEMA PRATICO CASSETTA REATTORI
 PRAKTISCHES DIAGRAMM DES SEMIENNEIL VISCHALTIERGEART
 SCHEMA PRATIQUE CASSETTE ALIMENTATEURS
 ESQUEMA PRACTICO CASSIETA ALIMENTADORES

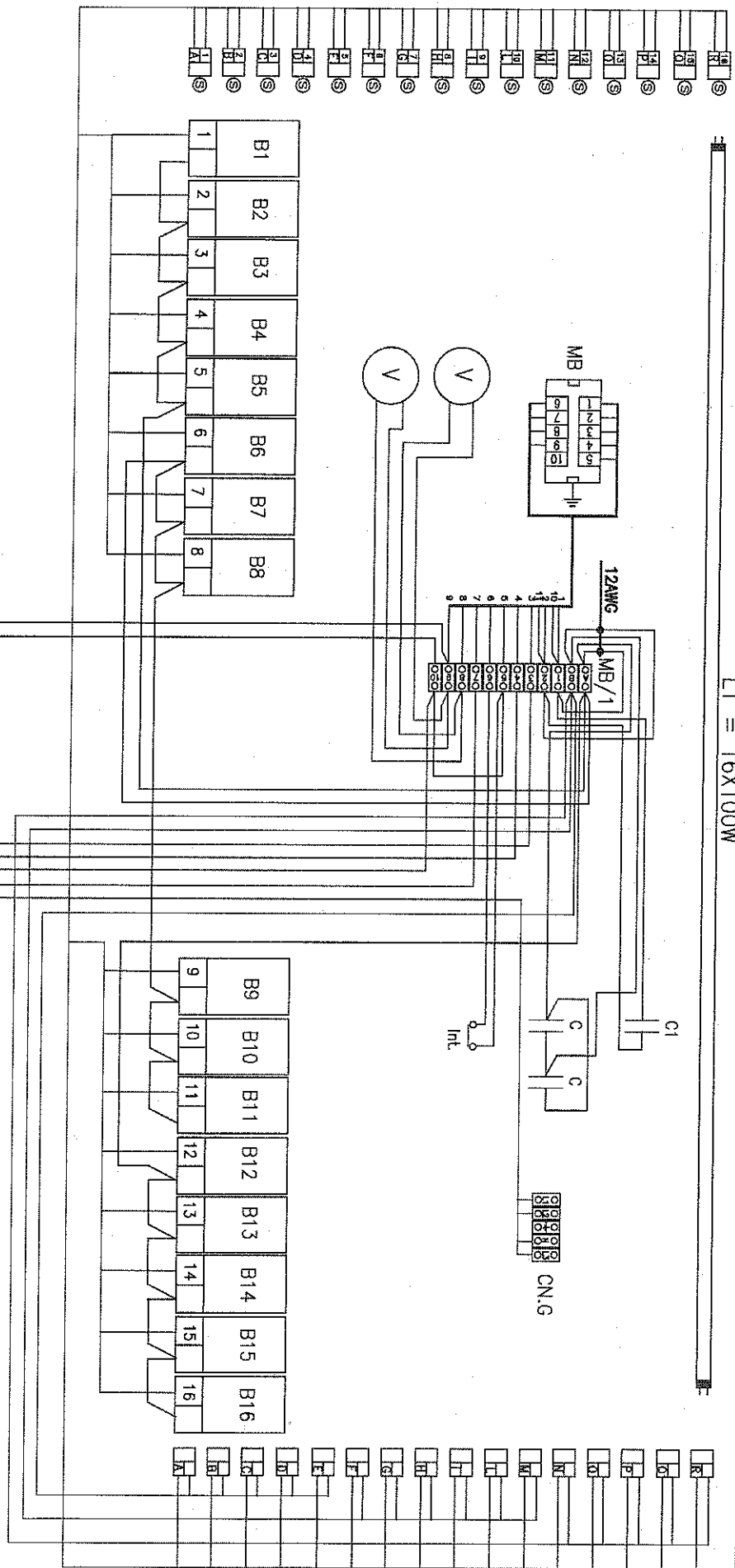
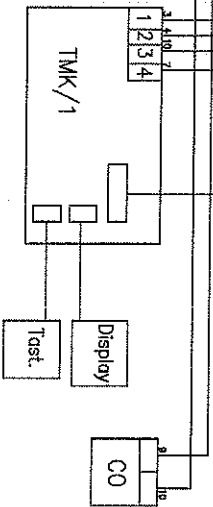
Modello HILLDAY 45 USA
 Schema 2/4
 Data 20/05/02
 Dis B. Blasson

CHIMICHE 102990284.40 (230V 60Hz)	RF	Aggiunta versione 3F	Data	Firma	Data	Scheda
102970893.00 (230V 3F 60Hz)	2	Sostituito reattori 60Hz	17/07/04	Canatti	Dis	B. Blasson
CHIMICHE CLASS. 14203079.30/3089.00	3	Specificata sez. fili AWG	17/07/04	Canatti	File	H045Us_2Awg

L1 = 16X100W

LEGENDA APPARECCHIATURE

C1	N.1 CONDENSATORE DA 20 µF
C	N.2 CONDENSATORI DA 65 µF



SPORTARREBIT spa
 Via dell'Industria, 7-30029 GRADINI (VE)
 Tel. 0427/67634 - Fax 75/653
 PROPRIETÀ RISERVATA DELLA DITTA SPRTARREBIT
 È vietata espressamente la ristampa o l'uso
 il contenuto del presente disegno

DESCRIZIONE SCHEMA PRATICO DELLA BASE
 PRAKTIŠES DIAGRAM DER LIEGE
 PRACTICAL DIAGRAM DE LA BASE
 SCHEMA PRATIQUE DE LA BASE
 ESQUEMA PRACTICO DE LA BASE

Modello **HOLLIVAY 45 USA**

Schema	A/4
Data	20/05/02
Disegnato	B. Bruson
Controllato	-

CODICE 1029902840 (230V 60Hz)
1029788900 (230V 3F 60Hz)

1	Modificata nasettiera MB	Data	17/10/02	Quantità	1
2	Verba distrubutore fusi e agg condensatore da 20 µF	Data	16/11/04	Quantità	1
3	Aggiunta versione 3F	Data	10/01/05	Quantità	1

CODICE CASS./CABLU 172737300