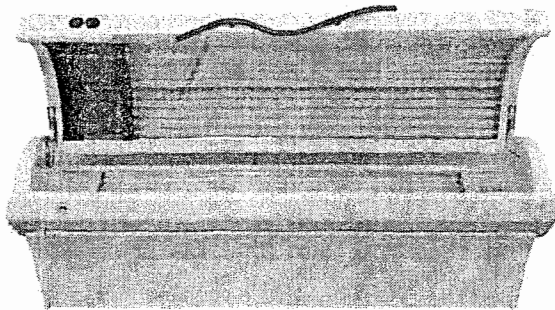


OPERATIONS MANUAL: KLASSIK SERIES

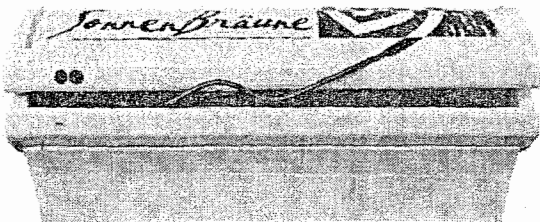
SonnenBräune



SonnenBräune Wolff System

Model 732/3 Klassik Series

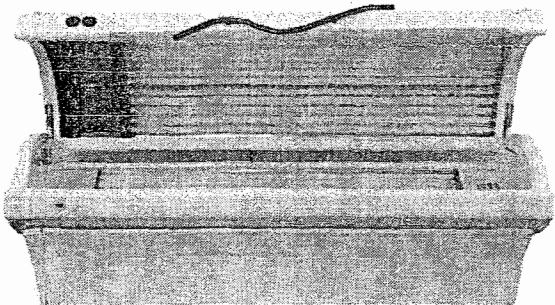
Equipped with Wolff System Bellarium Plus SA 2-71-100W BiPin or Bellarium SA 1-71-100W BiPin and Philips Cleo-HPA/30 SICV 400W.



SonnenBräune Wolff System

Model 732 Klassik Series

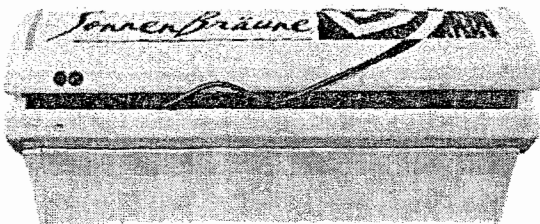
Equipped with Wolff System Bellarium Plus SA 2-71-100W BiPin or Bellarium SA 1-71-100W BiPin.



SonnenBräune Wolff System

Model 726/1 Klassik Series

Equipped with Wolff System Bellarium Plus SA 2-71-100W BiPin or Bellarium SA 1-71-100W BiPin and Philips Cleo-HPA/30 SICV 400W.



SonnenBräune Wolff System

Model 726 Klassik Series

Equipped with Wolff System Bellarium Plus SA 2-71-100W BiPin or Bellarium SA 1-71-100W BiPin and Philips Cleo-HPA/30 SICV 400W.

2 • WARNING LABEL - KLASSIK SERIES



Warning Label: (Located on tanning bed bench) Please read important safety information relating to the proper operation of this equipment.

Label for
Klassik Series
Models
732 & 732/3
726 & 726/1

DANGER: ULTRAVIOLET RADIATION. FOLLOW INSTRUCTIONS. AVOID OVEREXPOSURE. AS WITH NATURAL SUNLIGHT, OVEREXPOSURE CAN CAUSE EYE AND SKIN INJURY AND ALLERGIC REACTIONS. REPEATED EXPOSURE MAY CAUSE PREMATURE AGING OF THE SKIN AND SKIN CANCER.

WEAR PROTECTIVE EYEWEAR: FAILURE TO MAY RESULT IN SEVERE BURNS OR LONG-TERM INJURY TO THE EYES.

CAUTION! EXPOSURE POSITIONS OTHER THAN SPECIFIED CAN BE HARMFUL AND ARE NOT RECOMMENDED.

In most cases, slight tanning will appear within six hours of the first application. Providing your skin is capable of absorbing a tan. A tanning tan may be used after each tanning session.

This system is intended to be used only with the Vellux System Ballerium Plus SA 2.71, 2.72 or Ballerium 5 SA 1.71, 2.00W, and Phages (DPA-HEAVY) M/C 400W.

For particular service call Sunlight Systems, Inc. 800-447-6553. Sunlight Systems, Inc. Product Performance Standard 1, Chapter 1.

MEDICATIONS OR COSMETICS MAY INCREASE YOUR SENSITIVITY TO THE ULTRAVIOLET RADIATION. CONSULT YOUR PHYSICIAN BEFORE USING SUNLAMP IF YOU ARE USING MEDICATIONS OR HAVE A HISTORY OF SKIN PROBLEMS OR BELIEVE YOURSELF ESPECIALLY SENSITIVE TO SUNLIGHT. IF YOU DO NOT TAN IN THE SUN, YOU ARE UNLIKELY TO TAN FROM THE USE OF THIS PRODUCT.

THIS DEVICE IS INTENDED TO BE USED BY ONE PERSON AT A TIME. YOU MAY LIE DIRECTLY ON TANNING SURFACE.

The minimum exposure position is 0.5 in. (1.27 cm) from the lamp's surface (preset by the manufacturer). Read the instruction booklet before using this device.

Skin Type II - This is the individual that usually burns easily and severely, tans minimally or lightly and peels.
Skin Type III - Often referred to as average complexion, burns moderately and tans about average.
Skin Type IV - This individual burns minimally, tans easily and above average.
Skin Type V - This individual's skin rarely burns, tans easily and substantially.

Recommended Exposure Schedule

Skin Type	Week 1 Sessions 1-3	Week 2 Sessions 4-6	Week 3 Sessions 7-10	Week 4 Sessions 11-15	Weekly Cumulative Session
II. Fair	4 Minutes	8 Minutes	12 Minutes	16 Minutes	20 Minutes
III. Medium	4 Minutes	8 Minutes	12 Minutes	16 Minutes	20 Minutes
IV. Dark	4 Minutes	8 Minutes	12 Minutes	16 Minutes	20 Minutes
V. Very Dark	4 Minutes	8 Minutes	12 Minutes	16 Minutes	20 Minutes

Maximum use time: 20 minutes

Table of Contents

- 2 Warning Label for Klassik Series**
- 4 Welcome to SonnenBräune**
- 5 Quality Assurance Program**
- 6 Common Questions**
- 8 Bed Assembly & Diagrams**
- 11 Electrical Requirements & Adapting Database Timer**
- 12 Operation & Features**
- 13 Exposure Tables & Considerations**
- 15 Maintenance**
- 17 Troubleshooting**
- 18 Special Tanning Conditions**
- 19 Warranty**
- 20 Bed Specifications for Klassik Series Beds**
- 22 Parts Diagram & Listing**
- 24 732/3 Wiring Diagrams**
- 28 732 Wiring Diagrams**
- 32 726/1 Wiring Diagrams**
- 36 726 Wiring Diagrams**

The logo for SonnenBräune is written in a stylized, cursive script. The letters are dark and have a slightly irregular, hand-drawn appearance. The 'S' is particularly large and loops around the 'o'. The 'ä' has a small dot above it. The 'u' is also quite large and loops around the 'e'. The entire logo is underlined with a simple horizontal line.

4 • WELCOME

Dear Customer,

We congratulate you on your purchase of a new SonnenBräune Klassik Series tanning bed. Thank you for your business.

Please read the instructions carefully before you use the unit for the first time.

Our tanning beds are manufactured combining the latest and highest-technology with the quality and reputation of the SonnenBräune name. The exclusive Wolff System lamps are surrounded by a high performance special reflector of polished aluminum. This ensures an optimum utilization of each lamp.

Each unit has been factory tested and is released only after a thorough final inspection, insuring that you receive the finest tanning equipment available today. Also, all of our equipment meets all applicable FDA regulations and the strict requirements of Underwriter Laboratories.

SonnenBräune, Inc.
Headquarters
6362 Battlefield Parkway
Ringgold, GA 30736
1-800-829-6533

Corporate Salon Showroom
Tans by SonnenBräune
1250 Tech Drive, Suite 440
Norcross, GA 30093
770-806-8267

Visit our web site to view our
entire line of extraordinary beds...

www.sonnenbraune.com



SonnenBräune®

THE RAY OF THE FUTURE.

Assured Quality

SonnenBräune has initiated a Quality Management Program that uses a team of qualified assembly personnel and management to strictly inspect each bed manufactured at the SonnenBräune production facility. And, since the inception of this program, there have been zero product defects.

Before each bed shipment, there is now a process of inspection and approval from Rick Gray, SonnenBräune's president. This certifies and reinforces our commitment to quality and service for the customer.



6 • COMMON QUESTIONS

Klassik Series "A" Body Beds

732/3 • 732 • 726/1 • 726

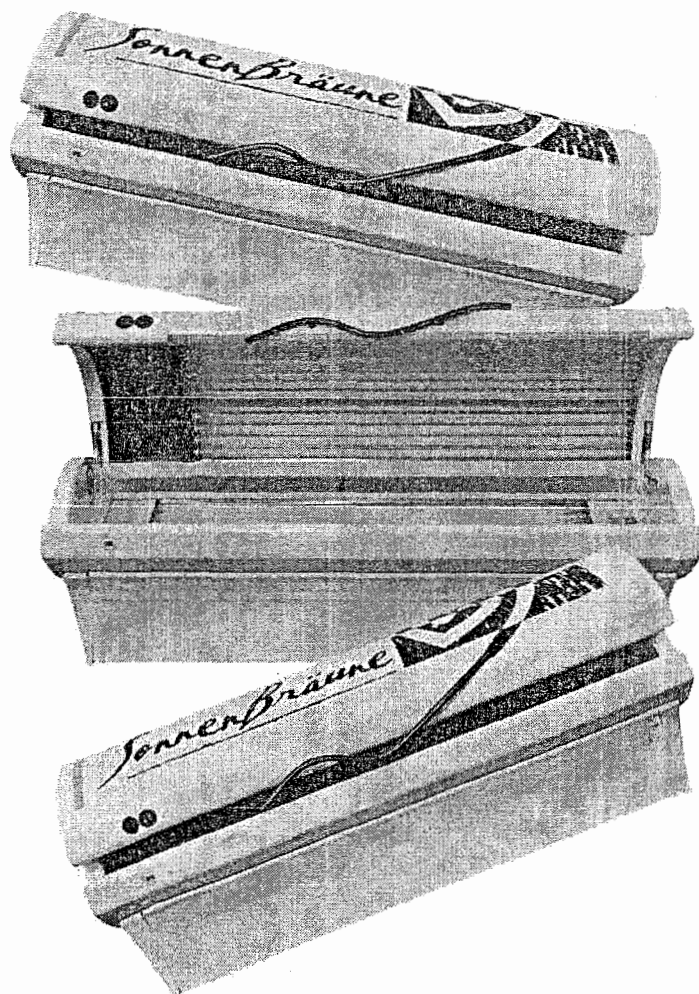
? Some commonly asked questions and concerns about your new bed:

How will my SonnenBräune tanning bed arrive?

Your SonnenBräune tanning bed will be delivered in multiple boxes by a common freight carrier. To safely unload the boxes, you will need a hand truck and ample assistance.

Inspect your tanning bed for damage that may have occurred during shipping.

Thoroughly inspect your bed for damage that may have occurred during shipping. Even with the best of care in packaging, damage is possible. Should you find any damage, inform your SonnenBräune representative at once for assistance and inform the freight carrier immediately. Please note that SonnenBräune or your SonnenBräune distributor can not be held responsible for freight damage, however we will assist in filing the appropriate freight claim reports.



Tips for removing special packaging and transporting your tanning bed into the tanning room.

Once your bed has been off-loaded and taken to the installation site, cut the bands that have secured the special packaging. Each box will be marked indicating "bench" or "canopy." First, install the bench in your tanning room. This could require a 4-wheel dolly. Once the base is in place, follow simple assembly instructions that begin on page 8 to complete your bed.

Common questions about receiving shipment & bed installation:

Customer responsibility when receiving shipment of bed.

Accepting your tanning bed shipment and unpacking the contents deems the contents sole responsibility of the recipient. Should the boxes or crates be damaged, inspect the contents prior to accepting shipment. If damage exists, contact the delivery carrier and your distributor immediately. SonnenBräune is not responsible for damage that has occurred during shipping, unpacking, or installation of bed. If damage has occurred while in route to destination, the carrier is responsible. Contact the carrier first, then your SonnenBräune distributor.

What to expect when special arrangements have been made to include installation with your purchase.

If special arrangements have been made to include the installation, the tanning bed will be delivered to the site and assembled in the room. All electrical connections from the bed to the ballast trays will be made by the installer. At this point the bed is ready for the electrician to connect power (buck-booster) to the unit. If all the electrical is done (proper voltage and wire supplied) the installer may connect power to the unit.

What's not included in the tanning bed installation?

There will be no electrical work performed by the installer except on the tanning unit. The installer will not wire the Buck-Boost transformers. The installer will not connect exhaust hoses to the building (Only to the tanning unit). There will be no modification made to the building (walls, ceiling, etc.) by the installer.

The End-User must supply proper room size and access to the room.

SonnenBräune will not be responsible for dents or scratches to the unit when proper room size and access to the room is not provided (to be determined by the installer).

SonnenBräune will not be responsible for damage to the unit during shipping or while being installed by anyone other than a SonnenBräune Certified Installer.

Buck-Boosters

Buck-Boosters will not be supplied by SonnenBräune. If the customer's electrician cannot supply the customer with a buck-booster, ask the customer or the customer's electrician to contact Paul at Ringgold Electric (706-965-7997) with their incoming voltage and bed model for the buck-booster needs.

8 • ASSEMBLY OF BED



Assembly instructions for your SonnenBräune Klassik Series tanning bed:

Important-

All electrical testing and installation of parts must be performed by a certified electrical technician. Your electrician should contact SonnenBräune's service department for advice prior to making any adjustments or changes.

After the unit has been removed from its packaging, the bench must be installed in the installation site first. Deliver the bench to the installation site laying face down.

Step 1) Attach facade bracket to leg assembly (Diagram 1, #7). Attach pivot point and cam locks for facade mounting (Diagram 1 # 4,5 & 6). Next install leg pads (Diagram 1, #8).

Step 2) Install the two legs with screws supplied to the bench. CAUTION - care should be taken when installing the legs. The flanged edge of the leg must be installed to the direction of the end caps, away from the ballast tray (Diagram 2, #9). NOTE - special support plate must be installed between leg assembly and body assembly for added support. (Diagram 2, #10).

Step 3) Set the bench up in the position that it will remain.

Step 4) Install the brakes (Diagram 3, #14) in the hinge arm (Diagram 3, #17) with adjustment screw (Diagram 3, #13) aligned with arm (Diagram 3, #16) prior to installing hinge to bench.

Step 5) Attach hinge arm to bench as shown (Diagram 4).

Installing the Canopy:

Step 6) Position the head cushion on the front edge of the bench so that the canopy can rest on the bench.

Step 7) Insert the brake boss that protrudes from each end of canopy into the previously installed brakes, one end at a time.

Step 8) Insert the main pivot bolts through the brake into the boss of the canopy and tighten (Diagram 5, #19 & 20).

Step 9) Now, install the pistons (Diagram 6, #21, 22 & 23) and the end caps.

Power drawer installation:

Step 10) Insert power trays under bench.

Step 11) Connect the power leads from the bench and canopy as marked in color coded sequence.

Step 12) Turn on power switch which is mounted on ballast tray.

Step 13) Test unit.

Step 14) Install facade.

Call your SonnenBräune representative in the event you have difficulty with any of the instructions above. The most common problems to check for in the event your tanning bed does not function are:

- Improper connections to the power tray.
- Inadequate power supply.

See Pages 9 & 10 for Assembly Diagrams #1-#6

Assembly Parts List For Diagrams 1 - 6

1. Leg Assembly
2. Leg
4. & 5. Facade Pivot
6. Facade Camlock
7. Facade Flange
8. Leg Pads
9. Leg Panel
10. Leg Support
11. Pivot Bolt Bushing
12. Flat Washer
13. Brake Adjustment Screw
14. Brake
15. Flat Washer and Brake Bolts
16. Brake Adjustment Access
17. Hinge Arm
18. Lock Washers and Hinge Bolts
19. Main Pivot Bolt
20. Flat Washer
21. Piston
22. Piston Support
23. Piston Clip
24. Brake Adjustment Tool

DIAGRAM 1

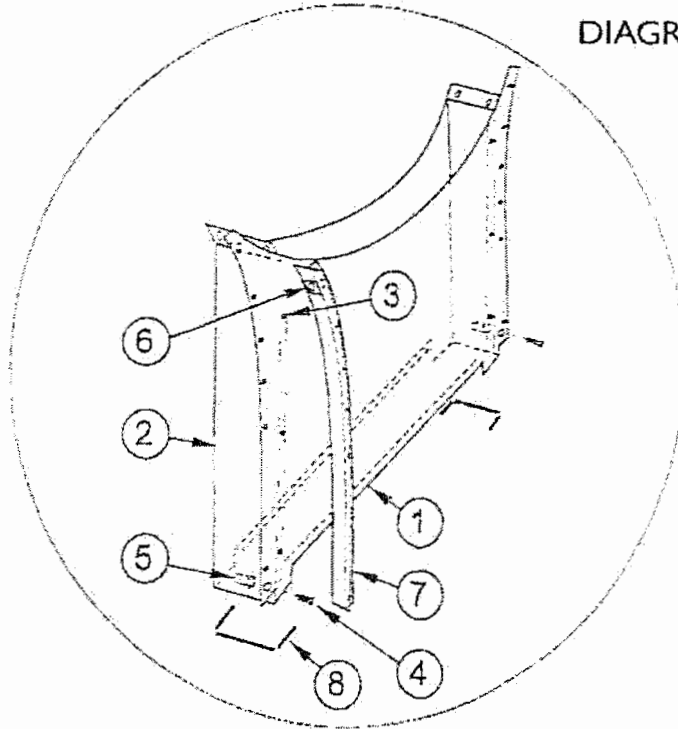


DIAGRAM 2

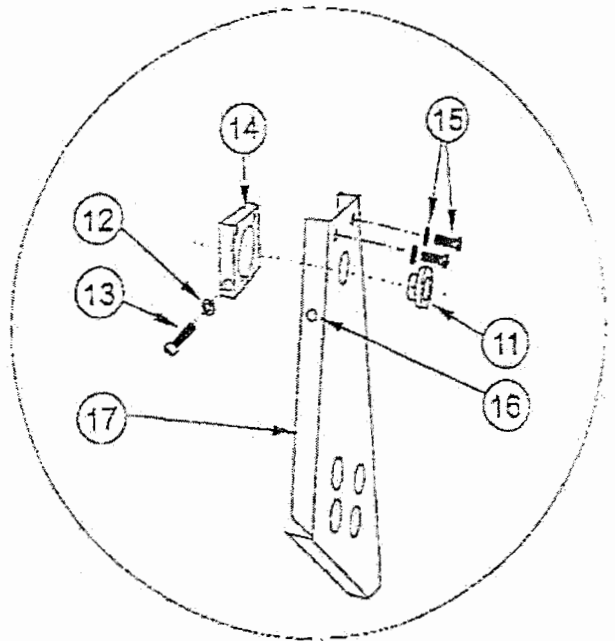
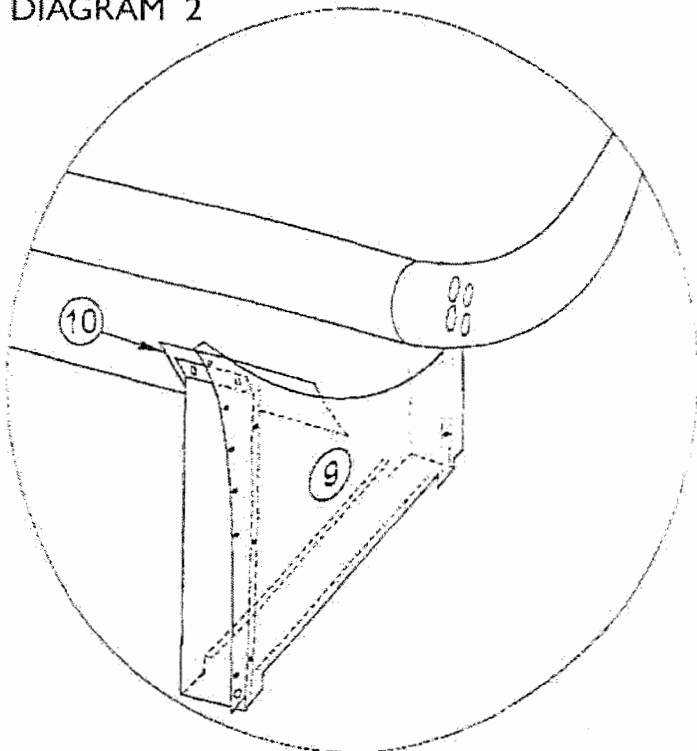


DIAGRAM 3

10 • ASSEMBLY DIAGRAMS

DIAGRAM 4

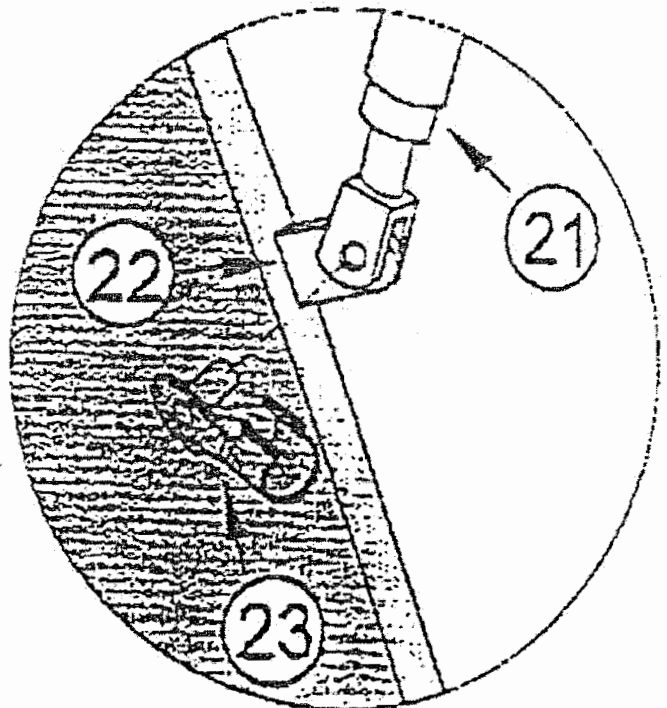
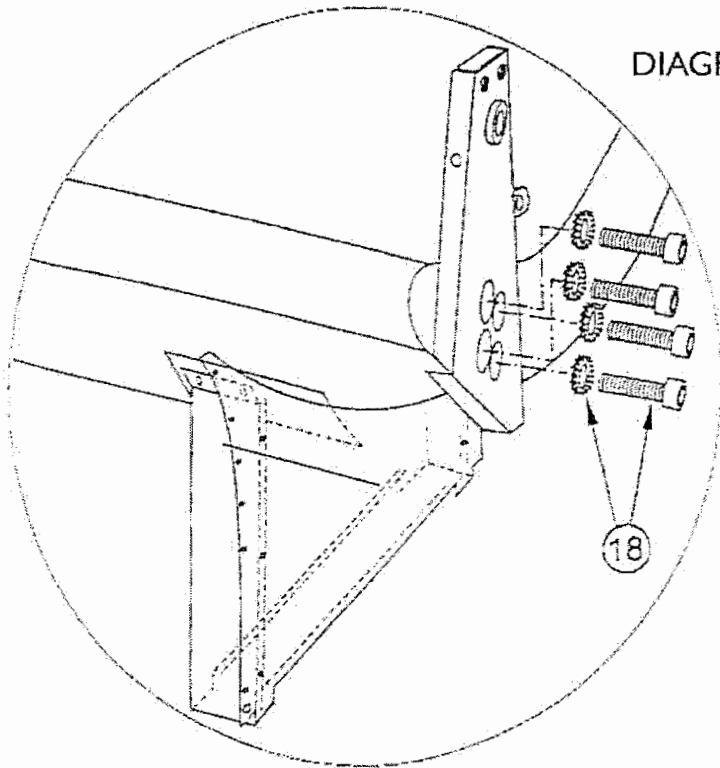


DIAGRAM 5

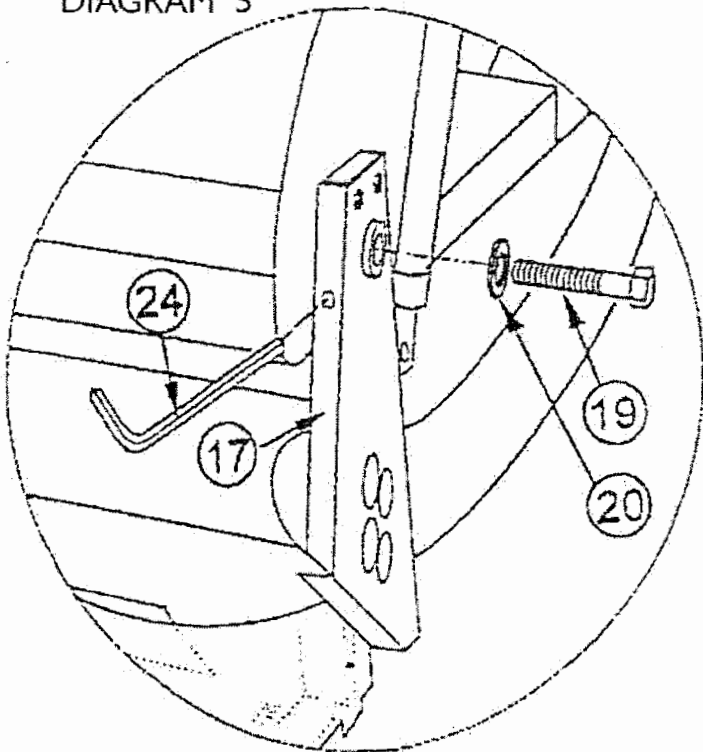


DIAGRAM 6

ELECTRICAL REQUIREMENTS • 11

Electrical Requirements and Connections for Your Klassik Series

Your new tanning bed must operate on 220 VAC 60 Hz single phase only. A qualified electrician must be used to connect this appliance to your electrical supply. Your SonnenBräune bed must run between 215 to 225 volts. You should not operate your unit on voltage outside of this range, because you will damage the bed and void the warranty. Please give this information to your electrician and have him/her take a digital voltage reading on your incoming power to determine the exact voltage. If your voltage is not between 215 and 225 volts, you need to purchase a "buck boost" transformer. They are available from SonnenBräune. The purpose of this transformer is to regulate your voltage to correct the level. This is very important to ensuring that your bed is operating properly and in avoiding future problems. To avoid over heating of the unit, do not cover the air vents.

ADAPTING A DATABASE TIMER

Adapting a database timer to SonnenBräune equipment:

Connect the two low voltage wires from the timer to the on/off switch that is provided with your database system. The on/off switch should be mounted in the wall by the tanning bed. Take two, 16-gauge wires and connect them to a 14-pin male timer plug in positions 7 & 12 as shown in Diagram 7. Then connect the 14-pin male timer plug to the female timer port located on the right end of the main tray.

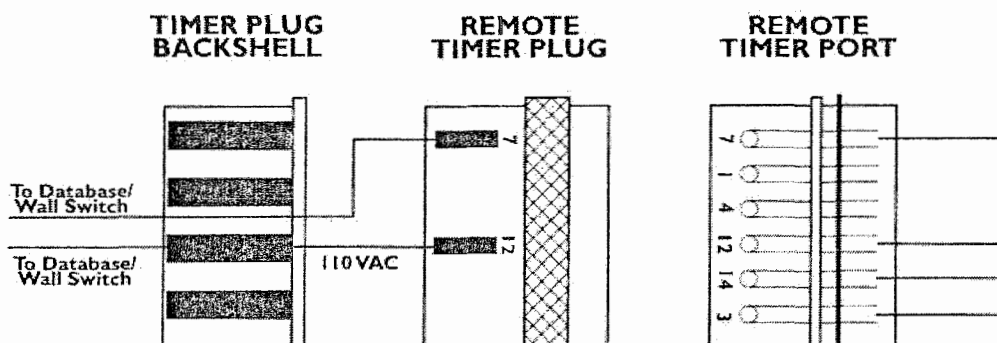


DIAGRAM 7



12 • OPERATIONAL PROCEDURES & FEATURES



Proper Operational Procedures for Your Tanning Bed:

Warning:

AVOID EYE DAMAGE. Always wear proper protective eye wear. Eyes should be kept closed.

Easy Access Control Buttons:

Your SonnenBräune tanning bed is equipped with three easy access control buttons to operate special features on your unit. See diagram for operational procedures for each control button function. (Diagram #8, buttons A & B).

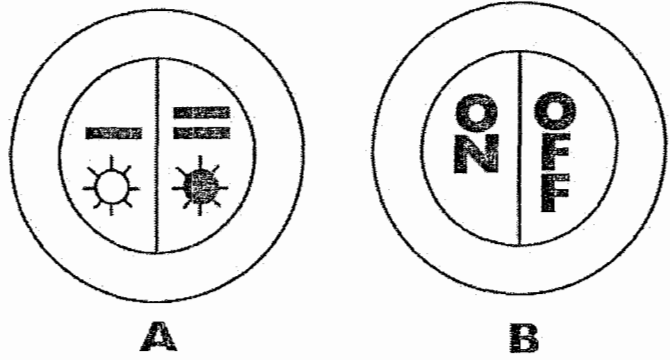
Remote Timers:

All Klassik Series models are equipped with a remote timer that has a 20 minute maximum exposure time.

The remote timer can be set to the desired minute mark to activate the sunbed and start the session. The timer also serves as an emergency termination switch. To terminate emission of ultraviolet radiation, simply turn the timer dial to zero.

The unit is also equipped with an ON/OFF switch as shown. (Diagram #9, button B) This button must be activated in order to turn the tanning bed on. This switch can also serve as a termination switch. To terminate a tanning session, simply turn the switch to the "OFF" position.

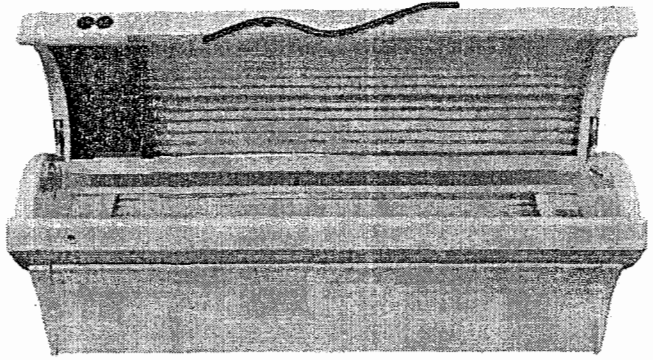
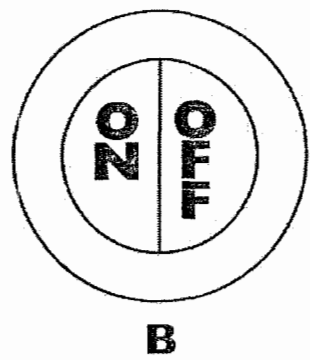
DIAGRAM 8



High Pressure Facial Tanners:

Klassik Series models 732/3 and 726/1 are equipped with high pressure facials. Please refer to (Diagram #8, button A) for operational procedures for your easy access control button to adjust the intensity of the facials to your choosing.

DIAGRAM 9



See Page 13 for the recommended exposure schedule - regulated by the FDA.



Exposure Time

The reaction of the human skin to natural sunlight depends on your skin type. This is also true with regard to tanning with UVA lamps. With this in mind, you must find the exposure time suitable for your skin type. Wear protective eye wear before turning on the unit. Please read the skin chart below.

Skin Type II - This is the individual that usually burns easily and severely, tans minimally or lightly and peels.

Skin Type III - Often referred to as average complexion, burns moderately and tans about average.

Skin Type IV - This individual burns minimally, tans easily and above average.

Skin Type V - This individual's skin rarely burns, tans easily and substantially.

Recommended Exposure Schedule

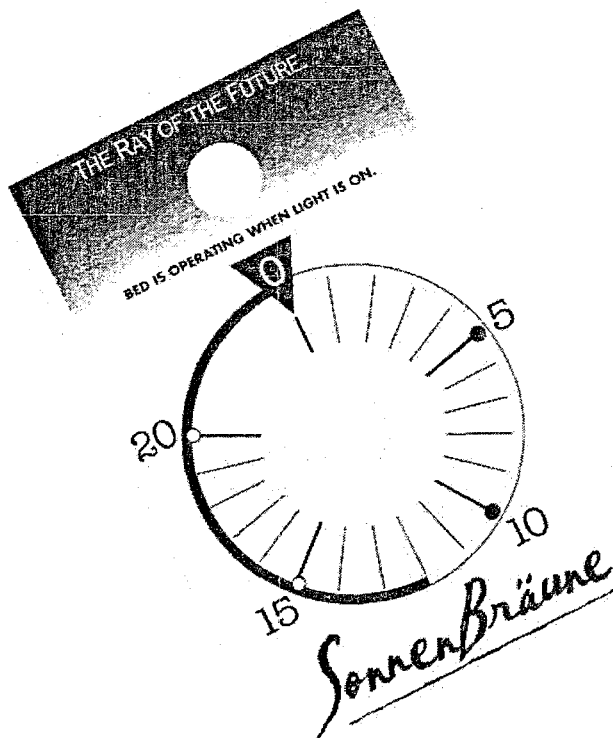
Klassik Series 732/3 • 732 • 726/1 • 726

Skin Type	Week 1 Sessions 1-3	Week 2 Sessions 4-6	Week 3 Sessions 7-10	Week 4 Sessions 11-15	Biweekly Maintenance Sessions
II. Fair	4 Minutes	8 Minutes	12 Minutes	16 Minutes	20 Minutes
III. Medium	4 Minutes	8 Minutes	12 Minutes	16 Minutes	20 Minutes
IV. Dark	4 Minutes	12 Minutes	16 Minutes	20 Minutes	20 Minutes
V. Very Dark	4 Minutes	12 Minutes	16 Minutes	20 Minutes	20 Minutes

**Maximum
use time:
20 minutes**

Warning:

As a consequence of recent studies in the field of electromagnetic currents and fields, it has been determined that tanning beds produce electrical field strengths of more than 5 kV/m, resulting in magnetic field strengths of more than 400µT. These electromagnetic currents and fields may adversely affect the operation of pacemakers. Therefore, we recommend that individuals using pacemakers should avoid tanning bed exposure.





**Exposur
SonnenBräune**



When using your
Series tanning bed:

See Exposure Time Tables on Previous Page.

The skin of the body may vary in thickness, accounting for a different light sensitivity in various parts of the body. The skin around the breast and the buttock areas is usually more sensitive to natural and UVA light exposure than the skin of the other parts of the body. This sensitivity is further enhanced because such skin will normally be covered with clothing and not exposed to natural sunlight. Caution must be exercised when exposing such extremities. Expose those sensitive areas in a series of short term exposures until the skin develops natural protection. The overall exposure times should be reduced or such skin areas should be covered for about half of the preset exposure time.

After a series of 8 to 12 sessions, it will be sufficient to continue irradiations at cycles of 1 to 2 sessions per week. This way, the tanning of the skin may be a long lasting one.

If, in spite of all precautions taken, the symptoms of a sunburn (reddening and a tense sensation of the skin some 3 to 4 hours after the exposure) should be noticed, the irradiation series should be interrupted for a minimum of one full day. The slightly inflamed skin possesses a strongly increased light sensitivity and continued exposure would only intensify these symptoms.

Please note:

If you do not tan under the natural sun, you cannot tan with the SonnenBräune Klassik Series bed.

Adjusting time exposure using new lamps:

During the first 50 to 80 service hours of your new tanning bed's operation, or if you have recently replaced your lamps with approved SonnenBräune replacement lamps, the performance of the lamps are increased about 20% above their normal performance at that time. Therefore, you should reduce the durations specified in the table about 20%.

Example of warning label with exposure table:

DANGER: ULTRAVIOLET RADIATION. FOLLOW INSTRUCTIONS. AVOID OVEREXPOSURE. AS WITH NATURAL SUNLIGHT, OVEREXPOSURE CAN CAUSE EYE AND SKIN INJURY AND ALLERGIC REACTIONS. REPEATED EXPOSURE MAY CAUSE PREMATURE AGING OF THE SKIN AND SKIN CANCER.

WEAR PROTECTIVE EYEWEAR: FAILURE TO MAY RESULT IN SEVERE BURNS OR LONG-TERM INJURY TO THE EYES.

CAUTION! EXPOSURE POSITIONS OTHER THAN SPECIFIED CAN BE HARMFUL AND ARE NOT RECOMMENDED.

It is most dangerous to tan with your eyes closed. In the first application, protecting your skin is a matter of developing a tan. A sunburner may be used after each tanning session.

This system is intended to be used only with the Model System Bed from 21" x 36" or Bed from 18" x 36" x 18" or Bed from 18" x 36" x 36" (SUN-1000).

For parts and service call SonnenBräune, Inc. 4000 N. 1st St. Phoenix, AZ 85018-1531

SonnenBräune tanning equipment is certified with California Product Performance Standard 21-CFR (California).

MEDICATIONS OR COSMETICS MAY INCREASE YOUR SENSITIVITY TO THE ULTRAVIOLET RADIATION. CONSULT YOUR PHYSICIAN BEFORE USING SUNLAMP IF YOU ARE USING MEDICATIONS OR HAVE A HISTORY OF SKIN PROBLEMS OR BELIEVE YOURSELF ESPECIALLY SENSITIVE TO SUNLIGHT. IF YOU DO NOT TAN IN THE SUN, YOU ARE UNLIKELY TO TAN FROM THE USE OF THIS PRODUCT.

THIS DEVICE IS INTENDED TO BE USED BY ONE PERSON AT A TIME. YOU MAY LIE DIRECTLY ON TANNING SURFACE.

The minimum exposure position is 0.5 in. (1.27 cm) from the lamp's surface (preset by the manufacturer). Read the instruction booklet before using this device.

Skin Type II - This is the individual that usually burns easily and severely, tans minimally or lightly and peels.

Skin Type III - Often referred to as average complexion, burns moderately and tans about average.

Skin Type IV - This individual burns minimally, tans easily and above average.

Skin Type V - This individual's skin rarely burns, tans easily and substantially.

Recommended Exposure Schedule

Skin Type	Week 1 Sessions 1-4	Week 2 Sessions 5-8	Week 3 Sessions 9-12	Week 4 Sessions 13-16	Week 5 Sessions 17-20
I. Fair	4 Minutes	8 Minutes	12 Minutes	16 Minutes	20 Minutes
II. Medium	4 Minutes	8 Minutes	12 Minutes	16 Minutes	20 Minutes
III. Dark	4 Minutes	8 Minutes	12 Minutes	16 Minutes	20 Minutes
IV. Very Dark	4 Minutes	8 Minutes	12 Minutes	16 Minutes	20 Minutes

Maximum use time: 20 minutes

You can always refer to warning label with exposure table for any bed located on the tanning bed bench.



Care and maintenance of your SonnenBräune tanning bed:

Your Klassik Series tanning bed will require simple maintenance when necessary to maintain proper operation of the unit. Always ensure that your acrylic shields are clean, otherwise the tanning performance will be reduced. For cleaning, use a soft rag and clean the reflectors, as well as the lamps for dust particles. Do not use alcohol or ammonia based cleaners or any coarse abrasive agents.

- The acrylic shield is a special version with 100% UV remittance ability. If it must be replaced, use only a SonnenBräune certified replacement shield.
- When maintaining operation of the unit, replace only with SonnenBräune certified replacement parts.

Warning –

SonnenBräune will not be responsible for improperly maintained, old or worn out parts or uncertified replacement parts. Only replace with SonnenBräune certified replacement parts.

Disconnect unit from power supply before cleaning or servicing unit.



Cleaning & Replacement of Lamps

All Klassik Series Models - Use only Wolff System Bellarium Plus (SA2-71-100W) or Bellarium S (SA1-71-100W). Facial models use Philips (CLEO-HPA/30 SICV 400W).

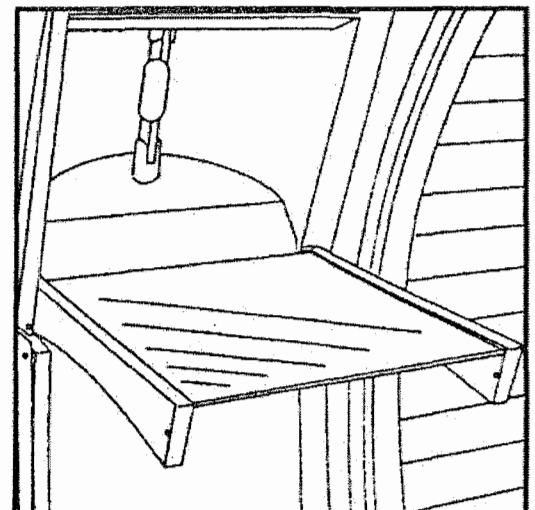
Warning –

SonnenBräune will not be responsible for equipment that has been outfitted without approved SonnenBräune lamps or FDA equivalent.

Replacement of High Pressure Lamps

Change the high pressure lamps only when they are cold. Remove the slide the same as indicated in (Diagram # 10). Lift filter screen, pull lightly on the plastic strip. Push the high pressure lamp into the sprung socket and it will then release. Replace only with recommended type of lamp, Philips Cleo-HPA/30 SICV 400W/500W.

DIAGRAM 10



Important –

Do not touch glass of high pressure lamps with fingers or the glass will have to be cleaned with a special solution.

16 • MAINTENANCE & CLEANING

Cleaning High Pressure Facial Glass

When cleaning the glass in your high pressure facials, refer to page 15 (Diagram #10). Push lightly with the palm of your hand, while turning locks. Now you can lift the glass as shown in diagram. After cleaning, reverse the steps to install.

Cleaning the Canopy Acrylics

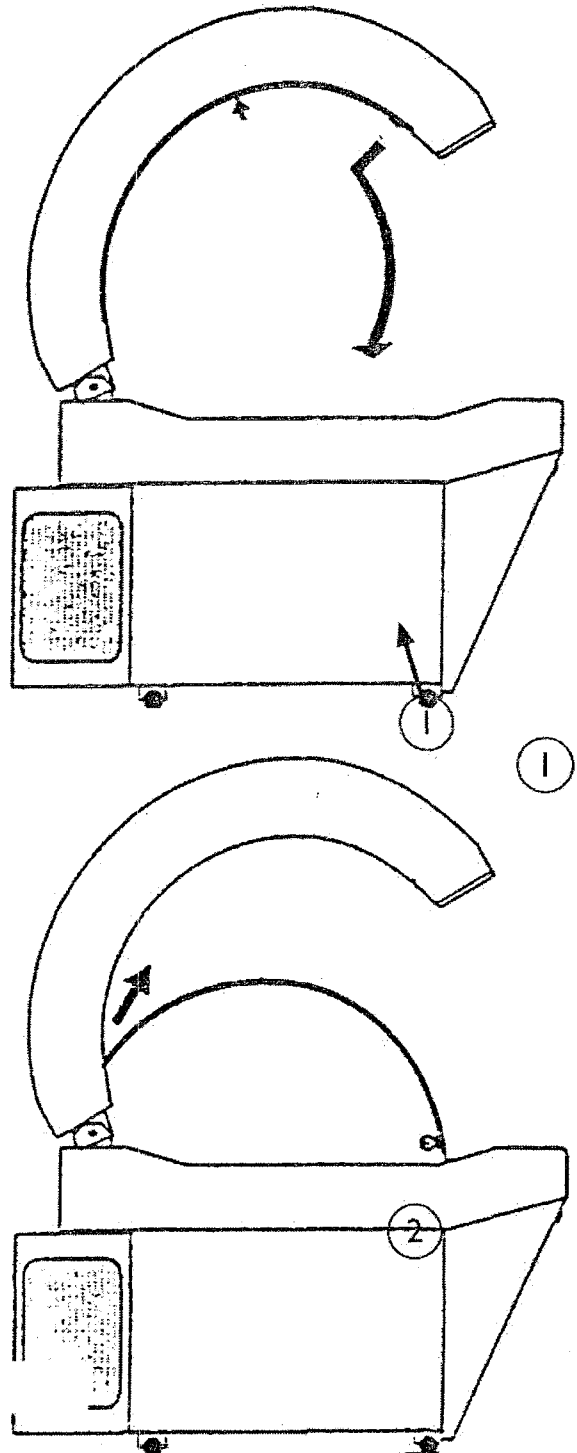
Use a coin to open the three latches, use your hand to push the acrylic lightly so it will not fall on the bench. Remove the acrylic. After cleaning, slide in reverse direction. (Diagram #11)

Cleaning the Bench Acrylics

Open latches with a coin, lift bench acrylic off and stand the front end up. After cleaning the inside, replace and make sure it is inserted in the same slide support rail, push down and turn latch.

All Klassik models come with SonnenBräune's exclusive easy-clean acrylic for simple maintenance.

DIAGRAM 11





Things to check for yourself.

What to do when the unit will not start.

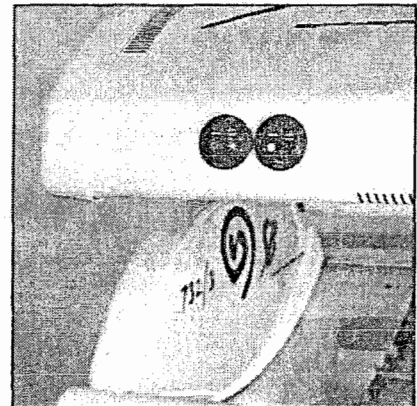
Your SonnenBräune tanning bed has been equipped with certain safety devices that will not allow the unit to operate under certain conditions that may damage your investment. Here is a list of troubleshooting tests in the event your tanning bed will not start.

Important –

All electrical testing and installation of parts must be performed by a certified electrical technician. Your electrician should contact SonnenBräune's Service Department prior to making any adjustments.

All repairs must be performed by a SonnenBräune approved electrical technician. All warranty conditions could be voided if this procedure is not followed.

- Check all safety switches and also check the circuit breaker in your breaker panel to make sure it is on.
- Check the On/Off switch on the unit. Make sure it is on.



What to check when one or several lamps do not burn.

- Turn the power off.
- Remove the acrylic to inspect lamps and connections.
- Check to see if the lamp is properly fitted.
- If it still will not work, replace the defective lamp with a new lamp. If the new lamp lights, it can be assumed that the old lamp is bad.
- If the lamp still doesn't work, contact your SonnenBräune service representative.

What to do when you are not satisfied with your tan.

- Review the exposure schedule on page 13.
- Check the exposure positioning. The distance between the tanning surface and body should be two to four inches. In no event should the exposure position be less than two inches between the body and the tanning surface. However, you may lie directly on the tanning surface of the bench.
- Check your power supply. Refer to page 11, and the section referring to "Electrical Requirements and Connections."
- Review section on "Care and Maintenance" found on page 15. The tanning performance of your tanning bed will be greatly reduced when these procedures are not followed.
- Check the hours on your lamps. They may need replacing.

18 • TANNING & SPECIAL CONDITIONS

Understanding correct exposure and things that affect exposure times:

Example of warning label with exposure table:

DANGER: ULTRAVIOLET RADIATION. FOLLOW INSTRUCTIONS. AVOID OVEREXPOSURE AS WITH NATURAL SUNLIGHT. OVEREXPOSURE CAN CAUSE EYE AND SKIN INJURY AND ALLERGIC REACTIONS. REPEATED EXPOSURE MAY CAUSE PREMATURE AGING OF THE SKIN AND SKIN CANCER.

WEAR PROTECTIVE EYEWEAR: FAILURE TO MAY RESULT IN SEVERE BURNS OR LONG-TERM INJURY TO THE EYES.

CAUTION! EXPOSURE POSITIONS OTHER THAN SPECIFIED CAN BE HARMFUL AND ARE NOT RECOMMENDED.

It is not recommended to use this device with any other tanning bed. The use of this device with any other tanning bed is not recommended. The use of this device with any other tanning bed is not recommended.

This system is intended to be used only with the Vitall System. Belarum 5x 215, 1200W or Belarum 5x 215, 1200W B&B and Multi-Cap. HP 4100-5000000.

For parts and service call SonnenBräune Inc. Heligopol, Ltd. 800-391-6522

SonnenBräune tanning equipment complies with existing product performance standard 21 CFR subchapter J.

MEDICATIONS OR COSMETICS MAY INCREASE YOUR SENSITIVITY TO THE ULTRAVIOLET RADIATION. CONSULT YOUR PHYSICIAN BEFORE USING SUNLAMP IF YOU ARE USING MEDICATIONS OR HAVE A HISTORY OF SKIN PROBLEMS OR BELIEVE YOURSELF ESPECIALLY SENSITIVE TO SUNLIGHT. IF YOU DO NOT TAN IN THE SUN, YOU ARE UNLIKELY TO TAN FROM THE USE OF THIS PRODUCT.

THIS DEVICE IS INTENDED TO BE USED BY ONE PERSON AT A TIME. YOU MAY LIE DIRECTLY ON TANNING SURFACE.

The minimum exposure position is 0.5 in. (1.27 cm) from the lamp's surface (preset by the manufacturer). Read the instruction booklet before using this device.

Recommended Exposure Schedule

Skin Type	Week 1 (Sessions 1-3)	Week 2 (Sessions 4-6)	Week 3 (Sessions 7-9)	Week 4 (Sessions 10-12)	Week 5 (Maintenance Sessions)
II, Fair	4 Minutes	6 Minutes	12 Minutes	16 Minutes	20 Minutes
III, Medium	4 Minutes	8 Minutes	12 Minutes	16 Minutes	20 Minutes
IV, Dark	4 Minutes	12 Minutes	16 Minutes	20 Minutes	20 Minutes
V, Very Dark	4 Minutes	12 Minutes	16 Minutes	20 Minutes	20 Minutes

Maximum use time: 20 minutes

Skin Type II - This is the individual that usually burns easily and severely, tans minimally or lightly and peels.

Skin Type III - Often referred to as average complexion, burns moderately and tans about average.

Skin Type IV - This individual burns minimally, tans easily and above average.

Skin Type V - This individual's skin rarely burns, tans easily and substantially.

This is an example of a warning label located on the bench area that contains all exposure and warning information necessary for operation. Please refer to page 2 for label that directly refers to each bed in the Klassik Series. This label contains an exposure time table to determine tanning time for each individual. Make sure this important safety information is understood before operating any SonnenBräune tanning bed.

Every SonnenBräune tanning bed is factory tested and retested to meet all applicable FDA Regulations. See label shown on page 2 in this book to review a reproduction of the warning label found on each sunbed bench. This label has important safety information relating to the proper operation of this suntanning equipment. Please take a minute and read through this information.

This product is in conformity with performance standards for sunlamp products under No. 21 CFR subchapter J.

Medications which can effect UV rays and cause photosensitive reactions:

- Sulphonamide, sulpham
- Chinolone
- Tetracycline

Examples:

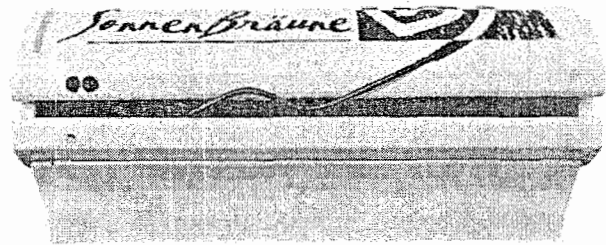
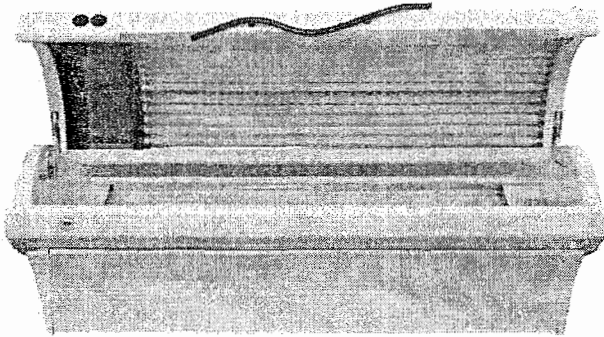
- Products containing tar or coal.
- Products with salicylic acid, used as an analgesic.
- Furocumarine (ammoidin)

At SonnenBräune, we are very proud of our quality equipment and we manufacture the models to be as maintenance free and trouble free as possible. However, in order to maintain the life expectancy and performance of your bed, you will need to do periodic maintenance (refer to page 15). This will also ensure the safety of your user.

20 • BED SPECIFICATIONS



Technical data for Klassik Series Beds



732/3 Klassik Series

Lamps: 32 100W Wolff Bellanum Plus

High Pressure Facial Lamps: 3 500W/400W

Cooling Fans: 7 fans / 115 cubic ft. per minute each, and 1 optional external body fan @ 50 cubic ft. per minute

Wattage: 5390 total watts

Breaker: 30 amp

Ballast: 1,000 milliamp "choke"

Voltage: 220 volts - Must be between 215 - 225 VAC or a buck boost may be required for peak tanning performance.

Wiring: 10 gauge, 3-strand wire (2 hot legs and 1 ground)

Tan Time: 20 minutes

Dimensions: 88 1/4" x 35 1/2"

Weight: 470 lbs.

Construction: Steel

732 Klassik Series

Lamps: 32 Staggered 100W Wolff Bellanum Plus

Cooling Fans: 7 fans / 115 cubic ft. per minute each, and 1 optional external body fan @ 50 cubic ft. per minute

Wattage: 3650 total watts

Breaker: 30 amp

Ballast: 1,000 milliamp "choke"

Voltage: 220 volts - Must be between 215 - 225 VAC or a buck boost may be required for peak tanning performance.

Wiring: 10 gauge, 3-strand wire (2 hot legs and 1 ground)

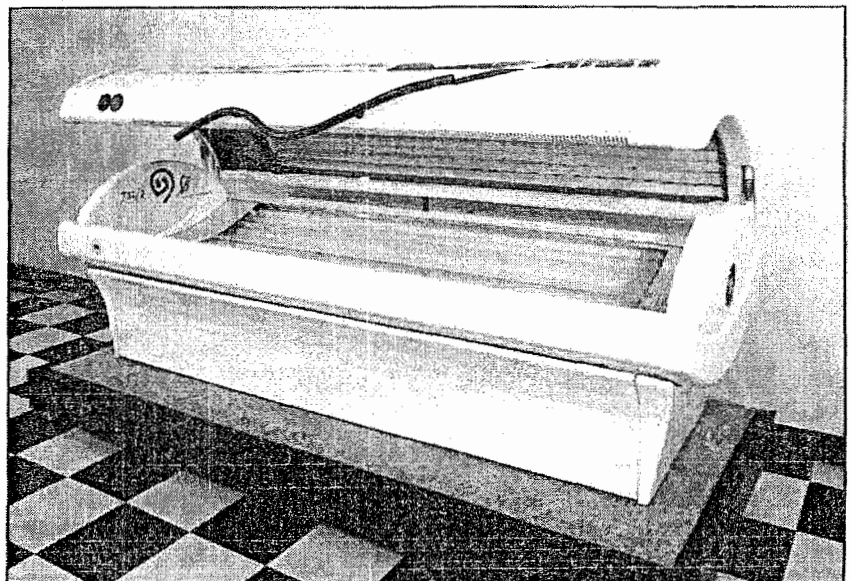
Tan Time: 20 minutes

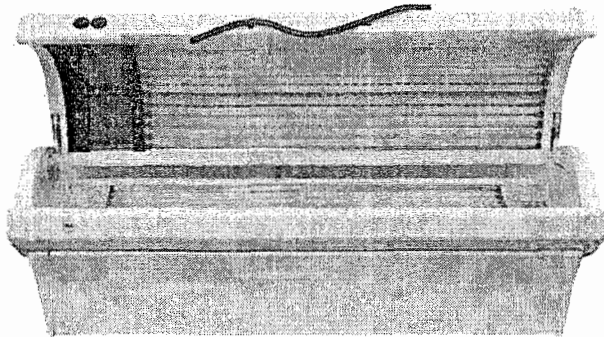
Dimensions: 88 1/4" x 35 1/2"

Weight: 450 lbs.

Construction: Steel

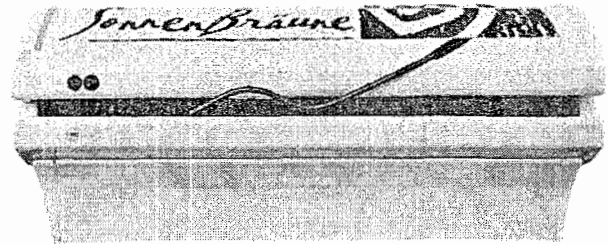
SonnenBräune's Klassik Series tanning beds incorporate an entire array of design features that will not only revolutionize your salon, but make customers come back again and again. Experience the SonnenBräune difference.





726/1 Klassik Series

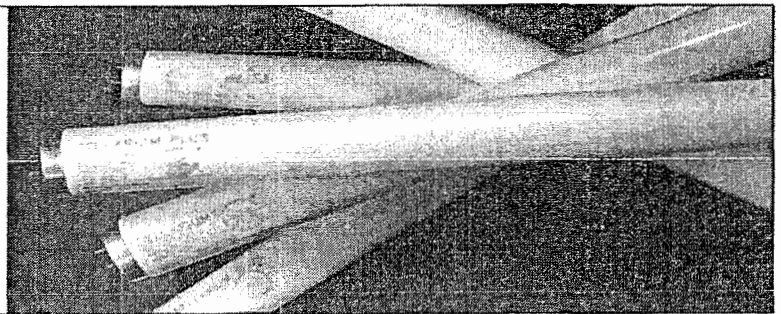
- Lamps:** 26 100W Wolff Bellarium Plus
- High Pressure Facial Lamps:** 1 500W/400W
- Cooling Fans:** 7 fans / 115 cubic ft. per minute each, and 1 optional external body fan @ 50 cubic ft. per minute
- Wattage:** 3550 total watts
- Breaker:** 30 amp
- Ballast:** 1,000 milliamp "choke"
- Voltage:** 220 volts – Must be between 215 - 225 VAC or a buck boost may be required for peak tanning performance.
- Wiring:** 10 gauge, 3 strand wire (2 hot legs and 1 ground)
- Tan Time:** 20 minutes
- Dimensions:** 88 1/4" x 35 1/2"
- Weight:** 454 lbs.
- Construction:** Steel



726 Klassik Series

- Lamps:** 26 100W Wolff Bellarium Plus
- Cooling Fans:** 7 fans / 115 cubic ft. per minute each, and 1 optional external body fan @ 50 cubic ft. per minute
- Wattage:** 2920 total watts
- Breaker:** 30 amp
- Ballast:** 1,000 milliamp "choke"
- Voltage:** 220 volts – Must be between 215 - 225 VAC or a buck boost may be required for peak tanning performance.
- Wiring:** 12 gauge, 3 strand wire (2 hot legs and 1 ground)
- Tan Time:** 20 minutes
- Dimensions:** 88 1/4" x 35 1/2"
- Weight:** 447 lbs.
- Construction:** Steel

Lamps:
 Bellarium Plus SA2-71-100W
 Bellarium S SA1-71-100W
 Philips Ceo-HPA/30 SICV 400W (Facial units only)



nothing else compares...



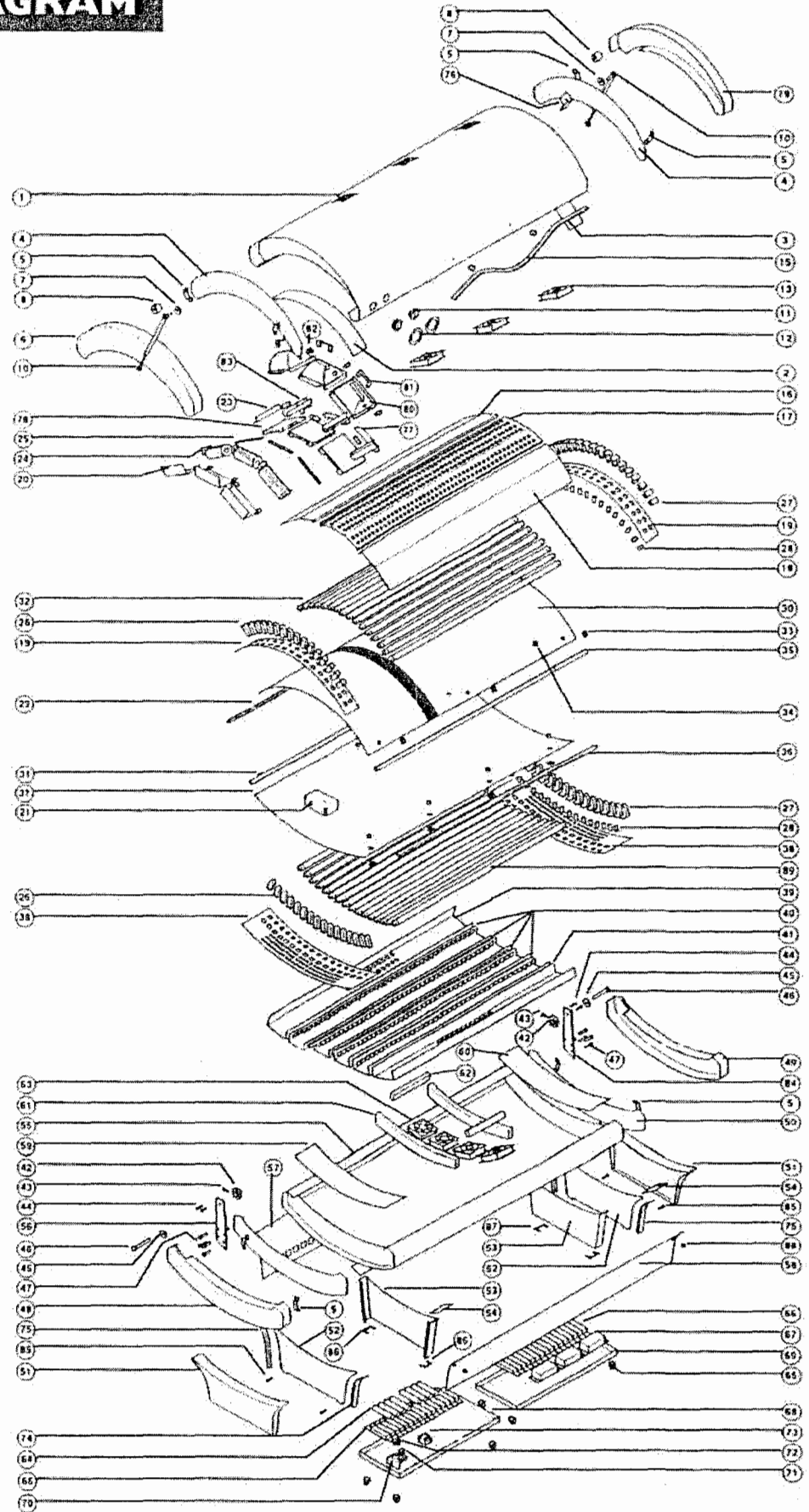
All SonnenBräune Wolff System products are listed by Underwriters Laboratories

22 • PARTS DIAGRAM

DIAGRAM 12

SonnenBräune's Klassik Series incorporates a comprehensive program for service to keep your bed up and running with as little down time as possible. The schematic to the left is an explosion of the Klassik Series bed to help you better pinpoint parts for reorder. Please refer to the list on the next page when calling your distributor or SonnenBräune's service center.

By referring to parts as they are named and numbered on the list, we can process your order quicker for shipment.



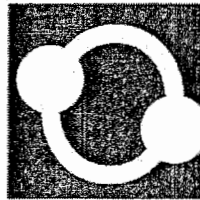
PARTS IDENTIFICATION & REORDER LIST • 23

REFERENCE #	PART #	PART NAME	REFERENCE #	PART #	PART NAME
1	144359005	CANOPY	64	1023	CAPACITOR
2	144359012	METAL DECK PLATE - CANOPY	65	NO#	CASTER
3	144359011	METAL DECK PLATE - CANOPY	66	2188	BALLAST, 100W
4	144359006	METAL END PLATE - CANOPY	67	11097	BALLAST, 500/400/300W - FACIAL
5	143265023	METAL MOUNT FOR END CAP	68	143268017	LEGS FOR BALLAST TRAY
6	144359001	END CAP, CANOPY - LEFT	69	143265026	BALLAST TRAY SHEET
7	144359033	PISTON MOUNTING WASHER	70	143197097	MNT. BRACKET, HOUR METER
8	144359032	PISTON MOUNTING DISK	71	NO#	SWITCH FOR BALLAST TRAY
10	850N	PISTON 850N	72	NO#	HOUR METER
11		ON/OFF SWITCH	73	1014	CONTACTOR
12		SWITCH FRAME	74	143266009	FACADE MOUNTING PLATE
13	8460B	BOX FAN, 230 VOLT	75	143266010	FACADE MOUNTING PLATE
14	144359034	SPACER FOR HANDLE	76	144359037	PISTON BRACE
15	144359029	HANDLE	77	144354038	FACIAL BUCKET BRIDGE - FRONT
16	144359020	REFLECTOR, CANOPY - BACK	78	NO#	FACIAL MOUNTING KIT
17	144359019	REFLECTOR, CANOPY	79	144359002	END CAP, CANOPY - RIGHT
18	144359018	REFLECTOR, CANOPY - FRONT	80	NO#	FACIAL REFLECTOR BUCKET
19	144359010	LAMP BRIDGE, CANOPY	81	NO#	LIGHT, DOUBLE FRAME
20	1443590329	FAN MOUNT	82	4202	IGNITOR, 100-400W
21	207	HEAD CUSION	83	144359035	FACIAL BUCKET BRIDGE - MIDDLE
22	F4W	LAMP, FACIAL - 100W - 400W	84	144359021	HINGE ARM - RIGHT
23		FACIAL BUCKET BRIDGE, BACK	85	NO#	SCREW
24		FACIAL FAN, BACK	86	NO#	PROTECTIVE PAD FOR LEG
25		PROTECTIVE PROFILE	88	NO#	FLATHEAD MOUNTING SCREW
26	12888	LAMP SOCKET W/O STARTER	89	NO#	LAMP
27	12889	LAMP SOCKET WITH STARTER			
28	SBK12	STARTER, K12			
29	144284022	PROFILE FASTENING			
30	144359017	ACRYLIC SHIELD, CANOPY			
31	1443269009	ACRYLIC HINGE, BENCH			
32		LAMP			
33	144282037	ACRYLIC CAM LOCK			
34	144307057	ACRYLIC CAM LOCK SCREW			
35	143252018	ACRYLIC RETAINING STRIP			
36		PROFILE FOR CHAULKING			
37	732BA	ACRYLIC SHIELD, BENCH			
38	143265013	LAMP BRIDGE, BENCH - FOOT			
39	144363017	REFLECTOR, BENCH - BACK			
40	1443265015	REFLECTOR, BENCH - MIDDLE			
41	143265014	REFLECTOR, BENCH - FRONT			
42	144320014	BRAKE, WHITE			
43		SCREW,			
44		SCREW			
45		WASHER			
46		PISTON MOUNTING BOLT			
47		SCREW			
48	143265001	END CAP, BENCH - FOOT			
49	143265002	END CAP, BENCH - FOOT			
50	143265008	END PLATE, BENCH - FOOT			
51	143266001	LEG END CAP, LEFT			
52	143266004	LEG, OUTER			
53	143266005	LEG, INNER			
54	143266006	LEG REINFORCEMENT PLATE			
55	143265018	BENCH SHELL			
56	144359022	HINGE ARM - LEFT			
57	143266012	FACADE, BACK			
58	143266013	FACADE, FRONT			
59	143265012	METAL DECK PLATE, BENCH			
60	143269003	METAL DECK PLATE, BENCH			
61	143262006	BENCH REFLECTOR SUPPORT			
62		AIR FLOW DIRECTOR			
63	8460B	BOX FAN			

Refer to illustration on previous page to visually identify the part you need to replace or repair.

SonnenBräune

 THE RAY OF THE FUTURE.

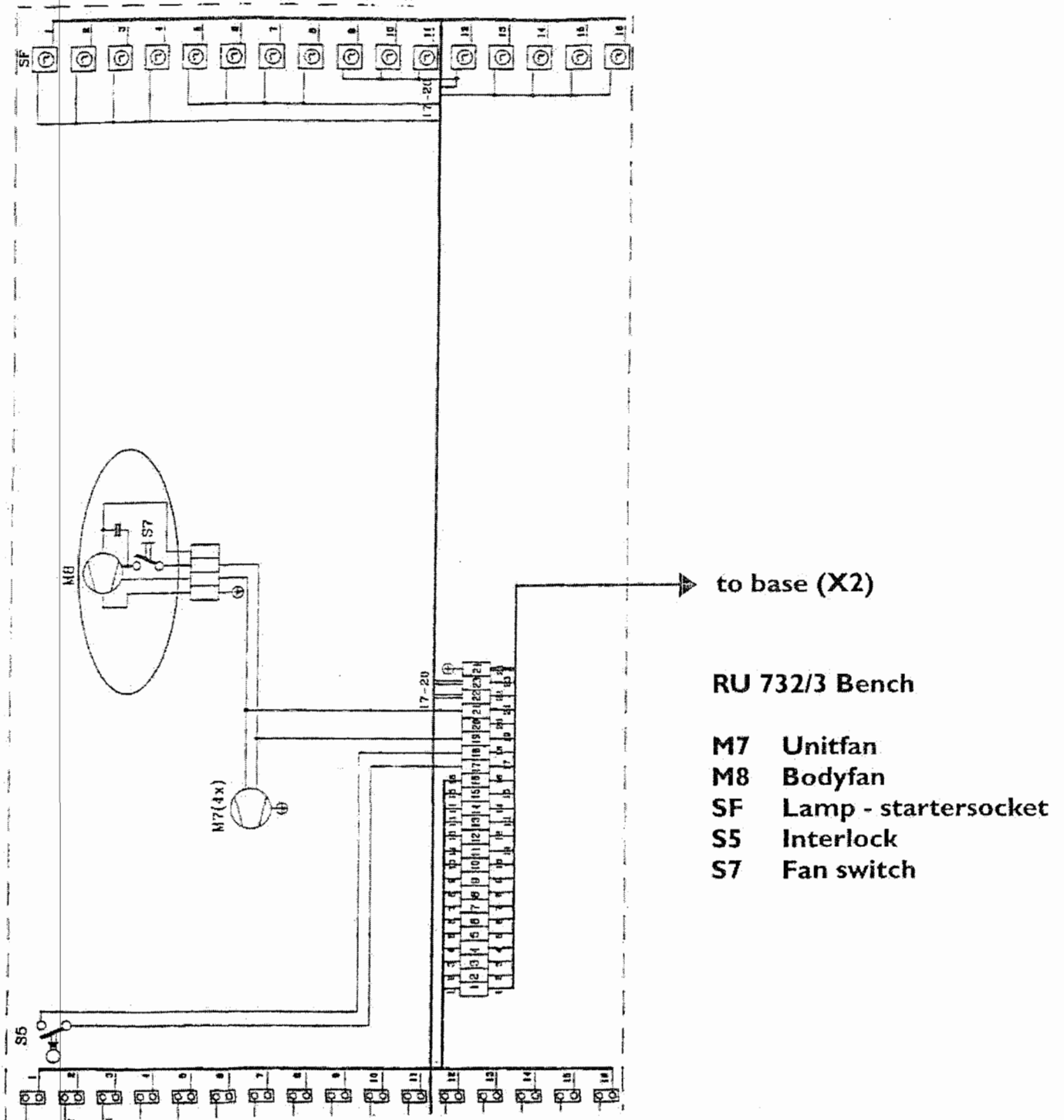


The following pages are wiring diagrams that pertain to each bed in the **Klassik Series** produced by **SonnenBräune**. These are meant to be a resource when needed for technical repair. These diagrams are subject to change without notice, nor is notification to previous owners the responsibility of **SonnenBräune**.

DO NOT ATTEMPT TO REPAIR your **SonnenBräune** bed without first notifying your distributor or the **SonnenBräune Service Center** so an evaluation of electrical service may be determined. Provide these diagrams to the certified technician if necessary.



732/3 KLASSIK SERIES - Bench Wiring Diagram



BENCH

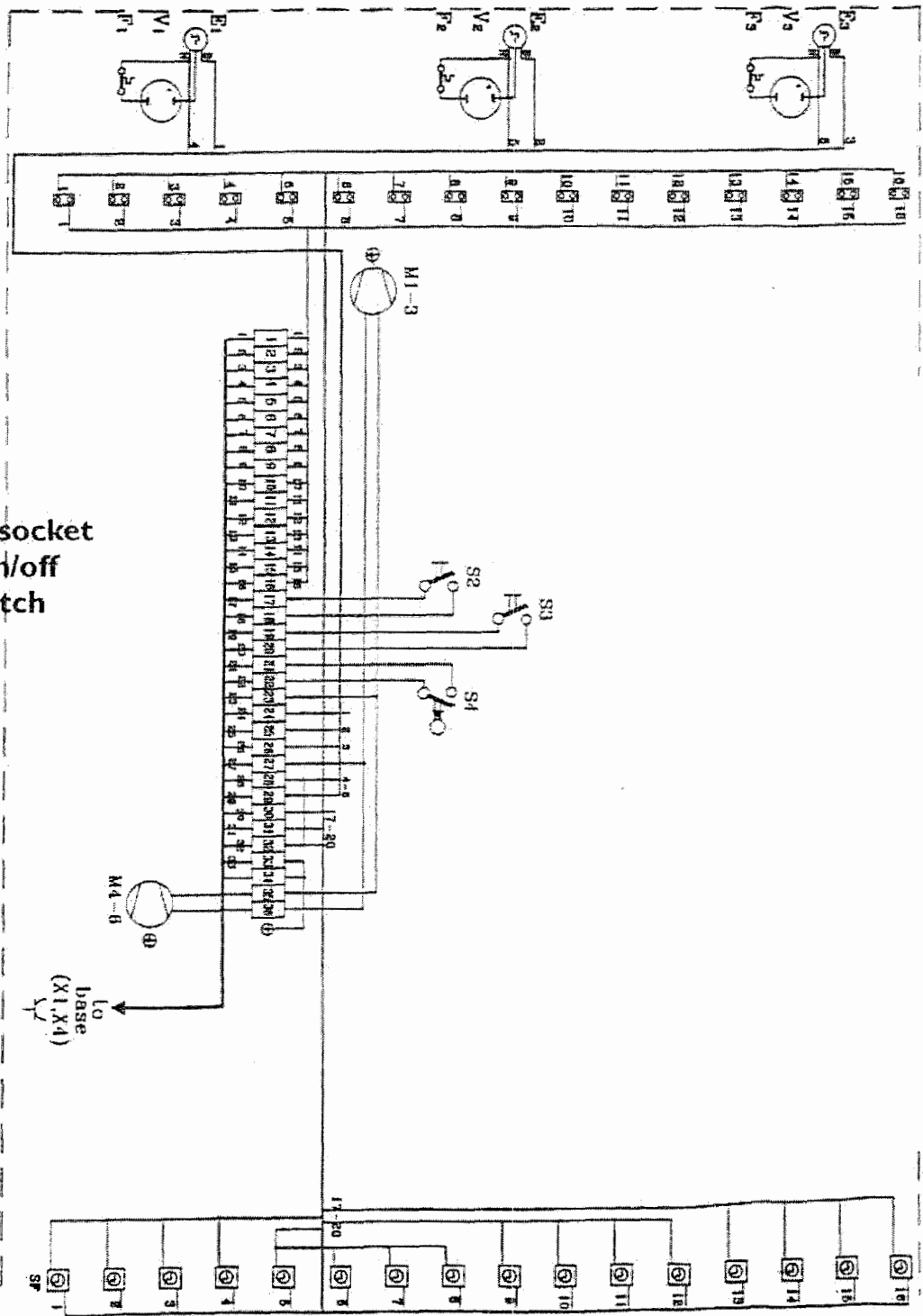
26 • WIRING ASSEMBLY - 732/3 KLASSIK



732/3 KLASSIK SERIES - Canopy Wiring

RU 732/3 Canopy

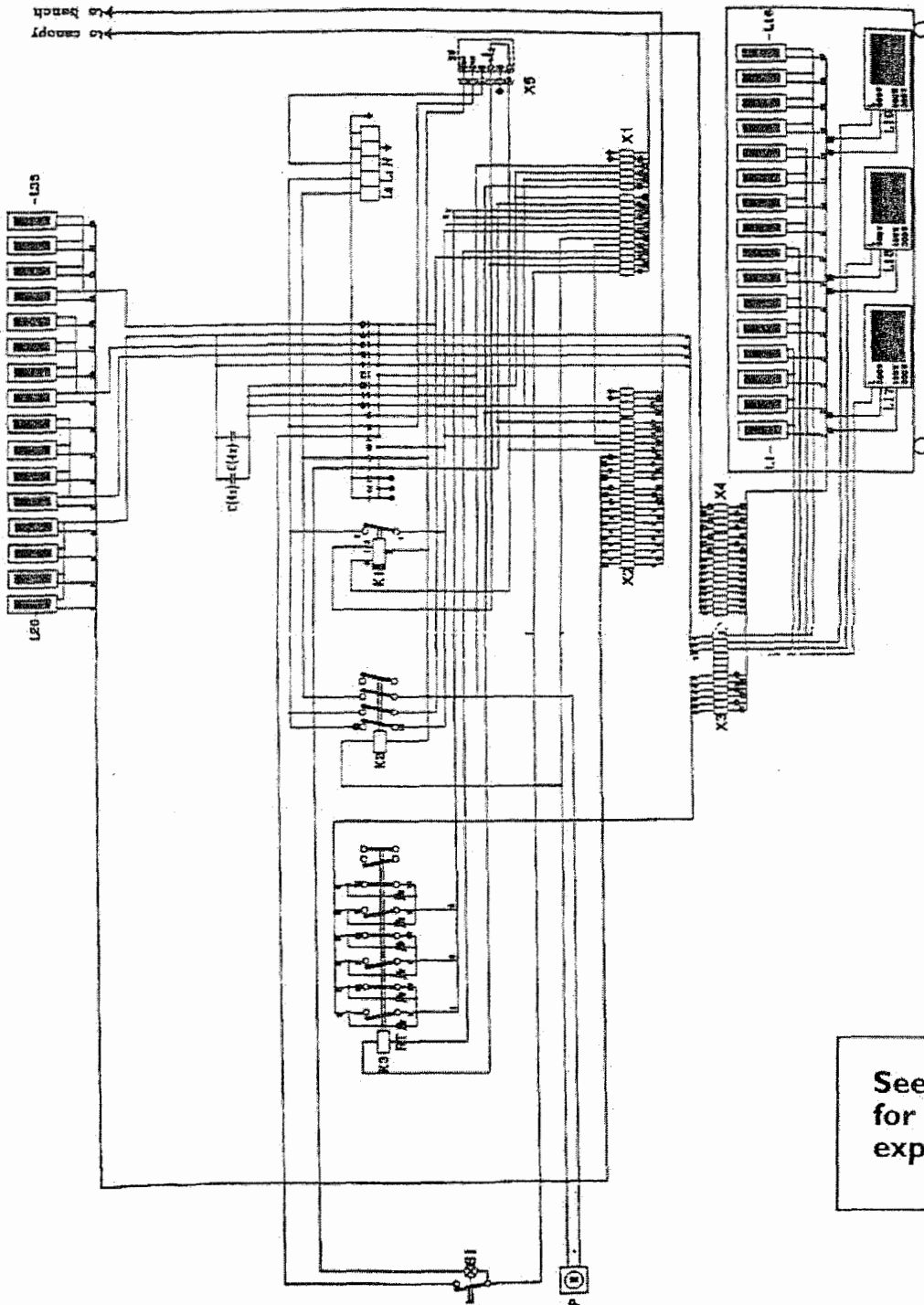
- E Ignition
- F Thermostat
- MI-6 Unitfan
- SF Lamps - startersocket
- S2 Switch lamps on/off
- S3 Face tanner switch
- S3 Interlock
- V Face tanner



CANOPY



732/3 KLASSIK SERIES - Explanations



See next page
for listing of
explanations.

EXPLANATIONS



732/3 KLASSIK SERIES - Explanations

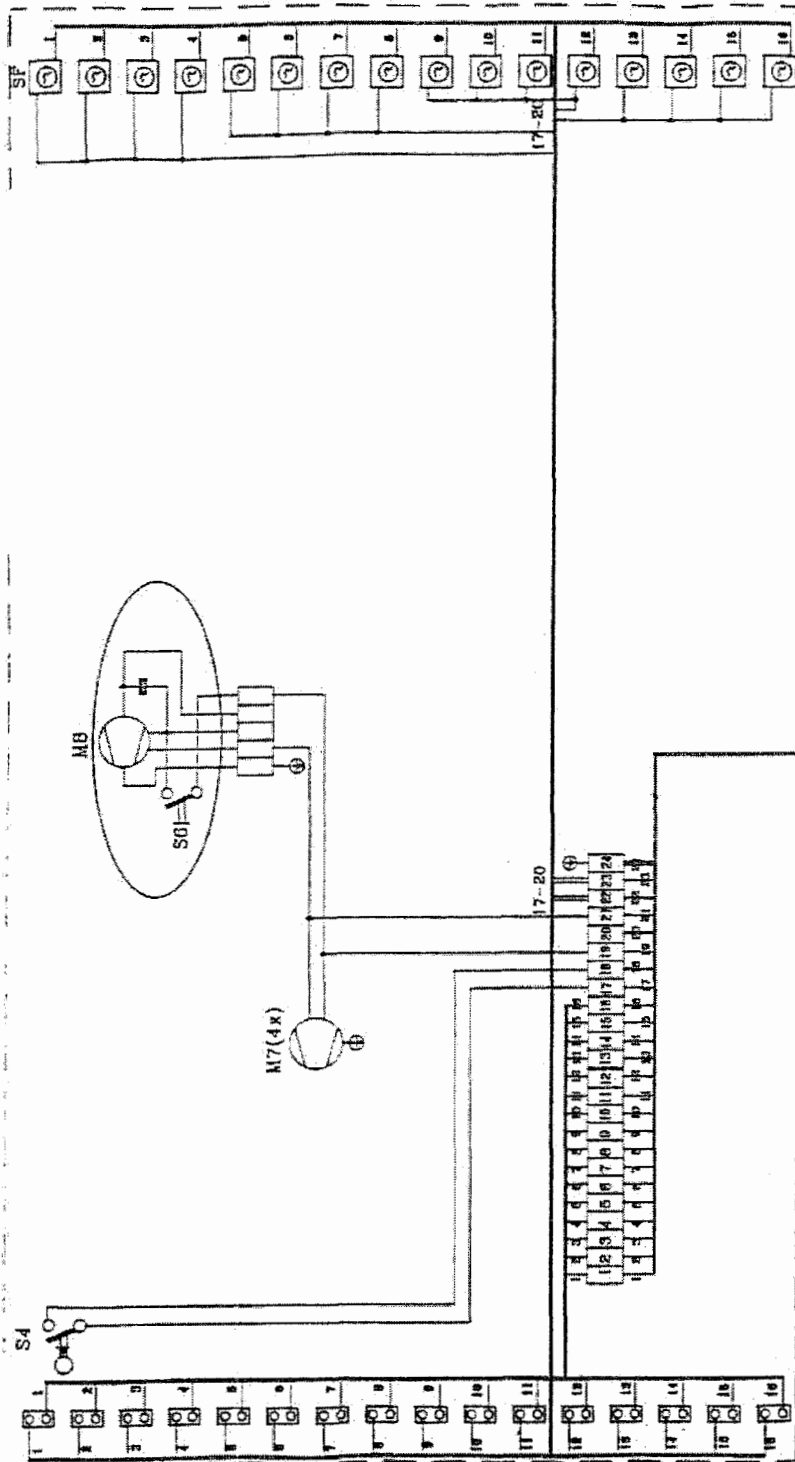
Explanations RU 732/3

- C** Capacitor
- E** Ignition
- F** Thermostat
- K1** Relay for fan time
- K2** Main relay
- K3** Relay for face tanner
- L1-16** Ballasts 100W (Canopy)
- L17-19** Ballasts 300 - 500W
- L120-35** Ballasts 100W (Bench)
- M1-6** Unit fans (Canopy)
- M7** Unit fans (Bench)
- M8** Body fan (Bench)
- P** Hour meter
- RT** Special resistor
- S1** Main switch
- S2** Switch On/Off
- S3** Switch for face tanner
- S4,5** Interlock
- S6** Tokentimer
- S7** Fan switch (Bench)
- SF** Lamp / Startersockets
- X1,4** Socket for base - canopy
- X2** Socket for base - bench
- X3** Socket for base - ballasts (canopy)
- X5** Socket for token timer connection
- V** Face tanner

LISTING



732 KLASSIK SERIES - Bench Wiring Diagram



RU 732 Bench

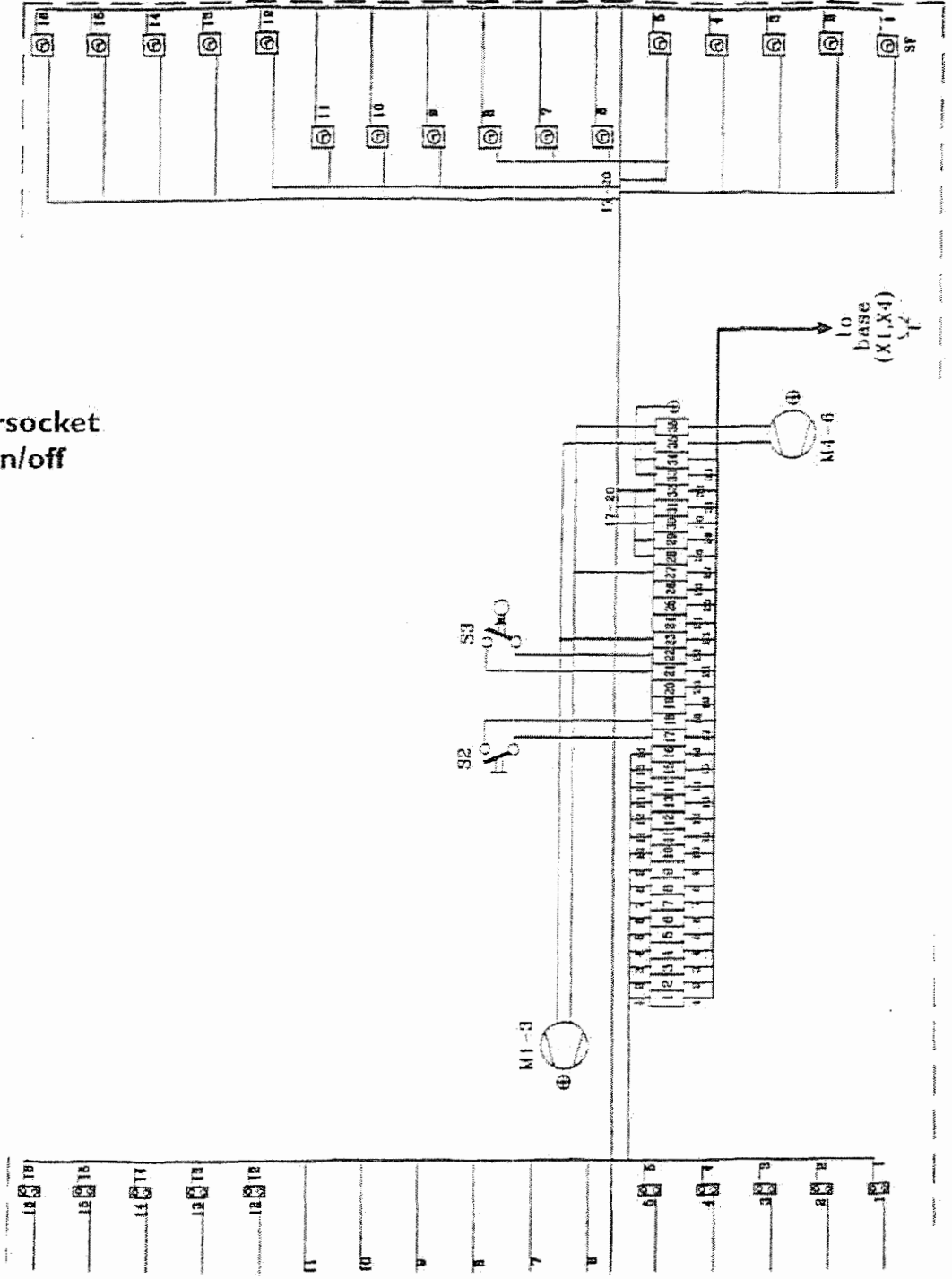
- M7** Unitfan
- M58** Bodyfan
- SF** Lamp - startersocket
- S4** Interlock
- S6** Fan switch

BENCH

30 • WIRING ASSEMBLY - 732 KLASSIK



732 KLASSIK SERIES - Canopy Wiring Diagram



RU 732 Canopy

M1-6 Unitfan

SF Lamps - startersocket

S2 Switch lamps on/off

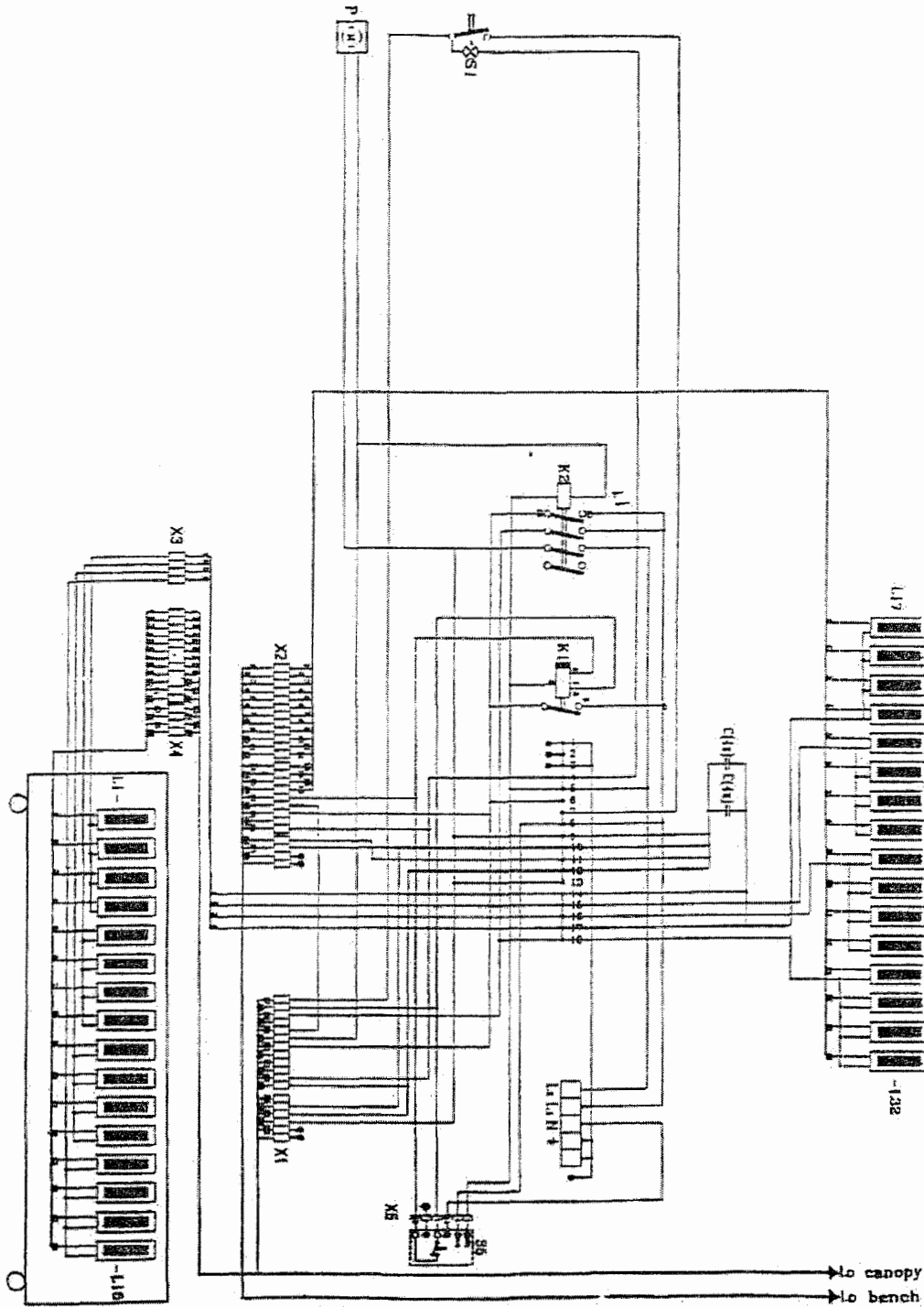
S3 Interlock

CANOPY



732 KLASSIK SERIES - Explanations Diagram

See next page
for listing of
explanations.



EXPLANATIONS



732 KLASSIK SERIES - Explanations Listing

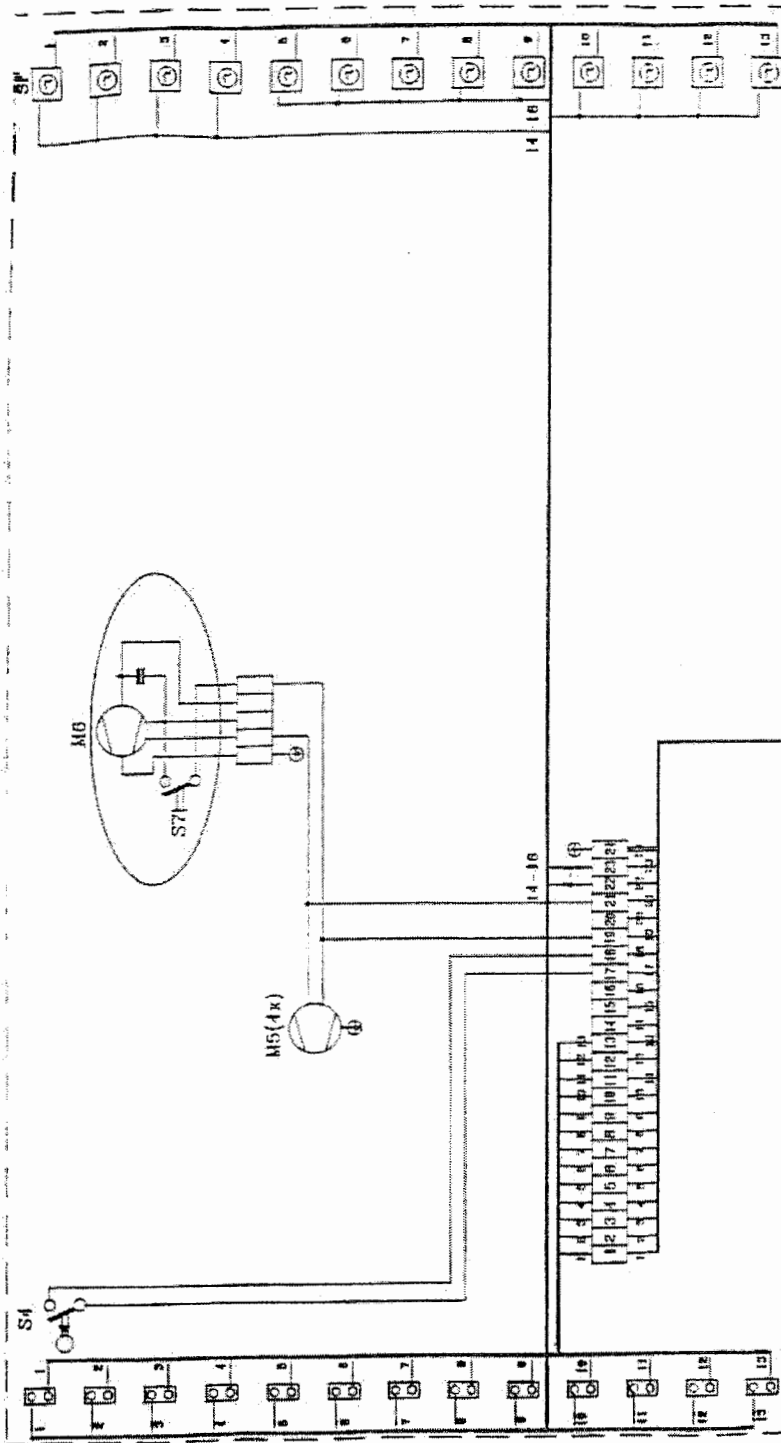
Explanations RU 732

- C** Capacitor
- K1** Relay for fan time
- K2** Main relay
- L1-16** Ballasts 100W (Canopy)
- L17 - 32** Ballasts 100W (Bench)
- M1-6** Unit fans (Canopy)
- M7** Unit fans (Bench)
- M8** Body fan (Bench)
- P** Hour meter
- S1** Main switch
- S2** Switch On/Off
- S3,4** Interlock
- S5** Tokentimer
- S6** Fan switch (Bench)
- SF** Lamp / Startersockets
- X1,4** Socket for base - canopy
- X2** Socket for base - bench
- X3** Socket for base - ballasts (canopy)
- X5** Socket for token timer connection

LISTING



726/I KLASSIK SERIES - Bench Wiring Diagram



to base (X2)

RU 726/I Bench

- M5** Unitfan
- M6** Bodyfan
- SF** Lamp - startersocket
- S4** Interlock
- S6** Fan switch

BENCH

34 • WIRING ASSEMBLY - 726/I KLASSIK

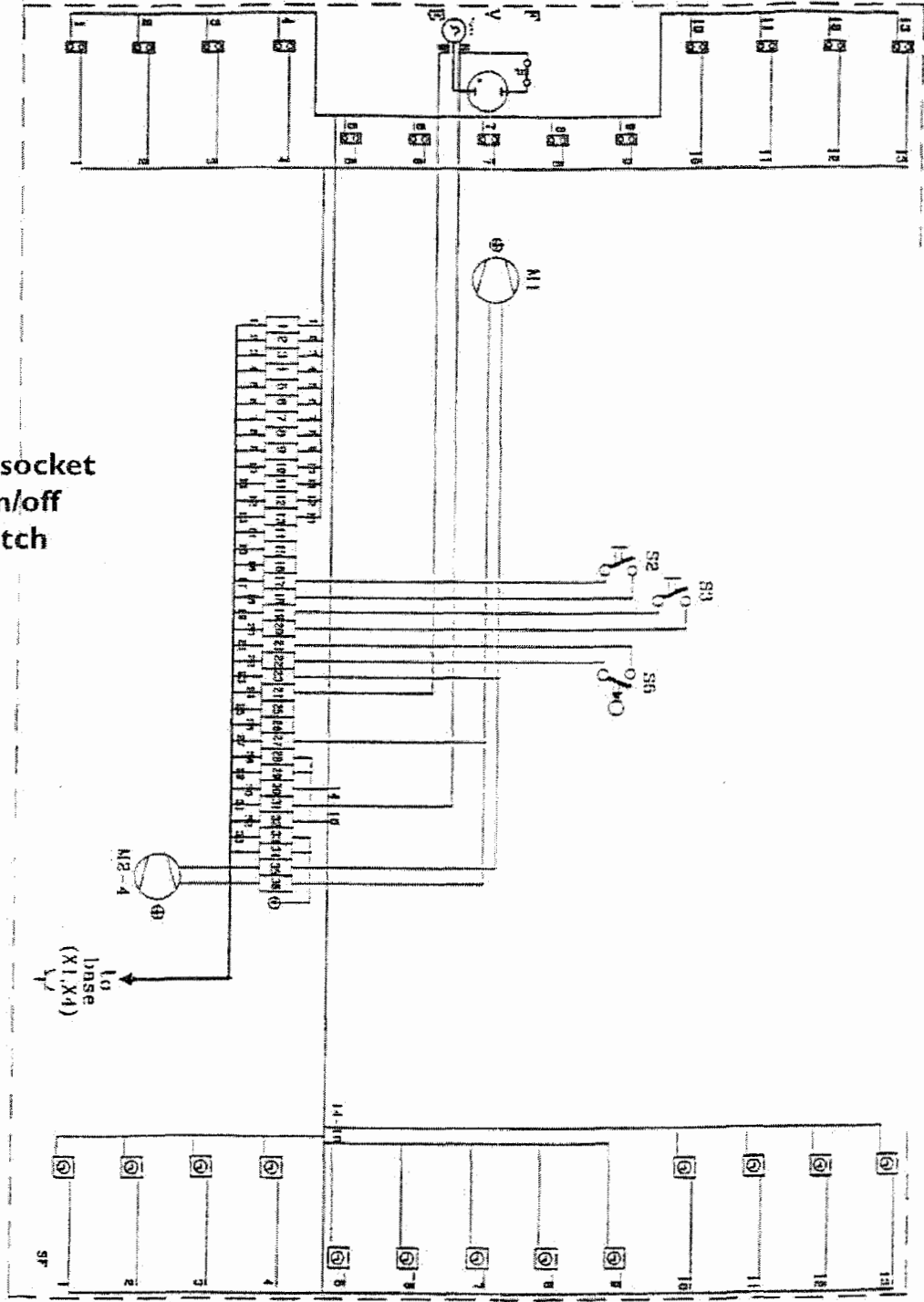


726/I KLASSIK SERIES - Canopy Wiring Diagram

RU 726/I Canopy

MI-6 Unitfan

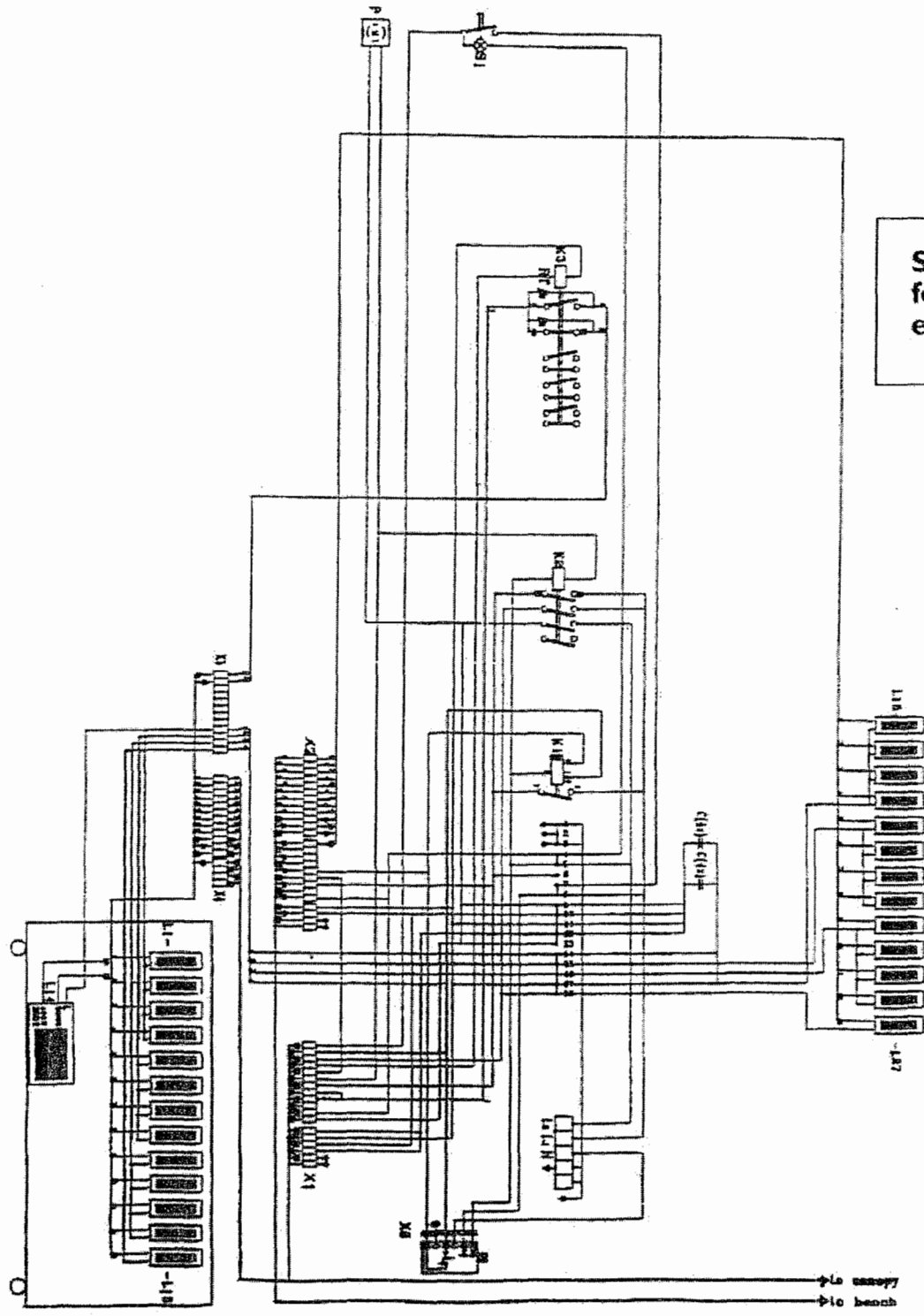
- SF Lamps - startersocket
- S2 Switch lamps on/off
- S3 Face tanner switch
- S3 Interlock



CANOPY



726/I KLASSIK SERIES - Explanations Diagram



See next page
for listing of
explanations.

EXPLANATIONS



726/I KLASSIK SERIES - Explanations Listing

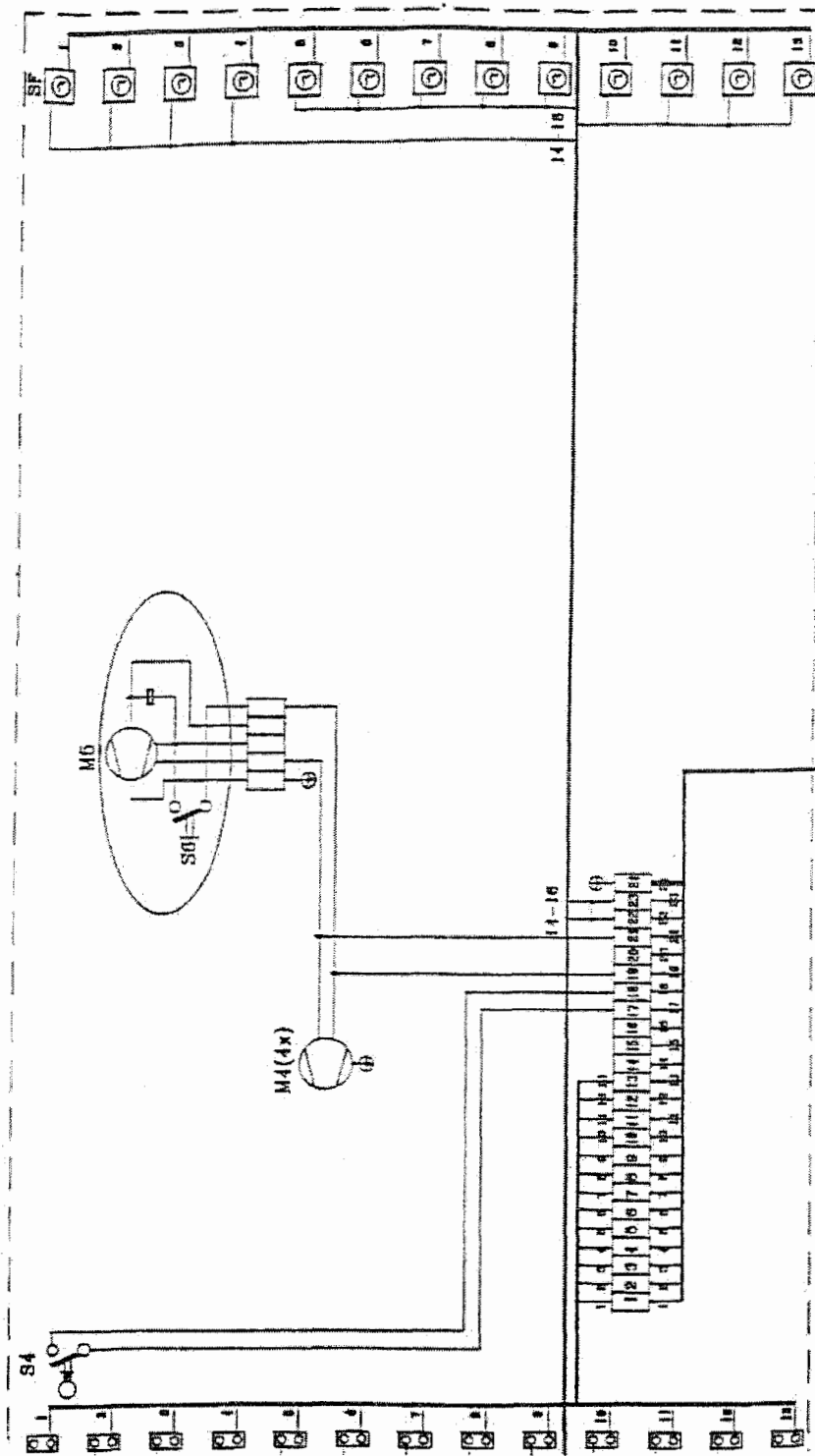
Explanations RU 726/I

- C** Capacitor
- E** Ignition
- F** Thermostat
- K1** Relay for fan time
- K2** Main relay
- K3** Relay for face tanner
- L1-13** Ballasts 100W (Canopy)
- L14** Ballasts 300 - 500W
- L15 - 27** Ballasts 100W (Bench)
- M1-4** Unit fans (Canopy)
- M5** Unit fans (Bench)
- M6** Body fan (Bench)
- P** Hour meter
- RT** Special resistor
- S1** Main switch
- S2** Switch On/Off
- S3** Switch for face tanner
- S4,5** Interlock
- S6** Tokentimer
- S7** Fan switch (Bench)
- SF** Lamp / Startersockets
- X1,4** Socket for base - canopy
- X2** Socket for base - bench
- X3** Socket for base - ballasts (canopy)
- X5** Socket for token timer connection
- V** Face tanner

LISTING



726 KLASSIK SERIES - Bench Wiring Diagram



to base (X2)

RRU 726 Bench

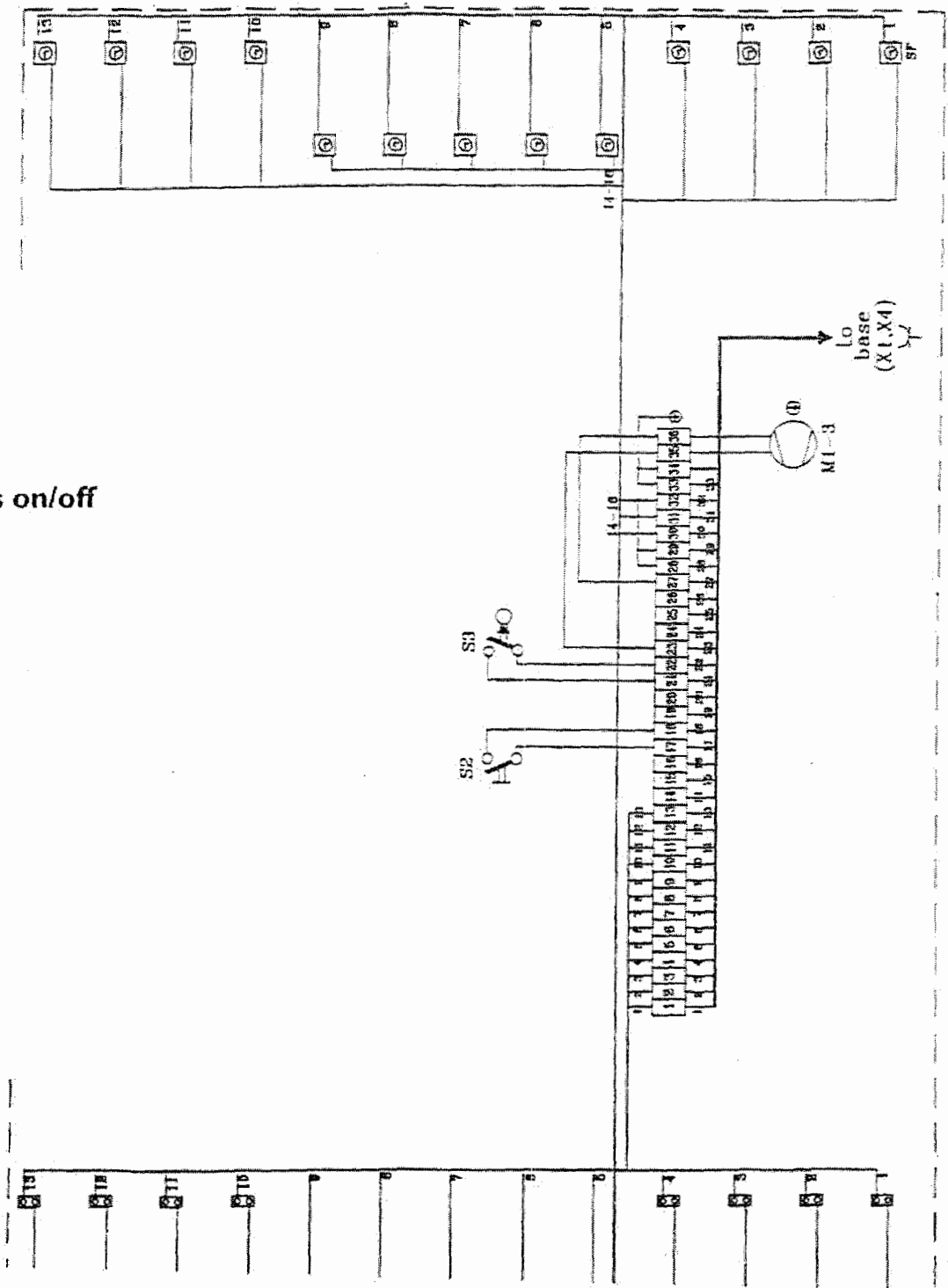
- M4** Unitfan
- M5** Bodyfan
- SF** Lamp - startersocket
- S4** Interlock
- S6** Fan switch

BENCH

38 • WIRING ASSEMBLY - 726 KLASSIK



726 KLASSIK SERIES - Canopy Wiring Diagram



U 726 Canopy

MI-3 Unitfan

SF Lamps

S2 Switch lamps on/off

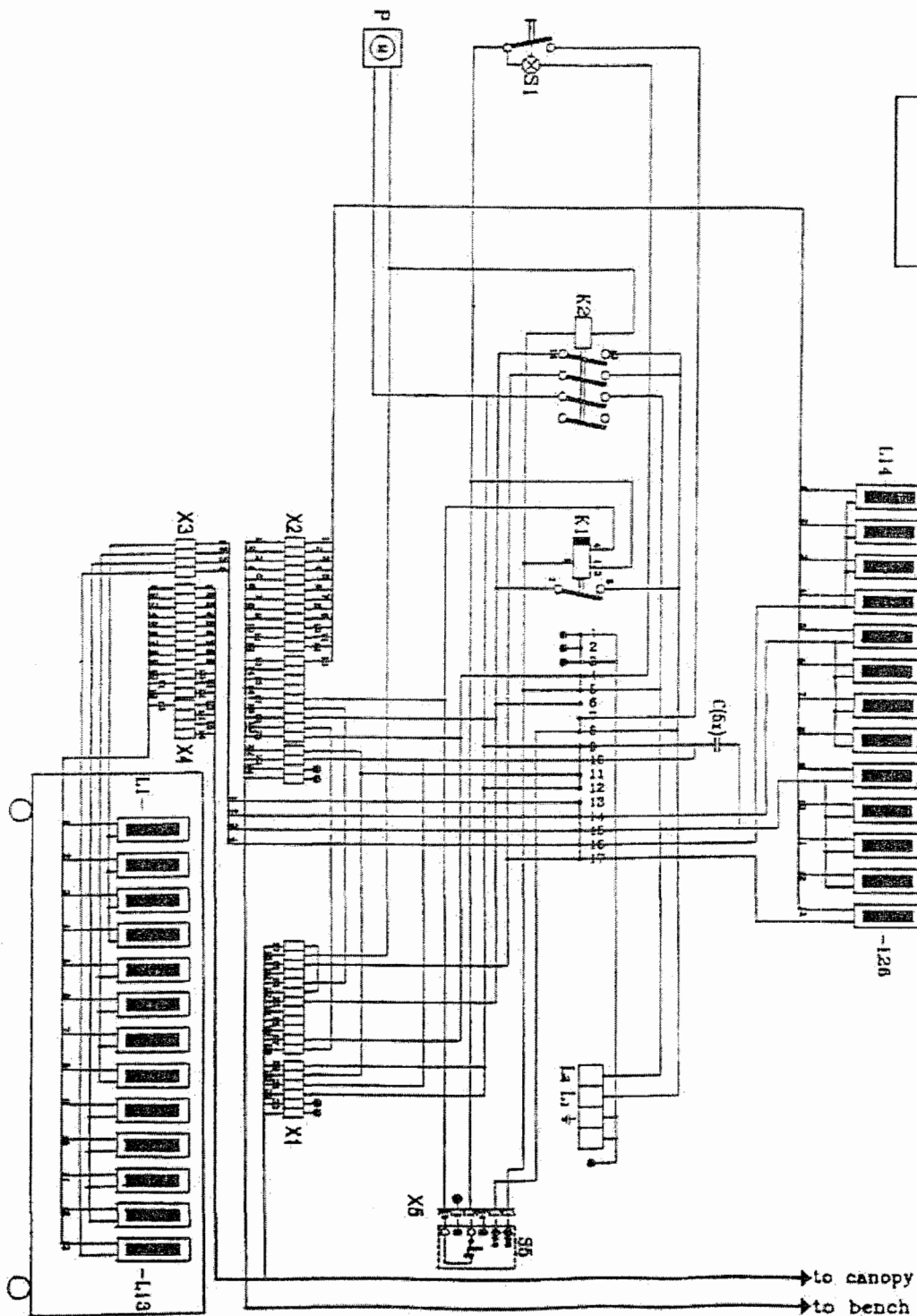
S3 Interlock

CANOPY



726 KLASSIK SERIES - Explanations Diagram

See next page
for listing of
explanations.



EXPLANATIONS



726 KLASSIK SERIES - Explanations Listing

Explanations RU 726

- C Capacitor
- K1 Relay for fan time
- K2 Main relay
- L1-13 Ballasts 100W (Canopy)
- L14 - 26 Ballasts 100W (Bench)
- M1-6 Unit fans (Canopy)
- M7 Unit fans (Bench)
- M8 Body fan (Bench)
- P Hour meter
- S1 Main switch
- S2 Switch On/Off
- S3,4 Interlock
- S5 Tokentimer
- S6 Fan switch (Bench)
- SF Lamp / Startersockets
- X1,4 Socket for base - canopy
- X2 Socket for base - bench
- X3 Socket for base - ballasts (canopy)
- X5 Socket for token timer connection

LISTING

SonnenBräune[®]