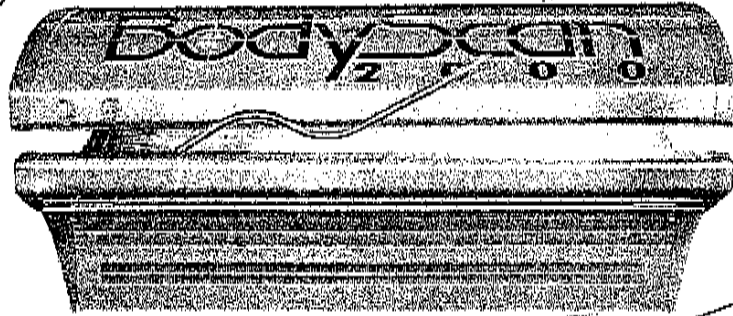


ASSEMBLY & OPERATING MANUAL

# BodyScan 3200/3 Klassik Series

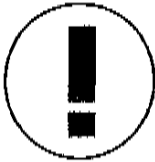


*BodyScan 3200*

*SonnenBräune*

SonnenBräune, Inc.  
6362 Battlefield Parkway  
Ringgold, Georgia 30736 USA  
800-829-6533  
[www.sonnenbraune.com](http://www.sonnenbraune.com)





> WARNING LABEL - PLEASE READ

Located on tanning bed canopy -  
Please read important safety information  
relating to the proper operation of this  
equipment.

**3200/3 15 MIN.**

**DANGER:** ULTRAVIOLET RADIATION. FOLLOW INSTRUCTIONS. AVOID OVER EXPOSURE. AS WITH  
NATURAL SUNLIGHT, OVER EXPOSURE CAN CAUSE EYE AND SKIN INJURY AND ALLERGIC REACTION.  
REPEATED EXPOSURE MAY CAUSE PREMATURE AGING OF THE SKIN AND SKIN CANCER.

**WEAR PROTECTIVE EYEWEAR; FAILURE TO MAY  
RESULT IN SEVERE BURNS OR LONG-TERM INJURY  
TO THE EYES**

**CAUTION! EXPOSURE  
POSITIONS OTHER  
THAN SPECIFIED CAN  
BE HARMFUL AND ARE  
NOT RECOMMENDED**

THIS PRODUCT IS IN CONFORMANCE WITH PER-  
FORMANCE STANDARDS FOR SUN LAMP PRO-  
DUCTS UNDER NO. 21 CFR SUBCHAPTER J.

MEDICATION OR COSMETICS MAY INCREASE YOUR  
SENSITIVITY TO THE ULTRAVIOLET RADIATION.  
CONSULT PHYSICIAN BEFORE USING SUNLAMP IF  
YOU ARE USING MEDICATIONS OR HAVE A HISTORY  
OF SKIN PROBLEMS OR BELIEVE YOURSELF  
ESPECIALLY SENSITIVE TO SUN LIGHT. IF YOU DO  
NOT TAN IN THE SUN, YOU ARE UNLIKELY TO TAN  
FROM THE USE OF THIS PRODUCT.

SKIN TYPE	RECOMMENDED EXPOSURE SCHEDULE:				BI-WEEKLY MAINTENANCE SESSIONS
	WEEK 1 SESSIONS 1-3	WEEK 2 SESSIONS 4-4	WEEK 3 SESSIONS 7-10	WEEK 4 SESSIONS 11-15	
II FAIR	3 MIN.	4 MIN.	8 MIN.	10 MIN.	12 MIN.
III MEDIUM	3 MIN.	6 MIN.	8 MIN.	10 MIN.	12 MIN.
IV DARK	3 MIN.	8 MIN.	10 MIN.	15 MIN.	15 MIN.
V VERY DARK	3 MIN.	8 MIN.	10 MIN.	15 MIN.	15 MIN.

MAXIMUM USE TIME: 15 MINUTES  
IN MOST CASES, TANNING WILL APPEAR WITHIN SIX HOURS OF THE FIRST APPLICATION. PROVIDED YOUR  
SKIN IS CAPABLE OF DEVELOPING A TAN, A MAXIMUM OF THREE MAYBE USED AFTER EACH TANNING SESSION.  
THIS SYSTEM IS INTENDED TO BE USED ONLY WITH THE COSMOLUX VLR 18810M100W  
AND PHILIPS CLEO HPA200 BY 200W.

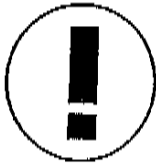
THIS DEVICE IS INTENDED TO BE USED BY ONE  
PERSON AT A TIME. YOU MAY LIE DIRECTLY ON  
TANNING SURFACE.

THE MINIMUM EXPOSURE POSITION IS 0.4 IN. (1.27 CM)  
FROM THE LAMP'S SURFACE (PRESENT BY THE  
MANUFACTURER). READ THE INSTRUCTION  
BOOKLET BEFORE USING THIS DEVICE.

SKIN TYPE I - THIS IS THE INDIVIDUAL THAT USUALLY  
BURNS EASILY AND SEVERELY, TANS MINIMALLY OR  
LIGHTLY AND PEELS.  
SKIN TYPE II - OFTEN REFERRED TO AS "AVERAGE"  
COMPLEXION, BURNS MODERATELY AND TANS ABOUT  
AVERAGE.

SKIN TYPE IV - THIS INDIVIDUAL BURNS MINIMALLY,  
TANS EASILY AND ABOVE AVERAGE.  
SKIN TYPE V - THIS INDIVIDUAL'S SKIN RARELY BURNS,  
BUT DOES NOT DEVELOP A TAN.

FOR PARTS AND SERVICE CALL:  
Sonnentherm, Inc.  
Fingold CA  
1-800-529-8533



**> WARNING LABEL - PLEASE READ**

Located on tanning bed bench -  
Please read important safety information  
relating to the proper operation of this  
equipment.

**726 20 MIN.**

**DANGER:** ULTRAVIOLET RADIATION, FOLLOW INSTRUCTIONS, AVOID OVER EXPOSURE, AS WITH NATURAL SUNLIGHT, OVEREXPOSURE CAN CAUSE EYE AND SKIN INJURY AND ALLERGIC REACTION. REPEATED EXPOSURE MAY CAUSE PREMATURE AGING OF THE SKIN AND SKIN CANCER.

**WEAR PROTECTIVE EYEWEAR; FAILURE TO MAY RESULT IN SEVERE BURNS OR LONG-TERM INJURY TO THE EYES**

**CAUTION! EXPOSURE POSITIONS OTHER THAN SPECIFIED CAN BE HARMFUL AND ARE NOT RECOMMENDED**

THIS PRODUCT IS IN CONFORMITY WITH PERFORMANCE STANDARDS FOR SUNLAMP PRODUCTS UNDER NO. 21 CFR 801.40 CHAPTER 1.

MEDICATION OR COSMETICS MAY INCREASE YOUR SENSITIVITY TO THE ULTRAVIOLET RADIATION. CONSULT PHYSICIAN BEFORE USING SUNLAMP IF YOU ARE USING MEDICATIONS OR HAVE A HISTORY OF SKIN PROBLEMS OR BELIEVE YOURSELF ESPECIALLY SENSITIVE TO SUN LIGHT. IF YOU DO NOT TAN IN THE SUN, YOU ARE UNLIKELY TO TAN FROM THE USE OF THIS PRODUCT.

SKIN TYPE	RECOMMENDED EXPOSURE SCHEDULE:				BI-WEEKLY MAINTENANCE SESSIONS
	WEEK 1 SESSIONS 1-3	WEEK 2 SESSIONS 4-4	WEEK 3 SESSIONS 7-10	WEEK 4 SESSIONS 11-15	
IF FAIR	4 MIN.	8 MIN.	12 MIN.	16 MIN.	20 MIN.
IF MEDIUM	4 MIN.	8 MIN.	12 MIN.	16 MIN.	20 MIN.
IF DARK	4 MIN.	12 MIN.	18 MIN.	20 MIN.	20 MIN.
IF VERY DARK	4 MIN.	12 MIN.	18 MIN.	20 MIN.	20 MIN.

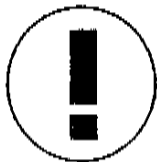
MAXIMUM USE TIME: 20 MINUTES  
IN MOST CASES, TANNING WILL APPEAR WITHIN SIX HOURS OF THE FIRST APPLICATION. PROVIDED YOUR SKIN IS CAPABLE OF DARKENING, A DARKENING MAY BE USED AFTER EACH TRAINING SESSION.  
THIS SYSTEM IS INTENDED TO BE USED ONLY WITH THE MOLEF SYSTEM BODYSOAR X FT1200W.

**THIS DEVICE IS INTENDED TO BE USED BY ONE PERSON AT A TIME. YOU MAY LIE DIRECTLY ON TANNING SURFACE.**

**THE MINIMUM EXPOSURE POSITION IS 4.1 IN. (1.27CM) FROM THE LAMP'S SURFACE (PRESET BY THE MANUFACTURER). READ THE INSTRUCTION BOOKLET BEFORE USING THIS DEVICE.**

**SKIN TYPE III - THIS IS THE INDIVIDUAL THAT USUALLY BURNS EASILY AND SEVERELY, TANS MINIMALLY OR LIGHTLY AND FEELS SKIN TYPE III - OFTEN REFERRED TO AS 'AVERAGE' COMPLEXION, BURNS MODERATELY AND TANS ABOUT AVERAGE SKIN TYPE IV - THIS INDIVIDUAL BURNS MINIMALLY, TANS EASILY AND ABOVE AVERAGE. SKIN TYPE V - THIS INDIVIDUAL BURNS MINIMALLY, TANS EASILY AND SUBSTANTIALLY.**

**FOR PARTS AND SERVICE CALL:**  
Sorenson Braine, Inc.  
Rm 3360  
Atlanta GA  
1-800-524-6533



> WARNING LABEL - PLEASE READ

Located on tanning bed bench - Please read important safety information relating to the proper operation of this equipment.

**726/1 20 MIN.**

**DANGER:** ULTRAVIOLET RADIATION, FOLLOW INSTRUCTIONS, AVOID OVER EXPOSURE, AS WITH NATURAL SUNLIGHT, OVER EXPOSURE CAN CAUSE EYE AND SKIN INJURY AND ALLERGIC REACTION. REPEATED EXPOSURE MAY CAUSE PREMATURE AGING OF THE SKIN AND SKIN CANCER.

**WEAR PROTECTIVE EYEWEAR; FAILURE TO MAY RESULT IN SEVERE BURNS OR LONG-TERM INJURY TO THE EYES**

**CAUTION! EXPOSURE POSITIONS OTHER THAN SPECIFIED CAN BE HARMFUL AND ARE NOT RECOMMENDED**

THIS PRODUCT IS IN COMPLIANCE WITH PER-FLUORINATED POLYETHER (PFPE) REGULATIONS UNDER NO. 21 CFR SUBCHAPTER J.

MEDICATION OR COSMETICS MAY INCREASE YOUR SENSITIVITY TO THE ULTRAVIOLET RADIATION. CONSULT PHYSICIAN BEFORE USING SUNLAMP IF YOU ARE USING MEDICATIONS OR HAVE A HISTORY OF SKIN PROBLEMS OR BELIEVE YOURSELF ESPECIALLY SENSITIVE TO SUNLIGHT. IF YOU DO NOT TAN IN THE SUN, YOU ARE UNLIKELY TO TAN FROM THE USE OF THIS PRODUCT.

SKIN TYPE	RECOMMENDED EXPOSURE SCHEDULE:					BI-WEEKLY MAINTENANCE SESSIONS
	WEEK 1 SESSIONS 1-3	WEEK 2 SESSIONS 4-4	WEEK 3 SESSIONS 7-10	WEEK 4 SESSIONS 11-15		
I FAIR	4 MIN.	8 MIN.	12 MIN.	18 MIN.	20 MIN.	20 MIN.
II MEDIUM	4 MIN.	8 MIN.	12 MIN.	18 MIN.	20 MIN.	20 MIN.
III MEDIUM DARK	4 MIN.	12 MIN.	18 MIN.	20 MIN.	20 MIN.	20 MIN.
IV VERY DARK	4 MIN.	12 MIN.	18 MIN.	20 MIN.	20 MIN.	20 MIN.

MAXIMUM USE TIME: 20 MINUTES

IN MOST CASES, TANNING WILL APPEAR WITHIN SIX HOURS OF THE FIRST APPLICATION. PROVIDED YOUR SKIN IS CAPABLE OF DEVELOPING A TAN, A LIGHTER TANNING MAY BE USED AFTER EACH TANNING SESSION. THIS SYSTEM IS INTENDED TO BE USED ONLY WITH THE 'WOLFF' SYSTEM BODYSCAN X FT/1 DOWN AND PHILIPS CLEO HEADS 31V 400W.

THIS DEVICE IS INTENDED TO BE USED BY ONE PERSON AT A TIME. YOU MAY LIE DIRECTLY ON TANNING SURFACE.

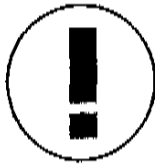
THE MINIMUM EXPOSURE POSITION IS 4.5 IN. (11.27 CM) FROM THE LAMP'S SURFACE (PRINTED BY THE MANUFACTURER). READ THE INSTRUCTION BOOKLET BEFORE USING THIS DEVICE.

SKIN TYPE II - THIS IS THE INDIVIDUAL THAT USUALLY BURNS EASILY AND SEVERELY, TANS MINIMALLY OR LIGHTLY AND PEELS.  
SKIN TYPE III - OFTEN REFERRED TO AS 'AVERAGE' COMPLEXION, BURNS MODERATELY AND TANS ABOUT AVERAGE.

SKIN TYPE IV - THIS INDIVIDUAL BURNS MINIMALLY, TANS EASILY AND ABOVE AVERAGE.  
SKIN TYPE V - THIS INDIVIDUAL'S SKIN RARELY BURNS, (TANS EASILY AND ABOVE AVERAGE).

FOR PARTS AND SERVICE CALL:  
Sonnentherme, Inc.  
Pittsford, GA  
1-800-928-8533





**> WARNING LABEL - PLEASE READ**

Located on tanning bed bench -  
Please read important safety information  
relating to the proper operation of this  
equipment.

**732 20 MIN.**

**DANGER:** ULTRAVIOLET RADIATION, FOLLOW INSTRUCTIONS, AVOID OVER EXPOSURE, AS WITH NATURAL SUNLIGHT, OVER EXPOSURE CAN CAUSE EYE AND SKIN INJURY AND ALLERGIC REACTION. REPEATED EXPOSURE MAY CAUSE PREMATURE AGING OF THE SKIN AND SKIN CANCER.

**WEAR PROTECTIVE EYEWEAR; FAILURE TO MAY RESULT IN SEVERE BURNS OR LONG-TERM INJURY TO THE EYES**

**CAUTION! EXPOSURE POSITIONS OTHER THAN SPECIFIED CAN BE HARMFUL AND ARE NOT RECOMMENDED**

THIS PRODUCT IS IN CONFORMANCE WITH PERFORMANCE STANDARDS FOR SUNLAMP PRODUCTS UNDER NO. 21 CFR SUBCHAPTER I.

MEDICATION OR COSMETICS MAY INCREASE YOUR SENSITIVITY TO THE ULTRAVIOLET RADIATION. CONSULT PHYSICIAN BEFORE USING SUNLAMP IF YOU ARE USING MEDICATIONS OR HAVE A HISTORY OF SKIN PROBLEMS OR BELIEVE YOURSELF ESPECIALLY SENSITIVE TO SUNLIGHT. IF YOU DO NOT TAN IN THE BURN, YOU ARE UNLIKELY TO TAN FROM THE USE OF THIS PRODUCT.

SKIN TYPE	WEEK 1 SESSIONS 1-3	WEEK 2 SESSIONS 4-4	WEEK 3 SESSIONS 7-10	WEEK 4 SESSIONS 11-15	BI-WEEKLY MAINTENANCE SESSIONS
I - FAIR	4 MIN.	8 MIN.	12 MIN.	18 MIN.	20 MIN.
II - MEDIUM	4 MIN.	12 MIN.	12 MIN.	18 MIN.	20 MIN.
III - DARK	4 MIN.	12 MIN.	18 MIN.	20 MIN.	20 MIN.
V - VERY DARK	4 MIN.	12 MIN.	18 MIN.	20 MIN.	20 MIN.

MAXIMUM USE TIME: 20 MINUTES

IN MOST CASES, TANNING WILL APPEAR WITHIN SIX HOURS OF THE FIRST APPLICATION, PROVIDED YOUR SKIN IS CAPABLE OF DEVELOPING A TAN. A MOISTURIZER MAY BE USED AFTER EACH TANNING SESSION. THIS SYSTEM IS INTENDED TO BE USED ONLY WITH THE WOLFF SYSTEM BODYSCAN XPT1115B.W.

THIS DEVICE IS INTENDED TO BE USED BY ONE PERSON AT A TIME. YOU MAY LIE DIRECTLY ON TANNING SURFACE.

THE MINIMUM EXPOSURE POSITION IS 0.6 M. (1.97 CM) FROM THE LAMP'S SURFACE (PRESET BY THE MANUFACTURER). READ THE INSTRUCTION BOOKLET BEFORE USING THIS DEVICE.

SKIN TYPE I - THIS IS THE INDIVIDUAL THAT USUALLY BURNS EASILY AND SEVERELY, TANS MINIMALLY OR LIGHTLY AND PEELES.  
SKIN TYPE II - OFTEN REFERRED TO AS 'AVERAGE' COMPLEXION, BURNS MODERATELY AND TANS ABOUT AVERAGE.  
SKIN TYPE III - THIS INDIVIDUAL BURNS MINIMALLY, TANS EASILY AND ABOVE AVERAGE.  
SKIN TYPE IV - THIS INDIVIDUAL'S SKIN RARELY BURNS, TANS EASILY AND SUBSTANTIALLY.

FOR PARTS AND SERVICE CALL:

Remmert-Tanning, Inc.  
P.O. Box 1014  
1-800-828-8933



**WARNING LABEL - PLEASE READ**

Located on tanning bed bench -  
Please read important safety information  
relating to the proper operation of this  
equipment.

**732/3 20 MIN.**

**DANGER:** ULTRAVIOLET RADIATION, FOLLOW INSTRUCTIONS, AVOID OVER EXPOSURE, AS WITH  
NATURAL SUNLIGHT, OVER EXPOSURE CAN CAUSE EYE AND SKIN INJURY AND ALLERGIC REACTION.  
REPEATED EXPOSURE MAY CAUSE PREMATURE AGING OF THE SKIN AND SKIN CANCER.

**WEAR PROTECTIVE EYEWEAR; FAILURE TO MAY  
RESULT IN SEVERE BURNS OR LONG-TERM INJURY  
TO THE EYES**

**CAUTION! EXPOSURE  
POSITIONS OTHER  
THAN SPECIFIED CAN  
BE HARMFUL AND ARE  
NOT RECOMMENDED**

THIS PRODUCT IS IN CONFORMITY WITH PER-  
FORMANCE STANDARDS FOR SUNLAMP PRO-  
DUCTS UNDER HQ. 21 CFR SUBCHAPTER J.

MEDICATION OR COSMETICS MAY INCREASE YOUR  
SENSITIVITY TO THE ULTRAVIOLET RADIATION.  
CONSULT PHYSICIAN BEFORE USING SUNLAMP IF  
YOU ARE USING MEDICATIONS OR HAVE A HISTORY  
OF SKIN PROBLEMS OR BELIEVE YOURSELF  
ESPECIALLY SENSITIVE TO SUN LIGHT. IF YOU DO  
NOT TAN IN THE SUN, YOU ARE UNLIKELY TO TAN  
FROM THE USE OF THIS PRODUCT.

SKIN TYPE	WEEK 1 SESSIONS 1-3	WEEK 2 SESSIONS 4-6	WEEK 3 SESSIONS 7-10	WEEK 4 SESSIONS 11-15	BI-WEEKLY MAINTENANCE SESSIONS
I FAIR	4 MIN.	8 MIN.	12 MIN.	18 MIN.	20 MIN.
II MEDIUM	4 MIN.	5 MIN.	12 MIN.	18 MIN.	20 MIN.
III DARK	4 MIN.	12 MIN.	15 MIN.	20 MIN.	20 MIN.
IV VERY DARK	4 MIN.	12 MIN.	15 MIN.	20 MIN.	20 MIN.

MAXIMUM USE TIME: 20 MINUTES

IN MOST CASES, TANNING WILL APPEAR WITHIN SIX HOURS OF THE FIRST APPLICATION. PROVIDED YOUR  
SKIN IS CAPABLE OF DEVELOPING A TAN, A DARKER TONE MAY BE USED AFTER EACH TANNING SESSION.  
THIS SYSTEM IS INTENDED TO BE USED ONLY WITH THE WOLFF SYSTEM BODYSCAN X P711000 AND  
PHILIPS CLEO BEA000 SIX BODY.

THIS DEVICE IS INTENDED TO BE USED BY ONE  
PERSON AT A TIME. YOU MAY LIE DIRECTLY ON  
TANNING SURFACE.

THE MINIMUM EXPOSURE POSITION IS 0.5 M. (1.75 CM)  
FROM THE LAMP'S SURFACE (PRESS BY THE  
MANUFACTURER). READ THE INSTRUCTION  
BOOKLET BEFORE USING THIS DEVICE.

SKIN TYPE II - THIS IS THE INDIVIDUAL THAT USUALLY  
BURNS EASILY AND SEVERELY, TANS MINIMALLY OR  
LIGHTLY AND PEELS.

SKIN TYPE III - OFTEN REFERRED TO AS "AVERAGE"  
COMPLEXION, BURNS MODERATELY AND TANS ABOUT  
AVERAGE.

SKIN TYPE IV - THIS INDIVIDUAL BURNS MINIMALLY,  
TANS EASILY AND ABOVE AVERAGE.

SKIN TYPE V - THIS INDIVIDUAL'S SKIN RARELY BURNS,  
TANS EASILY AND SUBSTANTIALLY.

FOR PARTS AND SERVICE CALL:

Sonnenstudio, Inc.  
Rm. 1030M GA.  
1-800-828-6533

**CONTENTS FOR ASSEMBLY AND OPERATION:**

<b>2</b>	<b>WARNING LABELS - PLEASE READ</b>
<b>8</b>	<b>WELCOME</b>
<b>9</b>	<b>PACKING LISTS &amp; TECHNICAL DATA</b>
<b>11</b>	<b>BEFORE ASSEMBLY INSTRUCTIONS</b>
<b>12</b>	<b>COMMON QUESTIONS</b>
<b>13</b>	<b>ASSEMBLY INSTRUCTIONS</b>
<b>16</b>	<b>ELECTRICAL REQUIREMENTS &amp; CONNECTIONS</b>
<b>16</b>	<b>TIMER INFORMATION</b>
<b>17</b>	<b>DISPOSAL OF PACKAGING &amp; TANNING LAMP DATA</b>
<b>18</b>	<b>ABOUT OPERATION</b>
<b>19</b>	<b>SAFETY INSTRUCTIONS FOR OPERATION</b>
<b>20</b>	<b>HEALTH DANGERS</b>
<b>21</b>	<b>RECOMMENDED EXPOSURE TIMES</b>
<b>22</b>	<b>FACIAL TANNER EXPOSURE &amp; INFORMATION</b>
<b>23</b>	<b>CLEANING UNIT</b>
<b>26</b>	<b>REPLACING LAMPS</b>
<b>28</b>	<b>TROUBLESHOOTING</b>
<b>29</b>	<b>DISPOSAL OF LAMPS &amp; SPARE PARTS</b>
<b>30</b>	<b>PARTS DIAGRAM</b>
<b>31</b>	<b>PART ID AND REORDER LISTING</b>
<b>32</b>	<b>WIRING DIAGRAMS - 3200/3 &amp; 732/3</b>
<b>36</b>	<b>WIRING DIAGRAMS - 732</b>
<b>40</b>	<b>WIRING DIAGRAMS - 726/1</b>
<b>44</b>	<b>WIRING DIAGRAMS - 726</b>
<b>48</b>	<b>UNIT WARRANTY</b>

The logo for SonnenBräune is written in a stylized, cursive script. The word "Sonnen" is on the top line and "Bräune" is on the bottom line, with a horizontal line underneath the entire word.

SonnenBräune Headquarters, Showroom & Factory  
6362 Battlefield Parkway  
Ringgold, Georgia USA  
706.937.2005  
800.829.6533  
Fax 706.937.5609

web: [www.sonnenbraune.com](http://www.sonnenbraune.com)  
email: [sales@sonnenbraune.com](mailto:sales@sonnenbraune.com)





Congratulations on the purchase of your SonnenBräune tanning bed. This quality bed is one of the finest crafted, most dependable and highly profitable beds available on the market today. We pride ourselves not only on the high standards we uphold in the design and development of these beds, but also on the quality control and customer service we offer in production and throughout installation and operation.

Of course, you purchased this bed because you have faith in our product and what it can do for your salon. Your new SonnenBräune bed was developed to make your salon more profitable. Paired with your salon's advertising and promotion, this bed can help you bring in more customers by offering exotic SonnenBräune features, and increasing your turn around through faster tan times.

And, no matter where you are in the world, there is a SonnenBräune distributor to serve you. Our worldwide network was developed to serve the global demand for our product. So if you ever have a question regarding your SonnenBräune tanning bed, feel free to call your personal distributor, or contact SonnenBräune by phone or through the internet at [sales@sonnenbraune.com](mailto:sales@sonnenbraune.com). You can also visit our web site for more information about the entire line of SonnenBräune products and the latest innovations at [www.sonnenbraune.com](http://www.sonnenbraune.com).

Thanks for purchasing your SonnenBräune bed... The Solar System beyond.

**Packing List**

- 1 x Plastic part, head endcap
- 1 x Plastic part, foot endcap
- 1 x Cushion
- 1 x Accessory bag with screws
- 1 x Assembly and operating instructions with circuit diagram and pairs of sunglasses
- 1 x Packing docket

**BodyScan 3200/3 Product Specifications & Technical Data**

<b>BodyScan 2000 by SonnenBräune</b>	<b>3200/3</b>
Premium Color	Planetary silver
Tubes in the canopy (#/watts)	16 @ 100W
Tubes in the bench (#/watts)	16 @ 100W
Facials in the canopy (#/watts)	3 @ 500/400W
Mechanical lift and lower of canopy with gas pistons	yes
Electrical supply required	220 volts
Approximate power in watts	5,390W
Fuse rating	30 amps
Solarium tan time	15 minutes
Pivoting facial filter glass for quick change of lamps	yes
Body cooling from the head section pillar	optional
Appliance measurements completely assembled	88.25" x 35.5"
Approximate ship weight in lbs.	665 lbs.
Appliance construction	steel
Certification code	UL
Suggested minimum solarium room size	8' x 7'

**Packing List**

- 1 x Plastic part, head endcap
- 1 x Plastic part, foot endcap
- 1 x Cushion
- 1 x Accessory bag with screws
- 1 x Packing docket
- 1 x Assembly and operating instructions with circuit diagram and pairs of sunglasses

**Klassik Series Product Specifications & Technical Data**

<b>Klassik Series</b>	<b>726</b>	<b>726/1</b>
Premium Color	White with platinum graphics (both)	
Tubes in the canopy (#/watts)	13 @ 100W	13 @ 100W
Tubes in the bench (#/watts)	13 @ 100W	13 @ 100W
High pressure facial lamps (#/watts)	n/a	1 @ 500/400W
Pivoting facial filter glass for quick change of lamps	n/a	yes
Mechanical lift and lower of canopy with gas pistons	yes	yes
Electrical supply (volts/watts)	220/2,920W	220/3,550W
Fuse rating	25 amps	25 amps
Solarium tan time	20 minutes	20 minutes
Appliance internal cooling in canopy (#/cfm)	3 @ 105cfm	3 @ 105cfm
Appliance internal cooling in bench (#/cfm)	4 @ 105cfm	4 @ 105cfm
Body cooling from the head section pillar	optional	optional
Appliance measurements completely assembled	88.25" x 35.5"	88.25" x 35.5"
Approximate ship weight in lbs.	590 lbs.	625 lbs.
Appliance construction	steel	steel
Certification code	UL	UL
Suggested minimum solarium room size	8' x 7'	8' x 7'

<b>Klassik Series</b>	<b>732</b>	<b>732/3</b>
Premium Color	White with platinum graphics (both)	
Tubes in the canopy (#/watts)	16 @ 100W	16 @ 100W
Tubes in the bench (#/watts)	16 @ 100W	16 @ 100W
High pressure facial lamps (#/watts)	n/a	3 @ 500/400W
Pivoting facial filter glass for quick change of lamps	n/a	yes
Mechanical lift and lower of canopy with gas pistons	yes	yes
Electrical supply (volts/watts)	220/3,650W	220/5,390W
Fuse rating	25 amps	30 amps
Solarium tan time	20 minutes	20 minutes
Appliance internal cooling in canopy (#/cfm)	3 @ 105cfm	3 @ 105cfm
Appliance internal cooling in bench (#/cfm)	4 @ 105cfm	4 @ 105cfm
Body cooling from the head section pillar	optional	optional
Appliance measurements completely assembled	88.25" x 35.5"	88.25" x 35.5"
Approximate ship weight in lbs.	615 lbs.	665 lbs.
Appliance construction	steel	steel
Certification code	UL	UL
Suggested minimum solarium room size	8' x 7'	8' x 7'

### > Before Assembly

The assembly instructions provide important safety directions and information necessary for the correct assembly of the unit. Please read the assembly instructions completely and carefully.

### For Your Safety During Assembly

- Danger of injury by sharp edges. Be sure to wear safety shoes and gloves when assembling the unit.
- Danger of electrocution. Never take the safety equipment out of operation.  
Never bypass the safety equipment. Ineffective safety equipment could cause harm.
- Work on the electrical supply may only be performed by qualified electricians.  
This work must be performed in compliance with electrical rules and regulations.
- Use only original fuses with the specified voltage and current ratings.
- When installing the unit, ensure that the color codings of the plugs and sockets match.
- The voltage of the power source must conform to the specifications of SonnenBräune, Inc.
- Do not put the unit into operation if the power lead or the unit is damaged.
- Protect the cables against heat and moisture.



### Transport Damage

Check that the unit has been delivered in an good, undamaged condition immediately upon arrival of shipment. Inform the delivery service of any transport damage or missing items. Compare the delivered parts with the packing list. If there is damage, the damage report should be made immediately, at least within four days of delivery. The notification period begins on the date of delivery. For easier clarification, damage should be photographed.

### Notes on Transport Before Assembly

- When transporting, loading or unloading the unit, special care and consideration is necessary. Never use force.
- Do not transport the unit in an assembled condition.
- Only remove the packing material and the transport braces at the final location.
- Replace damaged or worn parts.
- Use only original parts.

### Installation Site

- Place the unit in a dry room protected against water spray and drops.  
The air humidity must not exceed 70% at the maximum permissible room temperature of 82.4° F
- The ceiling of the room in which you intend to install the unit must be open for ventilation.
- Always ensure sufficient air circulation in the room.

### Intended Use

The tanning unit is intended exclusively for cosmetic tanning of the human skin. Other use is not intended. The manufacturer will not accept liability for damages caused by misuse.

### The intended use includes:

- The observation of all notes in the assembly and operating instructions.
- Compliance with the specified cleaning and maintenance work.

### Assembly Directions

Depending on your room space, the unit must first be dismantled in at least two components (canopy / bench) before the actual assembly. Instructions for this are to be found on the following pages.

## > Common questions

### **Customer responsibility when receiving shipment of bed.**

Accepting your tanning bed shipment and unpacking the contents deems the contents sole responsibility of the recipient. Should the boxes or crates be damaged, inspect the contents prior to accepting shipment. If damage exists, contact the delivery carrier and your distributor immediately. SonnenBräune is not responsible for damage that has occurred during shipping, unpacking, or installation of bed. If damage has occurred while in route to destination, the carrier is responsible.

### **Contact the carrier first, then your SonnenBräune distributor.**

### **What to expect when special arrangements have been made to include installation with your purchase.**

If special arrangements have been made to include the installation, the tanning bed will be delivered to the sight and assembled in the room. All electrical connections from the bed to the ballast trays will be made by the installer. At this point the bed is ready for the electrician to connect power (buck-booster) to the unit. If all the electrical is done (proper voltage and wire supplied) the installer may connect power to the unit.

### **What's not included in the tanning bed installation?**

There will be no electrical work performed by the installer except on the tanning unit. The installer will not wire the Buck-Boost transformers. The installer will not connect exhaust hoses to the building (Only to the tanning unit). There will be no modification made to the building (walls, ceiling, etc.) by the installer.

### **The End-User must supply proper room size and access to the room.**

SonnenBräune will not be responsible for dents or scratches to the unit when proper room size and access to the room is not provided (to be determined by the installer). SonnenBräune will not be responsible for damage to the unit during shipping or while being installed by anyone other than a SonnenBräune Certified Installer.

### **Buck-Boosters**

Buck-Boosters will not be supplied by SonnenBräune. If the customer's electrician cannot supply the customer with a buck-booster, ask the customer or the customer's electrician to contact Paul at Ringgo d Electric (706-965-7997) with their incoming voltage and bed model for the buck-booster needs.

> Assembly Parts List For Diagrams 1 - 6

- 1. Leg Assembly
- 2. Leg
- 4. & 5. Facade Pivot
- 6. Facade Camlock
- 7. Facade Flange
- 8. Leg Pads
- 9. Leg Panel
- 10. Leg Support
- 11. Pivot Bolt Bushing
- 12. Flat Washer
- 13. Brake Adjustment Screw
- 14. Brake
- 15. Flat Washer and Brake Bolts
- 16. Brake Adjustment Access
- 17. Hinge Arm
- 18. Lock Washers and Hinge Bolts
- 19. Main Pivot Bolt
- 20. Flat Washer
- 21. Piston
- 22. Piston Support
- 23. Piston Clip
- 24. Brake Adjustment Tool

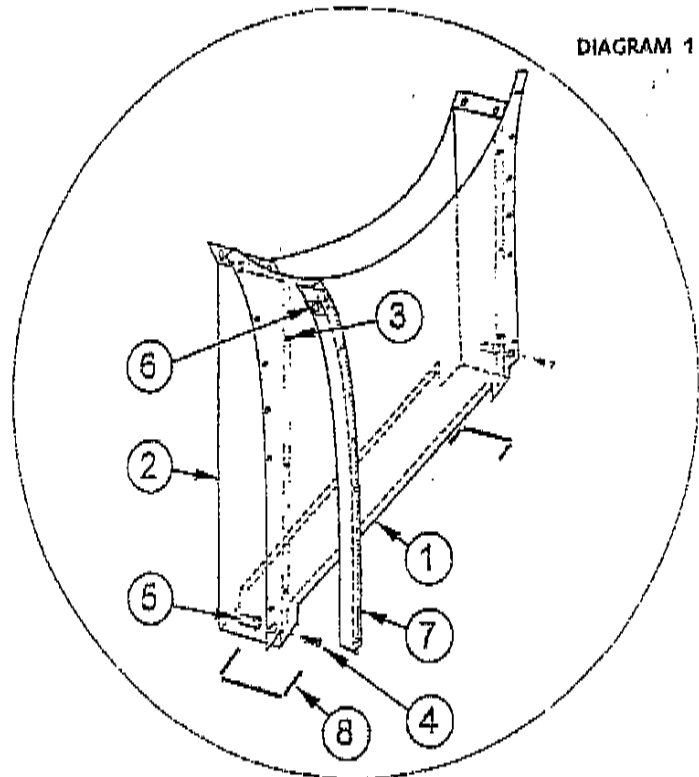


DIAGRAM 2

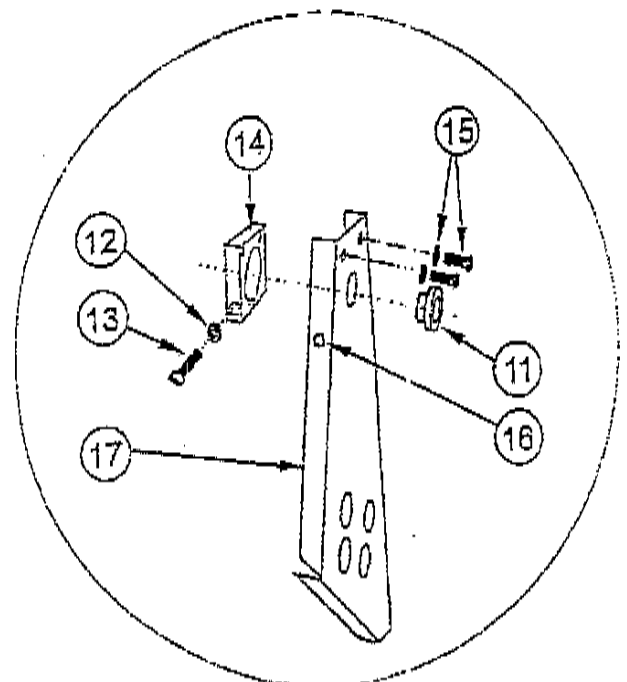
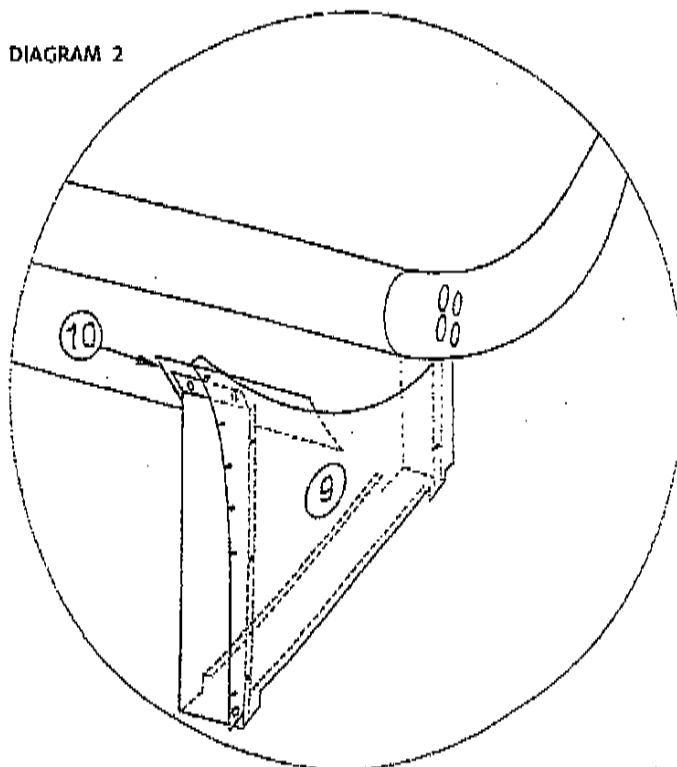


DIAGRAM 3

> Assembly Diagrams ...continued:

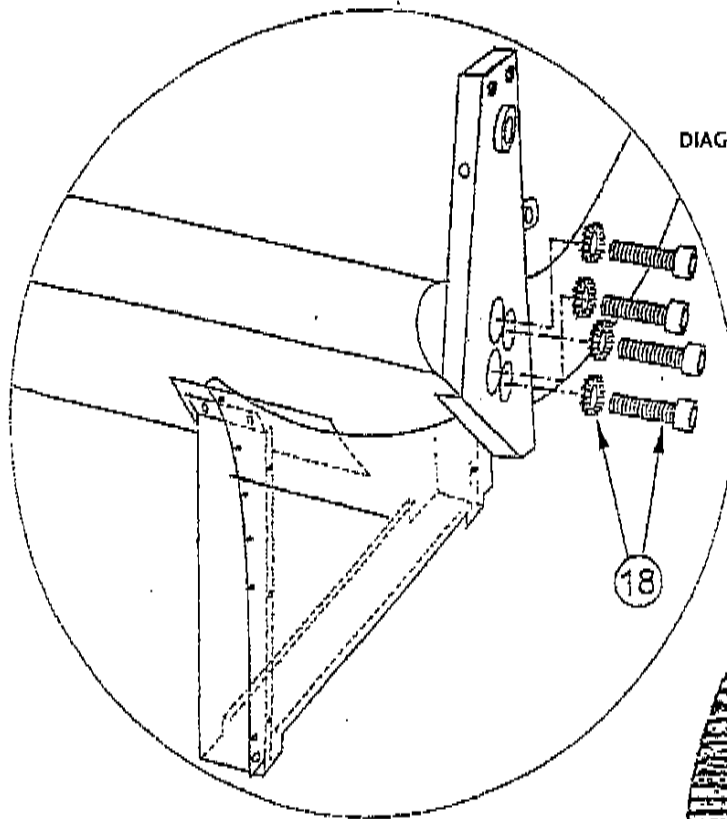


DIAGRAM 4

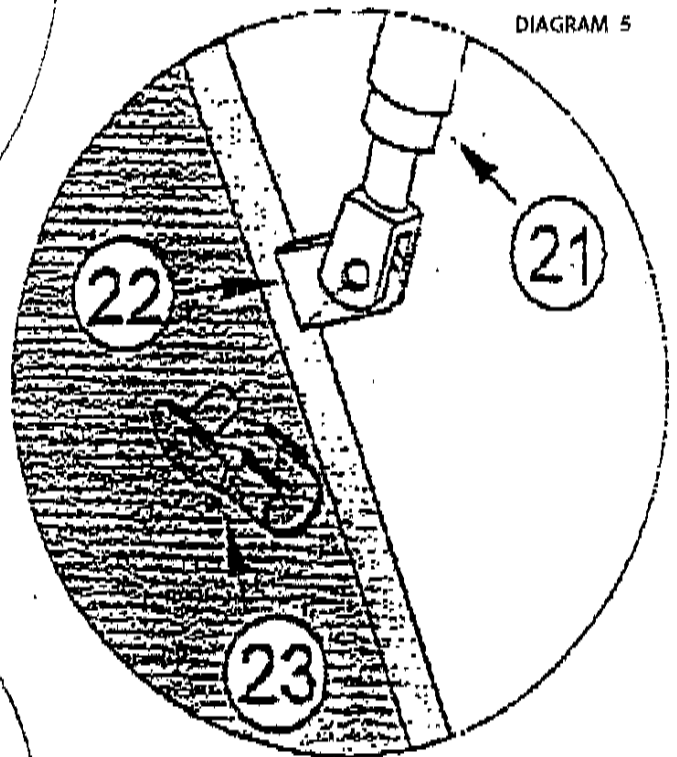


DIAGRAM 5

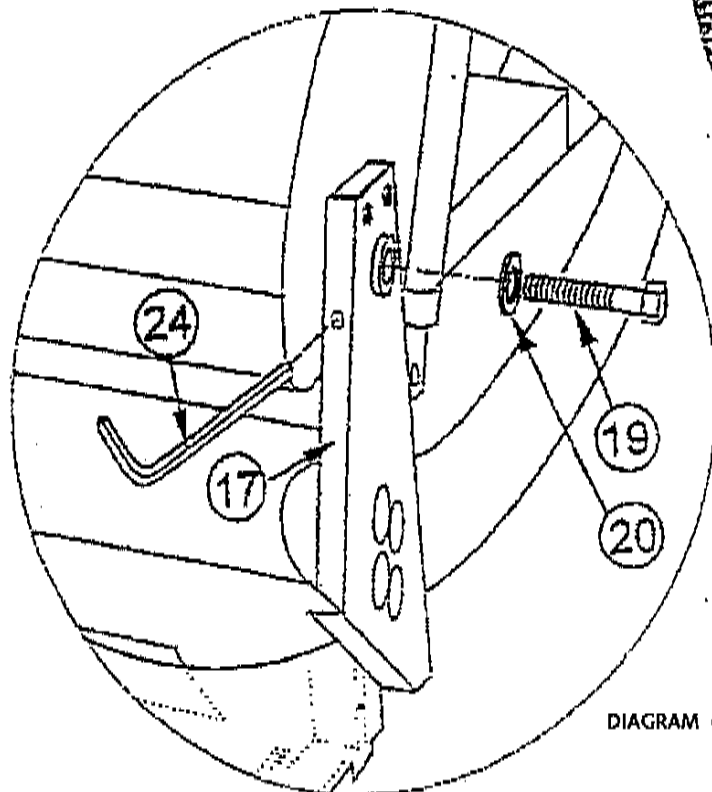


DIAGRAM 6

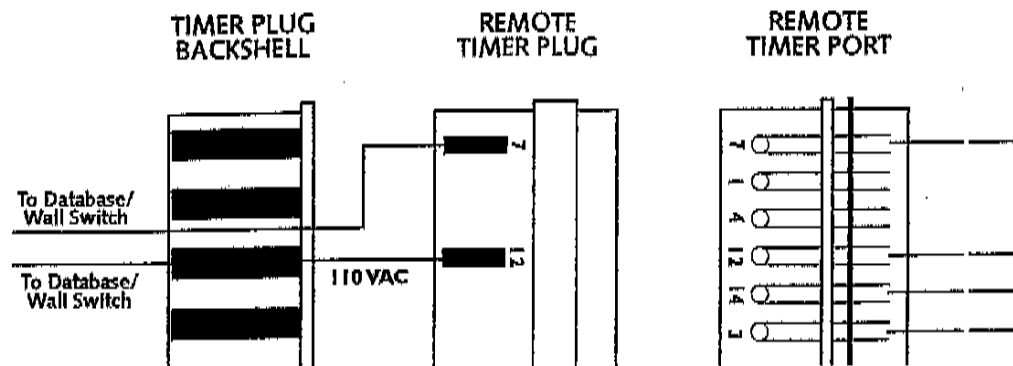
> **Electrical Requirements & Connections**

Your new tanning bed must operate on 220 VAC 60 Hz single phase only. A qualified electrician must be used to connect this appliance to your electrical supply. Your SonnenBräune bed must run between 215 to 225 volts. You should not operate your unit on voltage outside of this range, because you will damage the bed and void the warranty. Please give this information to your electrician and have him/her take a digital voltage reading on your incoming power to determine the exact voltage. If your voltage is not between 215 and 225 volts, you need to purchase a "buck boost" transformer. They are available from SonnenBräune. The purpose of this transformer is to regulate your voltage to correct the level. This is very important to ensuring that your bed is operating properly and in avoiding future problems. To avoid over heating of the unit, do not cover the air vents.

**Adapting a database timer to SonnenBräune equipment:**

Connect the two low voltage wires from the timer to the on/off switch that is provided with your database system. The on/off switch should be mounted in the wall by the tanning bed. Take two, 16-gauge wires and connect them to a 14-pin male timer plug in positions 7 & 12 as shown in Diagram 7. Then connect the 14-pin male timer plug to the female timer port located on the right end of the main tray.

DIAGRAM 7

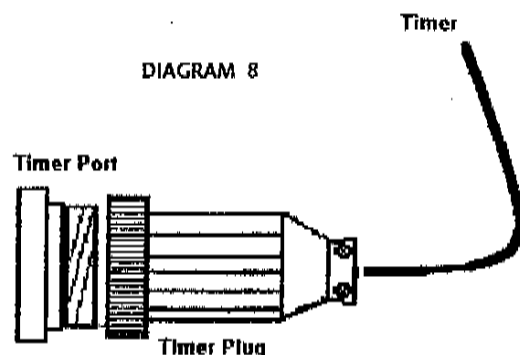


**Timer Plug**

- Connect the Timer Plug to the Timer port that is located on the foot end of the tanning unit next to where the power enters the unit.
- Mount the front right panel of the base.
- Insert the macrolon plate.
- Place the right/left covers on the plastic end parts.

(see Diagram 8)

DIAGRAM 8





**3200/3 TANNING LAMPS****Original Spare Parts**

<b>BENCH:</b>	Cosmolux® VLR 100W	Quantity: 16
<b>CANOPY:</b>	Cosmolux® VLR 100W	Quantity: 16
<b>FACIALS:</b>	Philips Cleo HPA/30 SIV	Quantity: 3 @ 400W
<b>FACIALS:</b>	Enhanced by BeautyMetic Blue Glass System for better efficiency and lamp life.	

**KLASSIK SERIES TANNING LAMPS****Original Spare Parts**

<b>BENCH:</b>	BodyScan-X® 100W	Quantity: 13 or 16
<b>CANOPY:</b>	BodyScan-X® 100W	Quantity: 13 or 16
<b>FACIALS:</b>	Philips Cleo HPA/30 SIV	Quantity: 3 @ 400W (models 726/1 & 732/3 only)

**Disposing of the packing**

With the exception of wooden materials, packing materials and packing aids can be recycled and should always be reused.

Paper, cardboard and corrugated cardboard packing materials, plastic packing parts and metal packing parts should be deposited in the appropriate collection containers. If these are not in place in your area, you can put these materials in with normal household waste.

We use only plastics capable of recycling as packing aids, e.g.

The symbols read:

**PE** for polyethylene (02=PE-HD; 04PE-LD)

**PP** for polypropylene (05)

**PS** for polystyrene (06)



## > Assembly instructions



All electrical testing and installation of parts must be performed by a certified electrical technician. Your electrician should contact SonnenBräune's service department for instructions prior to making any adjustments or changes.

After the unit has been removed from its packaging, the bench must be installed in the installation site. The room size needs to be sized adequately to accommodate at least three installation workers... located in front and behind the bench in order to attach the canopy.

**Step 1)** Attach facade bracket to leg assembly (Diagram 1, #7). Attach pivot point and cam locks for facade mounting (Diagram 1 # 4,5 & 6). Next install leg pads (Diagram 1, #8).

**Step 2)** Install the two legs with screws supplied to the bench. CAUTION - care should be taken when installing the legs. The flanged edge of the leg must be installed to the direction of the end caps, away from the ballast tray (Diagram 2, #9). NOTE - special support plate must be installed between leg assembly and body assembly for added support. (Diagram 2, #10).

**Step 3)** Set the bench up in the position that it will remain.

**Step 4)** Install the brakes (Diagram 3, #14) in the hinge arm (Diagram 3, #17) with adjustment screw (Diagram 3, #13) aligned with arm (Diagram 3, #16) prior to installing hinge to bench.

**Step 5)** Attach hinge arm to bench as shown (Diagram 4).

### Installing the Canopy:

**Step 6)** Position the head cushion on the front edge of the bench so that the canopy can rest on the bench.

**Step 7)** Insert the brake boss that protrudes from each end of canopy into the previously installed brakes, one end at a time.

**Step 8)** Insert the main pivot bolts through the brake into the boss of the canopy and tighten (Diagram 5, #19 & 20).

**Step 9)** Now, install the pistons (Diagram 6, #21, 22 & 23) and the end caps.

### Power drawer installation:

**Step 10)** Insert power trays under bench.

**Step 11)** Connect the power leads from the bench and canopy as marked in color coded sequence.

**Step 12)** Turn on power switch which is mounted on ballast tray.

**Step 13)** Test unit, then install facade.

Call your SonnenBräune representative in the event you have difficulty with any of the instructions above. The most common problems to check for in the event your tanning bed does not function are:

- Improper connections to the power tray.
- Inadequate power supply.

See Assembly Diagrams starting on next page

> **Proper Operational Procedures for Your Tanning Bed**

**AVOID EYE DAMAGE. Always wear proper protective eye wear. Eyes should be kept closed.**

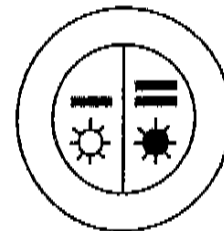
**Easy Access Control Buttons:**

Your SonnenBräune tanning bed is equipped with two easy access control buttons to operate special features on your unit. See diagram for operational procedures for each control button function. (Diagram #9, buttons A & B).

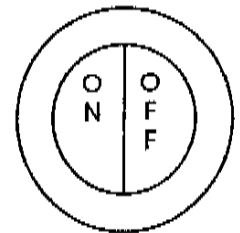
**Remote Timers:**

**BodyScan 3200/3**

Equipped with a remote timer that has a 15 minute maximum exposure time.



A



B

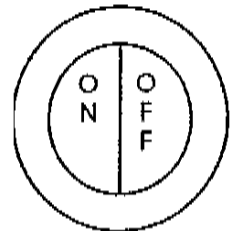
DIAGRAM 9

**Klassik Series**

Equipped with a remote timer that has a 20 minute maximum exposure time.

The remote timer can be set to the desired minute mark to activate the sunbed and start the session. The timer also serves as an emergency termination switch. To terminate emission of ultraviolet radiation, simply turn the timer dial to zero.

The unit is also equipped with an ON/OFF switch as shown. (Diagram #10, button B) This button must be activated in order to turn the tanning bed on. This switch can also serve as a termination switch. To terminate a tanning session, simply turn the switch to the "OFF" position.



B

DIAGRAM 10

**High Pressure Facial Tanners**

If your SonnenBräune bed is equipped with high pressure facials, please refer to (Diagram #5; button A) for operational procedures for your easy access control button to adjust the intensity of the facials to your choosing.

**Customer Cool System**

The customer cooling fans are located at the end of the tanning bed for maximum comfort. Each is built with 7 internal fans - 3 @ 105 cfm in the canopy and 4 @ 105 cfm in the bench. Your bed may include the optional body cooling from the head section pillar. (Diagram #11)

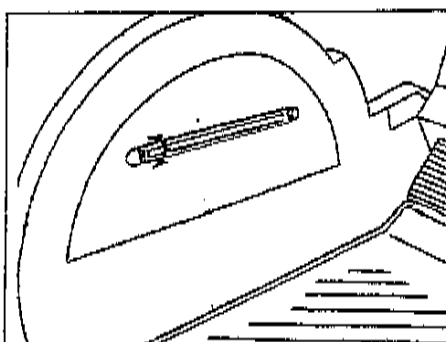


DIAGRAM 11

See Page 21 for the recommended exposure schedule - regulated by the FDA.

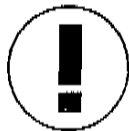
>Operating Instructions

This unit complies with the accepted rules of technology and the pertaining UL safety regulations.

This unit is screened in compliance with the EMT guidelines (electromagnetic tolerance).

**SAFETY DIRECTIONS**

Observe the safety directions in the assembly instructions. Read and follow exposure times and recommendations as seen on warning labels for each bed - example of warning label shown on right.



**General Dangers**

- Never allow unsupervised children to use the unit.
- Use the unit only when it has no visible deficiencies.
- Use the unit only when all safety and protective devices such as facial glass is installed and in order.
- Materials which fade in sunlight (e.g. paintings) should not be exposed to the UV light of this unit.



**Danger of Overheating**

- This unit can overheat if adequate cool air is not supplied.

Never cover the ventilation slots or hot air outlet openings of the cooler fan. If the fan fails, switch off the unit immediately.

**Danger of Burns**

- Elements of the unit get hot! Never touch the facial glass or lamps during tanning.
- The unit must fully cool before cleaning or maintenance work is done.

**CAUTION!**

Do not operate this equipment without all Guards, End-caps, Filters, Front Panel, etc. installed on unit. Doing so can cause serious damage to your tanning bed!

**DANGER:** ULTRAVIOLET RADIATION. FOLLOW INSTRUCTIONS. AVOID OVER EXPOSURE AS WITH NATURAL SUNLIGHT. OVEREXPOSURE CAN CAUSE EYE AND SKIN INJURY AND ALLERGIC REACTION. REPEATED EXPOSURE MAY CAUSE PREMATURE AGING OF THE SKIN AND SKIN CANCER.

**WEAR PROTECTIVE EYEWEAR; FAILURE TO MAY RESULT IN SEVERE BURNS OR LONG-TERM INJURY TO THE EYES**

**CAUTION! EXPOSURE POSITIONS OTHER THAN SPECIFIED CAN BE HARMFUL AND ARE NOT RECOMMENDED**

THIS PRODUCT IS IN CONFORMANCE WITH PERFORMANCE STANDARDS FOR SUNLAMP PRODUCTS UNDER NO. 31 CFC SUBCHAPTER J.

MEDICATION OR COSMETICS MAY INCREASE YOUR SENSITIVITY TO THE ULTRAVIOLET RADIATION. CONSULT PHYSICIAN BEFORE USING SUNLAMP IF YOU ARE USING MEDICATIONS OR HAVE A HISTORY OF SKIN PROBLEMS OR BELIEVE YOURSELF ESPECIALLY SENSITIVE TO SUN LIGHT. IF YOU DO NOT TAN IN THE SUN, YOU ARE UNLIKELY TO TAN FROM THE USE OF THIS PRODUCT.

RECOMMENDED EXPOSURE SCHEDULE:

SKIN TYPE	WEEK 1 SESSIONS 1-3	WEEK 2 SESSIONS 4-4	WEEK 3 SESSIONS 7-10	WEEK 4 SESSIONS 11-15	BIWEEKLY MAINTENANCE SESSIONS
II FAIR	3 MIN.	4 MIN.	8 MIN.	10 MIN.	12 MIN.
III MEDIUM	3 MIN.	5 MIN.	8 MIN.	10 MIN.	12 MIN.
IV DARK	3 MIN.	6 MIN.	10 MIN.	15 MIN.	16 MIN.
V VERY DARK	3 MIN.	9 MIN.	10 MIN.	15 MIN.	16 MIN.

MAXIMUM USE TIME: 18 MINUTES  
 UNUSUAL CASES: TANNING MAY APPEAR WITHIN SIX HOURS OF THE FIRST APPLICATION. PROVIDED YOUR SKIN IS CAPABLE OF DEVELOPING A TAN. A KIOSK SURFER MAY BE USED AFTER EACH TANNING SESSION. THIS UNIT IS DESIGNED TO BE USED ONLY WITH THE COSMOLUX TLR 1060/CM/00W AND PHILIPS CLEO BEAMS BY 40W.

THIS DEVICE IS INTENDED TO BE USED BY ONE PERSON AT A TIME. YOU MAY LIE DIRECTLY ON TANNING SURFACE.  
 THE MINIMUM EXPOSURE POSITION IS 0.1M. (1.37CM) FROM THE LAMP'S SURFACE. (PRESET BY THE MANUFACTURER). READ THE INSTRUCTION BOOKLET BEFORE USING THIS DEVICE.

SKIN TYPE II - THIS IS THE INDIVIDUAL THAT USUALLY BURNS EASILY AND SEVERELY, TANS MINIMALLY OR LIGHTLY AND FEELS  
 SKIN TYPE III - OFTEN REFERRED TO AS "AVERAGE" COMPLEXION, BURNS MODERATELY AND TANS ABOUT AVERAGE  
 SKIN TYPE IV - THIS INDIVIDUAL BURNS MINIMALLY, TANS EASILY AND ACHIEVES AVERAGE  
 SKIN TYPE V - THIS INDIVIDUAL'S SKIN RARELY BURNS, TANS EASILY AND SUBSTANTIALLY.

FOR PARTS AND SERVICE CALL:  
 Sorbonne Bed, Inc.  
 10933 S.E. 24  
 Fort Lauderdale, FL 33333  
 1-800-628-1533

**Health Dangers**

- It is essential that you do not exceed the initial and maximum tanning times specified on page 21.

**Attention: the tanning times are based on the skin type (see table of tanning times).**

- If you have a skin disorder, consult your doctor prior to tanning.
- Do not use UV radiation units if you have an abnormal skin reaction caused by intensive sunlight.
- If irritations or blisters appear on the skin after tanning, consult your doctor.
- Persons with pacemakers should consult their doctor to determine whether exposure to radiation in UV radiation is harmless to them.
- Protect your eyes. Always use suitable eye protection during tanning. Close your eyes during tanning. Unprotected eyes can develop surface irritations. Excessive radiation can damage the retina or lead to loss of sight.
- Do not use sunscreen. Modern tanning units emit mainly UVA radiation. Sunscreens protect the skin against UVB radiation only. UVB radiation causes sunburn 100-1000 times more severe than UVA radiation.
- Remove cosmetics applied to the skin several hours before tanning.

**UV Radiation and Drug Interactions**

- Medicines which seriously increase UV sensitivity are antibiotics, psychopharmaceuticals, diuretics, etc. Persons taking these types of drugs have a lower threshold for tanning, phototoxic and photoallergene skin reactions. Consult your physician prior to using a tanning bed.

**Examples of Medicines Which Can Cause Increased Sensitivity to UVRadiation**

(phototoxic and photoallergene reactions):

**> External Applications (brand names)**

- Dermatics
- Antimykotics (Multifungin)
- Photochemotherapeutics (Meladinin)

**> Internal Applications (brand names)**

- Antidiabetics (Euglucon, Rastinon)
- Chemotherapeutics
- Antibiotics (Tarivid, Ciprobav, Nogram)
- Antimalaria agents / antirheumatics (Resochin)
- Antimalarial agents (Lariam)
- Neuroleptics / antihistamines (Atosil, Neurocil, Psyquil, melleril, Taxilan)
- Diuretics (Esidrix, DytideH, Moduretik)
- Antihistamines (Soventol)
- Antitussives (Benadryl) Safety Directions

**Observe the safety directions in the assembly instructions.****General Dangers**

- Never allow unsupervised children to use the unit.
- Use the unit only when it has no visible deficiencies.
- Use the unit only when all safety and protective devices such as filter plates are installed and in order.
- Materials which fade in sunlight (e.g. paintings) should not be exposed to the UV light of this unit.

>Operating Instructions



The tanning units are equipped with special UV radiation lamps which generate little UVB radiation for the development of pigments and a high proportion of mild UVA tanning radiation.

- The skin is tanned inside the shortest possible time by the optimum composition of the radiation and the danger of sunburn is avoided.
- Apart from the cosmetic effect of the tanned skin, healthy vitamin D3 is created by moderate tanning. This can have a healing effect on metabolic disorders, rachitis and colds. Furthermore, a favorable effect can be achieved against skin diseases such as acne or seborrhoea.
- The optimum properties of the tanning units can only be achieved when the user possesses the normal conditions for tanning.
- After tanning, it is advisable to use a skin lotion.
- The thickness of the skin is not equal on all parts of the body. This results in differing light sensitivity. In the region of thin parts of the skin (e.g. the female breast), the tanning time should be reduced or sensitive parts of the skin should be covered when a part of the tanning period has expired.
- The attainment of an optimum tan depends on the skin type. This requires a tanning series of five to 10 sessions. Approximately two sessions per week are sufficient to maintain the achieved tan.
- If the skin reacts sensitively (skin tension), you should reduce the tanning period or temporarily interrupt a tanning session.
- In cases of insomnia, the sessions should be taken in the mornings.
- Overly excessive UV sessions in sunlight or with UV units can cause damage to the skin or eyes.
- The skin can become sunburnt after excessive exposure to radiation. Excessive UV sessions in sunlight or with UV units can lead to premature aging of the skin and to an increased risk of skin tumors.

**Skin Types**

The human skin reacts differently to exposure to UV light depending on the skin type. The recommended tanning times specified in the table are not generally applicable, but depend on the skin type. To find the correct tanning time for you (see table of tanning times), choose the appropriate skin type for yourself.

**Skin type I:** This is the individual that usually burns easily and severely, tans minimally or lightly and peels.

**Skin type II:** Often referred to as average complexion, burns moderately and tans about average.

**Skin type III:** This individual burns minimally, tans easily and above average.

**Skin type IV:** This individual's skin rarely burns, tans easily and substantially.

SKIN TYPE	RECOMMENDED EXPOSURE SCHEDULE:					BI-WEEKLY MAINTENANCE SESSIONS
	WEEK 1 SESSIONS 1-3	WEEK 2 SESSIONS 4-6	WEEK 3 SESSIONS 7-10	WEEK 4 SESSIONS 11-15		
II FAIR	3 MIN.	6 MIN.	8 MIN.	10 MIN.	12 MIN.	
III MEDIUM	3 MIN.	6 MIN.	8 MIN.	10 MIN.	12 MIN.	
IV DARK	3 MIN.	8 MIN.	10 MIN.	15 MIN.	16 MIN.	
V VERY DARK	3 MIN.	8 MIN.	10 MIN.	15 MIN.	16 MIN.	

MAXIMUM USE TIME: 15 MINUTES

3200/3

SKIN TYPE	RECOMMENDED EXPOSURE SCHEDULE:					BI-WEEKLY MAINTENANCE SESSIONS
	WEEK 1 SESSIONS 1-3	WEEK 2 SESSIONS 4-6	WEEK 3 SESSIONS 7-10	WEEK 4 SESSIONS 11-15		
II FAIR	4 MIN.	8 MIN.	12 MIN.	16 MIN.	20 MIN.	
III MEDIUM	4 MIN.	8 MIN.	12 MIN.	16 MIN.	20 MIN.	
IV DARK	4 MIN.	12 MIN.	16 MIN.	20 MIN.	20 MIN.	
V VERY DARK	4 MIN.	12 MIN.	16 MIN.	20 MIN.	20 MIN.	

MAXIMUM USE TIME: 20 MINUTES

726  
726/1  
732  
732/3

This exposure schedule provides information on tanning times, depending on the skin type and specific unit.

- Do not exceed the specified tanning times.
- In the first 50 to 80 hours of operation, the unit generates approximately 20% higher power. Reduce the session times specified in the table by approximately 20%.
- The interval between two sessions should be at least 48 hours.
- Avoid additional sunbathing on the days of the sessions.

### **Facial Tanner (models 3200/3, 726/1 & 732/3)**

The Facial Tanner is equipped with a higher radiating power than the other lamps. This attains a more intensive tanning of the facial skin.

Each time it starts, the facial tanner switches to full power regardless of the individual setting made by the previous user. This condition is indicated by an indicator lamp next to the switch.

**Full power - indicator lamp on**

**Half power - indicator lamp off.**



Danger of injury by intensive radiation and high brightness. Never look into the lamps during operation. Use the UV blocking eyewear provided.

Danger of skin injury by excessively long tanning. The maximum tanning time is specified in the table of tanning times.

The filter glass of the tanning bed becomes hot. Avoid all contact during tanning. Never tan without facial glass. If the tanning unit has visible deficiencies (e.g. filter or timer defective), the unit must not be put into operation.

The tanning times specified in the tables are recommended tanning times and apply only to the lamp types listed in the tables.

Danger of Burns. Observe the lamps with which your unit is equipped. If tanning lamps of other manufacturers or tanning lamps with higher ratings are used, skin injuries can be caused. The specified tanning times in the tables are then no longer valid.

Danger of skin injuries by excessively frequent sessions.

**IN MOST CASES, TANNING WILL APPEAR WITHIN SIX HOURS OF THE FIRST APPLICATION, PROVIDED YOUR SKIN IS CAPABLE OF DEVELOPING A TAN. A MOISTURIZER MAY BE USED AFTER EACH TANNING SESSION. THE KLASSIK SERIES BEDS ARE INTENDED TO BE USED ONLY WITH THE WOLFF SYSTEM BODYSCAN X® F71 BIPIN 100W AND PHILIPS CLEO HPA/30 SIV 400W. THE BODYSCAN 3200/3 IS INTENDED TO BE USED ONLY WITH THE COSMOLUX® VLR 1881 04/100W AND PHILIPS CLEO HPA/30 SIV 400W.**

See safety warning labels on page 2 - 6 of this manual.

The specified tanning times apply only for the following high-pressure and tanning lamps – in corresponding quantities:

**3200/3:**

**Canopy Tanning Lamps - 16 x Cosmolux VLR® 1881 04/100w**

**Bench Tanning Lamps - 16 x Cosmolux VLR® 1881 04/100w**

**Intensive Facial Tanner - 3 x Philips Cleo HPA/30 SIV 400W**

(behind Beauty/Metic Facial Glass)

**Klassik Models:**

**Canopy Tanning Lamps - 13 or 16 x BodyScan X® 100w**

**Bench Tanning Lamps - 13 or 16 x BodyScan X® 100w**

**Intensive Facial Tanner - 1 or 3 x Philips Cleo HPA/30 SIV 400W**

(726/1 or 732/3 models only)

**> CLEANING**



Danger of electrocution. Always disconnect main power before cleaning.

Danger of burns. Elements of the unit become hot. Allow the unit to cool before cleaning.

Material Damage. Never clean the unit with scouring cream or aggressive cleaning agents. Do not use disinfectants such as ammonia or similar products. Clean the unit with a damp cloth and recommended cleaners only.

**Cleaning the High Pressure Facial Glass**

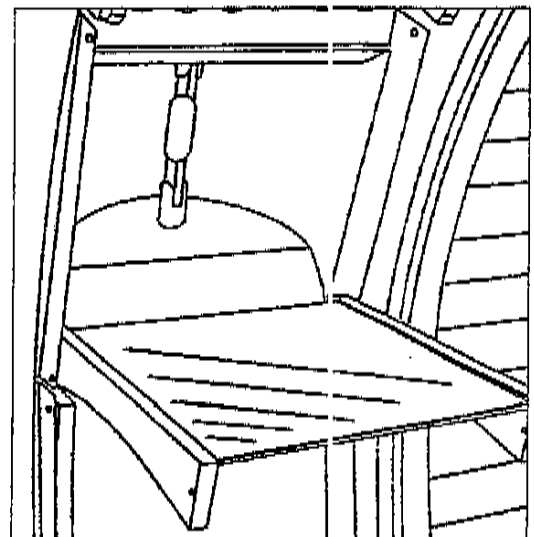
Clean the glass with a damp cloth. Use only recommended cleaners.

- Disengage the lock for the acrylic with the key.
- Now press lightly with the ball of your hand and swivel the glass downwards by the key. (Diagram #12)
- You can now lift out the acrylic. (if desired)

If you only fold out the glass for cleaning instead of removing it, place a cloth on the bed acrylic beforehand to avoid scratching the surface.

- Clean the acrylic and replace it in the reverse order.

DIAGRAM 12





**Cleaning the Acrylic in the Canopy**

Clean the acrylic with a damp cloth and use only recommended cleaners.

- Open the three catches with the aid of a coin, pressing lightly on the glass with the other hand to prevent it from falling onto the bed acrylic.
- Clean the acrylic from both sides and replace it in the reverse order. (Diagram #13, 1)

**Cleaning the Bench Acrylic**

- Open the bed catches with the aid of a coin.
- Then lift the bench acrylic and stand it on its end.
- After cleaning the inside, replace the acrylic, observing that the guide lugs of the acrylic retaining strip are engaged in the provided recesses.
- Then lower the bench acrylic and lock the catches. (Diagram #13, 2)

Operate the unit only when all safety and protective equipment such as the acrylic is reinstalled.

**WARNING!**

If you notice damage to the tanner (filter, acrylic or timer defects) do not operate unit under any circumstances!

**DANGER OF BURNS**

Some parts may be very hot after operation, do not touch.

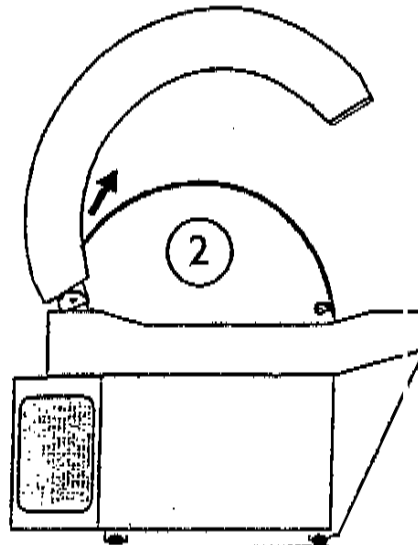
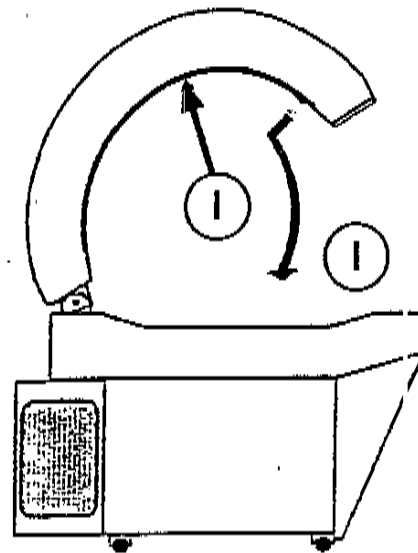


DIAGRAM 13

**> MAINTENANCE**

Your tanning bed will require simple maintenance when necessary to maintain proper operation of the unit. Always ensure that your acrylic shields are clean, otherwise the tanning performance will be reduced. For cleaning, use a soft rag and clean the reflectors, as well as the lamps for dust particles. Do not use alcohol or ammonia based cleaners or any coarse abrasive agents.

- The acrylic shield is a special version with 100% UV remittance ability. If it must be replaced, use only a SonnenBräune certified replacement shield.
- When maintaining operation of the unit, replace only with SonnenBräune certified replacement parts.

**Warning**

SonnenBräune will not be responsible for improperly maintained, old or worn out parts or uncertified replacement parts. Only replace with SonnenBräune certified replacement parts.

**Warning**

SonnenBräune will not be responsible for equipment that has been outfitted without approved SonnenBräune lamps or FDA equivalent.

**SAFETY WARNINGS:  
DURING MAINTENANCE & CARE**

Danger of electrocution. Always disconnect the main power before beginning maintenance work.

Danger of burns. Elements of the unit become hot. Allow the unit to cool completely before performing maintenance work.

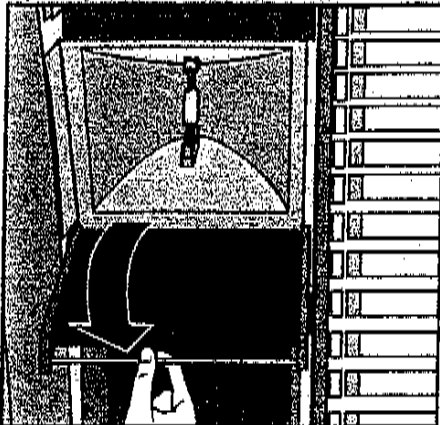
Material Damage. If parts made by other manufacturers are used, this can influence the performance and functions of the unit.

Never use normal florescent lamps in the unit.

Use only original spare parts.

Information on the lamps. The tanning lamps can have different shades of color. After long operation, dark spots can occur at the ends of the lamps. This has no effect of the performance and life of the lamp.

Figure A



### Replacing the High-Pressure Facial Lamps

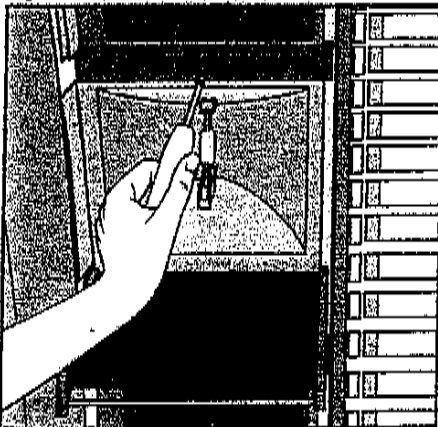
Danger of burns. The high-pressure lamps become very hot. Allow the lamps to cool completely before replacing them.

#### Never operate the facial tanner without facial glass.

- Remove the glass as described in "Cleaning" section of manual.
- Then fold open the facial glass by lightly pulling the plastic strip (see Figure A).
- Press the high-pressure lamp lengthwise against the socket. The sockets are spring loaded and retract.

If the high-pressure lamp needs to be replaced, please use only the same type of lamp.

Figure B



#### To replace:

- Open the filter glass.
- Unscrew the reflector (1 screw) (see Figure B).
- Remove the reflector.
- Pull apart the plug connector (see Figure C).
- Unscrew a wire from the plug connector.

#### Tanning units can become very hot. Allow unit to cool prior to changing facial tanning lamps.

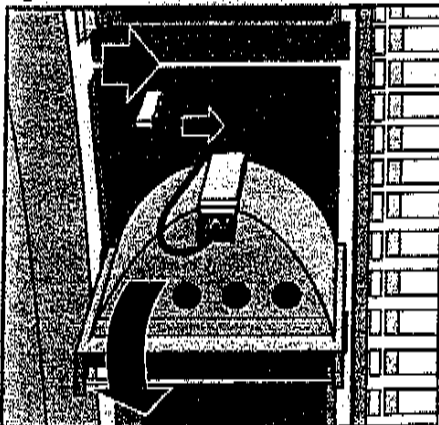
- Remove the lamp from the reflector housing.

When inserting new high-pressure lamps, ensure that you do not touch them with your fingers. To protect the high-pressure lamp, grip it only with a dry cloth.

- Clean dirty high-pressure lamps with recommended cleaners.
- Replace defective high-pressure lamps and return it to the socket.

Assembly is performed in the reverse order.

Figure C



### Replacing the Reflector Lamps

Before beginning to replace the reflector lamps, switch off the unit.

- Fold the canopy open.
- Open the filter flap of the unit case.
- Switch off the main power.

Begin by removing the acrylics as described in chapter "Cleaning" on page 24. The reflector lamps can then be removed by rotating them 90° in either direction (see Figure D).

When inserting the reflector lamps, please observe that the coating points towards the housing; and that the marking on the reflector lamp is aligned with the socket (see Figure E).

Figure D

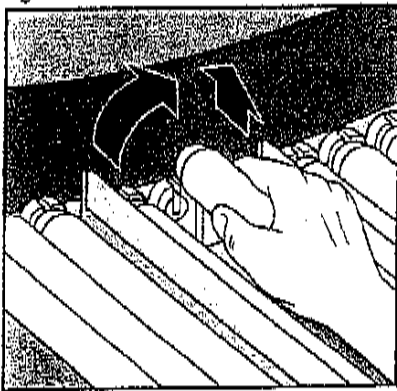
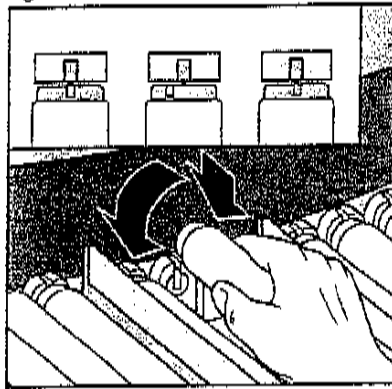


Figure E



## >TROUBLESHOOTING

If your unit does not operate satisfactory, several helpful tips are listed below.

### **What to do when the unit will not start.**

Your SonnenBräune tanning bed has been equipped with certain safety devices that will not allow the unit to operate under certain conditions that may damage your investment. Here is a list of troubleshooting tests in the event your tanning bed will not start.



All electrical testing and installation of parts must be performed by a certified electrical technician. Your electrician should contact SonnenBräune's Service Department prior to making any adjustments.

All repairs must be performed by a SonnenBräune approved electrical technician. All warranty conditions could be voided if this procedure is not followed.

- Check all safety switches and also check the circuit breaker in your breaker panel to make sure it is on.
- Check the On/Off switch on the unit. Make sure it is on.

### **What to do when the tanning bed will not start when the cooling fans are running.**

Your SonnenBraune bed is equipped with a safety device that will not allow the unit to run in the event that the air filtering system becomes clogged with lint or other materials. Prior to notifying your electrician, remove all filters, clean and reinstall. The unit should start at this point. In the event that it does not, call your SonnenBräune service department for further instructions.

### **What to check when one or several lamps do not burn.**

- Turn the power off.
- Remove the acrylic to inspect lamps and connections.
- Check to see if the lamp is properly fitted.
- If it still will not work, replace the defective lamp with a new lamp. If the new lamp lights, it can be assumed that the old lamp is bad.
- If the lamp still doesn't work, contact your SonnenBräune service representative.

### **What to do when you are not satisfied with your tan.**

- Review the exposure schedule on page 21.
- Check the exposure positioning. The distance between the tanning surface and body should be two to four inches. In no event should the exposure position be less than two inches between the body and the tanning surface. However, you may lie directly on the tanning surface of the bench.
- Check your power supply. Refer to page 16, and the section referring to "Electrical Requirements and Connections."
- Review section on "Cleaning and Maintenance" starting on page 23. The tanning performance of your tanning bed will be greatly reduced when these procedures are not followed.
- Check the hours on your lamps. They may need replacing.

## > ENVIRONMENTAL CONSERVATION AND SPARE PARTS

### Disposal

The separate, environmentally compatible disposal of materials or material residues promotes the reuse of valuable materials.

The reflector lamps should not be put in household waste, but should be disposed of separately (special waste). The lamps must not be destroyed before disposal.

The disposal of wastes from private households and the commercial sector is possible through the public special waste collection points.

Information on disposal can be obtained from your waste department.

### Spare Parts

Use only manufacturer approved spare parts as shown on parts list.

If spare parts from other manufacturers are used, this can affect the performance of the unit, and your warranty.

### Please Read:

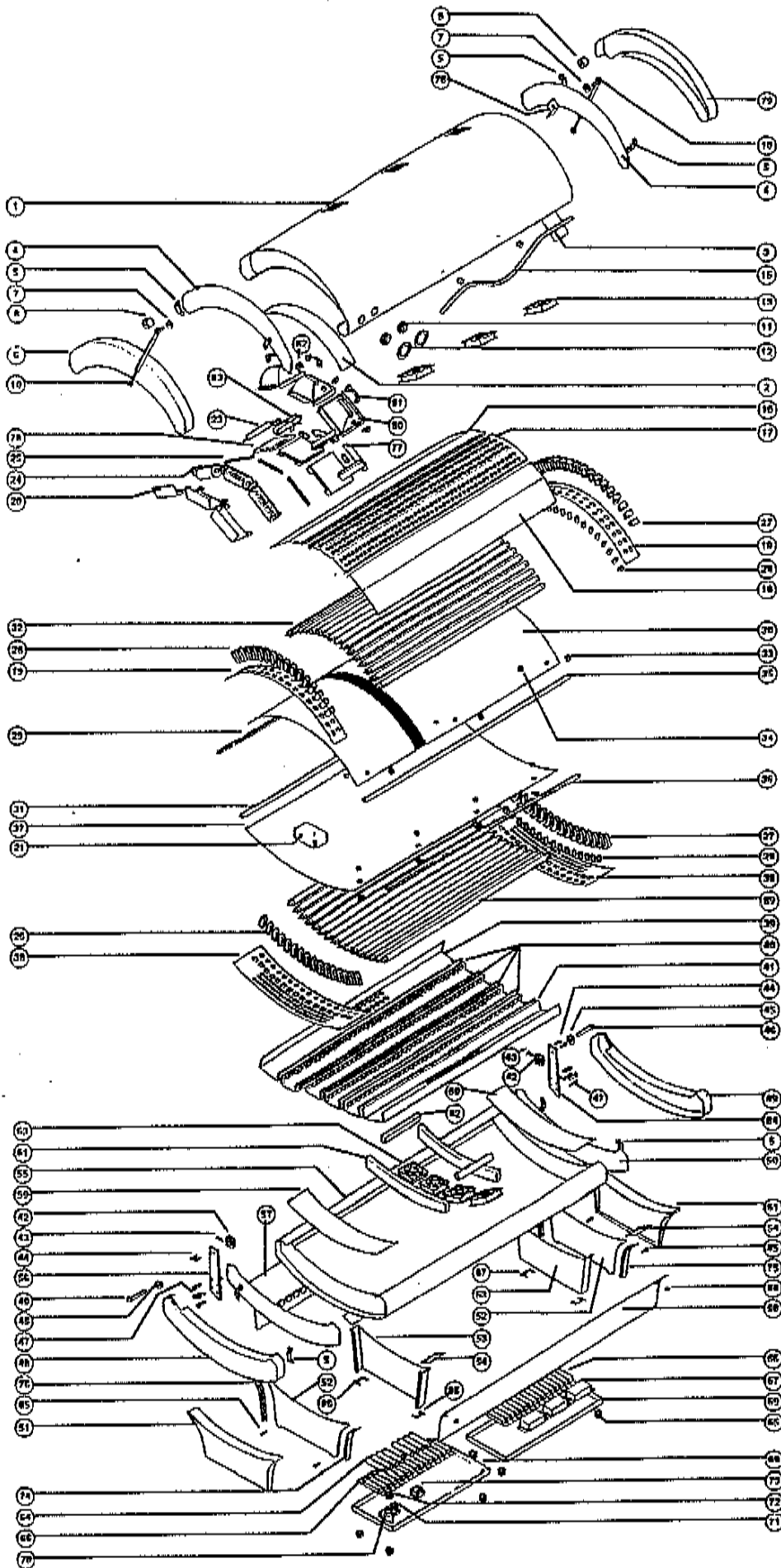
#### > REPAIRS AND WIRING DIAGRAMS

##### Diagram

The following are wiring diagrams that pertain to the BodyScan 3200/3 tanning bed or the Klassik Series beds produced by SonnenBräune. This is meant to be a resource when needed for technical repair. Diagrams are subject to change without notice, nor is notification to previous owners the responsibility of SonnenBräune, Inc.



**DO NOT ATTEMPT TO REPAIR** your SonnenBräune bed without first notifying your distributor or the SonnenBräune Service Center so an evaluation of electrical service may be determined. Provide this diagram to the certified technician if necessary.



SonnenBräune's tanning beds incorporate a comprehensive program for service to keep your bed up and running with as little down time as possible. The schematic to the left is an explosion of your bed\* to help you better pinpoint parts for reorder. Please refer to the list on the next page when calling your distributor or SonnenBräune's service center.

By referring to parts as they are named and numbered on the list, we can process your order quicker for shipment.

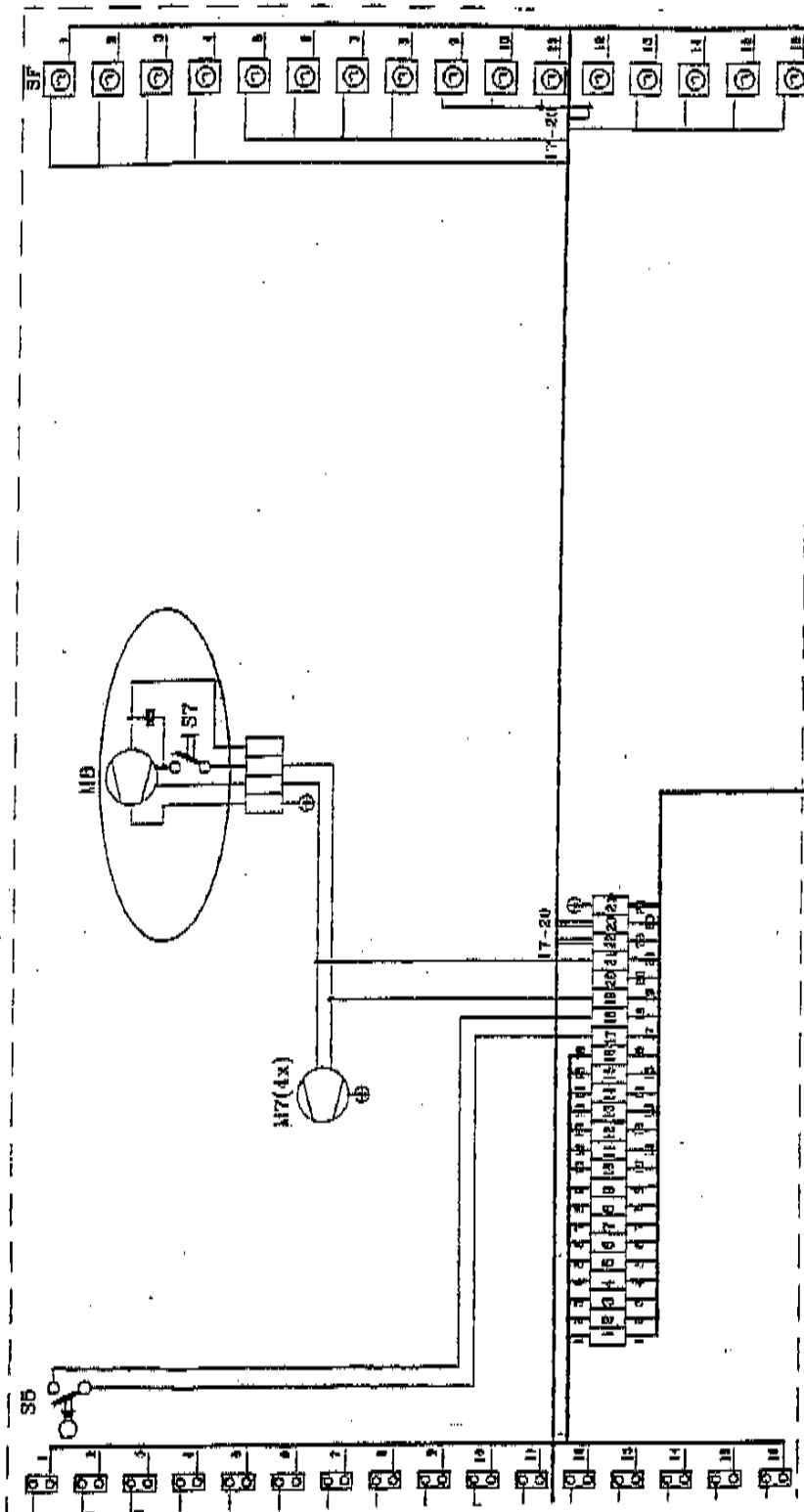
\* Please note that some models may not include the facial tanner parts shown here.

REF.#	PART #	PART NAME	REF.#	PART #	PART NAME
1	144359005	CANOPY	63	8460B	BOX FAN
2	144359012	METAL DECK PLATE - CANOPY	64	1023	CAPACITOR
3	144359011	METAL DECK PLATE - CANOPY	65	NO#	CASTER
4	144359006	METAL END PLATE - CANOPY	66	2188	BALLAST, 100W
5	143265023	METAL MOUNT FOR END CAP	67	11097	BALLAST, 500/400/300W - FACIAL
6	144359001	END CAP, CANOPY - LEFT	68	143268017	LEGS FOR BALLAST TRAY
7	144359033	PISTON MOUNTING WASHER	69	143265026	BALLAST TRAY SHEET
8	144359032	PISTON MOUNTING DISK	70	143197097	MNT. BRACKET, HOUR METER
10	850N	PISTON 850N	71	NO#	SWITCH FOR BALLAST TRAY
11		ON/OFF SWITCH	72	NO#	HOUR METER
12		SWITCH FRAME	73	1014	CONTACTOR
13	8460B	BOX FAN, 230 VOLT	74	143266009	FACADE MOUNT NG PLATE
14	144359034	SPACER FOR HANDLE	75	143266010	FACADE MOUNT NG PLATE
15	144359029	HANDLE	76	144359037	PISTON BRACE
16	144359020	REFLECTOR, CANOPY - BACK	77	144354038	FACIAL BUCKET BRIDGE - FRONT
17	144359019	REFLECTOR, CANOPY	78	NO#	FACIAL MOUNTING KIT
18	144359018	REFLECTOR, CANOPY - FRONT	79	144359002	END CAP, CANOPY - RIGHT
19	144359010	LAMP BRIDGE, CANOPY	80	NO#	FACIAL REFLECTOR BUCKET
20	1443590329	FAN MOUNT	81	NO#	LIGHT, DOUBLE FRAME
21	207	HEAD CUSION	82	4202	IGNITOR, 100-400 V
22	F4W	LAMP, FACIAL - 100W - 400W	83	144359035	FACIAL BUCKET BRIDGE - MIDDLE
23		FACIAL BUCKET BRIDGE, BACK	84	144359021	HINGE ARM - RIGHT
24		FACIAL FAN, BACK	85	NO#	SCREW
25		PROTECTIVE PROFILE	86	NO#	PROTECTIVE PAD FOR LEG
26	12888	LAMP SOCKET W/O STARTER	88	NO#	FLATHEAD MOUNTING SCREW
27	12889	LAMP SOCKET WITH STARTER	89	NO#	LAMP
28	SBK12	STARTER, K12			
29	144284022	PROFILE FASTENING			
30	144359017	ACRYLIC SHIELD, CANOPY			
31	1443269009	ACRYLIC HINGE, BENCH			
32		LAMP			
33	144282037	ACRYLIC CAM LOCK			
34	144307057	ACRYLIC CAM LOCK SCREW			
35	143252018	ACRYLIC RETAINING STRIP			
36		PROFILE FOR CHAULKING			
37	732BA	ACRYLIC SHIELD, BENCH			
38	143265013	LAMP BRIDGE, BENCH - FOOT			
39	144363017	REFLECTOR, BENCH - BACK			
40	1443265015	REFLECTOR, BENCH - MIDDLE			
41	143265014	REFLECTOR, BENCH - FRONT			
42	144320014	BRAKE, WHITE			
43		SCREW,			
44		SCREW			
45		WASHER			
46		PISTON MOUNTING BOLT			
47		SCREW			
48	143265001	END CAP, BENCH - FOOT			
49	143265002	END CAP, BENCH - FOOT			
50	143265008	END PLATE, BENCH - FOOT			
51	143266001	LEG END CAP, LEFT			
52	143266004	LEG, OUTER			
53	143266005	LEG, INNER			
54	143266006	LEG REINFORCEMENT PLATE			
55	143265018	BENCH SHELL			
56	144359022	HINGE ARM - LEFT			
57	143266012	FACADE, BACK			
58	143266013	FACADE, FRONT			
59	143265012	METAL DECK PLATE, BENCH			
60	143269003	METAL DECK PLATE, BENCH			
61	143262006	BENCH REFLECTOR SUPPORT			
62		AIR FLOW DIRECTOR			

Refer to illustration on previous page to visually identify the part you need to replace or repair.



Bench Wiring Diagram • BodyScan 3200/3 & Klassik 732/3



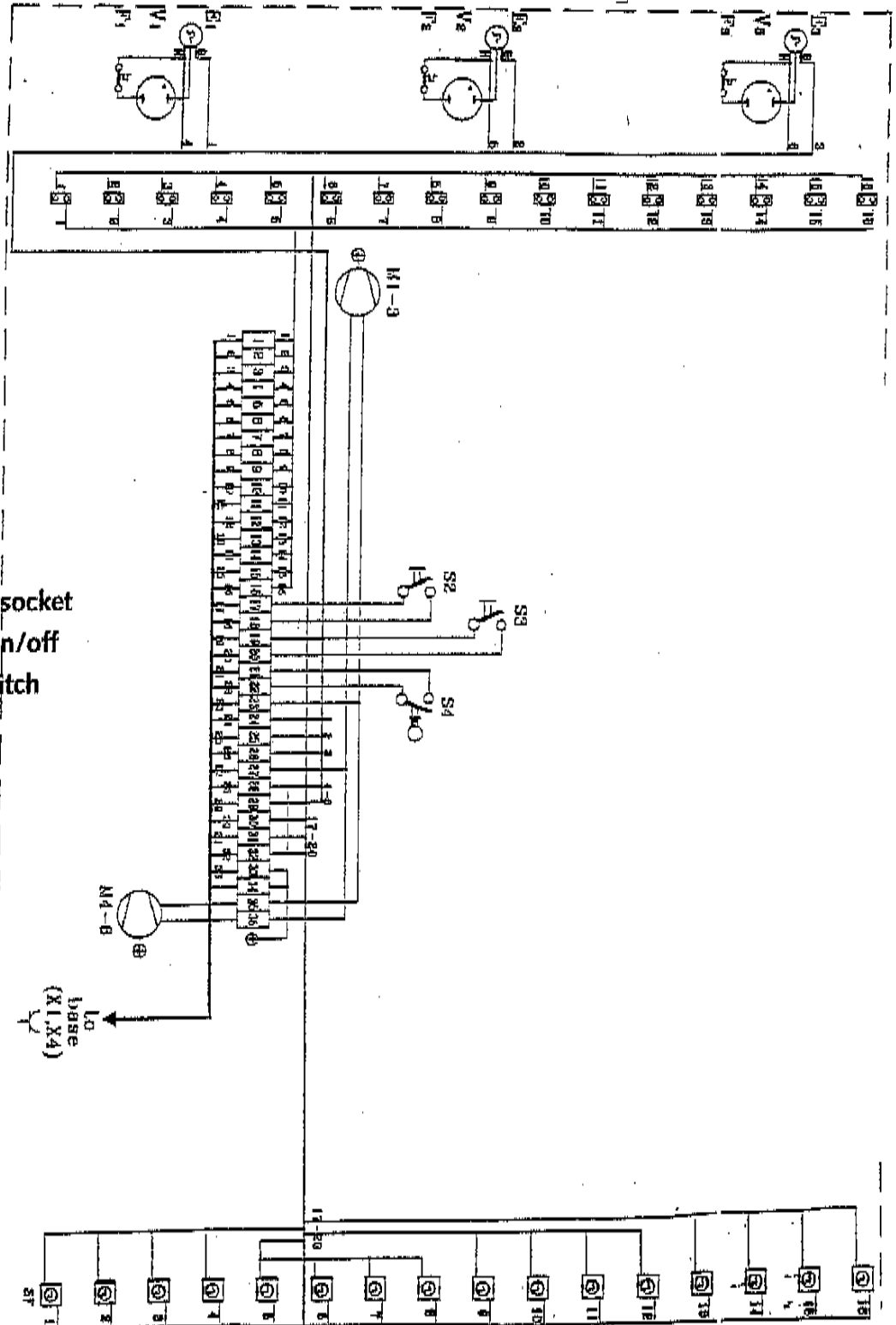
RU Bench

- M7 Unitfan
- M8 Bodyfan
- SF Lamp - startersocket
- S5 Interlock
- S7 Fan switch

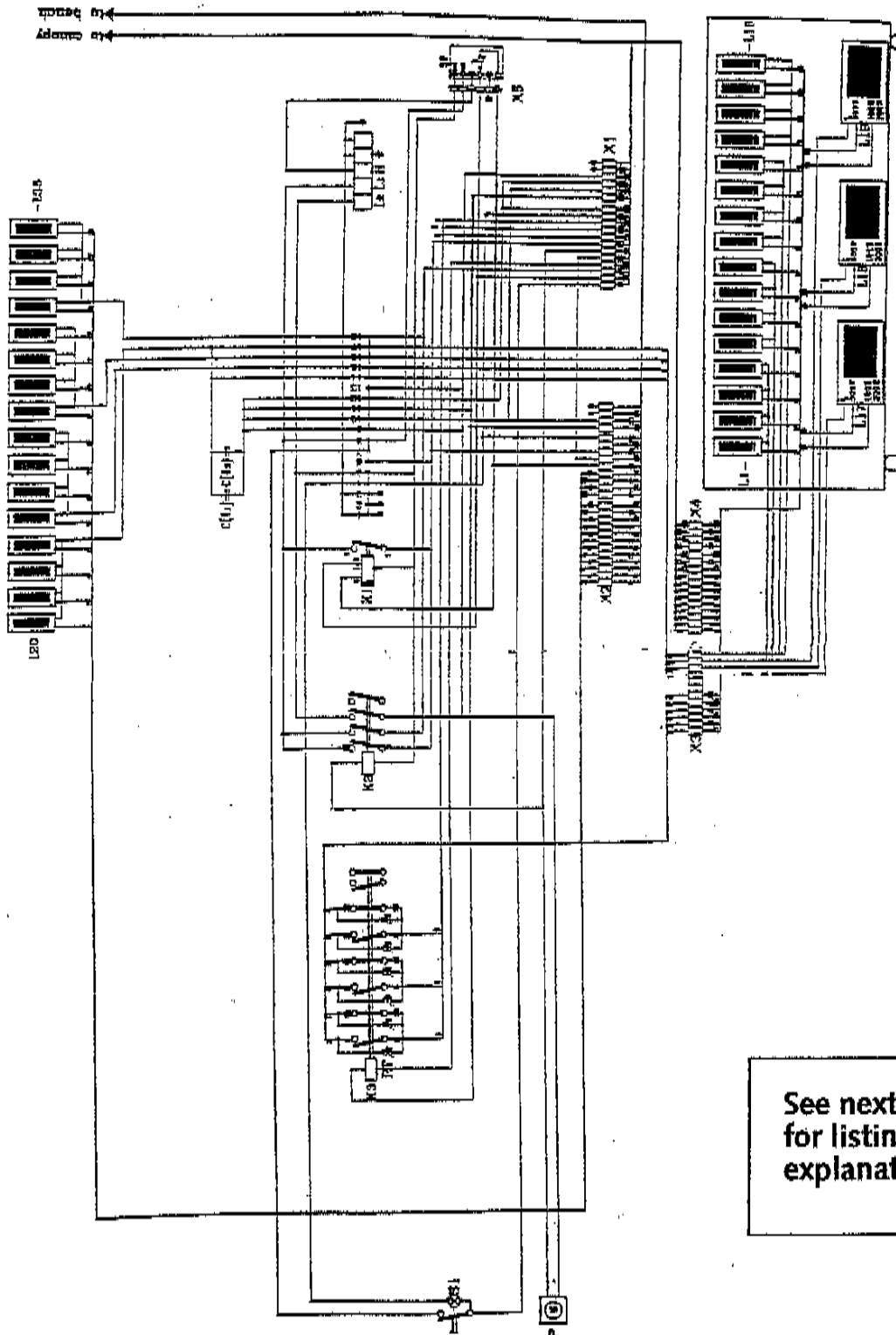
Canopy Wiring Diagram • BodyScan 3200/3 & Klassik 732/3

RU Canopy

- E Ignition
- F Thermostat
- M1-6 Unitfan
- SF Lamps - startersocket
- S2 Switch lamps on/off
- S3 Face tanner switch
- S3 Interlock
- V Face tanner



Explanations Diagram • BodyScan 3200/3 & Klassik 732/3

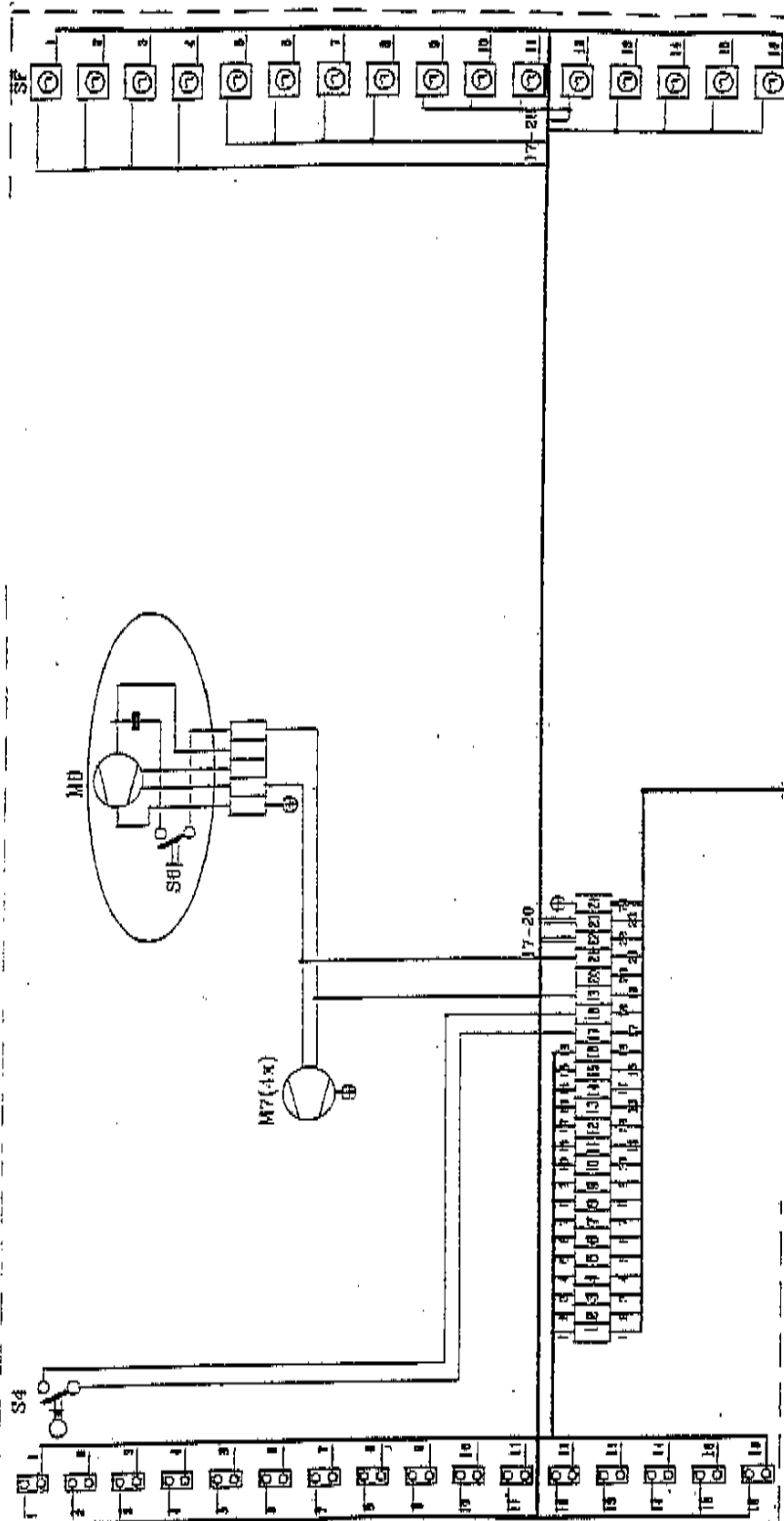


See next page  
for listing of  
explanations.

## Explanations Listing • BodyScan 3200/3 & Klassik 732/3

- C Capacitor
- E Ignition
- F Thermostat
- K1 Relay for fan time
- K2 Main relay
- K3 Relay for face tanner
- L1-16 Ballasts 100W (Canopy)
- L17-19 Ballasts 300 - 500W
- L120-35 Ballasts 100W (Bench)
- M1-6 Unit fans (Canopy)
- M7 Unit fans (Bench)
- M8 Body fan (Bench)
- P Hour meter
- RT Special resistor
- S1 Main switch
- S2 Switch On/Off
- S3 Switch for face tanner
- S4,5 Interlock
- S6 Tokentimer
- S7 Fan switch (Bench)
- SF Lamp / Startersockets
- X1,4 Socket for base - canopy
- X2 Socket for base - bench
- X3 Socket for base - ballasts (canopy)
- X5 Socket for token timer connection
- V Face tanner

# Bench Wiring Diagram • Klassik 732

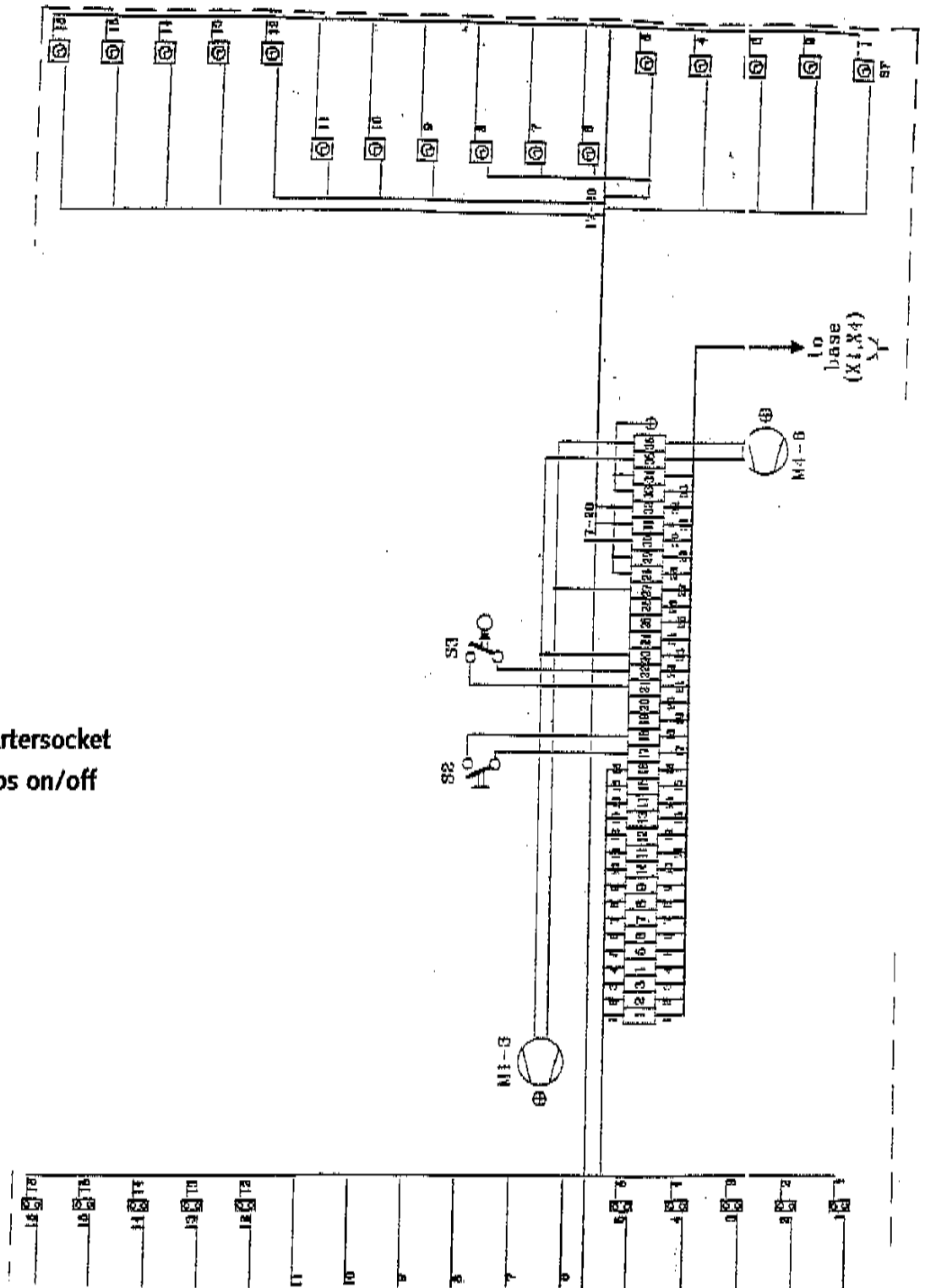


RU 732 Bench

- M7 Unitfan
- M58 Bodyfan
- SF Lamp startersocket
- S4 Interlock
- S6 Fan switch

to base (X2)

# Canopy Wiring Diagram • Klassik 732



RU 732 Canopy

M1-6 Unitfan

SF Lamps - startersocket

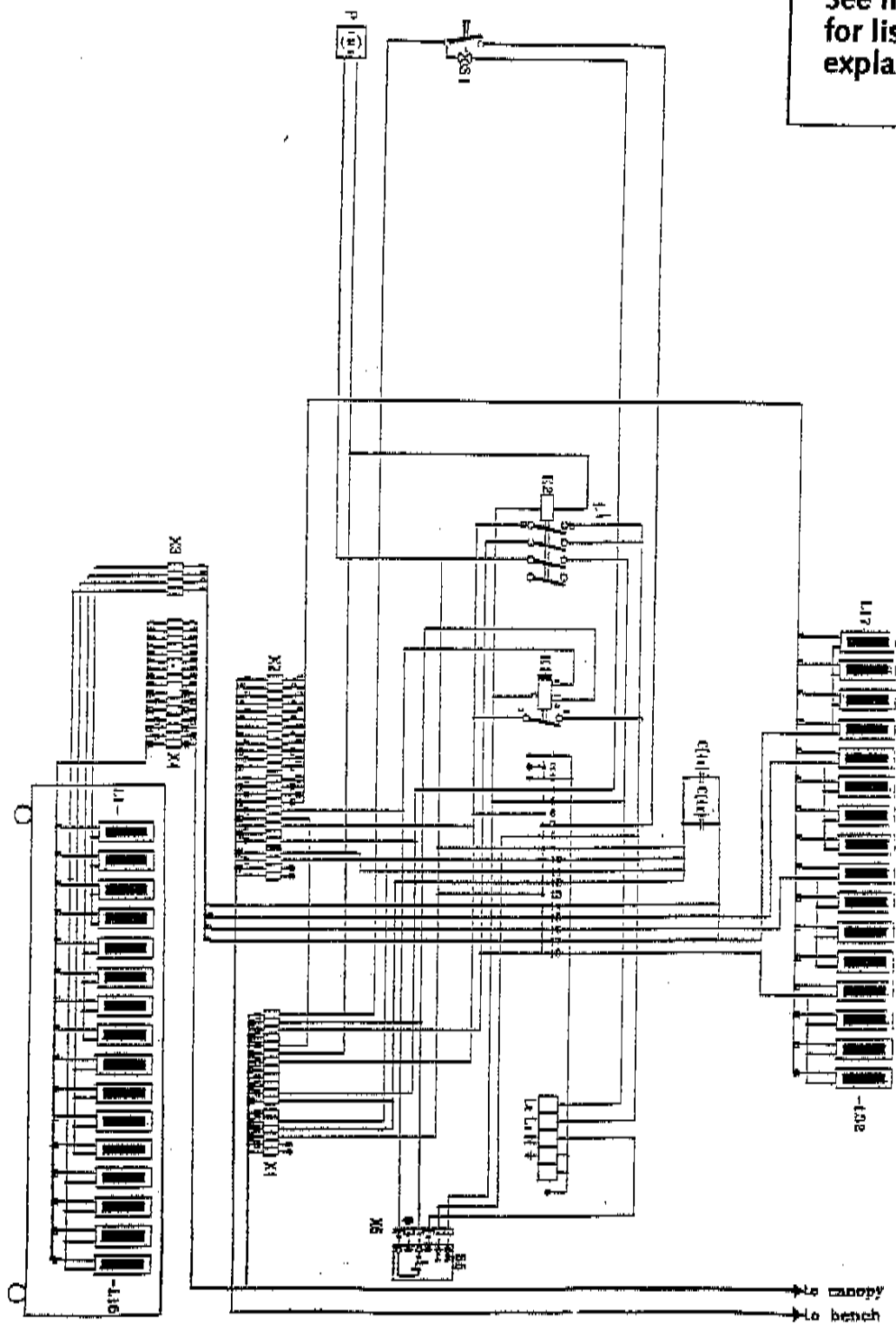
S2 Switch lamps on/off

S3 Interlock



# Explanations Diagram • Klassik 732

See next page  
for listing of  
explanations.

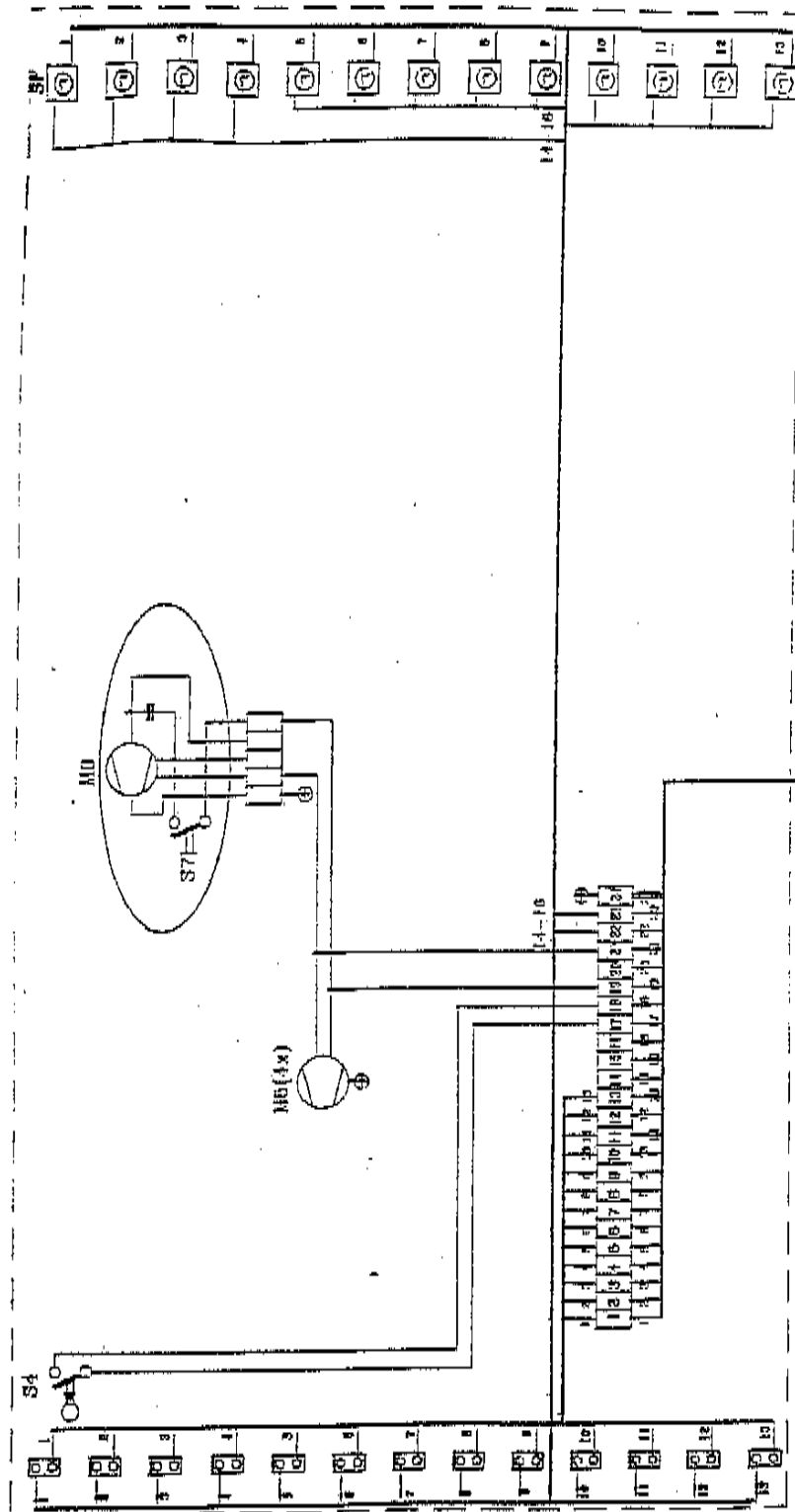




## Explanations Listing • Klassik 732

- C Capacitor
- K1 Relay for fantime
- K2 Main relay
- L1-16 Ballasts 100W (Canopy)
- L17 - 32 Ballasts 100W (Bench)
- M1-6 Unit fans (Canopy)
- M7 Unit fans (Bench)
- M8 Body fan (Bench)
- P Hour meter
- S1 Main switch
- S2 Switch On/Off
- S3,4 Interlock
- S5 Tokentimer
- S6 Fan switch (Bench)
- SF Lamp / Startersockets
- X1,4 Socket for base - canopy
- X2 Socket for base - bench
- X3 Socket for base - ballasts (canopy)
- X5 Socket for token timer connection

# Bench Wiring Diagram • Klassik 726/1

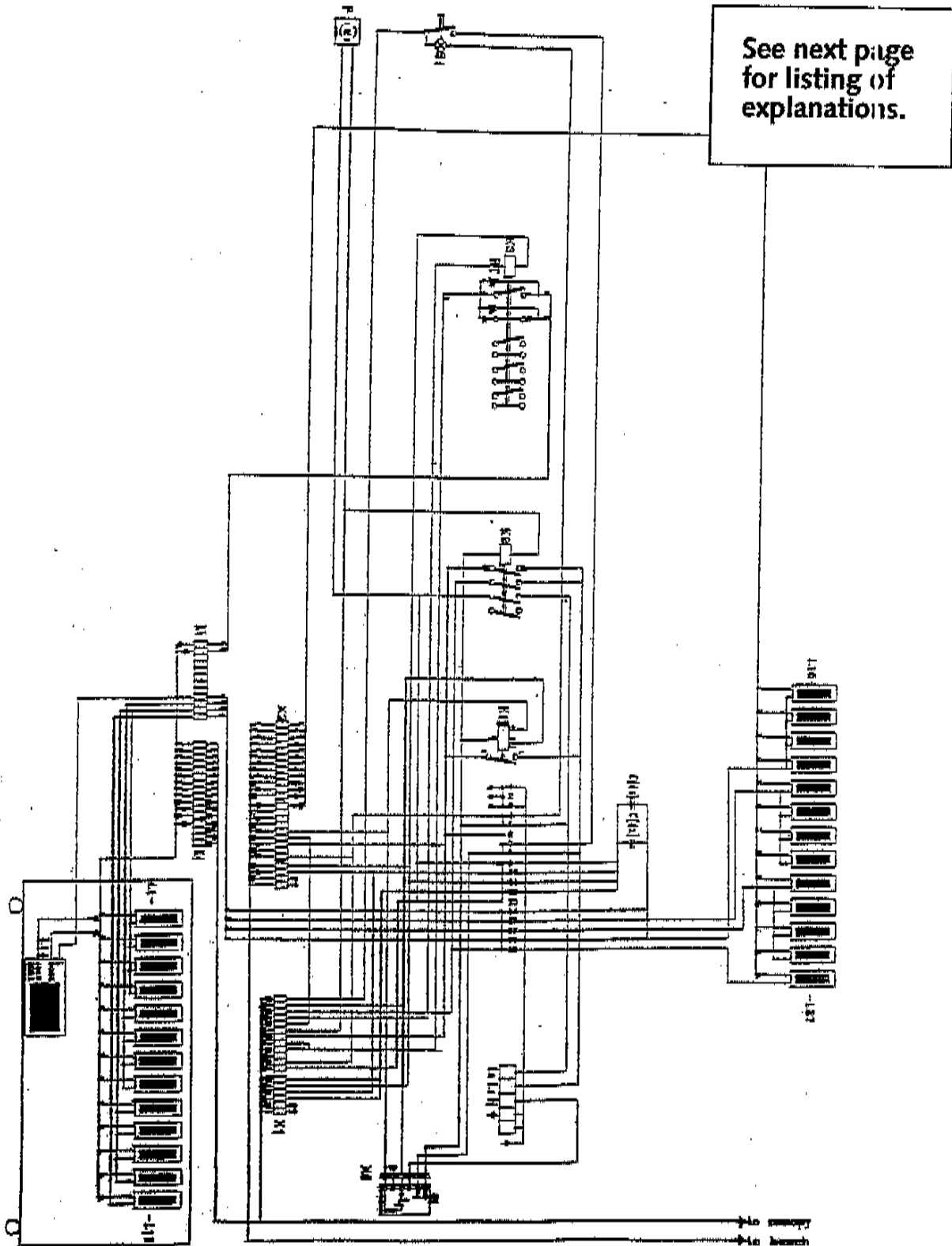


RU 726/1 Bench

- M5 Unitfan
- M6 Body fan
- SF Lamp - startersocket
- S4 Interlock
- S6 Fan switch



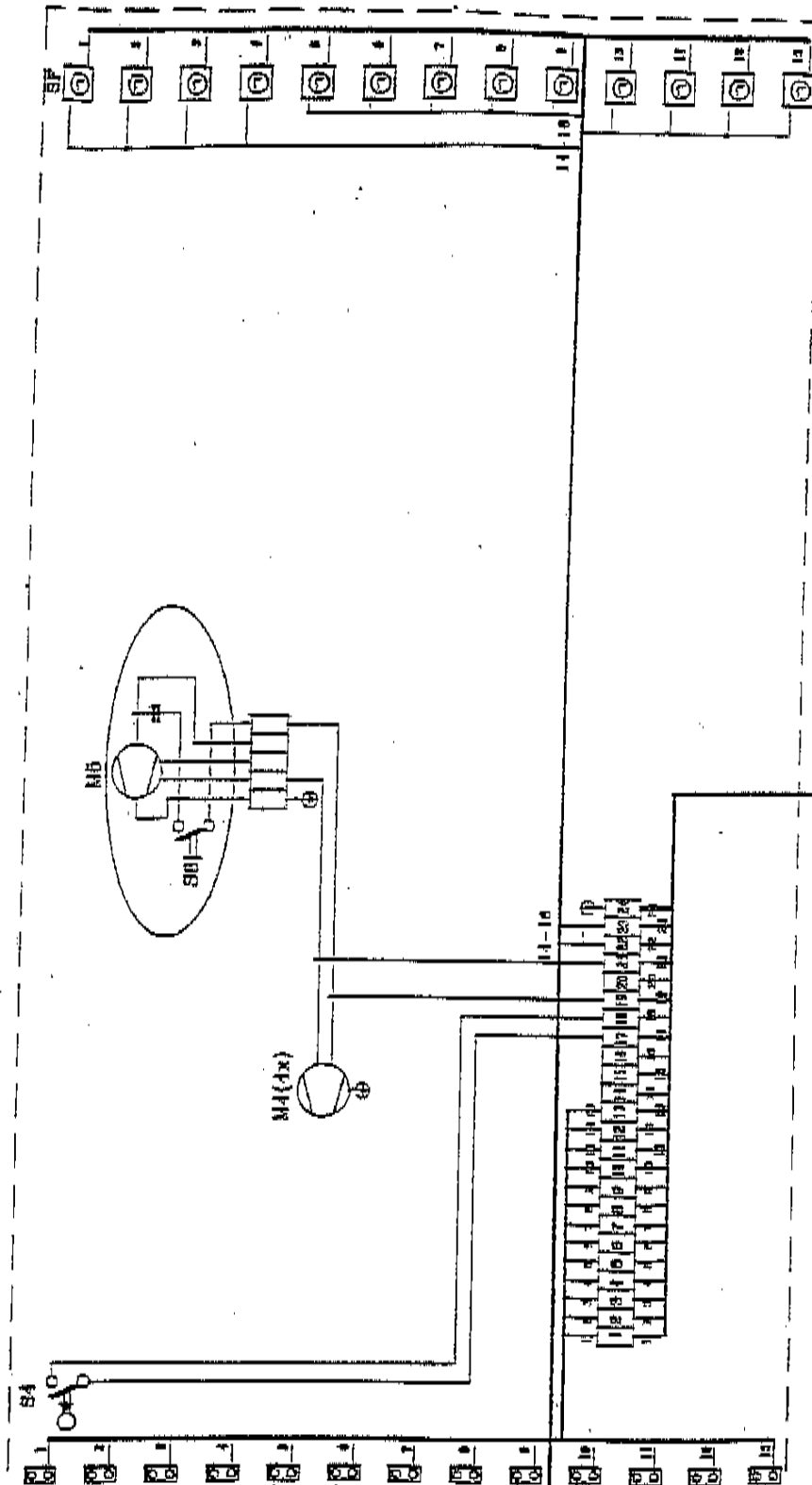
# Explanations Diagram • Klassik 726/1



## Explanations Listing • Klassik 726/1

C	Capacitor
E	Ignition
F	Thermostat
K1	Relay for fan time
K2	Main relay
K3	Relay for face tanner
L1-13	Ballasts 100W (Canopy)
L14	Ballasts 300 - 500W
L15 - 27	Ballasts 100W (Bench)
M1-4	Unit fans (Canopy)
M5	Unit fans (Bench)
M6	Body fan (Bench)
P	Hour meter
RT	Special resistor
S1	Main switch
S2	Switch On/Off
S3	Switch for face tanner
S4,5	Interlock
S6	Token timer
S7	Fan switch (Bench)
SF	Lamp / Startersockets
X1,4	Socket for base - canopy
X2	Socket for base - bench
X3	Socket for base - ballasts (canopy)
X5	Socket for token timer connection
V	Face tanner

# Bench Wiring Diagram • Klassik 726



RRU 726 Bench

- M4 Unitfan
- M5 Bodyfan
- SF Lamp - startersocket
- S4 Interlock
- S6 Fan switch

# Canopy Wiring Diagram • Klassik 726

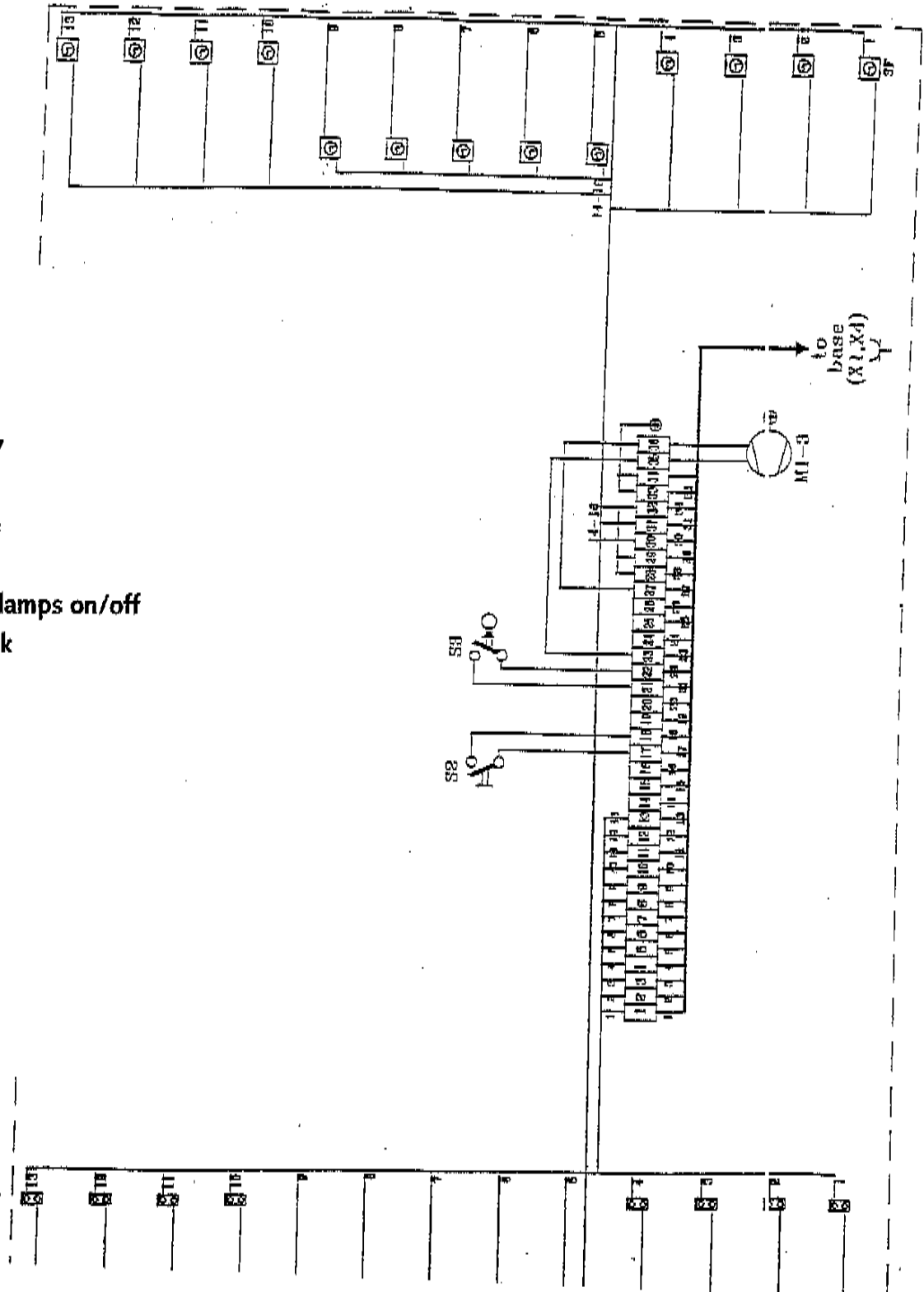
U 726 Canopy

M1-3 Unitfan

SF Lamps

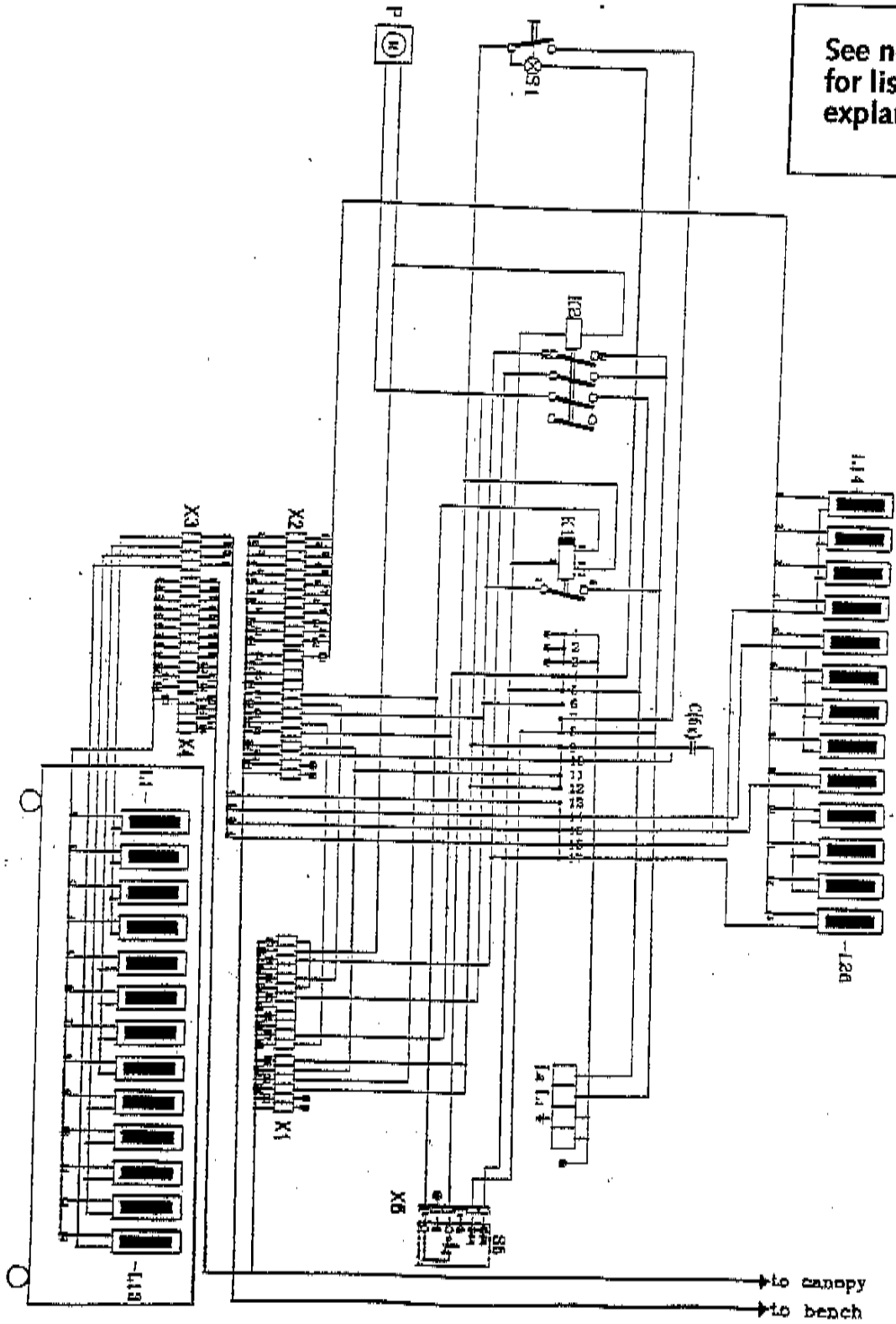
S2 Switch lamps on/off

S3 Interlock



# Explanations Diagram • Klassik 726

See next page  
for listing of  
explanations.





## Explanations Listing • Klassik 726

- C Capacitor
- K1 Relay for fan time
- K2 Main relay
- L1-13 Ballasts 100W (Canopy)
- L14 - 26 Ballasts 100W (Bench)
- M1-6 Unit fans (Canopy)
- M7 Unit fans (Bench)
- M8 Body fan (Bench)
- P Hour meter
- S1 Main switch
- S2 Switch On/Off
- S3,4 Interlock
- S5 Tokentimer
- S6 Fan switch (Bench)
- SF Lamp / Startersockets
- X1,4 Socket for base - canopy
- X2 Socket for base - bench
- X3 Socket for base - ballasts (canopy)
- X5 Socket for token timer connection

**> WARNING!**

SonnenBräune will not be responsible for improperly maintained, old or worn out parts or uncertified replacement parts. Only replace with SonnenBräune certified replacement parts.

- Please check the condition and tightness of all bolts, nuts and screws, piston clips, etc. once a month.
- Cleaning your sunbed as part of regular maintenance will ensure your clients' comfort as well as increase the life of the equipment.
- Visually inspect your tanning bed for cracked or broken acrylics as well as the function of the canopy (raising and lowering) between every session.

If for any reason, you encounter technical problems, please call your distributor for assistance. If further customer assistance is needed, call SonnenBräune, Inc. at 800-829-6533.

**Commercial Warranty and Limitation of Liability**

SonnenBräune tanning equipment carries a warranty to the original purchaser for a period of thirty six (36) months following the purchase for all parts excluding lamps, pistons, acrylics and starters. SonnenBräune will provide free labor to repair or to replace defective parts for a period of ninety (90) days following the purchase.

Damage resulting from purchaser's negligence or use contrary to published instructions is specifically excluded from warranty coverage. Purchaser must place equipment in an area which conforms to SonnenBräune publish space, electrical and environmental requirements, and the equipment must not be altered in any fashion or serviced by anyone other than SonnenBräune or other authorized service representatives, as this would void such warranty.

SonnenBräune shall in no event be liable for any damage, direct, indirect or consequential, including any economical loss, loss of property, loss of revenues or profits or costs of removal and installation beyond the terms of this warranty. In any and all cases any liability of SonnenBräune shall be confined to the replacement of defective and nonconforming parts or lamps.

This warranty is in lieu of all warranties expressed or implied, and no representative or persons authorized to assume for SonnenBräune any other liability in connection with the sale, installation, or service of our products.

For more detailed information on the limited warranty covering your new SonnenBräune tanning bed, please refer to the warranty card enclosed herein.

If any servicing or replacement parts are required, call your distributor or the SonnenBräune Customer Service Center.

SonnenBräune, Inc.  
6362 Battlefield Parkway, Ringgold, GA 30736  
800-829-6533 or fax 706-937-5609

**Certification:**  
SonnenBräune tanning equipment complies with Sunlamp Product Performance Standard 21 CFR Subchapter J.

**BODYSCAN 3200/3 & KLASSIK SERIES • SonnenBräune, Inc.**

---

SonnenBräune, Inc.  
6362 Battlefield Parkway  
Ringgold, Georgia 30736 USA

800-829-6533 or 706-937-2005  
Fax 706-937-5609

email: [sales@sonnenbraune.com](mailto:sales@sonnenbraune.com)  
web: [www.sonnenbraune.com](http://www.sonnenbraune.com)

Ricky W. Gray, President  
Louise Gray, Vice President  
Jim L. Jones, Executive Sales Manager

For information about SonnenBräune's world wide distributor network and contacts, please see our web site on the distributor locator page.  
[www.sonnenbraune.com](http://www.sonnenbraune.com)