

# Heartland

America's best tan

4251 N.E. Port Drive  
Lee's Summit, MO 64064  
800-554-8268



## 164 and 164/4 Owner & Assembly Manual

Les Spécifications Françaises Enclos

# Table Of Contents

<b>3</b>	<b>.....</b>	<b>Welcome</b>
<b>4 - 6</b>	<b>.....</b>	<b>164 Specifications/Exposure Schedule</b>
<b>7 - 9</b>	<b>.....</b>	<b>164/4 Specifications/Exposure Schedule</b>
<b>10</b>	<b>.....</b>	<b>Warnings And Cautions</b>
<b>11</b>	<b>.....</b>	<b>Repairs</b>
<b>11</b>	<b>.....</b>	<b>Service</b>
<b>11</b>	<b>.....</b>	<b>Replacement Parts And Lamps</b>
<b>11</b>	<b>.....</b>	<b>Eye Protection</b>
<b>12</b>	<b>.....</b>	<b>Care And Cleaning</b>
<b>13 - 14</b>	<b>.....</b>	<b>Relamping</b>
<b>15</b>	<b>.....</b>	<b>Facial Relamping</b>
<b>16 - 23</b>	<b>.....</b>	<b>Timer System</b>
<b>24 - 36</b>	<b>.....</b>	<b>164 and 164/4 Assembly Instructions and Wiring</b>
<b>37</b>	<b>.....</b>	<b>Limited Warranty</b>

# Welcome

Dear Valued Customer:

Congratulations! You have just purchased one of the finest pieces of tanning equipment available to the indoor tanning industry. We at Heartland Tanning, Inc. sincerely appreciate your business.

The 164 Tanning Bed Series is manufactured right here in the heart of our country. Our tanning beds are constructed of 12GAUGE solid steel and are designed to hold up under heavy use. We have confidence in our beds and that is why the 164 is backed by Heartland's unprecedented 3 year limited warranty. Designed to be user friendly, the beds are easy to assemble and easy to maintain.

Please read your owner & assembly manual thoroughly prior to the first use of your new 164 tanning bed.

Heartland Tanning, Inc.  
4251 N.E. Port Drive  
Lee's Summit, MO 64064  
1-800-554-8268

# America's best tan™

**NOTICE: Any misuse, abuse, modifications, alteration, improper installation, etc. of this product or its intended use will subject said party to direct responsibility for any and all consequences resulting from such action. Furthermore, such actions will void all warranties and may relieve Heartland Tanning, Inc. of any liabilities relating to said product.**

# SPECIFICATIONS

## 164

LENGTH:	87.5"L X 55"W
WEIGHT:	1352LBS
NUMBER OF LAMPS:	44
ELECTRICAL DRAW:	50AMPS @ 220VOLTS*
CIRCUIT REQUIRED:	220VOLTS, with ground, 60AMP Breaker

\*NOTE: Amperage will vary depending on voltage.

MELANIN - The brownish pigment produced by special cells in the base layer of the skin determines the individual's tan. As the skin is exposed to the ultraviolet light, the melanin is activated and combines with protein cells that rise to the skin's surface, thus producing a tan. The amount of melanin in your body determines how quickly and dark you tan. The more melanin produced and exposure time an individual has, the faster and deeper the individual will tan.

## NOTE:

The tan produced by the 164 is a deep, rich "COSMETIC" tan. However, regardless of how dark an individual may tan on this system, it will not provide adequate protections against overexposure to natural sunlight or UVB tanning systems.

- SKIN TYPE II - This is the individual that usually burns easily and severely, tans minimally or lightly and peels
- SKIN TYPE III - Often referred to as "AVERAGE" complexion. burns moderately and tans about average
- SKIN TYPE IV - This individual burns minimally, tans easily and above average with each exposure
- SKIN TYPE V - This individual rarely burns, tans easily and substantially

## IMPORTANT NOTE:

Customers that wear contact lenses, should be made aware that the heat and ventilation wind may dry out their contacts and should be removed prior to the session.

Use only creams, oils or lotions (particularly suntan lotions) that are recommended by Heartland Tanning, Inc. Equally important - many facial makeups have oil bases and sun block should be removed prior to a session.

It is recommended that following a tanning session, a skin moisturizer be applied. This promotes a smoother, more even looking tan.

# EXPOSURE TIME AND FREQUENCIES 164

**DANGER - ULTRAVIOLET RADIATION.** Follow instructions. Avoid overexposure. As with natural sunlight, overexposure can cause eye and skin injury and allergic reactions. Repeated exposure may cause premature aging of the skin and skin cancer. **Wear protective eyewear; failure to may result in severe burns or long-term injury to eyes.**

Medications or cosmetics may increase your sensitivity to the ultraviolet radiation. Consult physician before using sunlamp if you are using medications or have a history of skin problems or believe yourself especially sensitive to sunlight. If you do not tan in the sun, you are unlikely to tan from the use of this product.

This system is intended to be used only with Cosmolux® VHR™ 200 16220/180W lamps.

## Questions on Sales or Service

Follow recommended exposure schedule for the skin type.  
**Heartland Tanning, Inc. • Lee's Summit, MO • 1-800-554-8268**

<b>RECOMMENDED EXPOSURE SCHEDULE</b>					
<b>Skin Type</b>	<b>Week1 1st - 3rd Treatments</b>	<b>Week2 4th - 6th Treatments</b>	<b>Week 3 7th - 10th Treatments</b>	<b>Week 4 11th - 15th Treatments</b>	<b>Weekly Subsequent Treatments</b>
II - Fair	2MINUTES	3MINUTES	5MINUTES	9MINUTES	12MINUTES
III - Average	2MINUTES	3MINUTES	5MINUTES	9MINUTES	12MINUTES
IV - Brown	2MINUTES	5MINUTES	7MINUTES	11MINUTES	12MINUTES
V - Dark Brown	2MINUTES	5MINUTES	7MINUTES	12MINUTES	12MINUTES
<b>MAXIMUM EXPOSURE TIME IS 12 MINUTES</b>					
This product is in conformity with performance standards for sunlamp products under CFR 21 Part 1040					

This unit utilized UVA lamps. **Replace only with Cosmolux® VHR™ 200 16220/180W lamps.** The minimum exposure position is .5 inches (1.27 cm) from the lamps surface (preset by the mfg.). Read the instruction booklet before using this device. To use, lie down under canopy and pull down as far as adjustment will allow.

**CAUTION: THE USE OF ANY OTHER POSITION MAY RESULT IN OVEREXPOSURE.**

Tanning can begin on a regular basis. An appearance of tanning normally appears after a few exposures and maximizes after four (4) weeks of exposure. **Use protective eyewear** whenever equipment is energized. Read the instruction booklet before using.

# Caractéristiques

## OVATION<sup>MC</sup> 164

longueur :	87,5 pouces par 55 pouces
hauteur :	41 pouces (avec le couvercle fermé)
poids d'expédition :	1352 livres
nombre de lampes :	44
aspiration électrique :	50 ampères à 220 volts*
circuit requis :	220 volts, double poteau, briseur de de 60 ampères, avec disjoncteur différentiel, briseur de 20 ampères

\*NOTE: Amperage will vary depending on voltage.

**DANGER – RAYONNEMENT ULTRAVIOLET.** Suivez les instructions. Évitez la surexposition. Comme avec les rayons naturels du soleil, la surexposition peut causer dommage aux yeux et à la peau et des réactions allergiques. L'exposition répétée peut causer le vieillissement prématuré de la peau et du cancer de la peau. **Portez des lunettes protectrices; le non-respect de cette consigne peut entraîner de graves brûlures ou des lésions oculaires à long terme.**

Les médicaments ou les produits de beauté peuvent augmenter votre sensibilité au rayonnement ultraviolet. Consultez un médecin avant d'utiliser la lampe solaire si vous utilisez des médicaments ou avez une histoire des problèmes de peau ou croyez-vous particulièrement sensibles aux rayons du soleil. Si vous ne bronzez pas au soleil, il est peu probable que vous bronzez avec l'utilisation de ce produit.

Questions au sujet des ventes ou de service : Heartland Tanning, Inc. • Lee's Summit, MO – 1-800-554-8268

Suivez le programme recommandé d'exposition pour le type de peau.

Cette appareil utilise des lampes de l'ultra-violet A. Remplacez seulement avec les lampes de marque **Cosmolux<sup>®</sup> VHR<sup>TM</sup> 200 16220/180W**. La position minimum d'exposition est à 0,5 pouces (1,27 cm) de la surface de la lampe (instituez par le fabricant). Lisez le livret d'instruction avant d'utiliser ce dispositif. Pour utiliser, couchez-vous sous l'écran et

abaissez dans la mesure où le réglage laissera. **ATTENTION : L'UTILISATION DE N'IMPORTE QUELLE AUTRE POSITION PEUT AVOIR COMME CONSÉQUENCE LA SUREXPOSITION.**

Le bronzage peut commencer de façon régulière. Un aspect de bronzage normalement apparaît après quelques exposi-

<b>Horaire d'exposition recommandé</b>					
Type de peau	Semaine 1 1er – 3e Traitements	Semaine 2 4e – 6e Traitements	Semaine 3 7e – 10e Traitements	Semaine 4 11e – 15e Traitements	Bihebdomadaire Traitements subséquents
II – Claire	2 MINUTES	3 MINUTES	5 MINUTES	9 MINUTES	12 MINUTES
III – Moyen	2 MINUTES	3 MINUTES	5 MINUTES	9 MINUTES	12 MINUTES
IV – Foncé	2 MINUTES	5 MINUTES	7 MINUTES	11 MINUTES	12 MINUTES
V – Très foncé	2 MINUTES	5 MINUTES	7 MINUTES	12 MINUTES	12 MINUTES

**LE TEMPS MAXIMUM D'EXPOSITION EST DE 12 MINUTES**

Ce produit est conforme aux normes de rendement pour des produits de lampe de soleil tel que stipule la partie 1040 du document CFR 21.



# SPECIFICATIONS

## 164/4

LENGTH:	87.5"L X 55"w
WEIGHT:	1352LBS
NUMBER OF LAMPS:	44, 4 facial lamps
ELECTRICAL DRAW:	50AMPS @ 220VOLTS*
CIRCUIT REQUIRED:	220VOLTS, with ground, 60AMP Breaker

\*NOTE: Amperage will vary depending on voltage.

MELANIN - The brownish pigment produced by special cells in the base layer of the skin determines the individual's tan. As the skin is exposed to the ultraviolet light, the melanin is activated and combines with protein cells that rise to the skin's surface, thus producing a tan. The amount of melanin in your body determines how quickly and dark you tan. The more melanin produced and exposure time an individual has, the faster and deeper the individual will tan.

## NOTE:

The tan produced by the 164/4 is a deep, rich "COSMETIC" tan. However, regardless of how dark an individual may tan on this system, it will not provide adequate protections against overexposure to natural sunlight or UVB tanning systems.

- SKIN TYPE II - This is the individual that usually burns easily and severely, tans minimally or lightly and peels
- SKIN TYPE III - Often referred to as "AVERAGE" complexion. burns moderately and tans about average
- SKIN TYPE IV - This individual burns minimally, tans easily and above average with each exposure
- SKIN TYPE V - This individual rarely burns, tans easily and substantially

## IMPORTANT NOTE:

Customers that wear contact lenses, should be made aware that the heat and ventilation wind may dry out their contacts and should be removed prior to the session.

Use only creams, oils or lotions (particularly suntan lotions) that are recommended by Heartland Tanning, Inc. Equally important - many facial makeups have oil bases and sun block should be removed prior to a session.

It is recommended that following a tanning session, a skin moisturizer be applied. This promotes a smoother, more even looking tan.

# EXPOSURE TIME AND FREQUENCIES 164/4

**DANGER - ULTRAVIOLET RADIATION.** Follow instructions. Avoid overexposure. As with natural sunlight, overexposure can cause eye and skin injury and allergic reactions. Repeated exposure may cause premature aging of the skin and skin cancer. **Wear protective eyewear; failure to may result in severe burns or long-term injury to eyes.**

Medications or cosmetics may increase your sensitivity to the ultraviolet radiation. Consult physician before using sunlamp if you are using medications or have a history of skin problems or believe yourself especially sensitive to sunlight. If you do not tan in the sun, you are unlikely to tan from the use of this product.

This system is intended to be used only with Cosmolux VHR 16180/160W lamps, Cosmolux VHR200 16220/180W lamps and Cosmolux Ariana 20047/HP 500W.

## Questions on Sales or Service

Follow recommended exposure schedule for the skin type.

**Heartland Tanning, Inc. • Lee's Summit, MO • 1-800-554-8268**

<b>RECOMMENDED EXPOSURE SCHEDULE</b>					
<b>Skin Type</b>	<b>Week1 1st - 3rd Treatments</b>	<b>Week2 4th - 6th Treatments</b>	<b>Week 3 7th - 10th Treatments</b>	<b>Week 4 11th - 15th Treatments</b>	<b>Weekly Subsequent Treatments</b>
II - Fair	2MINUTES	3MINUTES	5MINUTES	9MINUTES	12MINUTES
III - Average	2MINUTES	3MINUTES	5MINUTES	9MINUTES	12MINUTES
IV - Brown	2MINUTES	5MINUTES	7MINUTES	11MINUTES	12MINUTES
V - Dark Brown	2MINUTES	5MINUTES	7MINUTES	12MINUTES	12MINUTES
<b>MAXIMUM EXPOSURE TIME IS 12 MINUTES</b>					
This product is in comformity with performace standards for sunlamp products under CFR 21 Part 1040					

This unit utilized UVA lamps. **Replace only with Cosmolux VHR 16180/160W lamps, Cosmolux VHR200 16220/180W lamps and Cosmolux Ariana 20047/HP 500W.** The minimum exposure position is .5 inches (1.27 cm) from the lamps surface (preset by the mfg.). Read the instruction booklet before using this device. To use, lie down under canopy and pull down as far as adjustment will allow. **CAUTION: THE USE OF ANY OTHER POSITION MAY RESULT IN OVEREXPOSURE.**

Tanning can begin on a regular basis. An appearance of tanning normally appears after a few exposures and maximizes after four (4) weeks of exposure. **Use protective eyewear** whenever equipment is energized. Read the instruction booklet before using.



# Caractéristiques

## OVATION<sup>MC</sup> 164/4

longueur : 87,5 pouces par 55 pouces  
 hauteur : 41 pouces (avec le couvercle fermé)  
 poids d'expédition : 1352 livres  
 nombre de lampes : 48  
 aspiration électrique : 50 ampères à 220 volts\*  
 circuit requis : 220 volts, double poteau, briseur de  
 de 60 ampères, avec disjoncteur  
 différentiel, briseur de 20 ampères

\*NOTE: Amperage will vary depending on voltage.

**DANGER – RAYONNEMENT ULTRAVIOLET.** Suivez les instructions. Évitez la surexposition. Comme avec les rayons naturels du soleil, la surexposition peut causer dommage aux yeux et à la peau et des réactions allergiques. L'exposition répétée peut causer le vieillissement prématuré de la peau et du cancer de la peau. **Portez des lunettes protectrices; le non-respect de cette consigne peut entraîner de graves brûlures ou des lésions oculaires à long terme.**

Les médicaments ou les produits de beauté peuvent augmenter votre sensibilité au rayonnement ultraviolet. Consultez un médecin avant d'utiliser la lampe solaire si vous utilisez des médicaments ou avez une histoire des problèmes de peau ou croyez-vous particulièrement sensibles aux rayons du soleil. Si vous ne bronzes pas au soleil, il est peu probable que vous bronzerez avec l'utilisation de ce produit.

Questions au sujet des ventes ou de service : Heartland Tanning, Inc. • Lee's Summit, MO – 1-800-554-8268

Suivez le programme recommandé d'exposition pour le type de peau.

Cette appareil utilise des lampes de l'ultra-violet A. Remplacez seulement avec les lampes de marque **Cosmolux VHR 16180/160W, Cosmolux VHR 200 16220/1800W et Cosmolux Ariana 20047/HP 500W.** La position minimum d'exposition est à 0,5 pouces 1,27 cm) de la surface de la lampe (instituez par le manufacturier). Lisez le livret d'instruction avant d'utiliser ce dispositif. Pour utiliser, couchez-vous sous l'écran et abaissez dans la mesure où le réglage laissera. **ATTENTION : L'UTILISATION DE N'IMPORTE QUELLE AUTRE POSITION PEUT AVOIR COMME CONSÉQUENCE LA SUREXPOSITION.**

Le bronzage peut commencer de façon régulière. Un aspect de bronzage normalement apparaît après quelques

<b>Horaire d'exposition recommandé</b>					
Type de peau	Semaine 1 1er – 3e Traitements	Semaine 2 4e – 6e Traitements	Semaine 3 7e – 10e Traitements	Semaine 4 11e – 15e Traitements	Bihebdomadaire Traitements subséquents
II – Claire	2 MINUTES	3 MINUTES	5 MINUTES	9 MINUTES	12 MINUTES
III – Moyen	2 MINUTES	3 MINUTES	5 MINUTES	9 MINUTES	12 MINUTES
IV – Foncé	2 MINUTES	5 MINUTES	7 MINUTES	11 MINUTES	12 MINUTES
V – Très foncé	2 MINUTES	5 MINUTES	7 MINUTES	12 MINUTES	12 MINUTES

**LE TEMPS MAXIMUM D'EXPOSITION EST DE 12 MINUTES**

Ce produit est conforme aux normes de rendement pour des produits de lampe de soleil tel que stipule la partie 1040 du document CFR 21.



expositions et atteint son niveau maximal après quatre (4) semaines d'exposition. **Utilisez des lunettes protectrice à chaque fois que l'appareil est active.** Lisez le livret d'instructions avant l'utilisation.

# WARNINGS AND CAUTIONS

Certain drugs - particularly those designed to produce photosensitivity - may cause individuals under the influence of this type drug to experience adverse effects and those people should avoid exposure to UV sources of all type. Doctors will advise persons taking these drugs of possible adverse effects.

It is recommended that only one (1) person at a time should use the tanning system, and advise using protective eyewear while using the tanning unit. Two (2) pair of protective eyewear are provided with each 164/4 bed sold.

## WARNING

If you have been diagnosed by physician as being allergic to the sun or are currently taking photosensitive medications, consult you physician before using the tanning unit.

## CAUTION

While there is no immediate clinical evidence regarding UVA exposure and its effects upon expectant mothers, it is strongly advised that expectant mothers be discouraged from using the tanning unit.

# MANDATORY READING

ALWAYS FOLLOW INSTRUCTIONS FOR PROPER USAGE PRIOR TO USING ANY TANNING SYSTEM

## REMEMBER

1. Follow the exposure schedule in accordance with you skin type. Failure to do so may result in overexposure.
2. Replacement lamps must comply with CFR 21 1040.20. When ordering lamps, include model number and serial number. See Lamp Guide on page 7 for the appropriate lamp replacements for your 164 Tanning Bed.

Should you have any questions regarding the proper use of your tanning system, contact Heartland Tanning, Inc. at:

**1-800-554-8268**  
**8:00AM to 5:00PM (CST)**



## **CARE AND CLEANING OF YOUR 164/4 BED**

After each session is completed, spray acrylic with a specially formulated UVT (ultra-violet transmitting) acrylic cleaner. Wipe the acrylic with a clean cloth. The acrylic should never be wiped with a dry cloth because this will generate a slight static charge which will attract dust. A mild liquid detergent and water solution can be used temporarily in place of acrylic cleaner.

For maximum efficiency of your 164 Tanning Bed, periodic cleaning of lamps is required. Refer to relamping instructions for acrylic removal.

**CAUTION:** Do not use excessive amounts of water, any abrasive cleaners, or any spray cleaner that carry label warnings regarding reactions to contact with skin!

### **DO NOT USE ALCOHOL**

**ELECTRICAL SAFETY:** The tanning unit should be disconnected from the power supply before cleaning or any repairs are made! Avoid water or solution entering the lamp compartment.

# America's best tan™

# 164 RELAMPING INSTRUCTIONS

1. Disconnect power from unit.
2. Remove acrylic strips and slide acrylic out of the unit.
3. Turn the bi-pin lamp 90 degrees and remove from lampholder.
4. Align the bi-pin lamp and slide the top and bottom into the lampholder turn 90 degrees.
5. Clean and replace acrylic. (Refer: care and cleaning instructions.)
6. Reconnect unit to power.

## **CAUTION**

Replacement lamps must comply with CFR 21 1040.20

When ordering lamps, include model number and serial number.

**Replace only with Cosmolux<sup>®</sup> VHR<sup>™</sup> 200 16220/180W lamps.**

\* Please note - when removing canopy acrylic from these units - requirement is 2 people are required, 1 person at each end of bed for ease of removal and installation.

# 164/4 RELAMPING INSTRUCTIONS

1. Disconnect power from unit.
2. Remove acrylic strips and slide acrylic out of the unit.
3. Turn the bi-pin lamp 90 degrees and remove from lampholder.
4. Align the bi-pin lamp and slide the top and bottom into the lampholder turn 90 degrees.
5. Clean and replace acrylic. (Refer: care and cleaning instructions.)
6. Reconnect unit to power.

## **CAUTION**

Replacement lamps must comply with CFR 21 1040.20

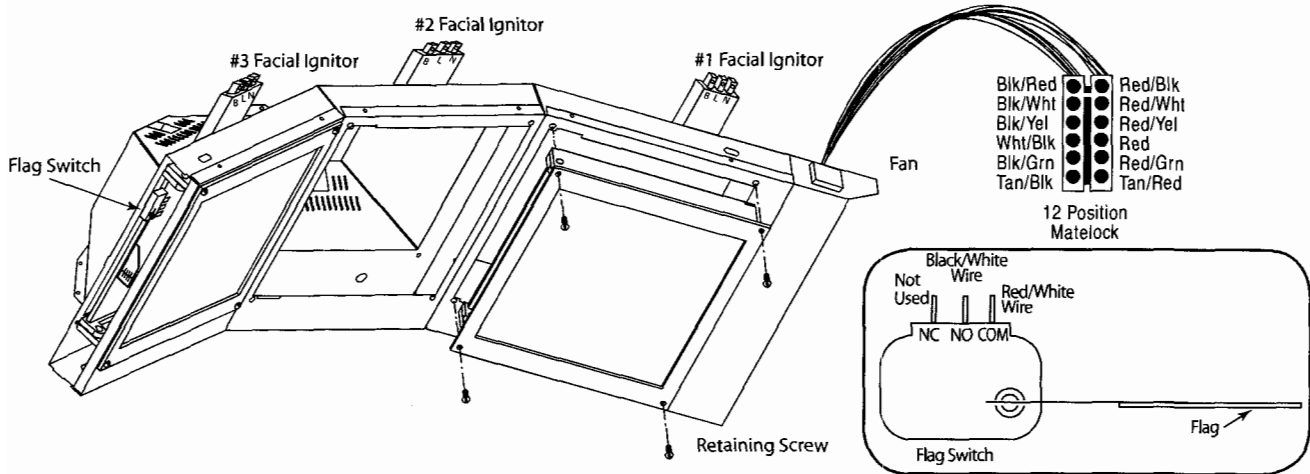
When ordering lamps, include model number and serial number.

**Replace only with Cosmolux VHR 16180/160W lamps, Cosmolux VHR200 16220/180W lamps and Cosmolux Ariana 20047/HP 500W.**

\* Please note - when removing canopy acrylic from these units - requirement is 2 people are required, 1 person at each end of bed for ease of removal and installation.

# REPLACING 164/4 FACIAL LAMPS

1. DISCONNECT POWER FROM UNIT.
2. REMOVE (2) PHILLIPS PAN MACHINE SCREWS (AT FRONT EDGE OF THE ACRYLIC) USING A #2 PHILLIPS SCREW DRIVER OR SCREW GUN.
3. PULL FRONT EDGE OF ACRYLIC/RAIL DOWN FROM CANOPY ALLOWING THE ACRYLIC TO HINGE DOWN FROM THE BACK SIDE.
4. REMOVE ACRYLIC FROM HINGE RAIL. EXPOSING FACIAL ASSEMBLY.
5. WHILE HOLDING FACIAL GLASS CASSETTE, REMOVE (4) RETAINING SCREWS USING A #2 PHILLIPS.
6. REMOVE FACIAL GLASS CASSETTE FROM FACIAL HOUSING EXPOSING 500 WATT FACIAL LAMP.



7. GRASP LAMP AT ONE END PRESSING TOWARDS THE OPPOSITE END TO RELEASE FROM LAMP BRACKET.
8. TO REPLACE 500 WATT FACIAL LAMP REVERSE PROCEDURES ABOVE. FOR MULTIPLE FACIALS, DUPLICATE STEPS ABOVE FOR EACH SINGULAR LAMP BEING REPLACED.

**NOTE: ONLY GRASP 500 WATT FACIAL LAMP FROM EITHER END; ALWAYS USE ALCOHOL TOWEL PROVIDED WITH LAMP TO WIPE OFF LAMP AFTER INSTALLATION.**

**CAUTION: DO NOT CHECK FACIAL LAMP OPERATION WITH FACIAL GLASS CASSETTE REMOVED.**

**\*ALWAYS WEAR UV PROTECTIVE EYEWEAR WHEN REPLACING LAMPS AND CHECKING OPERATION.**



# **REPAIRS - SERVICE - REPLACEMENT PARTS AND LAMPS - EYE PROTECTION**

If you are in need of any of the above mentioned products or services, you should contact the dealer/distributor through whom you purchased your unit. In the event that you are unable to do so, please call our Service Department for assistance at: 1-800-554-8268.

**NOTE:** All repairs and replacement components including, but not limited to, protective eyewear, lamps, timers and acrylic must be in compliance with CFR21 1040.20.

**NOTE: Electrical connection to power supply,  
must be in compliance with NECA  
regulations and performed by  
a qualified electrician.**

**Warning:  
Wear protective eyewear; failure to may result  
in severe burns or long-term injury to eyes.**

# USE AND GUIDE TO TIMER SYSTEM

(C) COPYRIGHT 1999 by Salon Systems, Inc.

The information in this manual is believed to be correct. However, Salon Systems, Inc. assumes no responsibility for any errors herein.

This information is subject to change without notice, and should not be construed as a commitment by Salon Systems, Inc.

A factory 3 second delay between all functions is standard on all Ovation™ beds.

## TIMER WARRANTY

This product is warranted against defective materials and workmanship for a period of one year from date of purchase. In the event the product fails to perform, it may be returned; Shipping Paid, to the factory to be serviced or replaced at the factory's discretion. Salon System, Inc. will pay to ship the repaired or replaced product by the shipping means of our choosing. Returns will not be accepted without a Return Authorization Number assigned by the factory. It is a Condition of Sale that the user of Salon Systems, Inc.'s products assumes all risk and responsibility of use and indemnifies Salon Systems, Inc. against all damages. Salon Systems Inc. is not liable for loss of profits, loss savings, special, incidental, consequential, indirect or other similar damages arising from breach of warranty, breach of contract, negligence, or other legal action even if Salon Systems, Inc. or its agent has been advised of the possibility of such damages, or for any claim brought against you by another party. This warranty allocates risks of product failure between the Purchaser and Salon Systems, Inc. Salon Systems, Inc.'s hardware pricing reflects this allocation of risk and the limitations of liability contained in this warranty. It is a violation of the stated warranty to cut or modify the provided modular cables supplied with the T-Max Series Timers. Connection the T-Max Series to third party timers not approved by Salon Systems, Inc. also violates the stated warranty. Contact your dealer or Salon Systems, Inc. if you are not sure if the timer that you are connection is an approved timer.

## *T-Max/004 OEM Installation and User's Guide*

### OVERVIEW

Congratulations on your purchase of Salon Systems, Inc.'s T-Max Series of tanning bed timers. The T-Max Series is designed for complete automation and control of your tanning equipment.

A Heartland Timer is an OEM board that can be installed in a tanning bed or tanning booth. Each Heartland Timer can individually control a tanning bed, can be connected back-to-back with a T-Max 1A or T-Max 3A for remote front desk control or be connected with many Heartland Timers and a T-Max Manager or Manager/Plus to control many beds from a remote location. Operation is accomplished via front panel controls. This manual should be used by the licensed electrician installing your T-Max timing system. Check for compliance with local building codes.

### CONFIGURATION

#### Setting Parameters

**Note:** If you are using a T-Max Manager or T-Max Manager/Plus and multiple Heartland Timers, remove power from the T-Max Manager or T-Max Manager/Plus and keep the power removed until all parameter changes are complete.

1. Press and hold the Start/Stop and the Up buttons simultaneously on the Heartland Timer. As soon as you see a ".1" on the display release the buttons. This should take about 5-6 seconds. This is an indication that you are in the parameter mode. The numbers currently displayed represents the parameter number that you can observe or change.
2. Press the Up and Down buttons until the parameter number that you want to observe or change is displayed.

Param.#	Description	Max #	Default	Notes
Salon Level				
1	Address	128	1	Set this number to the room number you want the timer to be
2	Beep Mode	1	0	Used for High Power beds. 0=Alarm Only. 1=Alarm and Flip
3	Delay Time	10	3	Delay in minutes stored in the Heartland Timer
5	Session	65535	0	Total Session counts for Heartland Timer Counts
6	Lamp Hours	65535	0	Bulb hours for each bed
7	Bed Hours	65535	0	How may hours a bed is on
8	Manual Session Counts	65535	0	Counts the # of sessions the Heartland Timer Session has run while in Stand Alone Mode
9	Clean Room	1	1	0 = Clean Room Disabled. 1 = Enabled
10	Manual Lockout*	1	0	0 = Stand Alone Enabled. 1 = Disabled
13	Cool Down Mode	10	3	0 = Disabled, 1-10 = Enabled. Time delay in minutes allowing bed to cool. The fans will remain running while the Heartland Timer is in cool down mode.
14	5 Min. Beep	1	0	0 = Disabled, 1 = Enabled. Heartland Timer will beep for 10 seconds every 5 minutes
15	Fixed Session	65535	0	Counts number of sessions ran through the TMax <sup>®</sup> 3A. This value cannot be changed at all. Used as point of reference.
16	Pulse Mode	1	0	0 = Disabled, 1 = Enabled. When session starts, the relay on the T-Max <sup>®</sup> 1A will close for 1-2 seconds then open
17	Clean Clear	1	0	0 = Press and hold the Set button for 3-4 seconds to clear the clean room. 1 = Press and release the Set button to instantly clear the clean room.
18	Redisplay	2	0	0 = After a session ends and the clean room is cleared, the Heartland Timer will show a 0. 1 = After session ends and the clean room is cleared, the Heartland Timer will show the last session time entered. 2 = After the session ends and the clean room is cleared, the max. time will show on the Heartland Timer.
19*	Third Part Interface	1	0	When set to a 1, voltage must be applied by an outside source to the TPI input on the back of the Heartland Timer. Used is the timer is being controlled by either a FST <sup>®</sup> or Database <sup>®</sup> Series Timer. See Section for JPI settings

## Setting Delay Time

If the Heartland Timer is being controlled by a T-Max 1A, T-Max 3A, T-Max Manager or T-Max Manager/Plus, the delay does not need to be set on the Heartland Timer. The delay is controlled by the controlling device.

1. Press and hold the Start/Stop and Up buttons simultaneously the Heartland Timer until a ".1" appears on the display. Release the buttons. This should take about 5-6 seconds.
2. Press the Up and Down button until a ".3" is displayed.
3. Press and release the Start/Stop button. A number will appear on the display and be flashing. A period will be illuminated in the center of the display. This is the current delay time.
4. Press the Up and Down button until the desired delay time is displayed. The highest delay time that can be set on the Heartland Timer is 10 minutes. If you want no delay time, set the display to 0. If you set the delay time to 0, the session time will start immediately after the Start/Stop button is pressed.
5. Press the Start/Stop button. The ".3" will appear on the display. The 3 will not be flashing.
6. To exit, press and hold both the Up and Down buttons until the display shows a "0" with no periods displayed.

## IN-ROOM SINGLE BED CONTROL

### Starting A Session

1. Press the Up and Down button on the Heartland Timer until the desired session time is displayed. If the display shows a 0, and you want to count down from the maximum time, press the down button.
2. Press and release the Start/Stop button to start the session. If a delay other than 0 is entered, the delay will count down. A period on the lower right corner of the display will flash rapidly. When the session starts, the period will flash at a once per second rate. If the delay is set to 0, the session will start immediately.

### Pausing A Session

To pause the session press the Start/Stop button. The flashing period on the lower right corner of the display will stop flashing and stay illuminated. To restart, press the Start/Stop button on the Heartland Timer. The period on the lower right corner of the display will resume flashing.

**NOTE:** The session time will continue to count down. The display will continue to update and reflect the remaining session time.

### Canceling A Session

To cancel a session, press the Start/Stop button to pause the session then press the Up button. The display will show a solitary 0.

## REMOTE SINGLE BED CONTROL

## Wiring

Wire the Heartland Timer to the tanning bed. Apply power to the T-Max 3A as described in their respective User's Guides.

Run the provided modular cable from the tanning room to the remote T-Max 3A or T-Max 1A. Connect the modular cable to one of the RJ-22 ports on the Heartland Timer and T-Max 1A or T-Max 3A (see RJ-22 ports for T-Max Series timers on page 16, figure B).

## Configuration

Set the address on the Heartland Timer in the tanning room to 1. Set the address on the T-Max 3A to 0.0. For setting the delay refer to the T-Max 3A user's guide.

**Note:** When setting the address on the Heartland Timer in the tanning room, the power to the front desk T-Max 1A or 3A must be off.

## Session Control

Starting a session

1. Press the Up and Down button on the T-Max 3A or the Set button on the T-Max 1A at the front desk until the session time is displayed. Time cannot be set from the Heartland Timer in the room.
2. Press the Start/Stop button on the front desk T-Max 1A or T-Max 3A to start the session.

If a delay other than 0 is set, the delay will count down. A period on the lower right corner of the display will flash rapidly. When the session starts, the period will flash at once per second rate. If a 0 delay is entered, the session will start immediately.

## Pause during the Session

To pause the session press the Start/Stop button on the Heartland Timer in the tanning room. The flashing period on the lower right corner of the display will stop flashing and stay illuminated. To restart the session, press the Start/Stop button on the Heartland Timer in the tanning room. The period will continue flashing.

**Note:** The session time will continue to count down. The display will continue to update and reflect the remaining session time.

## Canceling a session

To cancel a session, press both the Start/Stop and Up button on the T-Max 3A at the front desk simultaneously. If you are using a T-Max 1A, press the Start/Stop and the Set buttons simultaneously. The session cannot be canceled from the Heartland Timer.

## USING THE HEARTLAND TIMER WITH A T-MAX MANAGER OR T-MAX MANAGER/PLUS/PRO

If you are using Heartland Timers with a T-Max Manager or T-Max Manager/Plus, follow these instructions for proper operation:

1. Set the address on each Heartland Timer.

**Note:** If this is a first time installation, go through the quick installation procedure in Section 2 of the T-Max Manager or T-Max Manager/Plus user's guides. This will automatically set the address on the Heartland Timers and you will not need to set the addresses manually as described in the following steps. If you need to set the address on the Heartland Timer manually, be sure to set each Heartland Timer to a different address. No Heartland Timer should be set to address 00.

2. Connect each Heartland Timer together using a modular cable that conforms to the pinouts shown on Figure B. Connect T-Max Manager or T-Max Manager/Plus to the closest Heartland Timer in the line (refer to Figure C).

**Note:** Delay is controlled by the T-Max Manager, the T-Max Manager/Plus or the software you are using if you are using a computer. It is not necessary to set the delay on the Heartland Timer. Refer to the T-Max Manager or T-Max Manager/Plus User's Guide for

operation.

## OTHER FEATURES

### Clean Room

Once a session time has elapsed, the display will show two solid periods only. This is an indication that the room needs to be cleaned. To clear the clean room indication, press and hold the Up button on the Heartland Timer in the tanning room until the two period disappear and a "0" appears. To disable the clean room feature, set parameter 9 to a 0.

### Lamp Hours

To check and change Lamp Hours (or any other parameter).

### TPI ( Third Party Input) Mode

If you are using a FST or Database Series timers, you will need to place the Heartland Timer in the TPI mode.

### Connecting the TPI Input

1. Set Parameter 19 to a 1.
2. Connect the two actuator wires from the FST or Database timer to the TPI input in the back of the Heartland timer. When a session is started the FST timer will place 5v on these two wires. If you are using a database Series timer, 24 volts will be applied.

### Connecting the TPI output

#### FST:

1. There are three wires coming from the FST series timer. Two are the actuator wires connected to the signal input. Connect the third wire to one of the switch terminals. Make sure J6 and J7 are on and J4 and J5 are off.
2. Run a jumper from the black actuator wire connected to the other switch screw terminal.

#### Database:

There are four wires coming from the database series timer. Two are the actuator wires connected to the signal input. Connect the two other wires to the TPI relay output terminal J1. Make sure J6, J4 and J5 are off and J7 is on.  
Contact closure

If your external timer is simply a relay contact closure, make sure J4, J6, and J5 are on and J7 is off.

Important: J4, J5, and J7 should never be on at the same time!!!

### Operation

When a session is started, voltage will be applied to the TPI input. The display on the Heartland Timer will show the maximum time and count down. When the session ends, the voltage will be removed from the TPI input and the bed will turn off. Any remaining session time showing on the Heartland Timer will be eclipsed.

**Note:** The Heartland timer can not be used as a stand alone time in the TPI mode.

If the FST or Database Series timers are in delay the Heartland Timer will show a 0. However, pressing the Start/Stop button on the Heartland Timer will eclipse the delay time and start the session. Pressing the Start/Stop button on the Heartland timer will also clear the clean room indication on the FST and Database timers.

## Cool down mode

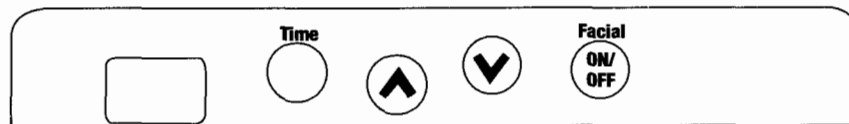
Cool down mode is the time the bed needs to cool down after a session has ended. The Factory default setting is 3 minutes.

1. Connect the wires that control the fans to the headers on the back of the Heartland timer.
2. Set parameter 13 to the desired cool down time.

After a session has ended the display will show a single period in the middle of the display. The period will remain until the cool down time has elapsed. The display will then show a 0.

**Note:** If both cool down time and clean room are enabled, the clean room will be displayed. If the clean room indication is cleared before the cool down time has expired, the cool down indication will be displayed. If the cool down time has elapsed before the clean room indication has been cleared, the clean room indication will remain until it is cleared.

**Figure A - Front View Of The Heartland Timer**  
**Display Board Front View**

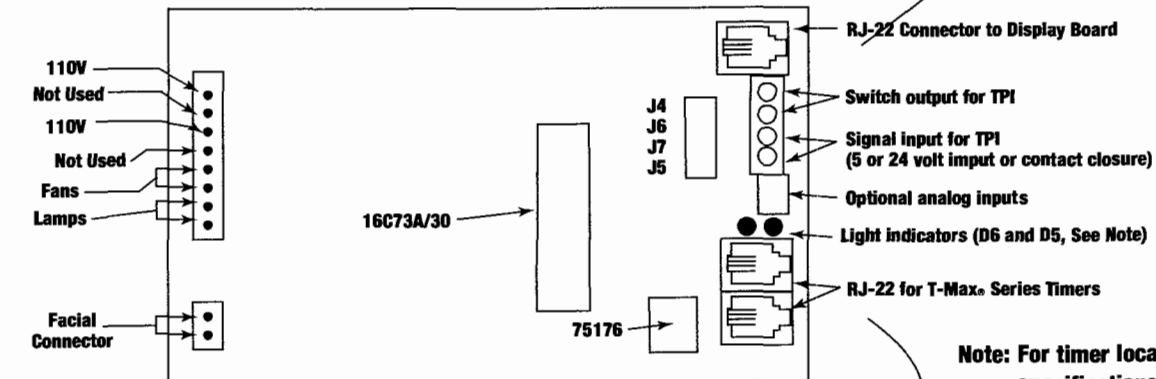


15' modular cable to power board

**Note:** **D6** - Run and communications indication lights. Will flash at a once per second rate when operating stand alone mode. When flashing rapidly the communications are active (either with a T-Max<sup>®</sup> Manager or Master T-Max<sup>®</sup> 3A). Will stay on solid if timer is in TPI mode.

**D5** - Power indication.

**Figure B - Power Board Location**



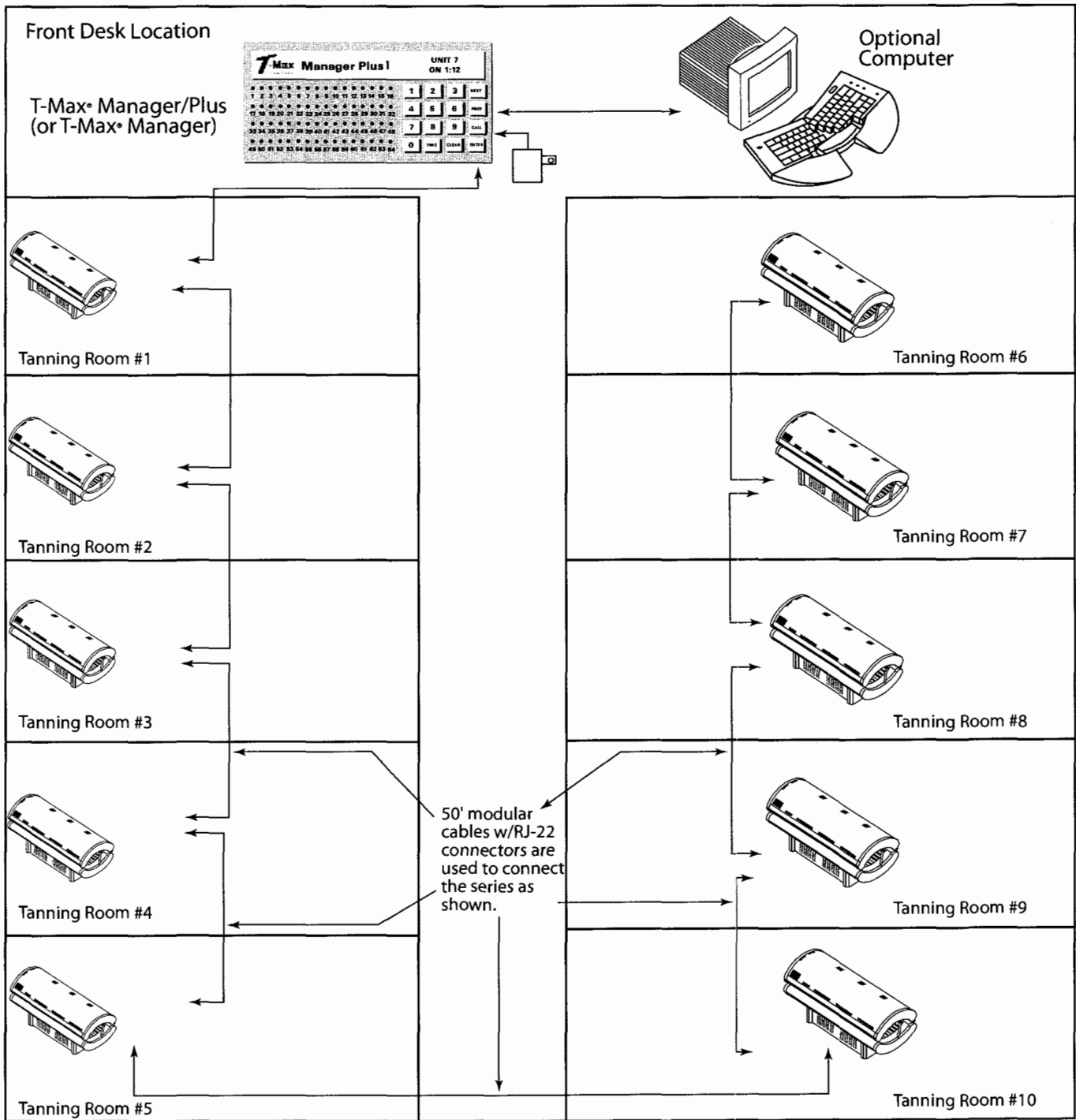
**Note:** For timer location see specifications - wiring diagram ballast box for your model.



T-Max Remote  
or T-Max Manager/  
Plus/Pro



**FIGURE C - Connecting the Heartland Timer to a T-Max® Series**



It does not matter in which order the rooms are connected. The only requirement is that there is a continuous connection from the T-Max® Manager through each room in the T-Max® Series daisy-chain.



# **164 and 164/4 Bed Assembly and Wiring Diagrams**

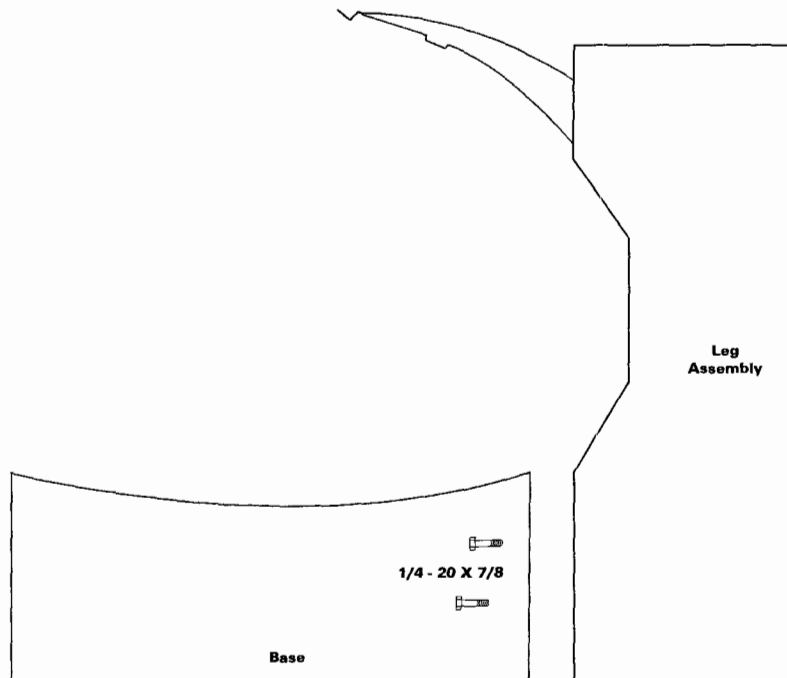
# 164 and 164/4 SERIES ASSEMBLY INSTRUCTIONS

## TOOLS YOU WILL NEED:

- A. 1/2" RATCHET DRIVE
- B. 5/16" RATCHET DRIVE
- C. 9/16" RATCHET DRIVE
- D. 7/16" RATCHET DRIVE
- E. 7/16" WRENCH
- F. TWO (2) OR MORE PEOPLE

STEP 1: FIND THE LEG ASSEMBLY. REMOVE PLASITIC TIE RETAINING CHAIN TO FRONT SIDE AND DISCARD. POSITION THE BASE AND THE LEG ASSEMBLY OF THE 164 INTO THEIR FINAL RESTING PLACE.

STEP 2: ATTACH THE LEG ASSEMBLY TO THE BASE USING (4) 1/4 - 20 X 7/8 BOLTS AS SHOWN BELOW.



STEP 3: ATTACH CHAIN COUPLER FROM LEG ASSEMBLY TO SPRING COUPLER IN BASE ASSEMBLY.



STEP 4: TO INSTALL BALLAST TRAYS. FIND THE TRAY LABELED CANOPY AND INSTALL IT ON THE LEFT SIDE. THE BENCH TRAY INSTALLS ON THE RIGHT SIDE.

STEP 5: FIND RH-LH BLOWER CORD AND BODY FAN CORD IN LEG ASSEMBLY AND ATTACH TO CPC CONNECTION ON REAR OF BALLAST TRAY.

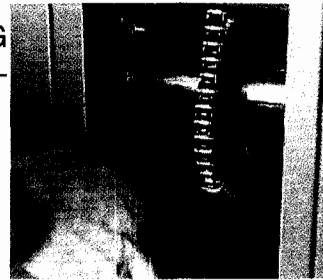
STEP 6: INSTALL PLASTIC AIR COLLECTOR USING #8 X 5/8 PHILIPS TECH SCREW.

STEP 7: REMOVE ALL THREE ACCESS PANEL ON BACK OF LEG ASSEMBLY.

STEP 8: REMOVE CAM RETAINING BOLT.

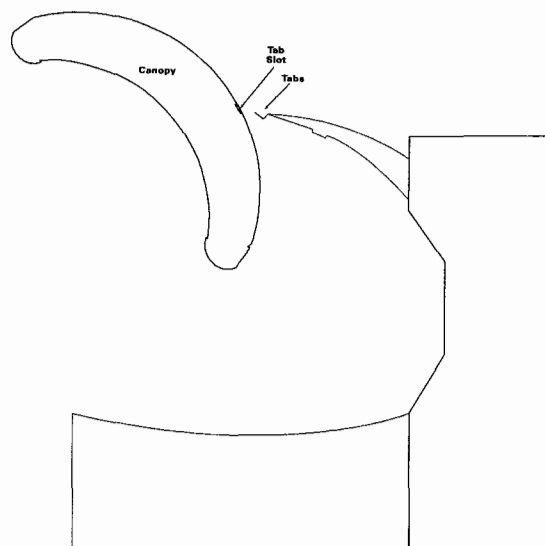


STEP 9: CUT PLASTIC TIE RETAINING TO GEAR INSIDE RH-ASSEMBLY.

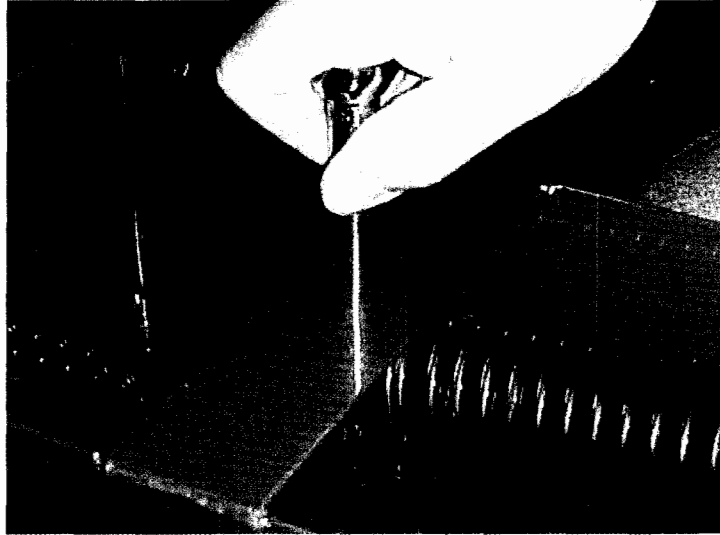


CHAIN  
LH

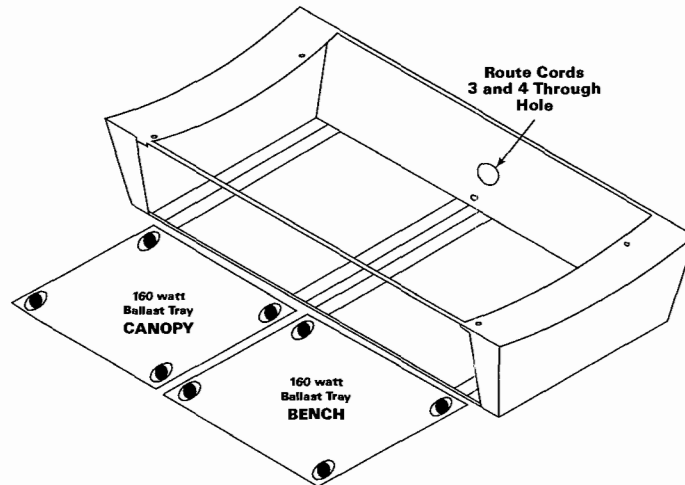
STEP 10: INSTALL CANOPY. TO DO THIS, POSITION CANOPY ON TABS ON THE END OF THE LEG ASSEMBLY. THE CANOPY **WILL** STAY IN PLACE AFTER IT IS HINGED.



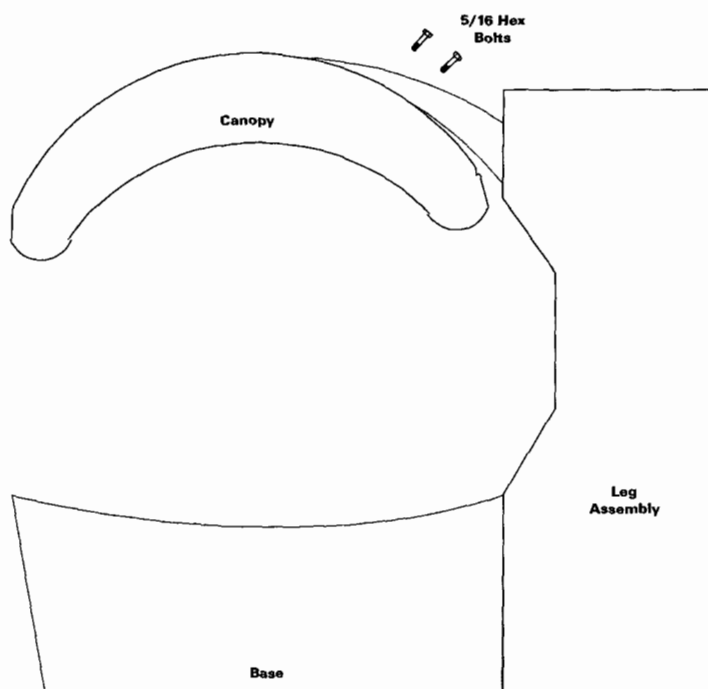
**STEP 11: LOWER CANOPY APPROX. 6 INCHES AND REMOVE SPRING RETAINING BOLT.**



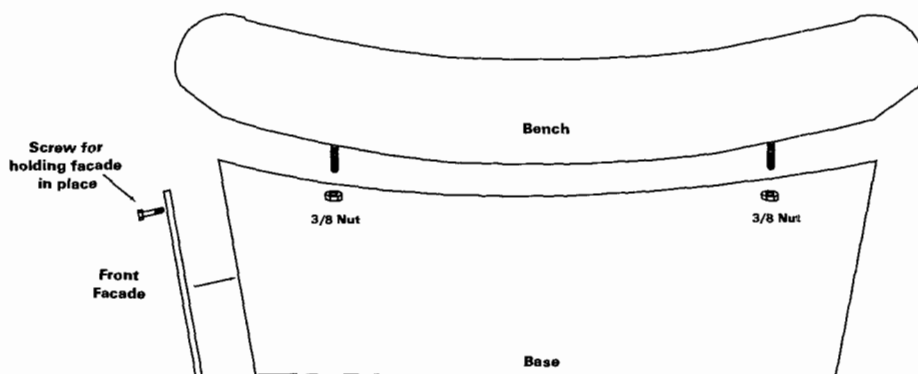
**STEP 12: ROUTE CORDS 3 AND 4 FROM THE CANOPY THROUGH HOLE IN FRONT OF LEG ASSEMBLY DOWN THROUGH BASE AS SHOWN BELOW. ATTACH TO RECEPTACLE 3 AND 4 IN FRONT OF THE CANOPY BALLAST TRAY.**



STEP 13: INSTALL 8 - 5/16 x 1 1/4 HEX BOLTS IN TOP OF CANOPY. TIGHTEN ALL THE WAY DOWN.



STEP 14: INSTALL BENCH - POSITION STUDS ON BOTTOM OF BENCH WITH HOLES IN THE BASE. ATTACH 4-3/8 FLANGE NUTS TO STUDS IN BENCH.



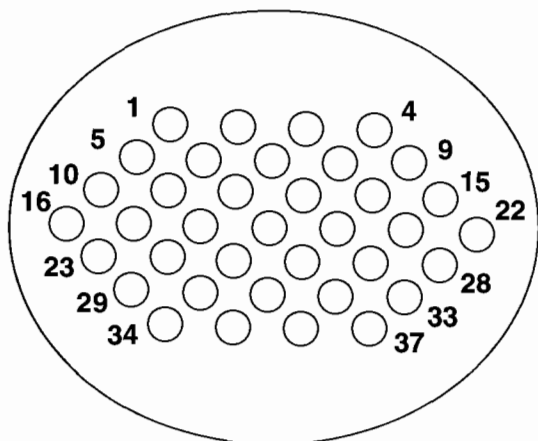
STEP 15: ATTACH CORD 1 AND 2 TO RECEPTICAL 1 AND 2 IN BENCH BALLAST TRAY.

STEP 16: ATTACH FRONT FACADE, BASE/BENCH END CAPS AND HINGE COVER USING SUPPLIED HARDWARE.

**IF YOU HAVE ANY QUESTIONS, PLEASE CALL: 1-800-554-8268**

# 164 and 164/4 SERIES

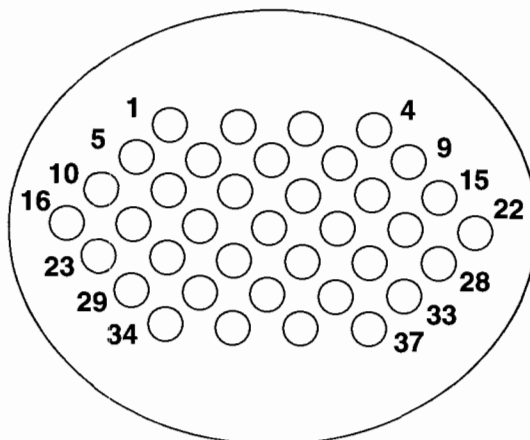
## HARNES CORD #1 / RECEPTACLE #1



PIN#	COLOR	PLUG LOCATION	RECEPTACLE-- LOCATION
1	Blue	Lamp 1 head end	Ballast 1-1
2	Yellow	Lamp 2 head end	Ballast 1-2
3	Orange	Lamp 3 head end	Ballast 1-3
4	Purple	Lamp 4 head end	Ballast 1-4
5	Grey	Lamp 5 head end	Ballast 1-5
6	Pink	Lamp 6 head end	Ballast 1-6
7	Tan	Lamp 7 head end	Ballast 1-7
8	Light Blue	Lamp 8 head end	Ballast 1-8
9	White/Orange	Lamp 9 head end	Ballast 1-9
10	White/Blue	Lamp 10 head end	Ballast 1-10
11	Empty		
12	Empty		
13	Empty		
14	Empty		
15	Empty		
16	Empty		
17	Empty		
18	Empty		
19	Green	Ground	Ground
20	Empty		
21	Empty		
22	Empty		
23	Empty		
24	Empty		
25	Empty		
26	Empty		
27	Empty		
28	Blue	Lamp 1 foot end	Capacitor 1-1
29	Yellow	Lamp 2 foot end	Capacitor 1-2
30	Orange	Lamp 3 foot end	Capacitor 1-3
31	Purple	Lamp 4 foot end	Capacitor 1-4
32	Grey	Lamp 5 foot end	Capacitor 1-5
33	Pink	Lamp 6 foot end	Capacitor 1-6
34	Tan	Lamp 7 foot end	Capacitor 1-7
35	Light Blue	Lamp 8 foot end	Capacitor 1-8
36	White/Orange	Lamp 9 foot end	Capacitor 1-9
37	White/Blue	Lamp 10 foot end	Capacitor 1-10

Lamp orientation is from FRONT of unit to BACK of unit (#1 through #20)

## HARNES CORD #2 / RECEPTACLE #2

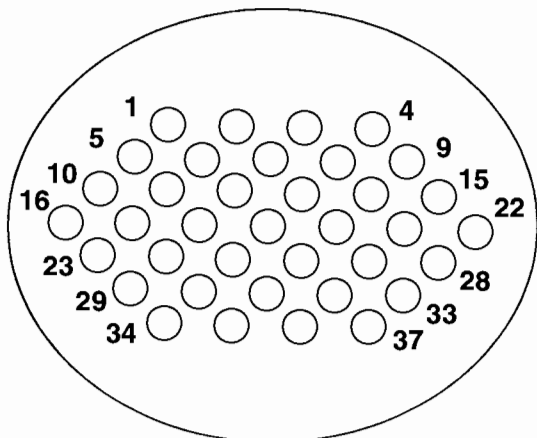


PIN#	COLOR	PLUG- LOCATION	RECEPTACLE-- LOCATION
1	Blue	Lamp 11 head end	Ballast 2-1
2	Yellow	Lamp 12 head end	Ballast 2-2
3	Orange	Lamp 13 head end	Ballast 2-3
4	Purple	Lamp 14 head end	Ballast 2-4
5	Grey	Lamp 15 head end	Ballast 2-5
6	Pink	Lamp 16 head end	Ballast 2-6
7	Tan	Lamp 17 head end	Ballast 2-7
8	Light Blue	Lamp 18 head end	Ballast 2-8
9	White/Orange	Lamp 19 head end	Ballast 2-9
10	White/Blue	Lamp 20 head end	Ballast 2-10
11	Empty		
12	Empty		
13	Empty		
14	Empty		
15	Empty		
16	Empty		
17	Empty		
18	Empty		
19	Green	Ground	Ground
20	Empty		
21	Empty		
22	Empty		
23	Empty		
24	Empty		
25	Empty		
26	Empty		
27	Empty		
28	Blue	Lamp 11 foot end	Capacitor 2-1
29	Yellow	Lamp 12 foot end	Capacitor 2-2
30	Orange	Lamp 13 foot end	Capacitor 2-3
31	Purple	Lamp 14 foot end	Capacitor 2-4
32	Grey	Lamp 15 foot end	Capacitor 2-5
33	Pink	Lamp 16 foot end	Capacitor 2-6
34	Tan	Lamp 17 foot end	Capacitor 2-7
35	Light Blue	Lamp 18 foot end	Capacitor 2-8
36	White/Orange	Lamp 19 foot end	Capacitor 2-9
37	White/Blue	Lamp 20 foot end	Capacitor 2-20

Lamp orientation is from FRONT of unit to BACK of unit (#1 through #20)

# 164 and 164/4 SERIES

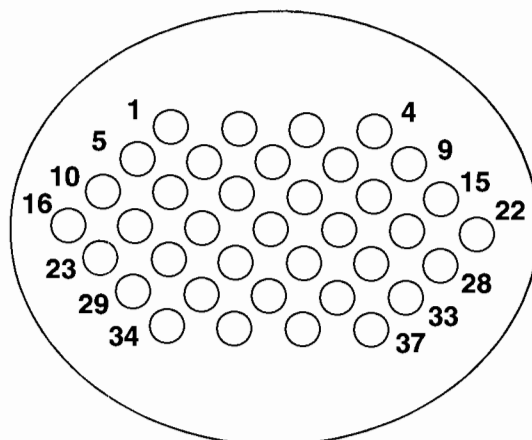
## HARNESS CORD #3 / RECEPTACLE #3



PIN#	COLOR	PLUG- LOCATION	RECEPTACLE-- LOCATION
1	Blue	Lamp 1 head end	Ballast 3-1
2	Yellow	Lamp 2 head end	Ballast 3-2
3	Orange	Lamp 3 head end	Ballast 3-3
4	Purple	Lamp 4 head end	Ballast 3-4
5	Grey	Lamp 5 head end	Ballast 3-5
6	Pink	Lamp 6 head end	Ballast 3-6
7	Tan	Lamp 7 head end	Ballast 3-7
8	Light Blue	Lamp 8 head end	Ballast 3-8
9	White/Orange	Lamp 9 head end	Ballast 3-9
10	White/Blue	Lamp 10 head end	Ballast 3-10
11	White/Green	Lamp 11 head end	Ballast 3-11
12	Black/Red	Lamp 12 head end	Ballast 3-12
13	Red/Black	Facial Ignitor #1	Facial Ballast #1
14	Red	Facial Fan	Term. Strip
15	Red/Yellow	Facial Ignitor #2	Facial Ballast #2
16	Empty		
17	Empty		
18	Empty		
19	Green	Ground	Ground
20	Empty		
21	Empty		
22	Empty		
23	Black/Yellow	Facial Ignitor #2	Facial Term. Strip
24	White/Black	Facial Fan	Contacto-Fan
25	Black/Red	Facial Ignitor #1	Facial Term. Strip
26	Blue	Lamp 1 foot end	Capacitor 3-1
27	Yellow	Lamp 2 foot end	Capacitor 3-2
28	Orange	Lamp 3 foot end	Capacitor 3-3
29	Purple	Lamp 4 foot end	Capacitor 3-4
30	Grey	Lamp 5 foot end	Capacitor 3-5
31	Pink	Lamp 6 foot end	Capacitor 3-6
32	Tan	Lamp 7 foot end	Capacitor 3-7
33	Light Blue	Lamp 8 foot end	Capacitor 3-8
34	White/Orange	Lamp 9 foot end	Capacitor 3-9
35	White/Blue	Lamp 10 foot end	Capacitor 3-10
36	White/Green	Lamp 11 foot end	Capacitor 3-11
37	Black/Red	Lamp 12 foot end	Capacitor 3-12

Lamp orientation is from FRONT of unit to BACK of unit (#1 through #24)

## HARNESS CORD #4 / RECEPTACLE #4

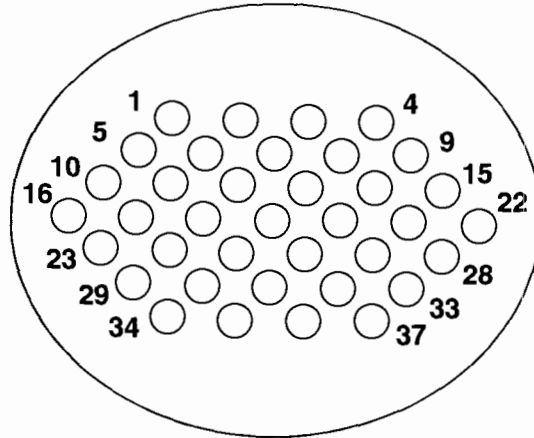


PIN#	COLOR	PLUG- LOCATION	RECEPTACLE-- LOCATION
1	Blue	Lamp 13 head end	Ballast 4-1
2	Yellow	Lamp 14 head end	Ballast 4-2
3	Orange	Lamp 15 head end	Ballast 4-3
4	Purple	Lamp 16 head end	Ballast 4-4
5	Grey	Lamp 17 head end	Ballast 4-5
6	Pink	Lamp 18 head end	Ballast 4-6
7	Tan	Lamp 19 head end	Ballast 4-7
8	Light Blue	Lamp 20 head end	Ballast 4-8
9	White/Orange	Lamp 21 head end	Ballast 4-9
10	White/Blue	Lamp 22 head end	Ballast 4-10
11	White/Green	Lamp 23 head end	Ballast 4-11
12	Black/Red	Lamp 24 head end	Ballast 4-12
13	Blue/Red	Red Leg	Red Back Light
14	Empty		
15	Tan/Red	Facial Ignitor #4	Facial Term. Strip
16	Empty		
17	Red/Green	Facial Ignitor #3	Facial Ballast #3
18	Red/White	Facial Fan Switch	Contacto-Facial- Control
19	Green	Ground	Ground
20	Black/White	Facial Fan Switch	Timer Board
21	Black/Green	Facial Ignitor #3	Facial Term. Strip
22	Empty		
23	Tan/Black	Facial Ignitor #4	Facial Term. Strip
24	Empty		
25	Blue/Black	Black Leg	Red Back Light
26	Blue	Lamp 13 foot end	Capacitor 4-1
27	Yellow	Lamp 14 foot end	Capacitor 4-2
28	Orange	Lamp 15 foot end	Capacitor 4-3
29	Purple	Lamp 16 foot end	Capacitor 4-4
30	Grey	Lamp 17 foot end	Capacitor 4-5
31	Pink	Lamp 18 foot end	Capacitor 4-6
32	Tan	Lamp 19 foot end	Capacitor 4-7
33	Light Blue	Lamp 20 foot end	Capacitor 4-8
34	White/Orange	Lamp 21 foot end	Capacitor 4-9
35	White/Blue	Lamp 22 foot end	Capacitor 4-10
36	White/Green	Lamp 23 foot end	Capacitor 4-11
37	Black/Red	Lamp 24 foot end	Capacitor 4-12

Lamp orientation is from FRONT of unit to BACK of unit (#1 through #24)

# 164 and 164/4 SERIES

## HARNESS CORD #5 / RECEPTACLE #5

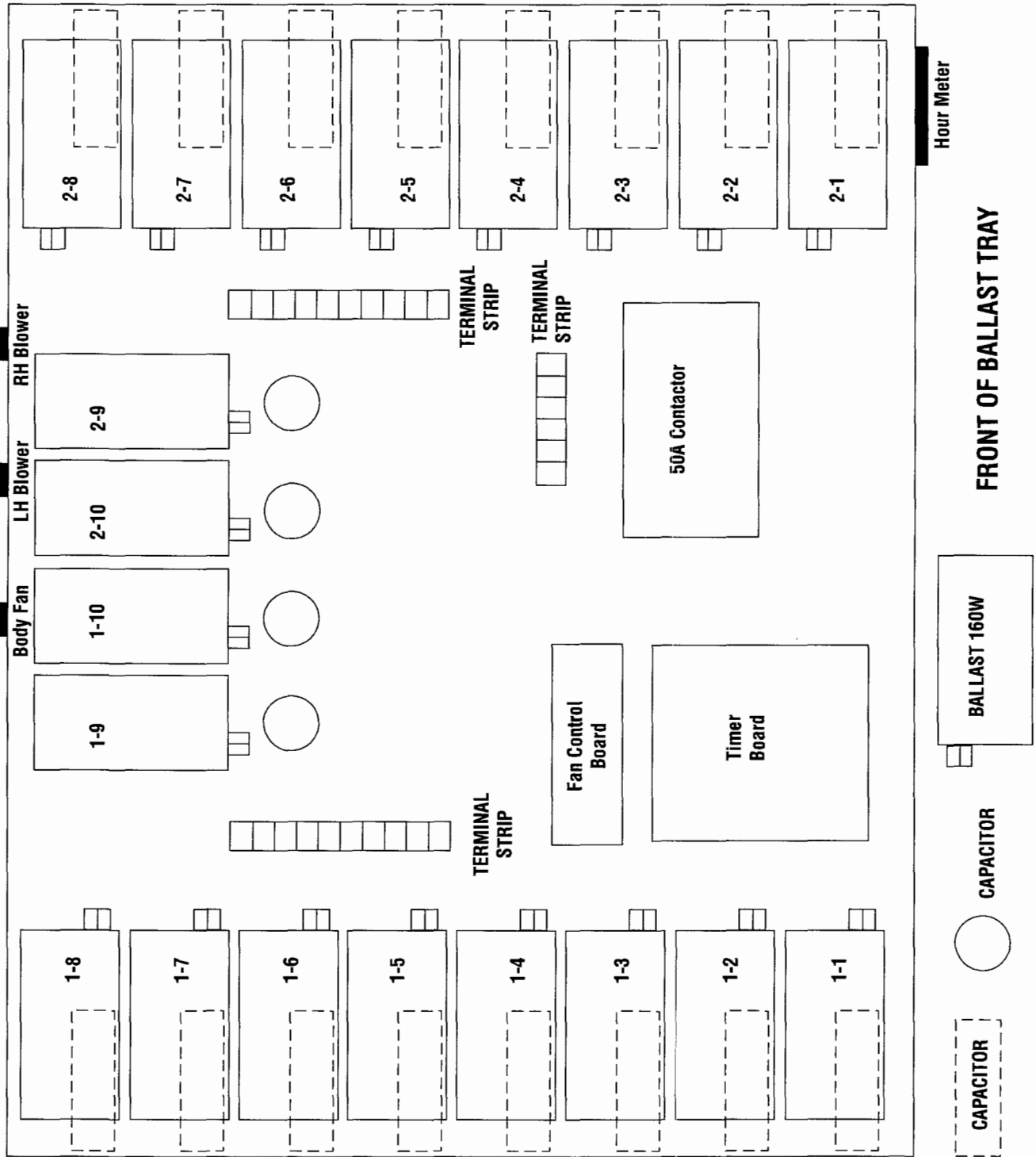


PIN#	COLOR	RECEPTACLE LOCATION	PLUG LOCATION
1	Red/Black	Contacto-Lamps	Lamp-Term. Strip
2	Red/Black	Contacto-Lamps	Lamp-Term. Strip
3	Red/Black	Contacto-Lamps	Lamp-Term. Strip
4	Red/Black	Contacto-Lamps	Lamp-Term. Strip
5	Red/Black	Contacto-Lamps	Lamp-Term. Strip
6	Empty		
7	Empty		
8	Empty		
9	Red	Contacto	Facial Contactor
10	Red	Contacto	Facial Contactor
11	Red	Contacto	Facial Contactor
12	Empty		
13	Empty		
14	Red	Contacto-Fan	Fan.-Term. Strip
15	Red	Contacto-Fan	Fan.-Term. Strip
16	Empty		
17	Empty		
18	Green	Ground	Ground
19	Green	Ground	Ground
20	Black/White	Timer Board	Black/White from #4
21	Empty		
22	Empty		
23	Black	Contacto-Fan	Fan.-Term. Strip
24	Black	Contacto-Fan	Fan.-Term. Strip
25	Empty		
26	Empty		
27	Black	Contacto	Facial Contactor
28	Black	Contacto	Facial Contactor
29	Black	Contacto	Facial Contactor
30	Empty		
31	Empty		
32	Empty		
33	Black/Red	Contacto-Lamps	Lamp-Term. Strip
34	Black/Red	Contacto-Lamps	Lamp-Term. Strip
35	Black/Red	Contacto-Lamps	Lamp-Term. Strip
36	Black/Red	Contacto-Lamps	Lamp-Term. Strip
37	Black/Red	Contacto-Lamps	Lamp-Term. Strip

Lamp orientation is from FRONT of unit to BACK of unit (#1 through #24)

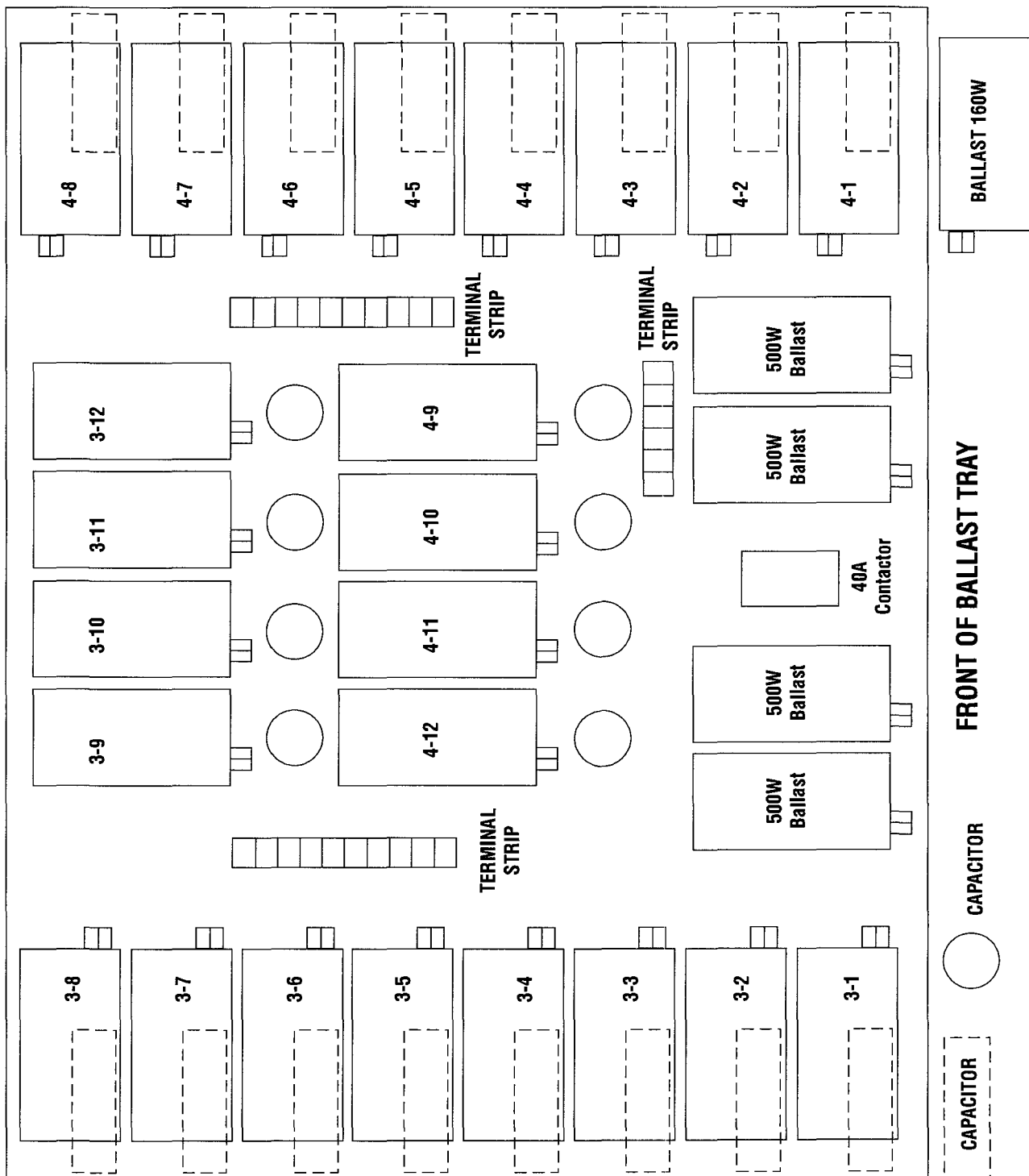


# 164 and 164/4 BENCH WIRING DIAGRAM BALLAST BOX



# 164 and 164/4 CANOPY WIRING DIAGRAM BALLAST BOX

REAR OF BALLAST TRAY



# 164 and 164/4 BENCH WIRING DIAGRAM BALLAST BOX

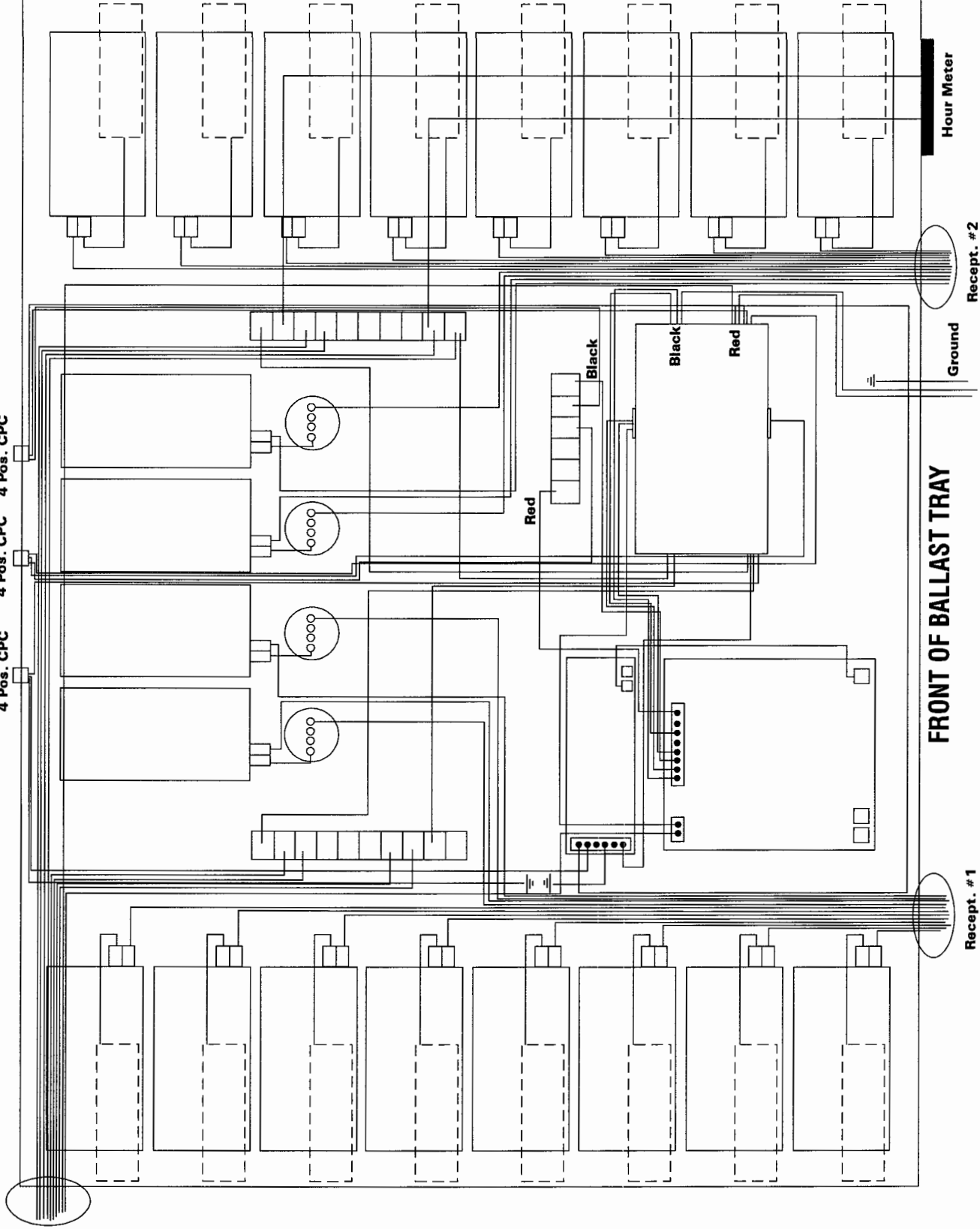
## REAR OF BALLAST TRAY

Body Fan  
4 Pos. CPC

RH Blower  
4 Pos. CPC

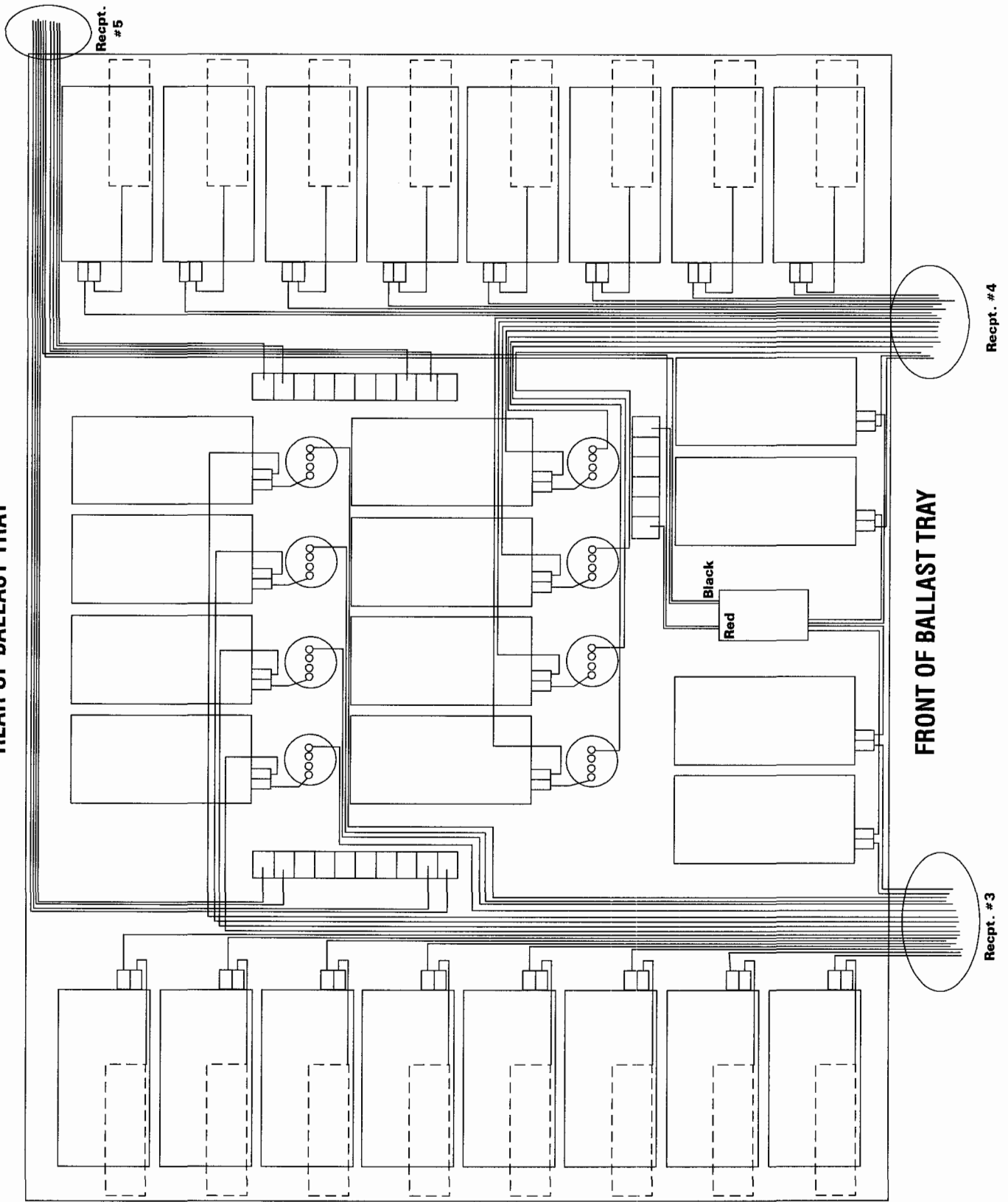
LH Blower  
4 Pos. CPC

Recept. #5

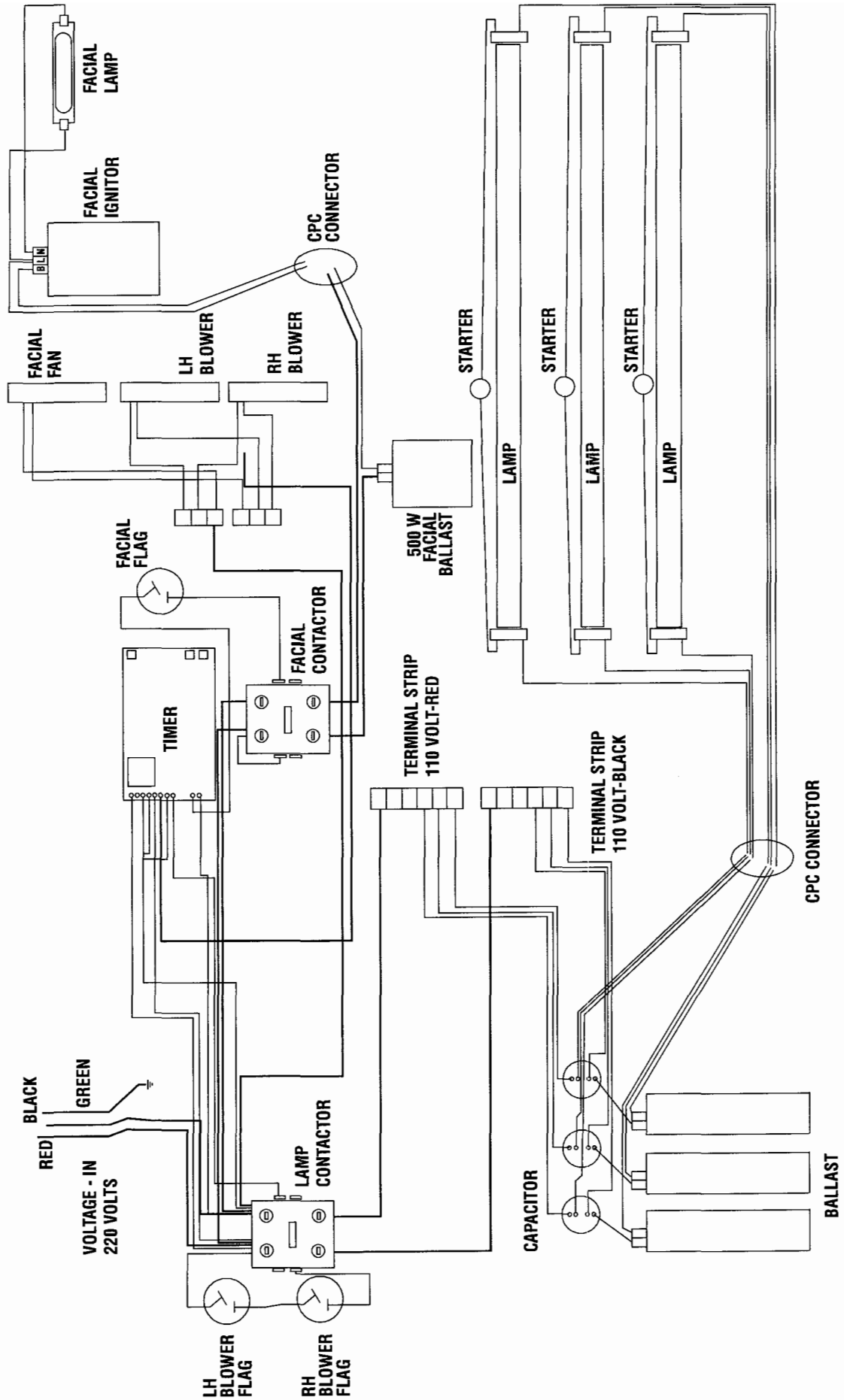


# 164 and 164/4 CANOPY SERIES WIRING DIAGRAM BALLAST

REAR OF BALLAST TRAY



# 164 and 164/4 SERIES ELECTRICAL OVERVIEW



# LIMITED WARRANTY

Heartland Tanning, Inc. warrants its products to be free from defects in materials and workmanship under intended normal use as described in the unit's Operation and Instruction Manual, for a period of three (3) years from date of sale.

This Limited Warranty applies only to the original purchaser of the equipment through Heartland Tanning, Inc. or its authorized dealer or distributor, and is not transferable.

Heartland Tanning, Inc.'s obligations under this warranty are limited to repair or replacement of any defective part without charge for that part to the original purchaser, with the following exceptions:

- A. Tanning lamps are warranted against defects for a period of sixty (60) days from date of sale.
- B. Three (3) year Limited Warranty on parts. Only parts obtained through Heartland Tanning, Inc., its authorized dealers or distributors may be used. Transportation cost for parts shipped to the consumer and the return of defective parts to Heartland Tanning, Inc. are not included
- C. Labor will be furnished without charge for ninety (90) days from the date of purchase only. All labor and related charges must be authorized by Heartland Tanning, Inc. prior to start of repairs, and must coincide with Heartland Tanning, Inc. established rates and time allotment policy.
- D. All fans are warranted against defects for a period of three (3) years from date of sale.
- E. Timer system warranted for one (1) year.
- F. Acrylic, warranted for twelve (12) months.

**It is imperative that the original customer completes and returns the enclosed warranty card within ten (10) days after purchase to insure valid registration and coverage for potential claims.**

**If the warranty card is not registered, proof of purchase from Heartland Tanning, Inc. or its authorized dealer or distributor will be required prior to any consideration on warranty claims. This could result in service delays.**

This warranty is extended to the individual or legal entity, whose name appears on the warranty registration card filed with Heartland Tanning, Inc., or whose name appears on the original sale document and may not be transferred to any other individual or legal entity.

This warranty does not apply to any failure of the product or any parts of the product due to alterations, modifications, misuse, abuse, accident, improper maintenance, improper installation or if the serial number on the product has been removed, altered, or defaced. Adequate packaging must be used for returned goods to prevent freight damage.

THIS WARRANTY IS EXPRESSLY IN LIEU OF ALL OTHER WARRANTIES, EXPRESSED OR IMPLIED, INCLUDING THE WARRANTIES OF MERCHANTABILITY AND HEARTLAND TANNING, INC. NO PERSON, FIRM OR CORPORATION IS AUTHORIZED TO OBLIGATE HEARTLAND TANNING, INC. FOR ANY LIABILITY IN CONNECTION WITH THE SALE OR USE OF THESE GOODS.

This warranty gives you specific legal rights, and you may also have other rights which vary from state to state.

**NOTICE: Any misuse, abuse, modifications, alteration, improper installation, etc. of this product or its intended use will subject said party to direct responsibility for any and all consequences resulting from such action. Furthermore, such actions will void all warranties and may relieve Heartland Tanning, Inc. of any liabilities relating to said product.**