

74 Hundred

Owner & Assembly Manual
Les Spécifications Françaises Enclos



TABLE OF CONTENTS

3	WELCOME
4	WARNINGS AND CAUTIONS & MANDATORY READING
5	SKIN GUIDE
6	7400 SPECIFICATIONS
7-8	7400 EXPOSURE SCHEDULE
9	REPAIRS, SERVICE, REPLACEMENT PARTS, LAMPS, AND EYE PROTECTION
10	CARE AND CLEANING
11-17	BED ASSEMBLY
18	RELAMPING INSTRUCTIONS
19	REFILLING / CHANGING AROMA AND AQUACOOOL
20-21	AIR SYSTEM MAINTENANCE
22-23	DISPLAY PANEL OPERATION
24-29	TIMER SYSTEM
30	DIMENSIONS
31	LIMITED WARRANTY

America's Best Tan[™]

WELCOME

Dear Valued Customer:

Congratulations! You have just purchased one of the finest pieces of tanning equipment available to the indoor tanning industry. We at Heartland Tanning, Inc. sincerely appreciate your business.

The 74 Hundred tanning bed is manufactured right here in the heart of our country. Our tanning beds are constructed of steel, aluminum & other construction material to hold up under heavy use. We have confidence in our manufactured products and that is why our equipment is backed by Heartland's unprecedented 5 year limited warranty.

Please read your owner & assembly manual thoroughly prior to the first use of your new tanning bed.

Heartland Tanning, Inc.
4251 N.E. Port Drive
Lee's Summit, MO 64064
1-800-554-8268



NOTICE: Any misuse, abuse, modifications, alteration, improper installation, etc. of this product or its intended use will subject said party to direct responsibility for any and all consequences resulting from such action. Furthermore, such actions will void all warranties and may relieve Heartland Tanning, Inc. of any liabilities relating to said product.

REPAIRS • SERVICE • REPLACEMENT PARTS

If you are in need of any of the above mentioned products or services, you should contact the dealer/distributor through whom you purchased your unit. In the event that you are unable to do so, please call our Service Department for assistance:

1-800-554-8268

NOTE:

All repairs and replacement components including, but not limited to, protective eyewear, lamps, timers and acrylic must comply with CFR21 1040.20.

NOTE:

Electrical connection to the power supply must comply with NECA regulations and be performed by a qualified electrician.

CARE AND CLEANING

After each session is completed, spray acrylic with a specially formulated UVT (ultra-violet transmitting) acrylic cleaner. Wipe the acrylic with a clean cloth. The acrylic should never be wiped with a dry cloth because this will generate a slight static charge which will attract dust. A mild liquid detergent and water solution can be used temporarily in place of acrylic cleaner.

ELECTRICAL SAFETY

The tanning unit should be disconnected from the power supply before cleaning or any repairs are made! Avoid water or solution entering the lamp compartment.

CAUTION

Do not use excessive amounts of water, any abrasive cleaners, or any spray cleaner that carry label warnings regarding reactions to contact with skin!

WARNING DO NOT USE ALCOHOL TO CLEAN THIS UNIT!

For maximum efficiency of your tanning unit, periodic cleaning of lamps is required. Refer to relamping instructions for acrylic removal.

MANDATORY READING

ALWAYS FOLLOW INSTRUCTIONS FOR PROPER USAGE PRIOR TO USING ANY TANNING SYSTEM.

REMEMBER

1. Follow the exposure schedule in accordance with your skin type. Failure to do so may result in overexposure.
2. Replacement lamps must comply with CFR 21 1040.20. When ordering lamps, include model number and serial number. See Lamp Guide for the appropriate lamp replacements for your Tanning Bed.

Should you have any questions regarding the proper use of your tanning system, please contact:

Heartland Tanning, Inc.

1-800-554-8268

8:00AM to 5:00PM (CST)

WARNINGS AND CAUTIONS

Certain drugs, particularly those designed to produce photosensitivity, may cause individuals under the influence of these types of drugs to experience adverse effects and those people should avoid exposure to UV sources of all types. Doctors will advise persons taking these drugs of possible adverse effects.

It is recommended that only one (1) person at a time use this tanning system, and we advise wearing protective eyewear while using the tanning unit, failure to may result in severe burns or long-term injury to eyes. Two (2) pair of protective eyewear are provided with each bed sold.

WARNING

If you have been diagnosed by a physician as being allergic to the sun or are currently taking photosensitive medications, consult your physician before using the tanning unit.

CAUTION

While there is no immediate clinical evidence regarding UVA exposure and its effects upon expectant mothers, it is strongly advised that expectant mothers be discouraged from using the tanning unit.

SKIN GUIDE

MELANIN - The brownish pigment produced by special cells in the base layer of the skin determines the individual's tan. As the skin is exposed to the ultraviolet light, the melanin is activated and combines with protein cells that rise to the skin's surface, thus producing a tan. The amount of melanin in your body determines how quickly and dark you tan. The more melanin produced and exposure time an individual has, the faster and deeper the individual will tan.

NOTE

The tan produced by the 74 Hundred line is a deep, rich "COSMETIC" tan. However, regardless of how dark an individual may tan on this system, it will not provide adequate protection against overexposure to natural sunlight or UVB tanning systems.

SKIN TYPE II-Fair

This is the individual that usually burns easily and severely, tans minimally or lightly and peels.

SKIN TYPE III-Average

This individual burns moderately and tans about average.

SKIN TYPE IV-Brown

This individual burns minimally, tans easily and above average with each exposure.

SKIN TYPE V-Dark Brown

This individual rarely burns, tans easily and substantially.

IMPORTANT NOTE

Customers that wear contact lenses should be made aware that the heat and ventilation wind may dry out their contacts and should be removed prior to the session. Use only creams, oils or lotions (particularly suntan lotions) that are recommended by Heartland Tanning, Inc. Equally important many facial Make-ups have oil bases and sun block which should be removed prior to a session. It is recommended that following a tanning session, a skin moisturizer be applied. This promotes a smoother, more even looking tan.

SPECIFICATIONS

12 MINUTES

27 Heartland Rave Preferred lamps in canopy

21 Heartland Rave Preferred lamps in bench

(4) 500 watt facial lamps

T-Max compatible Mega Voice Timer (T-Max wireless compatible) with Integrated MP3 player

AquaCool upper body misting system (optional)

12" round heat exhaust ventilation required

12,000 BTU integrated body cooling and air conditioning

ACS controlled body ventilator and exhausting

*40 AMP rated 3 phase, 220 – 240 volt with ground required (for optimum performance, running voltage should be 230 – 240)

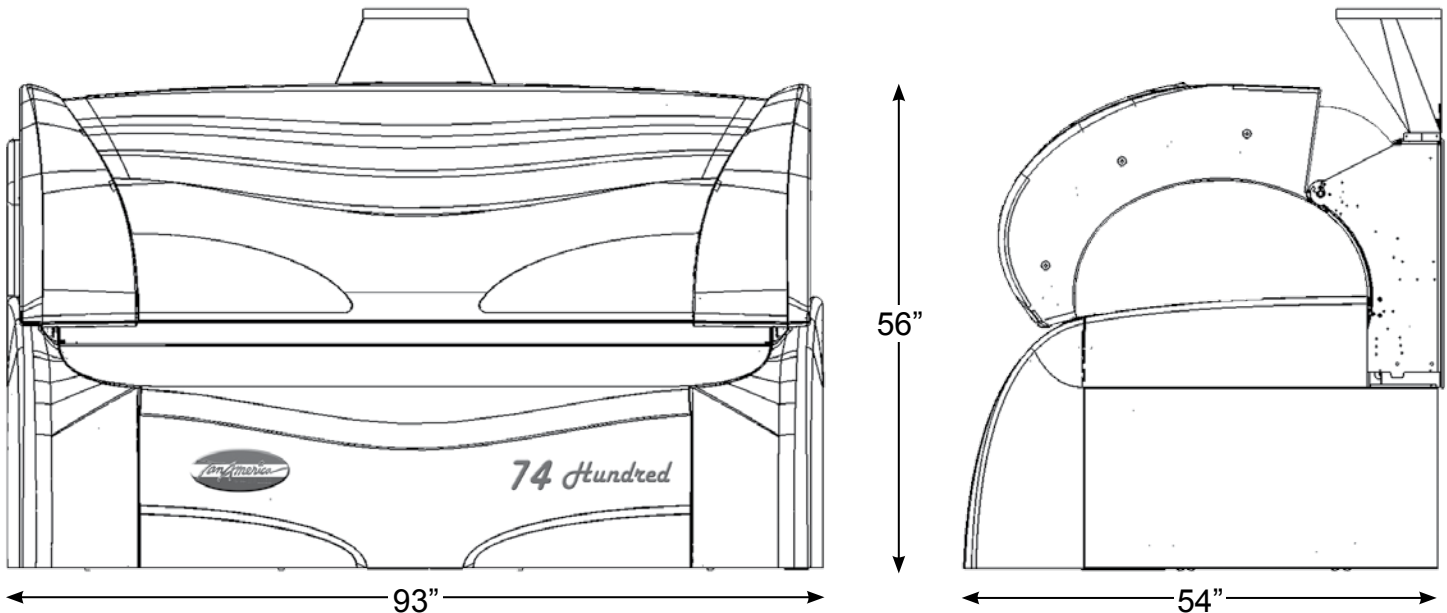
31 AMPS running @ 230 VAC

(2) 1.0 KVA Buck/Booster transformers required if outside 220 – 240 VAC

10' X 10' minimum room size required

2 Ton (24,000 BTU) minimum A/C dedicated into room

Shipping weight: 1600lbs



*NOTE: Amperage will vary depending on voltage.

DANGER – ULTRAVIOLET RADIATION. Follow instructions. Avoid overexposure. As with natural sunlight, overexposure can cause eye and skin injury and allergic reactions. Repeated exposure may cause premature aging of the skin and skin cancer. **Wear protective eyewear: failure to may result in severe burns or long-term injury to eyes.**

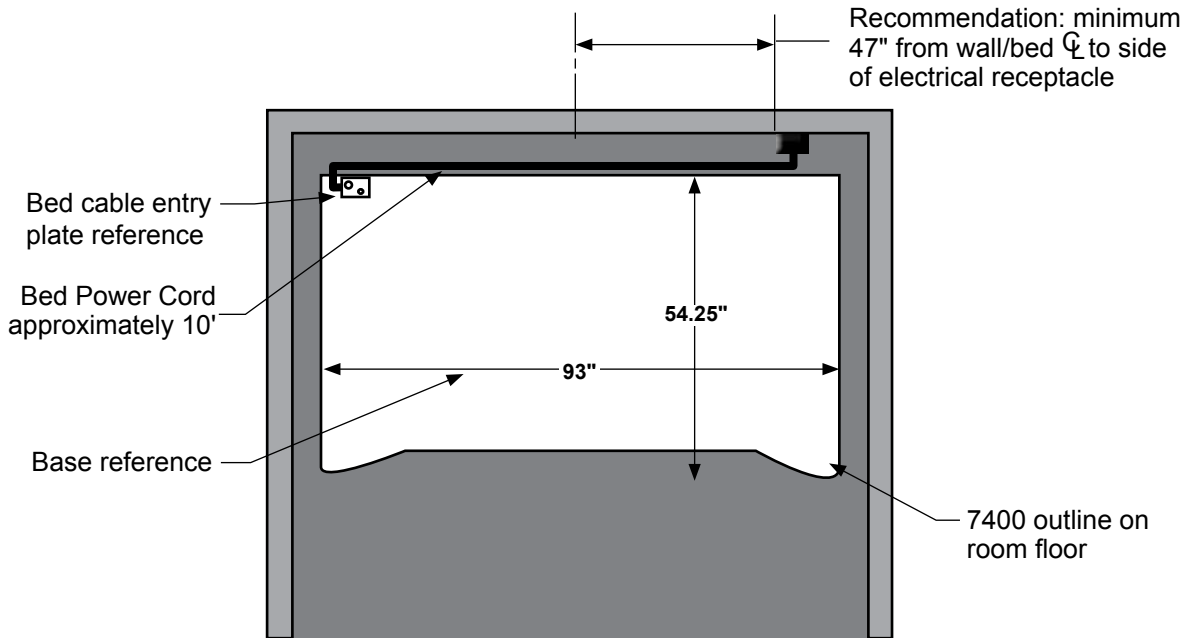
Medications or cosmetics may increase your sensitivity to the ultraviolet radiation. Consult physician before using sunlamp if you are using medications or have a history of skin problems or believe yourself especially sensitive to sunlight. If you do not tan in the sun, you are unlikely to tan from the use of this product.

CUT SHEET

MODEL	VOLTAGE RATING*	ETL LISTED AMP RATING	PHASE**	ACTUAL RUNNING AMPS	HVAC
7400E	220-240 Volts	40 AMP @230 VAC	3	31 AMP @230 VAC	2 Ton 24,000 BTU

* Ballast tray cord to be wired into Buck boost Transformer/Breaker box. ** 4 Wire (3 hot, 1 ground) Contact Heartland Tanning for detail.

DIMENSIONS	APPROXIMATE WEIGHT	MINIMUM ROOM SIZE
93"L x 54.25"D x 56"H	1,600 lbs.	10' x 10'



ROOM REFERENCE

12 MINUTE EXPOSURE SCHEDULE

DANGER - ULTRAVIOLET RADIATION. Follow instructions. Avoid overexposure. As with natural sunlight, overexposure can cause eye and skin injury and allergic reactions. Repeated exposure may cause premature aging of the skin and skin cancer. Wear protective eyewear; failure to may result in severe burns or long-term injury to eyes.

Medications or cosmetics may increase your sensitivity to the ultraviolet radiation. Consult physician before using sunlamp if you are using medications or have a history of skin problems or believe yourself especially sensitive to sunlight. If you do not tan in the sun, you are unlikely to tan from the use of this product.

This system is intended to be used only with Heartland **Rave Preferred lamps and Hereaus OH C 560 SF-80004457 500W for facials.**

Questions on Sales or Service
Heartland Tanning, Inc. • Lee's Summit, MO • 1-800-554-8268
Follow recommended exposure schedule for the skin type.

RECOMMENDED EXPOSURE SCHEDULE					
SKIN TYPE	WEEK 1 1st- 3rd TREATMENTS	WEEK 2 4th- 6th TREATMENTS	WEEK 3 7th- 9th TREATMENTS	WEEK 4 10th- 12th TREATMENTS	WEEKLY SUBSEQUENT TREATMENT
II-FAIR	2 MINUTES	3 MINUTES	5 MINUTES	9 MINUTES	12 MINUTES
III-AVERAGE	2 MINUTES	3 MINUTES	5 MINUTES	9 MINUTES	12 MINUTES
IV-BROWN	2 MINUTES	5 MINUTES	7 MINUTES	11 MINUTES	12 MINUTES
V-DK. BROWN	2 MINUTES	5 MINUTES	7 MINUTES	12 MINUTES	12 MINUTES

MAXIMUM EXPOSURE TIME IS 12 MINUTES
This product is in conformity with performance standards for sunlamp products under CFR 21 Part 1040

This unit utilized UVA lamps. Replace only with Heartland **Rave Preferred lamps and Hereaus OH C 560 SF-80004457 500W for facials.** The minimum exposure position is .5 inches(1.27 cm) from the lamps surface (preset by the mfg.). Read the instruction booklet before using this device. To use, lie down under canopy and pull down as far as adjustment will allow. **CAUTION: THE USE OF ANY OTHER POSITION MAY RESULT IN OVEREXPOSURE.**

Tanning can begin on a regular basis. An appearance of tanning normally appears after a few exposures and maximizes after four (4) weeks of exposure. Use protective eyewear whenever equipment is energized. Read the instruction booklet before using.

12 MINUTES D'EXPOSITION CALENDRIER

NOTE: Amperage will vary depending on voltage.

DANGER – RAYONNEMENT ULTRAVIOLET. Suivez les instructions. Évitez la surexposition. Comme avec les rayons naturels du soleil, la surexposition peut causer dommage aux yeux et à la peau et des réactions allergiques. L'exposition répétée peut causer le vieillissement prématuré de la peau et du cancer de la peau. Portez des lunettes protectrices; le non-respect de cette consigne peut entraîner de graves brûlures ou des lésions oculaires à long terme.

Les médicaments ou les produits de beauté peuvent augmenter votre sensibilité au rayonnement ultraviolet. Consultez un médecin avant d'utiliser la lampe solaire si vous utilisez des médicaments ou avez une histoire des problèmes de peau ou croyez-vous particulièrement sensibles aux rayons du soleil. Si vous ne bronzez pas au soleil, il est peu probable que vous bronzez avec l'utilisation de ce produit.

Questions au sujet des ventes ou de service:

Heartland Tanning, Inc. • Lee's Summit, MO – 1-800-554-8268

Suivez le programme recommandé d'exposition pour le type de peau.

Cette appareil utilise des lampes de l'ultra-violet A. Remplacez seulement avec les lampes de marque Heartland Rave Preferred lamps and Hereaus OH C 560 SF-80004457 500W for facials. La position minimum d'exposition est à 0,5 pouces 1,27 cm) de la surface de la lampe (instituez par le manufacturier). Lisez le livret d'instruction avant d'utiliser ce dispositif. Pour utiliser, couchez-vous sous l'écran et abaissez dans la mesure où le réglage laissera. **ATTENTION : L'UTILISATION DE N'IMPORTE QUELLE AUTRE POSITION PEUT AVOIR COMME CONSÉQUENCE LA SUREXPOSITION.**

Le bronzage peut commencer de façon régulière. Un aspect de bronzage normalement apparaît après quelques expositions et atteint son niveau maximal après quatre (4) semaines d'exposition. Utilisez des lunettes protectrice à chaque fois que l'appareil est active. Lisez le livret d'instructions avant l'utilisation.

HORAIRE D'EXPOSITION RECOMMANDÉ					
TYPE DE PEAU	SEMAINE 1 1^{ER}-3^E TREATMENTS	SEMAINE 2 4^E- 6^E TREATMENTS	SEMAINE 3 7^E- 9^E TREATMENTS	SEMAINE 4 10^E- 12^E TREATMENTS	BIHEBDOMADAIRE TRAITEMENTS SUBSÉQUENTS
II-CLAIRE	2 MINUTES	3 MINUTES	5 MINUTES	9 MINUTES	12 MINUTES
III-MOYEN	2 MINUTES	3 MINUTES	5 MINUTES	9 MINUTES	12 MINUTES
IV-FONCÉ	2 MINUTES	5 MINUTES	7 MINUTES	11 MINUTES	12 MINUTES
V-TRÈS FONCÉ	2 MINUTES	5 MINUTES	7 MINUTES	12 MINUTES	12 MINUTES

LE TEMPS MAXIMUM D'EXPOSITION EST DE 12 MINUTES
Ce produit est conforme aux normes de rendement pour des produits de lampe de soleil tel que stipule la partie 1040 du document CFR 21.



RELAMPING INSTRUCTIONS

**CAUTION: Replacement lamps must comply with CFR 21 1040.20
When ordering lamps, include model number and serial number.**

1. Disconnect power from the unit.
2. Remove the acrylic. (Refer to locking the canopy and removing the acrylics)
3. Turn the bi-pin lamp 90 degrees and remove from lamp holder.
4. Align the bi-pin lamp and slide the top and bottom into the lampholder turn 90 degrees.
5. Clean and replace the acrylic. (Refer to care and cleaning instructions.)

REPLACING FACIAL LAMPS

Note: Behind each facial filter glass there is a safety cutoff switch that will switch off the facial tanner in the event of missing or broken facial filter glass.

Do not operate the tanning bed with a defective, cracked, broken or missing facial filter glass. Severe injury could occur. Inspect occasionally and replace using only OEM original replacement filter glass.

1. Disconnect power from unit.
2. Remove the canopy acrylic. (Refer to removing the canopy acrylic.)
3. Remove the 2 screws from the glass frame.
4. Open the frame and pull outward as it will hinge open.
5. The facial glass is held in place by four retaining clips. Exercising caution, press the filter glass downwards until the glass is released from the upper springs and set aside for cleaning.
6. Using a soft cloth, remove the existing facial lamp by pushing lamp toward either holder. The holder is spring-loaded and will give allowing the lamp to be released from the opposite end. Pull towards you to remove.
7. To install the new lamp, reverse this procedure.

**NOTE: ONLY GRASP FACIAL LAMP FROM EITHER END; ALWAYS USE
ALCOHOL ON A TOWEL TO WIPE OFF LAMP AFTER INSTALLATION.**

**CAUTION: DO NOT CHECK FACIAL LAMP OPERATION WITH FACIAL
GLASS CASSETTE REMOVED.**

***ALWAYS WEAR UV PROTECTIVE EYEWEAR WHEN REPLACING LAMPS AND
CHECKING OPERATION.**

NEW BED DISASSEMBLY AND ASSEMBLY

Two people will be needed for the following procedures.

Disassembly

1. Remove the packing from the unit.



2. Secure the canopy in the open position by turning the Allen screw counter clockwise on the left side of the bed. Open canopy to maximum open position. To unlock the canopy, turn Allen screw clockwise. (Figure 1)



3. Loosen the canopy acrylic screws and tilt the acrylic downward. (Figure 2)



4. Disconnect the display wire. (Figure 3)
5. Remove the front façade.



6. Remove rubber bumpers from the right and left lateral covers and remove the screws underneath. (Figure 4)



7. Remove the front lateral covers. (Figure 5)
8. Remove the ducting pane.



9. Remove the tube covers. (Figure 6)



10. Pull out to remove the pin that locks the bench acrylic. (Figure 7)
11. Lift bench acrylic and pull upward to remove from hinged edge. (Figure 8)

NEW BED DISASSEMBLY AND ASSEMBLY



12. Lift up the plastic bench cover on the right side and disconnect the speaker wire. (Figure 8)



17. Lift the edge protection and pull the speaker wire upward. (Figure 11)



13. Remove the two top end covers from bench. (Figure 9)

14. Remove the front decorative lamp.



15. Remove the straight lateral parts from the bench section. (Figure 10)

16. Remove the pan head screws and remove the rear lateral back side sections on both ends.



18. Release the wire harness at the bench section and at the plug. (Figure 12)



19. Open the hose clamp on the air conditioning unit. Disconnect the plugs on the air conditioning unit and the condensation pump. (Figure 13)

NEW BED DISASSEMBLY AND ASSEMBLY



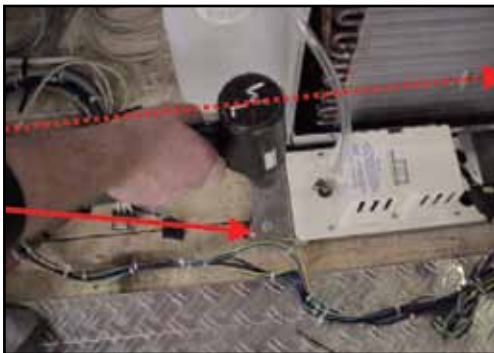
20. Remove the screws on the front left and front right from the bench section. (Figure 14)



21. Lift bench to remove toward front. (Figure 15)



22. Remove the shipping brackets from the service tray. (Figure 16)



23. Remove the shipping brackets from the Air conditioning unit. (Figure 17)

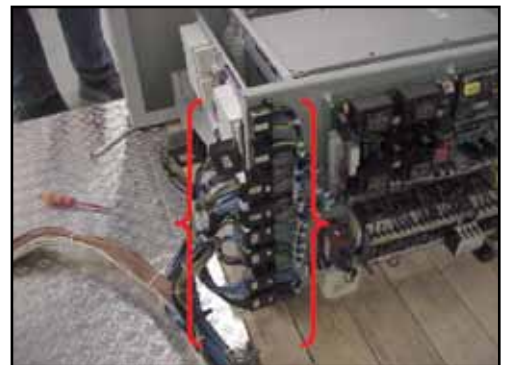
24. Remove the air conditioning unit from under the bed.



25. Disconnect the display cable. (Figure 18)



26. Disconnect the connecting lead. (Figure 19)



27. Disconnect plugs X3 through X8, P9A/B and P10A/B from main board. (Figure 20)



28. Remove the service tray from under the bed. (Figure 21)

NEW BED DISASSEMBLY AND ASSEMBLY



29. Lock the canopy in the open position and remove the four Allen screws that attach the canopy front edge cover. (Figure 22)



30. Remove the pan head screws from the lateral coverings at each end of the canopy. (Figure 23)



31. Pull forward to lift off lateral coverings. (Figure 24)



32. Remove the three aluminum cover strips. (Figure 25)



33. Release the tension from the canopy springs and disconnect the upper cables. (Figure 26)

ATTENTION: Do not attempt to disconnect canopy cables with tension on springs, damage to reflector plate could occur.



34. Unlock the canopy and lower. Use padding to prevent damage. (Figure 27)



35. Disconnect seven wire connectors from the canopy. (Figure 28)

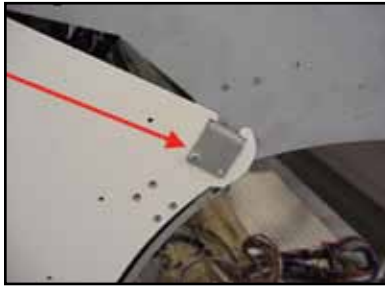


36. Locate the temperature sensor wire and pull the grommet out of the canopy. Pull the wire toward the backside. Pull the display wire out of the canopy. (Figure 29)

NEW BED DISASSEMBLY AND ASSEMBLY



37. Pull the canopy cables upward. (Figure 30)



38. Loosen the canopy safety plate. (Figure 31)



39. Lift and remove the canopy, set aside.
Remove the hinge covers, set aside. (Figure 32)



40. Gather the canopy harness and set in rear wall. (Figure 33)



41. Lateral sections; remove the transportation safety locks and the screws that connect to the rear wall. (Figure 34)

42. The rear wall can now be transported as a single unit.

Assembly

1. Position the rear wall in tanning room.
2. Install the right and left lateral sections, pull the speaker wire through, below the edge protection.
3. Using padding, set the front of the canopy down and lean the canopy against the rear wall.
4. Attach the locking plates and hinge covers.
5. Plug in all wire connectors into the canopy.
6. Insert the temperature sensor and display wires.
7. Insert the canopy cables through downward.



8. When assembling the canopy, make certain that the cable covers are installed below the brushes when the canopy is in the open position. (Figure 35)
9. Hinge the canopy cables on the right and left sides. Increase spring tension.
10. Install canopy cover and install the pan head screws into the lateral sections.



11. Install the three aluminum cover strips installing the center section first then the two end strips. Hinge into place and align as needed. (Figures 36, 37)
12. Install the grip edge.

NEW BED DISASSEMBLY AND ASSEMBLY

13. Install the canopy acrylic on the hinge and connect the display wire. Close the canopy acrylic aligning the air nozzles in the acrylic.

14. Adjust the canopy spring tension so the canopy will stay open in any position.

15. Install the service tray and connect the wire connectors. Connect the main wiring and display wire.

16. Install the air conditioning unit and connect all wires and hoses.

17. Install the bed section on the bench section, install screws and secure.

18. Connect the wire harness to the bed and secure the air hose to the air conditioning unit.

19. Install the decorative lamp in the front of the bench.

20. Install and secure the bench acrylic.

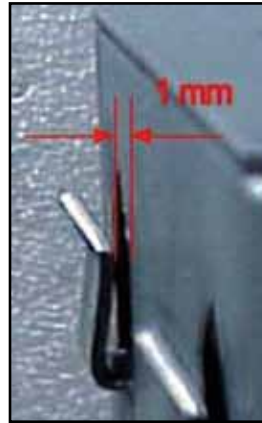
21. Install the lateral parts of the rear wall.

22. Install the upper lateral covers. Connect speaker wire if applicable.

23. Install the lamp covers.

24. Install the ducting pane.

ATTENTION: The ducting pane must be installed correctly for the bench acrylic to cool properly.



25. Install front lateral covers and secure with screws. (Figure 38, 39)

ATTENTION: Hooks may have bent during shipping, gap should be 1 mm.

26. Inspect the front covers to make sure that they are flush with the lateral covers.



27. Insert rubber bumpers. (Figure 40)

28. Close and secure the bench acrylic.

29. Install the remaining lateral covers and secure.

LOCKING THE CANOPY

Secure the canopy in the open position by turning the Allen screw counter clockwise located on the left side of the bed. Lift canopy to maximum open position and canopy will lock into place. To unlock canopy, turn Allen screw clockwise. The bench acrylic may be attached to the canopy while it is locked into the maximum open position using the bench suspension tool.

ADJUSTING THE CANOPY

To keep the 7400 canopy drive in good working order, inspect the spring cables when relamping. Should the canopy not stay in the fully open position, the canopy spring tension will need to be increased. Remove the lower canopy acrylic (see below). Notice the two Allen tension bolts, one in each lower corner inside the canopy. Tighten both equally. After a few turns each, test canopy operation making sure canopy will stay in the fully open position. Reinstall lower canopy acrylic.

REMOVING THE ACRYLICS

Canopy

Open and lock canopy as described above. Remove the four canopy acrylic screws, located in the aluminum edging, and tilt the canopy acrylic downward to remove. Exercising caution, carefully swivel the hinged aluminum edging to release. If needed, carefully pull in the middle. When reinstalling the canopy acrylics, reverse the removal procedure. Be certain to align all the air nozzle openings with the air nozzles and secure the four canopy screws.

Bench

Lock the canopy in the maximum open position as described above. Remove the slot head screws on both ends of the bench acrylic. The front of the bench acrylic can be lifted and attached to the canopy using the bench suspension tool or the bench acrylic may be removed by pulling the bench acrylic out of the hinged rear aluminum edging. To reinstall the bench acrylic, reverse the removal procedure. The edging may need to be slightly tilted to insert the acrylic. Secure the slot head screws on both ends of the bench acrylic.

REFILLING / CHANGING AROMA AND AQUACOOOL

Aroma and AquaCool

The gel tin and water tank are located in the base of the tanning bed between the air conditioning unit and the service tray. Open the lower front base facade to routinely inspect the level of the gel tin and the water tank. When the content of the container is low, replace as needed.

Aroma

Pull the holding unit forward. Move the covering handle on the lid of the gel tin to the left and hinge upward allowing the gel tin to be removed. Inspect or replace as needed.

How to reset the Aroma

1. PRESS KEYS 161 TO ENTER THE PROGRAMING MODE.
2. PRESS KEYS 1111 TO ENTER PIN 1
3. PRESS KEY 5 OR 0 TO NAVIGATE TO "AAC"
4. PRESS START TO SELECT "AAC"
5. PRESS KEY 5 OR 0 TO NAVIGAET TO "AROMA"
6. PRESS START TO SELECT "AROMA"
7. PRESS KEY 5 OR 0 TO NAVIGATE TO "AR CONT. ___ %".
8. PRESS START TO SELECT "AR CONT ___ %",
9. PRESS KEY 1 TO RESET TO 99%.
10. PRESS STOP TO NAVIGATE BACK TO THE OPENING SCREEN.

AquaCool

Pull the holding unit forward. Unscrew the lid with the hoses from the tank. Inspect or replace tank. Reinstall lid and secure.

How to reset the AquaCool

1. PRESS KEYS 161 TO ENTER THE PROGRAMMING MODE
2. PRESS KEYS 1111 TO ENTER PIN 1
3. PRESS KEY 5 OR 0 TO NAVIGATE TO "AAC"
4. PRESS START TO SELECT "AAC"
5. PRESS KEY 5 OR 0 TO NAVIGATE TO "AQUA".
6. PRESS START TO SELECT "AQUA".
7. PRESS KEY 5 OR 0 TO NAVIGATE TO "AQ CONT. ___ %".
8. PRESS START TO CONFIM.
9. PRESS STOP TO NAVIGATE BACK TO OPENING SCREEN.

CAUTION: Keep the tubes clean when changing tank by inserting tubes into a plastic bag. Only use aquacool water intended for use in the aquacool system. Failing to use the aquacool water could result in clogged nozzles, which may produce infections.

Push holding unit back into place and reinstall lower front base facade.

AIR SYSTEM MAINTENANCE

To ensure optimum performance, routine maintenance is required.

ACS

ACS controls the intensity of the exhaust air determined by the temperature. The Crimsun is equipped with sensor systems that measure the exhaust air temperature and adjust the fan speed accordingly. Example, low temperatures the fan will operate at a low rate of speed and high temperatures the fan will operate at a high rate of speed.

ACS also controls the body ventilator. Example, when the tanning session begins the fan speed is low and then slowly increases during the session. The customer can change the fan speed manually. Once the fan has been adjusted manually, the auto fan system is switched off.

Filter Mats

Air is drawn through the filter mats to cool the bed. The filter mats must be kept clean to insure cooling efficiency. It is recommended that the filter mats be cleaned or replaced every 100 hours. Only use OEM replacement filter mats. There is one filter mat in the canopy and one filter mat in the base. The canopy filter mat is located on the backside of the canopy. Carefully pull out the filter mat to prevent tearing. The base filter mat is located behind the decorative lamp. Open the bench acrylic, remove decorative lamp and the filter mat is located behind the lamp. To clean filter mats, use a few drops of mild dishwashing detergent in a sink full of water. Rinse thoroughly with clean water. Allow filter to air dry before reinstalling. It is recommended to have an extra one of each filter mat so the bed is always available for use.

Air Conditioning Unit

To insure maximum performance from the air conditioning unit, the heat exchangers must be cleaned each time the lamps are replaced. Open the base facade and vacuum the heat exchangers. At this time also inspect the air hose connection and condition. Make sure hose is not kinked or obstructed. Should the hose be damaged, discontinue use of the bed until repaired or replaced. Defective hoses will cause overheating and damage the bed. Inspect the operation of the condensation pump. Slowly add water to the condensation pan beneath the air conditioning unit. Check to make sure that the water is pumped out with the pan approximately half full. There must be power to the bed to allow the pump to operate. The water is pumped into a condensation tank. Empty the condensation tank after testing the pump. The condensation tank must be emptied daily.

Exhaust Air

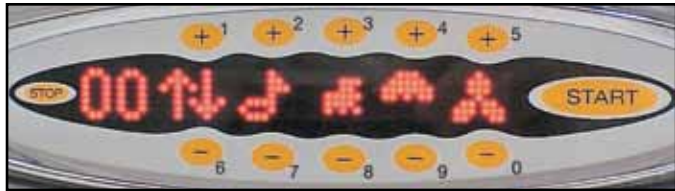
This system needs to be inspected and maintained to prevent overheating. The exhaust air hose must not exceed 19'8" unless an additional fan is installed. Inspect the hoses behind the bed for kinks. Adequate intake air ventilation and exhaust air extraction is required to keep the bed as cool as possible to prevent overheating which will damage the bed.

8.6 Error message

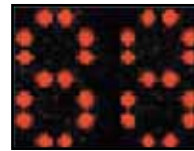
Error message “Abluft“ oder “Windschalter“	<p>This error message is displayed on the operating panel and can be acknowledged by pressing the “Stop“ key. Prior to this, service staff has to find the reasons of these error messages. Possible reasons can be:</p> <ul style="list-style-type: none">• temperature in the unit is too high• exhaust vent system is defective
Error message “Ende der Besonnung“ „End of tanning session“	<p>This message will be displayed after 40 minutes of uninterrupted operation of the tanning system. By turning off the coin-operated system this message is acknowledged.</p>
BUS-Error	<p>Daten line of the Bus I²C-Bus is disturbed</p> <ul style="list-style-type: none">— 220 V is missing at MP3-Player or Audio Switch— Bus connector at MP3-Player in wrong position
E01BUS:ABL	<p>There is not any data link between the controller board and the revolution control...</p> <p>Reason: defective or not connected I²C revolution control.</p>
E02:BUS:TMP	<p>Reason: defective or not connected I²C temperature sensor.</p> <p>Solution: press the START key. The blower is running with max. revolution during the temperature controll.</p>
E04:BUS:VOIC	<p>Reason: There is not any data link between the controller board and the MP3 player Voice.</p> <p>Solution: press the START key. The controller is working as one w/o megaVoice.</p> <p>Reason:</p> <ul style="list-style-type: none">— missing soldering bridge on MP3-Player megaVoice,— SD card not readable— formatting or wrong inserted,— Plug at MP3 interface or at I²C Audio switch is inserted uncorrect.
E05BUS:REL	<p>Conguration error: I²C-Relay board (8) an I²C Relais board (2) at the same time connected.</p>

DISPLAY PANEL / OPERATION

The Crimsun 48/4 requires a T-Max 3-A remote timer if installed into a T-Max timer network. Once time has been sent to the T-Max 3-A remote timer, push the Start / Stop button to start the tanning bed or wait for the delay time to expire. The Crimsun 48/4 control panel can now be used to control all functions of the bed. After the warm-up time has elapsed, the tanning lamps turn on automatically and the display will show the session time. After a short delay, the facial tanner will automatically turn on.



Display Panel Once the Crimsun 48/4 has been enabled by the remote timer system, the bed is ready for use. Touch the corresponding buttons on the display panel to operate the bed. The display panel will beep to confirm your request. The session time is always indicated on the display panel, up to a maximum time of 12 minutes.



NUMERICAL DISPLAY: Displays session running time, music volume percentage and body fan speed percentage. The display will return to session running time after an adjustment

is made to either music volume or the body fan.



A function is switched on by pressing the plus sensor. This sensor also increases the desired feature step by step. To set the maximum feature value, press repeatedly until the desired value is achieved.



A function is switched off by pressing the minus sensor. This sensor also decreases the desired feature step by step. To set the minimum feature value, press repeatedly until the desired value is achieved.



START: Use this touch key to switch on the Crimsun 48/4 during the warm-up time. If the session has been interrupted by pressing the "STOP" key, the session may be continued by pressing the "START" key, provided that the session time has not expired.



STOP: By pressing this touch key for at least 2 seconds, the session can be terminated prematurely.

MENUS: The Crimsun 48/4 display panel has 4 menus. The main menu is the first menu that appears after the bed on. From left to right the icons are as follows; Numerical Display, Up and Down Arrows, Music Note, AquaCool, Face Tanner and Body Fan.



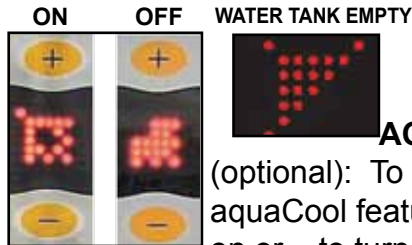
UP AND DOWN ARROWS: The double arrows point to 3 additional menus. Access the 3 menus by pushing the + or - touch key above or below the double arrows. Pushing the + or - touch keys above or below the

double arrows accesses the next menu.

(To proceed to the next menu see MUSIC CHANNEL AND AIR CONDITIONING on next page)



VOLUME: The volume can be adjusted by pushing + to increase the volume or – to decrease the volume. The volume will be displayed in the numerical display field from 0% to 99%.



AQUACOOL (optional): To control the aquaCool feature push + to turn on or – to turn off the aquaCool

upper body misting system. The display flashes a signal when the function is not activated.



FACIAL TANNER: The facial tanner has 3 settings. When the unit first comes on the facial tanners are on the maximum setting. Push – to reduce the output of the facial tanner, push – a second time will turn off facial tanner.

Push + to turn back on facial tanner and push + again to set facial tanner to maximum output.

NOTE: Once the facial tanner is turned off there will be a delay before the facial lamps will come back on due to necessary cooling of the lamps.



BODY FAN: When the unit comes on the body fan speed is set at 60%, shown in the numerical display. Push + to increase speed or – to decrease body fan speed.



MUSIC CHANNEL AND AIR CONDITIONING: From the main menu push + above the double arrows to navigate to the next menu that allows changes to be made to the music channel and the air conditioning. The circular icon indicates music channel, push + or – to change channel. The snowflake icon indicates air conditioning, push + to turn on or – to turn off air conditioning.



AROMA: From the previous menu push + above the double arrows to navigate to the next menu that allows changes to be made to the Aroma feature. Push any of the + touch keys to turn on or push any of the – touch keys to turn off Aroma feature.



MEGAVOICE: From the above menu push + above the double arrows to navigate to the next menu that allows changes to be made to the megaVoice feature. Push any of the + touch keys to turn on or push – to turn off megaVoice feature. Push + to return to the main menu.

AS THE SESSION ENDS: As soon as the session expires a program to shut down the Crimsun 48/4 begins. A soft voice reminds you of the end of the tanning session and says good-bye. Facial lamps, body lamps and the ventilation system will be reduced step by step as the Crimsun experience comes to a close.

USE AND GUIDE TO T-MAX TIMER SYSTEM

THE FOLLOWING INFORMATION PERTAINS TO THE USE OF A T-MAX TIMER SYSTEM NETWORK USING THE T-MAX 3A, T-MAX THE MANAGER, T-MAX MANAGER PLUS OR T-MAX MANAGER PRO.

The information in this manual is believed to be correct. However, Applied Digital, Inc. assumes no responsibility for any errors herein. This information is subject to change without notice, and should not be construed as a commitment by Applied Digital, Inc. A factory 3 second delay between all functions is standard on all Ovation™ beds.

T-Max Installation and User's Guide

CONFIGURATION

Setting Parameters

Note: If you are using a T-Max The Manager, T-Max Manager/Plus or T-Max Manager Pro and multiple T-Max Timers, remove power from the T-Max The Manager, T-Max Manager/Plus or T-Max Manager Pro keep the power removed until all parameter changes are complete.

1. Press and hold the Start/Stop and the Up buttons simultaneously on the T-Max 3A Timer. As soon as you see a ".1" on the display release the buttons. This should take about 5-6 seconds. This is an indication that you are in the parameter mode. The numbers currently displayed represents the parameter number that you can observe or change.
2. Press the Up or Down buttons until the parameter number that you want to observe or change is displayed.
3. Press the Start/Stop button. The current value for that parameter will be displayed and flashing.

The T-Max 3A Timer will show a number with a period illuminated in the lower center of the display. The number shown is the current value for that parameter.

For Lamp, Session Counts, etc. the value displayed can be as high as 9999. To display this value, the T-Max 3A Timer will flash two numbers-three times, then two numbers-three times, pause, two numbers-three times, two numbers-three times, pause, etc. For example, if you are checking lamp hours (Parameter 6) and the display flashes the numbers 53 three times, then 14 three times, pauses then repeats, then the total lamp hours stored in that T-Max 3A Timer is 5314.

4. Press the Up or Down buttons to change the parameter to the desired value. If you want to clear the value for that parameter, press the Up and Down buttons at the same time until the display shows 0.0.
5. Press the Start/Stop button. The display will show the solid parameter number you just changed and a solid period in the lower center of the display. You may now change another parameter by pressing the Up or Down buttons until the parameter that you want to change is displayed. Repeat Steps 2-4 for each parameter you want to change.
6. To exit the Parameter mode and make the T-Max 3A Timer available for the next session, press and hold the both Up and Down buttons until the display shows a 0 with no periods displayed.

SETTING THE ADDRESS

Note: If you are using the T-Max 3A Timer as an independent timer, you don't need to set the address on the T-Max 3A Timer.

1. Press and hold the Start/Stop button and the up arrow simultaneously on the T-Max 3A Timer until a .1 appears on the display. Release the buttons. This should take about 5-6 seconds.
2. Press and release the Start/Stop button. A number will appear on the display and be flashing. A period will be illuminated in the center of the display. Pressing and holding the Up button will cause the display to count up. Once the count reaches 100, the center period will flash rapidly. This is an indication that you are over 99. For example, if the display shows a 0.2 with the period flashing, this is address 102. The highest the display will count up is 255.
3. Press the Up or Down buttons until the desired address is displayed. When setting the address, remember 3 rules:
 - A) Set each T-Max 3A Timer to a unique address.
 - B) Do not set any address to 0.
 - C) Do not set any address over 100 (unless you have over 100 beds and at least two T-Max Manager Pros).
4. Press the Start/Stop button. The ".1" will appear on the display. The 1 will not be flashing.
5. To exit, press and hold both Up and Down buttons until the display shows a 0 with no periods displayed.

Table 1 - Parameter numbers for observing and changing parameters.

Param.#	Description	Max #	Default	Notes
Salon Level				
1	Address	128	1	Set this number to the room number you want the timer to be
2	Beep Mode	1	0	Used for High Power beds. 0=Alarm Only, 1=Alarm and Flip
3	Delay Time	10	3	Delay in minutes stored in the T-Max Timer
5	Session	65535	0	Total Session counts for T-Max Timer Counts
6	Lamp Hours	65535	0	Bulb hours for each bed
7	Bed Hours	65535	0	How may hours a bed is on
8	Manual Session Counts	65535	0	Counts the # of sessions the T-Max Timer Session has run while in Stand Alone Mode
9	Clean Room	1	1	0 = Clean Room Disabled. 1 = Enabled
10	Manual Lockout*	1	0	0 = Stand Alone Enabled. 1 = Disabled
13	Cool Down Mode	10	3	0 = Disabled, 1-10 = Enabled. Time delay in minutes allowing bed to cool. The fans will remain running while the T-Max Timer is in cool down mode.
14	5 Min. Beep	1	0	0 = Disabled, 1 = Enabled. T-Max Timer will beep for 10 seconds every 5 minutes
15	Fixed Session	65535	0	Counts number of sessions ran through the TMax [®] 3A. This value cannot be changed at all. Used as point of reference.
16	Pulse Mode	1	0	0 = Disabled, 1 = Enabled. When session starts, the relay on the T-Max [®] 1A will close for 1-2 seconds then open.
17	Clean Clear	1	0	0 = Press and hold the Set button for 3-4 seconds to clear the clean room. 1 = Press and release the Set button to instantly clear the clean room.
18	Redisplay	2	0	0 = After a session ends and the clean room is cleared, the T-Max Timer will show a 0. 1 = After session ends and the clean room is cleared, m the T-Max Timer will show the last session time entered. 2 = After the session ends and the clean room is cleared, the max. time will show on the T-Max Timer.
19*	Third Part Interface	1	0	When set to a 1, voltage must be applied be an outside source to the TPI input on the back of the T-Max Timer. Used is the timer is being controlled by either a FST [®] or Database [®] Series Timer. See Section for JPI settings

Setting Delay Time

If the T-Max 3A Timer is being controlled by T-Max Manager, T-Max Manager/Plus or T-Max Manager Pro the delay does not need to be set on the T-Max 3A Timer. The delay is controlled by the controlling device.

1. Press and hold the Start/Stop and Up buttons simultaneously the T-Max 3A Timer until a ".1" appears on the display. Release the buttons. This should take about 5-6 seconds.
2. Press the Up and Down button until a ".3" is displayed.
3. Press and release the Start/Stop button. A number will appear on the display and be flashing. A period will be illuminated in the center of the display. This is the current delay time.
4. Press the Up or Down button until the desired delay time is displayed. The highest delay time that can be set on the T-Max 3A Timer is 10 minutes. If you want no delay time, set the display to 0. If you set the delay time to 0, the session time will start immediately after the Start/Stop button is pressed.
5. Press the Start/Stop button. The ".3" will appear on the display. The 3 will not be flashing.
6. To exit, press and hold both the Up and Down buttons until the display shows a "0" with no periods displayed.

IN-ROOM SINGLE BED CONTROL

Starting A Session

1. Press the Up or Down button on the T-Max 3A Timer until the desired session time is displayed. If the display shows a 0, and you want to count down from the maximum time, press the down button.
2. Press and release the Start/Stop button to start the session. If a delay other than 0 is entered, the delay will count down. A period on the lower right corner of the display will flash rapidly. When the session starts, the period will flash at a once per second rate. If the delay is set to 0, the session will start immediately.

Pausing A Session

To pause the session press the Start/Stop button. The flashing period on the lower right corner of the display will stop flashing and stay illuminated. To restart, press the Start/Stop button on the T-Max 3A Timer. The period on the lower right corner of the display will resume flashing.

NOTE: The session time will continue to count down. The display will continue to update and reflect the remaining session time.

Canceling A Session

To cancel a session, press the Start/Stop button to pause the session then press and hold the Up button. The display will show a solitary 0.

REMOTE SINGLE BED CONTROL

Remote Single Bed Control is the ability to control a single tanning bed from a remote location. Another T-Max 3A at the remote location is required for this configuration.

Wiring

Wire the T-Max 3A Timer to the tanning bed. Apply power to the T-Max 3A as described in their respective User's Guides.

Run the provided modular cable from the tanning room to the remote T-Max 3A. Connect the modular cable to one of the RJ-22 ports on the T-Max 3A Timer.

Configuration

Set the address on the T-Max 3A Timer in the tanning room to 1. Set the address on the remote T-Max 3A to .0 for setting the delay refer to the T-Max 3A user's guide.

Note: When setting the address on the T-Max 3A Timer in the tanning room, the power to the front desk T-Max 3A must be off.

Session Control

Starting a session

1. Press the Up or Down button on the T-Max 3A at the front desk until the session time is displayed. Time cannot be set from the T-Max 3A Timer in the room.
2. Press the Start/Stop button on the front desk T-Max 3A to start the session.

If a delay other than 0 is set, the delay will count down. A period on the lower right corner of the display will flash rapidly. When the session starts, the period will flash at once per second rate. If a 0 delay is entered, the session will start immediately.

Pause during the Session

To pause the session press the Start/Stop button on the T-Max 3A Timer in the tanning room. The flashing period on the lower right corner of the display will stop flashing and stay illuminated. To restart the session, press the Start/Stop button on the T-Max 3A Timer in the tanning room. The period will continue flashing.

Note: The session time will continue to count down. The display will continue to update and reflect the remaining session time.

Canceling a session

To cancel a session, press both the Start/Stop and Up button on the T-Max 3A at the front desk simultaneously. The session cannot be canceled from the T-Max 3A Timer in the room.

USING THE T-MAX 3A TIMER WITH A T-MAX MANAGER OR T-MAX MANAGER/PLUS/PRO

If you are using T-Max 3A Timers with a T-Max Manager or T-Max Manager/Plus, follow these instructions for proper operation:

If you need to set the address on the T-Max 3A Timer manually, be sure to set each T-Max 3A Timer to a different address. No T-Max 3A Timer should be set to address 0.

Connect each T-Max 3A Timer together using a modular cable that conforms to the pinouts. Connect T-Max Manager, T-Max Manager/Plus or T-Max Manager Pro to the closest T-Max 3A Timer in the line (refer to Figure C).

Note: Delay is controlled by the T-Max Manager, the T-Max Manager/Plus, T-Max manager Pro or the software you are using if you are using a computer. It is not necessary to set the delay on the T-Max 3A Timer. Refer to the T-Max Manager, T-Max Manager/Plus or T-Max Manager Pro User's Guide for operation.

OTHER FEATURES

Clean Room

Once a session time has elapsed, the display will show two solid periods only. This is an indication that the room needs to be cleaned. To clear the clean room indication, press and hold the Up button on the T-Max 3A Timer in the tanning room until the two period disappear and a "0" appears. To disable the clean room feature, set parameter 9 to a 0.

Lamp Hours

To check and change Lamp Hours, or any other parameter, see table 1.

TPI (Third Party Input) Mode

If you are using a FST or Database Series timers, you will need to place the T-Max 3A Timer in the TPI mode.

Connecting the TPI Input

1. Set Parameter 19 to a 1.
2. Connect the two actuator wires from the FST or Database timer to the TPI input in the back of the T-Max 3A timer. When a session is started the FST timer will place 5v on these two wires. If you are using a database Series timer, 24 volts will be applied.

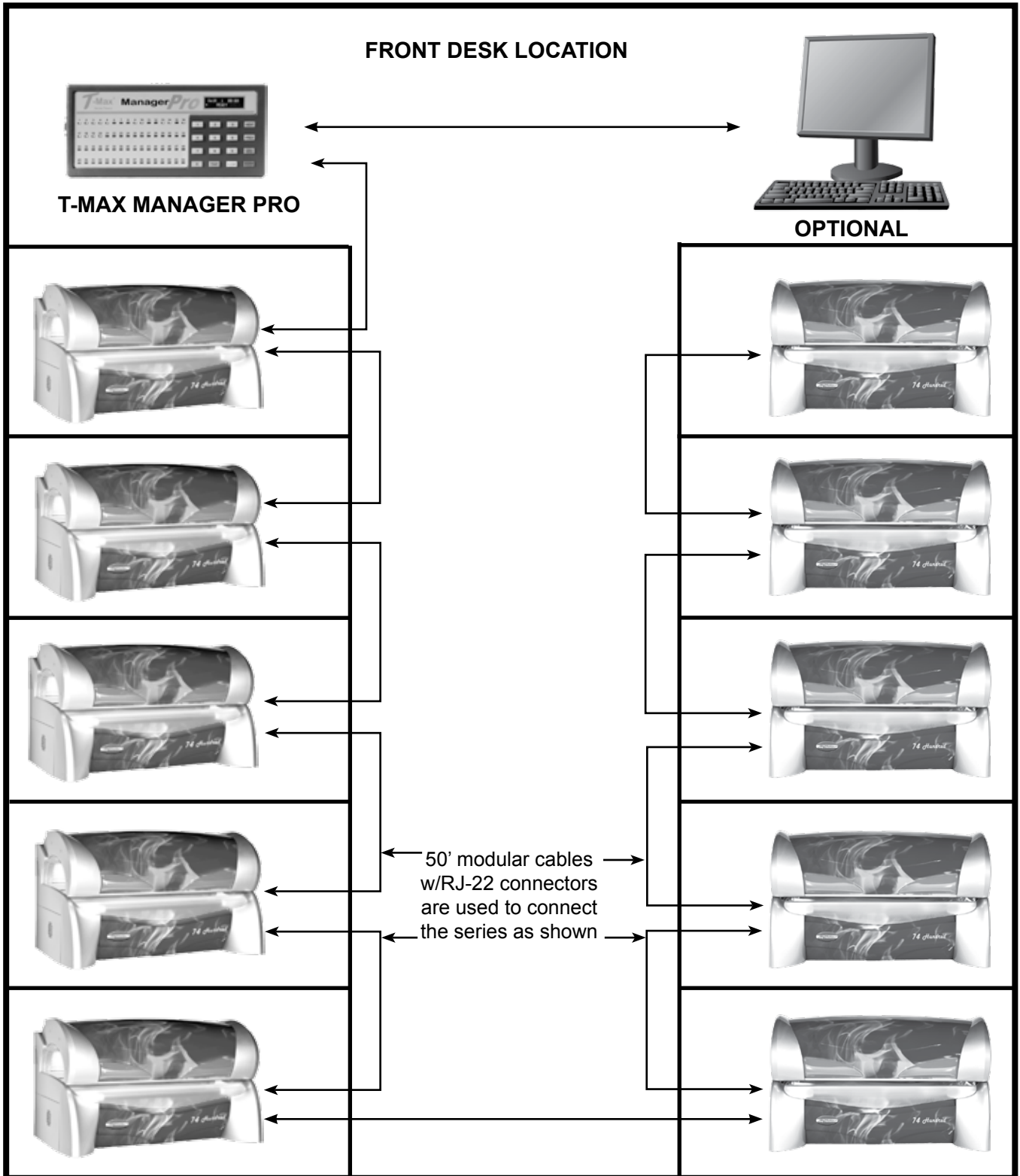
Operation

When a session is started, voltage will be applied to the TPI input. The display on the T-Max 3A Timer will show the maximum time and count down. When the session ends, the voltage will be removed from the TPI input and the bed will turn off. Any remaining session time showing on the T-Max 3A Timer will be eclipsed.

Note: The T-Max 3A timer can not be used as a stand alone time in the TPI mode.

If the FST or Database Series timers are in delay the T-Max 3A Timer will show a 0. However, pressing the Start/Stop button on the FST or Database wallplate timer will eclipse the delay time and start the session.

FIGURE C - Connecting the T-Max Timer Network



It does not matter in which order the rooms are connected. The only requirement is that there is a continuous connection from the T-Max[®] Manager through each room in the T-Max[®] Series Network.

7400 DIMENSIONS

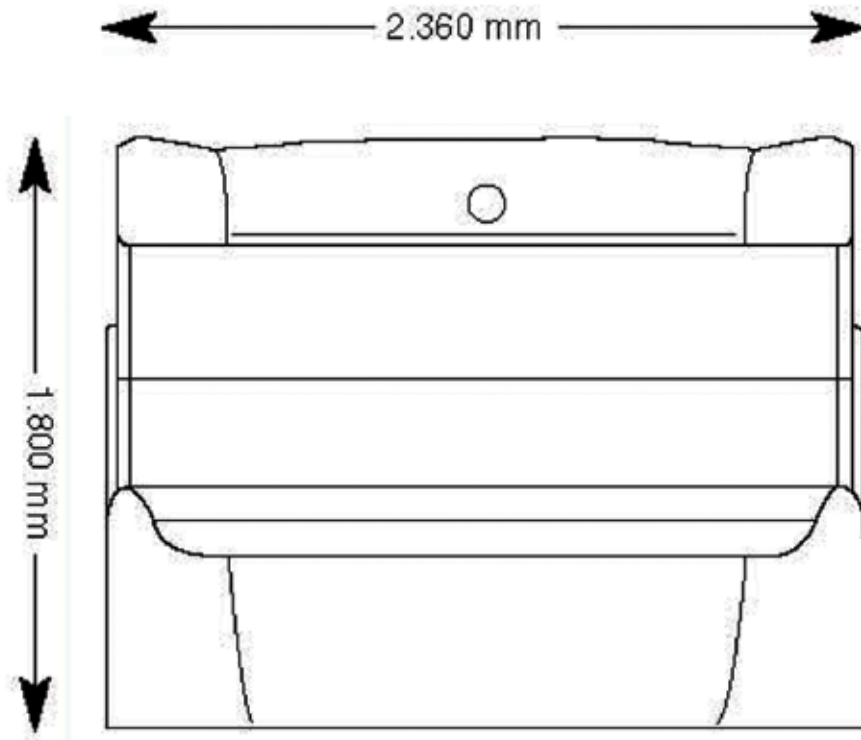
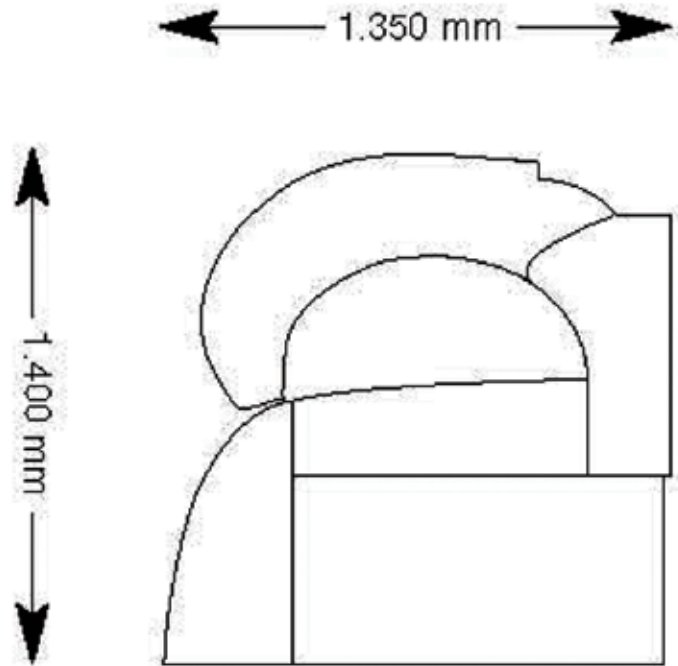
Dimensions

closed

92,91'' x 53,15'' x 55,12''
(length x width x height)

open

92,71'' x 53,15'' x 70,87''
(length x width x height)



LIMITED WARRANTY

Heartland Tanning, Inc. warrants its products to be free from defects in materials and workmanship under intended normal use as described in the unit's Operation and Instruction Manual, for a period of five (5) years from date of sale. This Limited Warranty applies only to the original purchaser of the equipment through Heartland Tanning, Inc. or its authorized dealer or distributor, and is not transferable. Heartland Tanning, Inc.'s obligations under this warranty are limited to repair or replacement of any defective part without charge for that part to the original purchaser, with the following exceptions:

- A. Low Pressure tanning lamps are warranted against defects for a period of sixty (60) days from date of sale.
- B. High Pressure tanning lamps are warranted against defects for a period of thirty (30) days from date of sale
- C. Five (5) year Limited Warranty on parts. Only parts obtained through Heartland Tanning, Inc., its authorized dealers or distributors may be used. Transportation cost for parts shipped to the consumer and the return of defective parts to Heartland Tanning, Inc. are not included
- D. Labor will be furnished without charge for ninety (90) days from the date of purchase only. All labor and related charges must be authorized by Heartland Tanning, Inc. prior to start of repairs, and must coincide with Heartland Tanning, Inc. established rates and time allotment policy.
- E. All fans are warranted against defects for a period of five (5) years from date of sale.
- F. Timer system warranted for one (1) year.
- G. Acrylic, warranted for twelve (12) months prorated.
- H. Springs warranted for twelve (12) months.
- I. Filter Glass warranted for twelve (12) months.
- J. Plastic parts warranted for (12) twelve months. (end caps, timer covers, façades, skins)
- K. Audio components warranted for one (1) year.

It is imperative that the original customer completes and returns the enclosed warranty card within ten (10) days after purchase to insure valid registration and coverage for potential claims. If the warranty card is not registered, proof of purchase from Heartland Tanning, Inc. or its authorized dealer or distributor will be required prior to any consideration on warranty claims. This could result in service delays. This warranty is extended to the individual or legal entity, whose name appears on the warranty registration card filed with Heartland Tanning, Inc., or whose name appears on the original sale document and may not be transferred to any other individual or legal entity. This warranty does not apply to any failure of the product or any parts of the product due to alterations, modifications, misuse, abuse, accident, improper maintenance and improper installation or if the serial number on the product has been removed, altered, or defaced. Adequate packaging must be used for returned goods to prevent freight damage.

THIS WARRANTY IS EXPRESSLY IN LIEU OF ALL OTHER WARRANTIES, EXPRESSED OR IMPLIED, INCLUDING THE WARRANTIES OF MERCHANTABILITY AND HEARTLAND TANNING, INC. NO PERSON, FIRM OR CORPORATION IS AUTHORIZED TO OBLIGATE HEARTLAND TANNING, INC. FOR ANY LIABILITY IN CONNECTION WITH THE SALE OR USE OF THESE GOODS.

This warranty gives you specific legal rights, and you may have other rights, which vary from state to state.

NOTICE: Any misuse, abuse, modifications, alteration, improper installation, etc. of this product or its intended use will subject said party to direct responsibility for any and all consequences resulting from such action. Furthermore, such actions will void all warranties and may relieve Heartland Tanning, Inc. of any liabilities relating to said product.