

puretan

Americana 515

OWNERS MANUAL

**Asterisk, Inc.*

Manufacturers for:
puretan International, Inc.
14848 Venture Drive
Dallas, Texas 75234
800-338-8267

This product is in conformity with performance standards for sunlamp products under 21 CFR part 1040.

MANUFACTURER:

ASTERISK, INC.
14848 VENTURE DR.
DALLAS, TX 75234

CURRENT: AMP WATT

AC VOLTAGE: HERTZ:

SERIAL NO:

MANUFACTURED:

MODEL:

QC

UVA SOURCE:

**CAUTION: DISCONNECT POWER CORD FROM SUPPLY CIRCUIT
PRIOR TO SERVICING UNIT.**

TABLE OF CONTENTS

	Page
Introduction.....	1
Exposure Time and Schedules.....	2
Cleaning and Repairs.....	3
Assembly and Operation.....	4
Maintenance.....	6
Installing Remote Control.....	7
Trouble Shooting.....	8

Protecting the eyes

Ultraviolet radiation in the uv-b and uv-a regions may cause eye damage. **puretan** therefore provides protective eyewear with each piece of tanning equipment and recommends their use during each tanning session. Use protective eyewear type Interexco Gironde 12, 3831 AB LEUDSEN, Cat. No. 5653/1S color green, or other quality eyewear assessed by the Department of Health and Human Services (FDA) whenever the product is energized.

Exposure time and schedules

Control of exposure times is provided by means of a timer incorporated in the equipment. The maximum recommended exposure time of a tanning session is 20 minutes. During this time the use of the protective eyewear provided with your Americana 51/5 is recommended. Following the recommended exposure times at the end of this section should produce results within one to four sessions.

Caution

The length of exposure in new equipment or in equipment recently refitted with new lamps should be reduced by 20% to limit the possibility of erythema. This reduction should remain in effect for a minimum of 50 hours from the time of installation.

Minimum use distances

The recommended exposure position for the Americana 51/5 is lying on the contoured acrylic surface of the sunbed, and under the acrylic surface with the sunroof in the closed position. The minimum use distance is limited by the acrylic surface of the sun bed and may be no less than 1.5" from the acrylic on the sunroof as set forth by the Department of Health and Human Services (F.D.A.)

Exposure times for lamp types: **Puretan S+**, **Spectralarium R+** or **Wolff Bellarium "S"***

WEEK	1	1	1	2	2	2	3	3	3	4	4	4
SESSIONS	1	2	3	1	2	3	1	2	3	1	2	3
MIN. PER DAY	3	3	5	5	7	7	10	10	12	15	18	20

A spacing of 24 hours between sessions is recommended. It may take between 1 to 4 exposures before the expected results appear.

*Trademark of Wolff Systems Technology

Assembly and Operation

Carefully remove sunbed unit from the carton marked "sunbed", and lay it on carpet or similar surface (to prevent scratching) with the acrylic side down (see figure 1).

Remove the power bases from their boxes (marked "power" and "dormant"), and slide the component drawers out after removing the four holding screws on each face plate.

Locate the eight (8) machine screws and lock washers provided and attach the legs as shown in figure 1. When the legs are securely fastened, turn the unit over so that the acrylic side is up and the unit is standing on its legs.

Attach the lift assemblies to the sunbed unit end plates with the four 3/8" x 1 3/4" allen cap bolts and black flat washers provided (see figure 2). Your Americana 51/5 sun system is a precision piece of equipment, and the tolerances are very close. Therefore, be certain that when tightening the bolts, you alternate two or three turns on each bolt position in order that the lift assemblies come in contact with the end of the sunbed uniformly. Locate the stabilizing bar and insert it between the lift assemblies at the lower rear corners. Line up the clearance holes with the threaded ends of the bar and secure with two 3/8" x 3/4" allen cap bolts and black flat washers provided.

Carefully remove the sunroof from the container marked "sunroof" and lay it on carpet or similar surface with the acrylic side down. Lay foam packaging material or similar protection on top of the aluminum profile extrusions of the sunbed to prevent damage while installing the sunroof.

The sunroof unit is heavy and the following exercise will require four people for a proper and safe installation: Lift the sunroof, acrylic facing down, and place on top of the sunbed, making sure that the rear "hinge shafts" on the sunroof rest in the "saddles" of the lift assemblies (see figure 3), and the front sunroof profile is resting on the protective material previously installed on the sunbed. Locate and install the two 1/2" x 1" safety shoulder bolts through the clearance holes in the lift assemblies and into the threads on the hinge shaft.

Insert the component drawers into the leg housings. Slide the drawer with the timer and hour meter into the right leg housing, and the drawer with the plain face plate into the left leg housing.

Be sure you have inserted the component drawers into the leg housings for counter balancing before continuing the next assembly procedure. Locate the gaspistons, and remove the metal retainers by twisting them out and away from the socket, and then straight toward the center of the gaspiston for removal. Set the gaspistons aside and close at hand taking note of the positions of the "ball bolt" locations on the sunbed and sunroof (see figure 3).

Maintenance

It is recommended that every three (3) months due to heat expansion and contraction, wire connections are tested in the power bases. **Disconnect power cord from wall receptacle** and remove the component drawers as outlined on page 8, instruction "5". Gently pull on wires at connections on ballasts, capacitors, terminal strips, relay and timer with a "needle nose" pliers. Test and tighten any loose connection screws with a small screwdriver.

Removing Acrylic Shield

Disconnect power cord from wall receptacle. To remove the acrylic shield for cleaning or lamp and starter replacement, follow these easy steps. The rounded cover on the face of the sunroof and sunbed are hinged at the top and bottom respectively (see figure 6). Remove the two phillips screws and trim washers on each end of the rounded cover and pull it toward you while pivoting upward on the sunroof, or toward you while pivoting down on the sunbed, and the cover will open (figure 6, 1). Press the acrylic back and toward the lamps, until the front edge is exposed (figure 6, 2). Insert a screwdriver or similar object into the "gap" between the acrylic and the aluminum frame (figure 6, 3) no more than one inch from either end, and slide along the edge while prying acrylic out. Carefully lift acrylic shield off of frame. To reinstall, simply insert the rear edge of the acrylic shield into the groove on the back of the frame, under the rear cover. The rear covers may be opened in the manner described above, if needed, to locate the proper groove. Press acrylic toward lamps and back until front acrylic edge clears the edge of the frame. Release pressure on acrylic shield, making certain that the acrylic edge is seated in groove in frame. Close the hinged cover and carefully insert the phillips screws and trim washers.

Lamp Replacement

Disconnect power cord from wall receptacle. Carefully remove the acrylic shield as described above. Next, remove the reflective end covers by carefully lifting them up from the center. The end covers are made from a very thin material by design, so that they are pliable for easy removal. Be careful not to bend the metal to the point that it "creases". The lamps are now exposed for replacement or cleaning. Before the removal of a lamp, please make the following observation of the lamp holders. The lampholders on the left side of the sunbed (as you stand in front of the sun system), have spring loaded telescopic sockets, and the lampholders on the right are stationary. Please note that on the sunroof, just the opposite is true. To remove a lamp, carefully hold the lamp with both hands, and press toward the spring loaded lampholder. When the spring loaded socket recedes and the tip on the opposite end of the lamp clears the stationary lampholder, pull up and remove.

Trouble Shooting

Sunsystem will not operate:

1. Is power cord connected to wall receptacle (figure 5, "E")?
2. Are the black and red wires of the remote control cable connected (figure 5 "F")?
3. Is timer in operational position?
4. Is circuit breaker "on"? Is there proper voltage to wall receptacle?
5. Are cables connected to receptacles "A", "B1" and "B2" on power bases (figure 5)?
6. Is umbilical cord connected to socket on opposite power base (figure 5, "C" and "D")?
7. If "yes" to all of the above, call **puretan, Intl., Inc.** technical support.

Lamp(s) not working: **Disconnect power cord from wall receptacle**, and remove the acrylic shield and reflective end covers as previously discussed.

1. Remove unlit lamp(s) and replace with a lamp which is lighting. Test by activating the system. If lamp lights, discard the defective lamp and replace with a new one. If not, go on to #2.
2. Remove starter for unlit lamp. Replace with a new starter, or a starter next to a lamp which is lighting. Test by activating system. If lamp lights, discard defective starter and replace with a new one. If lamp still will not light, go on to #3.
3. Check connections to lampholders and starter holders for loose wires by pulling on each connection where inserted. Also check for burned ends or physical damage. If no loose wires or damage is detected, go on to #4.
4. Disconnect cable "A" (see figure 5) if problem is in the sunbed or "B1" and "B2" if problem is in the sunroof from power bases and examine connector "pins" at end of cable. If damaged, consult **puretan, inc.** technical support. If "pins" appear to be undamaged, go on to #5.
5. Disconnect power cord "E", umbilical cord "C" and cables "A", "B1" and "B2" (see figure 5). Remove small screws and slide component drawers forward until they clear the housings, and reconnect the cords and cables to their previous positions. One at a time check corresponding ballast connections of non-lighting lamps by gently pulling on wire where it inserts into plastic connector (see corresponding number sequence,

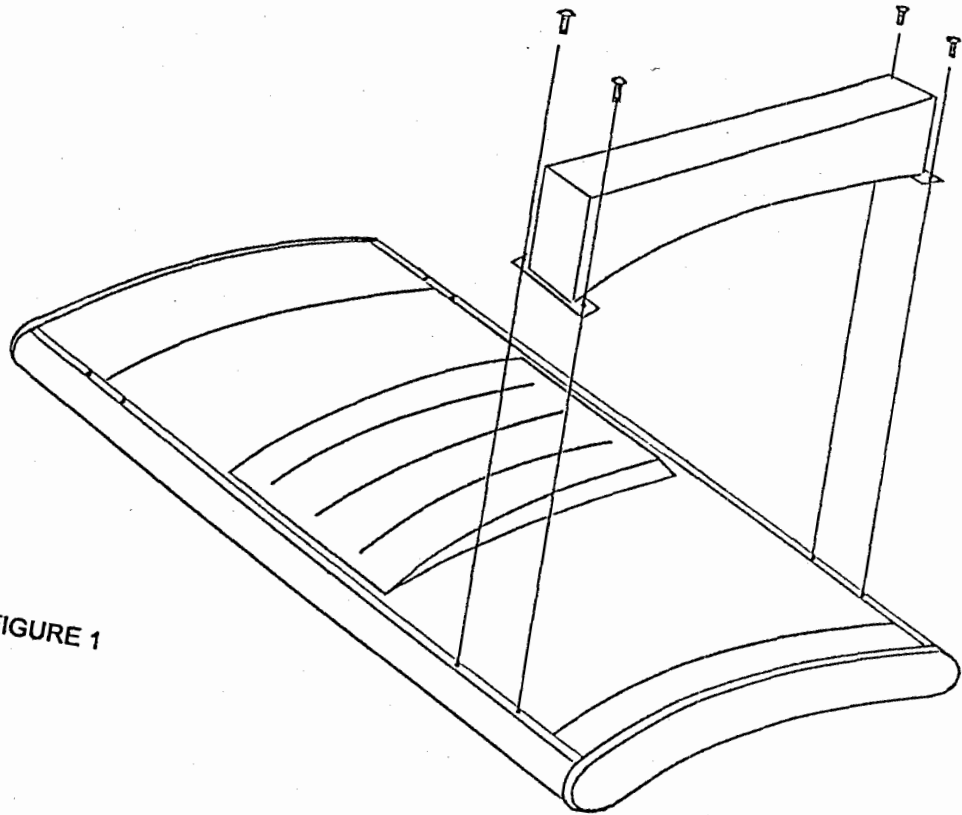


FIGURE 1

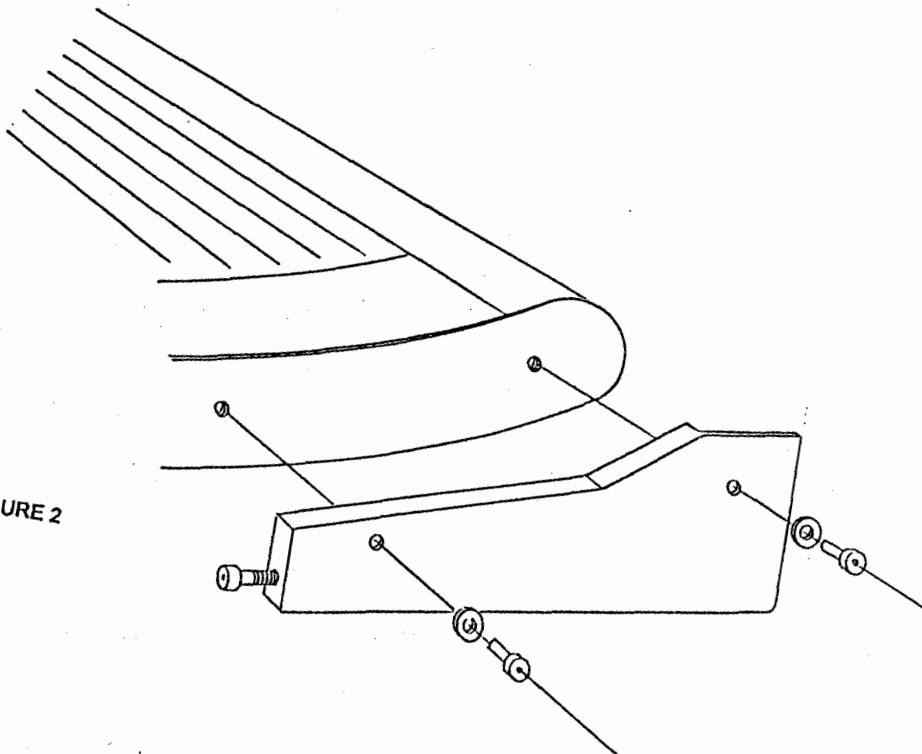
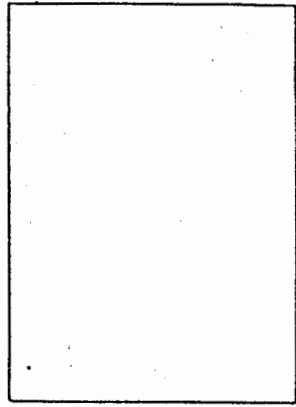
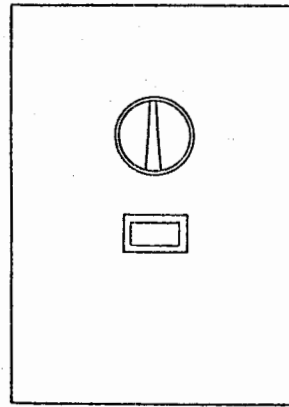


FIGURE 2



LEFT



FRONT

RIGHT

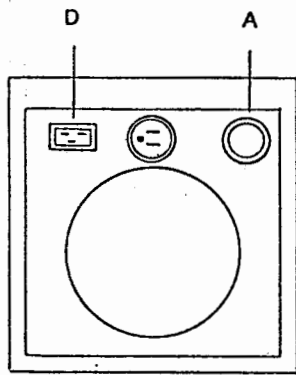
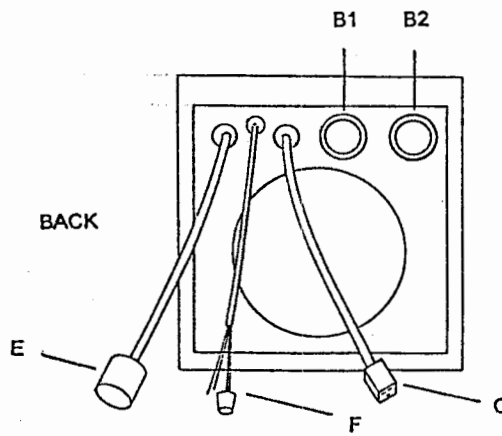


FIGURE 5



BACK

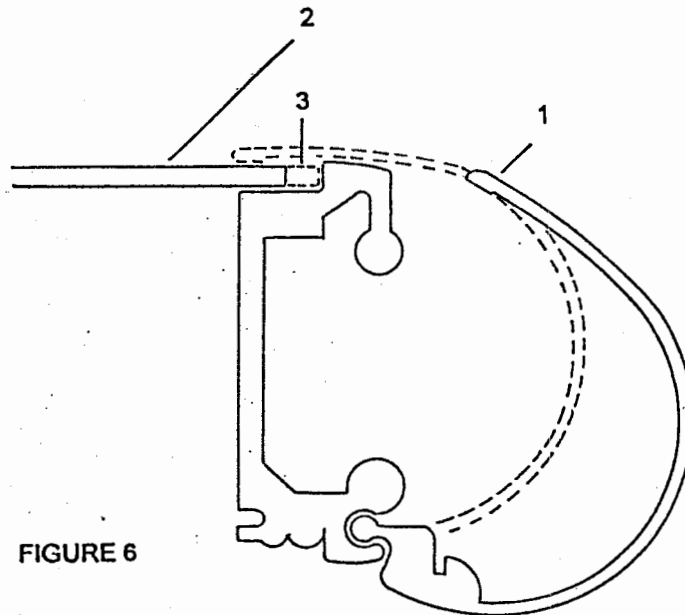


FIGURE 6