

Indoor Tanning Equipment

Care and Use Instructions

Montego Bay 24E

Bellarium - S

Montego Bay

1040 Wilt Ave.
Ridgefield, NJ 07657

1-800-FAST TAN

UNIT SPECIFICATIONS

MB-24E

LENGTH
79"

WIDTH
36.5"

HEIGHT (Closed)
31.75"

HEIGHT (Open)
56.75"

NUMBER OF LAMPS
24

VOLTAGE
240 VOLTS A.C.

AMPERAGE
19 AMPS

SHIPPING WEIGHT
480 POUNDS

DANGER – ULTRAVIOLET RADIATION Follow Instructions. Avoid overexposure. As with natural sunlight, overexposure can cause eye and skin injury and allergic reactions. Repeated exposure may cause premature aging of the skin and skin cancer. **WEAR PROTECTIVE EYEWEAR: FAILURE TO DO SO MAY RESULT IN SEVERE BURNS OR LONG-TERM INJURY TO THE EYES.**

Certain medication or cosmetics may increase your sensitivity to the ultraviolet radiation. Consult physician before using sunlamp if you are using medications or have a history of skin problems or believe yourself especially sensitive to sunlight. If you do not tan in the sun, you are unlikely to tan from the use of this product.

This unit utilizes UVA lamps. Replace with **BELLARIUM S SAI-10 100W** lamps, or FDA approved equivalent.

To obtain recommended exposure at a minimum distance of 1/2" (13 mm) measured with a standard ruler, lie on acrylic surface of lounge and lower canopy. Canopy will stop at 12 inches (305 mm) from lounge acrylic surface. The use of any other position may result in overexposure.

RECOMMENDED EXPOSURE SCHEDULE	SKIN TYPE	WEEK 1 1st-3rd Session	WEEK 2 4th-6th Session	WEEK 3 7th-10th Session	WEEK 4 11th-15th Session	WEEK 5 Subsequent Sessions
	II - FAIR	3 MIN.	6 MIN.	12 MIN.	15 MIN.	20 MIN.
III - AVERAGE	4 MIN.	8 MIN.	12 MIN.	15 MIN.	20 MIN.	
IV - BROWN	5 MIN.	10 MIN.	15 MIN.	20 MIN.	20 MIN.	
V - DARK BROWN	6 MIN.	12 MIN.	15 MIN.	20 MIN.	20 MIN.	

Tanning can begin on a regular basis (allowing 48 hours between sessions). An appearance of tanning normally occurs after a few exposures and maximizes after four (4) weeks of exposure following the recommended exposure schedule for your skin type.

USE PROTECTIVE EYEWEAR WHENEVER THE EQUIPMENT IS ENERGIZED. READ THE INSTRUCTION BOOKLET BEFORE USING THIS PRODUCT.

Instructions accompanying this product should always be followed to avoid or minimize potential injury.

This product is in conformity with performance standards for sunlamp products under 21 CFR PART 1040.20.

WARNING:

If you have been diagnosed by a physician as being allergic to the sun or are currently taking photosensitive medications, consult your physician before using the sunlamp.

Certain drugs – particularly those designed to enhance photosensitivity – may cause individuals under their influence to experience adverse effects, and those people should avoid exposure to UV sources of all kinds. Doctors will advise persons taking these drugs of possible adverse effects.

It is recommended that only one person at a time use the tanning system. Use protective eyewear while taking a tanning session. Protective eyewear is provided with each sunlamp sold.

Occasionally, persons using the tanning system will experience a slight reddening of the skin – usually in small patches – after the second or third session. This redness is often accompanied by an itching sensation. This is nothing more than a heat "rash" caused by heat from the lamps within the system. It is generally very limited and caused by constant contact of the skin with the acrylic surface. It will go away within approximately 24 hours and should not reappear. This rash can be lessened or prevented by turning over occasionally during sessions in the sunlamp, and by applying moisturizing lotion to the affected area after the tanning session is completed.

CAUTION

WHILE THERE IS NO IMMEDIATE CLINICAL EVIDENCE REGARDING UVA EXPOSURE AND ITS EFFECTS UPON EXPECTANT MOTHERS, IT IS STRONGLY ADVISED THAT EXPECTANT MOTHERS BE DISCOURAGED FROM USING THE SUNLAMP.

EXPOSURE TIMES AND FREQUENCIES

Melanin is the brownish pigment produced by special cells in the base layer of the skin determines the individuals ability to tan. As the skin is exposed to ultraviolet rays, the melanin is activated and combines with protein cells that rise to the skin's surface, thus producing a tan. The amount of melanin in your body determines how quickly and darkly you tan.

NOTE

THE TAN PRODUCED BY THE SUNLAMP IS A DEEP, RICH "COSMETIC" TAN. HOWEVER, REGARDLESS OF HOW MUCH AN INDIVIDUAL MAY TAN WITH THIS UNIT, IT WILL NOT PROVIDE ADEQUATE PROTECTION AGAINST OVEREXPOSURE TO NATURAL SUNLIGHT OR UVB TANNING SYSTEMS.

- | | |
|----------------|---|
| SKIN TYPE II- | THIS IS THE INDIVIDUAL THAT USUALLY BURNS EASILY AND SEVERELY, TANS MINIMALLY OR LIGHTLY AND PEELS. |
| SKIN TYPE III- | OFTEN REFERRED TO AS "AVERAGE" COMPLEXION, BURNS MODERATELY AND TANS ABOUT AVERAGE. |
| SKIN TYPE IV- | THIS INDIVIDUAL BURNS MINIMALLY, TANS EASILY AND ABOVE AVERAGE WITH EACH EXPOSURE. |
| SKIN TYPE V- | THIS INDIVIDUAL RARELY BURNS, TANS EASILY. |

CARE AND CLEANING OF YOUR SUNLAMP

CAUTION: THE SUNLAMP SHOULD BE DISCONNECTED FROM THE POWER SUPPLY BEFORE CLEANING OR DISINFECTING THE INSIDE OF THE ACRYLIC. AVOID WATER OR SOLUTION ENTERING THE LAMP COMPARTMENT.

After each session is completed, spray the acrylic surface with a specially formulated UVT (ultraviolet transmitting) acrylic cleaner. Wipe the surface of the acrylic with a clean cloth. The acrylic should never be wiped with a dry cloth because this will generate a slight static charge which will attract dust.

For maximum efficiency of your sunlamp, periodic cleaning of lamps, reflectors, acrylics, fans, and the inside of the unit is required.

CAUTION: FAILURE TO CLEAN BEDS, FANS, AND THE INSIDE OF YOUR SUNLAMP COULD VOID THE WARRANTY.

CAUTION: DO NOT USE EXCESSIVE AMOUNTS OF WATER, ANY ABRASIVE CLEANERS, OR ANY SPRAY CLEANER THAT IS NOT SPECIFICALLY DESIGNED FOR USE WITH ACRYLIC SURFACES. DO NOT USE ALCOHOL.

Note: Periodic polishing of the exterior painted surface may be necessary to maintain the finish. An automotive polish, **not wax**, should be used. Do not clean with anything that may damage the paint.

To obtain repairs and recommended replacement components which are compatible with this unit, including UVT acrylic cleaner, protective eyewear, lamps, acrylic, timers, reflectors, and other parts, which will, if installed and used as instructed, result in continued compliance with 21 CFR 1040.20, please contact the Manufacturer:

MONTEGO BAY

1040 Witt Ave.

Ridgefield, NJ 07657

1-800-FAST TAN

RELAMPING INSTRUCTIONS

CAUTION: REPLACE ONLY WITH BELLARIUM S SA1-10-100W LAMPS, OR FDA APPROVED EQUIVALENT.

1. Disconnect unit from power source.
2. Remove acrylic from unit by removing the acrylic retaining strip located along one long edge of the acrylic and sliding the acrylic out of the unit.
3. Push lamp toward the spring loaded lampholder to disengage the lamp from the stationary lampholder. Remove lamp.
4. Replace by inserting end of lamp in spring loaded lampholder at the end of the unit and push until the lamp will insert and properly seat in stationary lampholder at the other end of the unit.
5. Clean and replace acrylic shield. (Refer: **CARE AND CLEANING**). Reconnect unit to power.
6. See **CARE AND CLEANING** section for information on ordering lamps.

RECOMMENDED EXPOSURE SCHEDULE

	WEEK 1	WEEK 2	WEEK 3	WEEK 4	WEEK 5
SKIN TYPE	1st-3rd Session	4th-6th Session	7th-10th Session	11th-15th Session	Subsequent Sessions
II - FAIR	3 MIN.	6 MIN.	12 MIN.	15 MIN.	20 MIN.
III - AVERAGE	4 MIN.	8 MIN.	12 MIN.	15 MIN.	20 MIN.
IV - BROWN	5 MIN.	10 MIN.	15 MIN.	20 MIN.	20 MIN.
V - DARK BROWN	6 MIN.	12 MIN.	15 MIN.	20 MIN.	20 MIN.

No two individual skin tones are the same. A tan to one person may be different to another, and session length may vary. It is recommended that, following a tanning session, a skin moisturizer be applied. This promotes a smoother more even looking tan. Equally important -- many facial make-ups have oil bases and should be removed prior to each tanning session.

NOTE

SINCE THE BACK AND STOMACH AREAS OF THE BODY WILL RECEIVE THE MAJORITY OF THE TANNING RAYS, IT IS RECOMMENDED THAT INDIVIDUALS SPEND ONE HALF OF EACH SESSION LYING ON EACH SIDE OF THE BODY TO ACHIEVE A FULL-BODIED TAN.

SINCE YOUR SUNLAMP WILL CAST OFF SOME HEAT, IT IS RECOMMENDED THAT A SMALL FAN BE USED TO IMPROVE AIR CIRCULATION DURING SESSIONS. LIKEWISE, ADEQUATE VENTILATION OF THE ROOM OR BOOTH HOUSING THE SUNLAMP IS REQUIRED FOR COMFORTABLE OPERATION.

WARNING

COMMERCIALY AVAILABLE CREAMS, LOTIONS AND OILS CONTAIN SUNSCREENS WHICH FORM A PHYSICAL BARRIER ON THE SKIN THAT PREVENTS THE UVA RAYS FROM PENETRATING AND INDUCING A TAN. IT IS RECOMMENDED THAT YOU USE ONLY CREAMS, OILS OR LOTIONS THAT DO NOT CONTAIN POLYETHYLENE/GLYCOL LAURATE OR POLYETHYLENE/GLYCOL MONO LAURATE AND ARE DESIGNED FOR USE WITH INDOOR TANNING EQUIPMENT. FAILURE TO COMPLY WITH RECOMMENDATIONS AND WARNINGS STATED ABOVE MAY VOID THE MANUFACTURER'S WARRANTY.

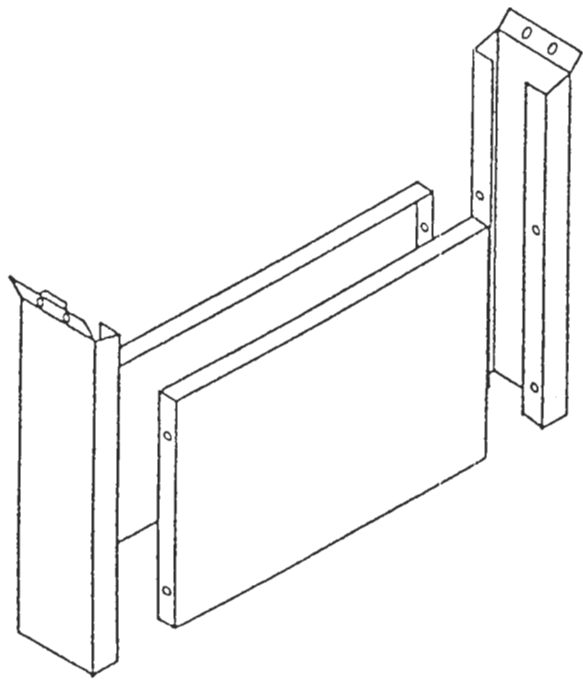
OPERATING YOUR SUNLAMP

The MB-24E has a remote timer. The timer is used to preselect the actual tanning time and switch on the sunlamp. The timer will automatically switch the sunlamp off when the preselected time expires.

To operate timer, rotate knob clockwise to the desired tanning time, timer can be set to a maximum of twenty (20) minutes. Refer to the exposure times and frequencies for correct timer setting.

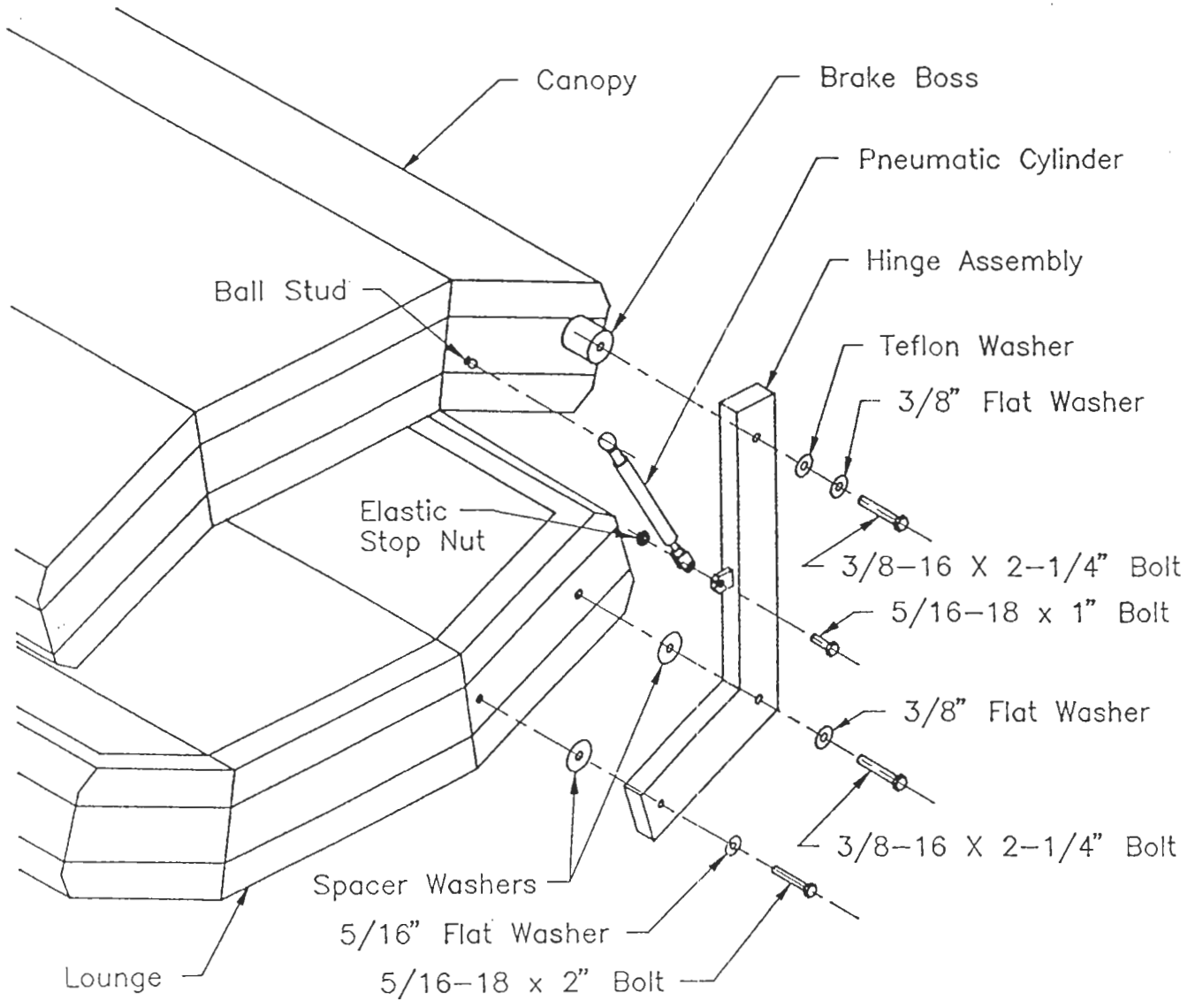
After the timer is set (and the "on-off" switch is "on"), the unit is ready for immediate operation. Lie on acrylic surface of lounge and lower canopy. The canopy will stop with its acrylic surface 12 inches (305 mm) from the acrylic surface of the lounge. There is no additional time required for lamp start-up.

LEG ASSEMBLY



Assembly Instructions

1. Open cartons, remove packing, remove and inspect unit and all associated parts and hardware per the hardware drawings in the back of this manual.
2. Leg Installation
 - a. Place a leg side piece face down on a flat surface and attach an end piece (1 long and 1 short) to each end using (4) 1/4-20 x 3/4" machine screws and 1/4-20 keps nuts.
 - b. Flip assembly over and attach other leg side piece using (4) more 1/4-20 x 3/4" machine screws and 1/4-20 keps nuts.
 - c. Repeat steps a and b for second leg.
 - d. Turn lounge half of unit upside down and position legs over mounting holes in bottom panel (be sure that longer end pieces are to rear of bed).
 - e. Attach legs using (4) 5/16-18 x 1" bolts and flat washers each. Tighten all bolts thoroughly.
 - f. Turn lounge right side up and rest on legs.
3. Hinge Installation (MB-24E)
 - a. Attach hinge assemblies (with brake shoes installed) to each end of lounge using (1) 5/16-18 x 2" bolt, (1) 3/8-16 x 2-1/4" bolt, (2) 5/16 flat washers, (1) 3/8 flat washer and (2) spacer washers. Be sure that the side of hinge assembly with large (1-7/8 dia.) hole at top, is on the inside – toward the bed. **Do not** tighten bolts completely at this time.
 - b. Attach pneumatic cylinder clevis to tab on each hinge assembly using 5/16-18 x 1" bolts and elastic stop nuts. Remove wire locking clips from ball sockets at top of pneumatic cylinders.
 - c. Lift canopy half of unit (with brake bosses attached) and slide bosses into shoes in hinge assemblies (top ends of hinge assemblies must be forced outward in order to accomplish this). Insert (1) 3/8-16x2-1/4" bolt, Teflon washer, and 3/8 flat washer in each end to hold position. With an assistant holding front edge of canopy at full open position, snap ball sockets on the pneumatic cylinders onto ball studs on canopy. **Replace wire locking clips.**
 - d. Tighten all bolts thoroughly, then adjust brakes (using 5/32 allen wrench in hardware kit) to provide desired ease of operation.
4. Electrical Hook-up
 - a. Connect jumper cord from canopy to lounge by aligning male plug on jumper with female receptacle on rear of lounge and tightening locking nut.
 - b. Connect cord from remote timer to unit by aligning male plug on timer cord with female receptacle on rear of lounge and tightening locking nut.
 - c. The sunlamp must be connected only to a 240 volt, 30 amp single phase power supply and must be permanently wired, in accordance with local codes, from the wall to the unit using 10 gauge, 4-wire single phase wiring. A 30-amp circuit breaker is required. No power cords or plugs are supplied with this unit. This wiring should be performed by a qualified electrician. (See page 15 for wiring power supply to unit).



Hinge Installation

GENERAL TROUBLE SHOOTING GUIDE

The following trouble shooting information is divided into two sections. Section A contains items which the owner may check without the aid of a service person. Section B contains items which must be performed by qualified service personnel only. If you have any questions other than the ones listed in your troubleshooting guide, contact your distributor.

(NOTE: All units are not the same, therefore some of the causes may not apply to your unit.)

GENERAL TROUBLESHOOTING (SECTION A)

CAUSE	SOLUTION:
1. Sunlamp does not operate.	
a. No power to the unit.	Check circuit breaker servicing unit.
b. Timer not connected to canopy.	Connect cord from timer to timer receptacle on canopy.
c. Timer not turned on.	Rotate time knob clockwise to activate unit.
d. Canopy not connected to lounge.	Connect jumper cord from canopy to lounge.
2. Lamps will not light.	
a. Lamp(s) not properly seated.	Remove lamp(s), inspect contacts on lamp(s), and lampholder(s), reinstall securely into lampholder(s).
b. Faulty lamp(s).	Replace lamp(s).
3. Canopy does not hold its position when set.	
a. Loose brakes.	Tighten adjustment knob.
b. Faulty cylinders.	Replace cylinders.
4. Unit is running hot.	
a. Tanning room too small or improperly ventilated.	Provide sufficient space and ventilation for system.
b. Vent fans dirty.	Clean fan guards to insure air flow is not blocked.
5. Sunlamp is not tanning.	
a. Acrylic is dirty.	Clean both sides of acrylic with U.V.T. (Ultraviolet Transmitting) Acrylic Cleaner.
b. Lamps and Reflectors are dirty.	Remove lamps, wipe with damp cloth, dry. Wipe reflectors using a soft cloth U.V.T. Cleaner.
c. Lamps are nearing the end of their effective life.	Replace lamps with new lamps.

GENERAL TROUBLESHOOTING GUIDE (SECTION B)

All services in the following sections are to be completed by a qualified service technician. This section is to aid in isolating and correcting any problems which may occur and is not intended for use by owner. Refer to the assembly instructions included with each bed for reference in disassembling and wiring the sunlamp. Disconnect all power to the bed before servicing. Use only factory authorized components for replacement parts.

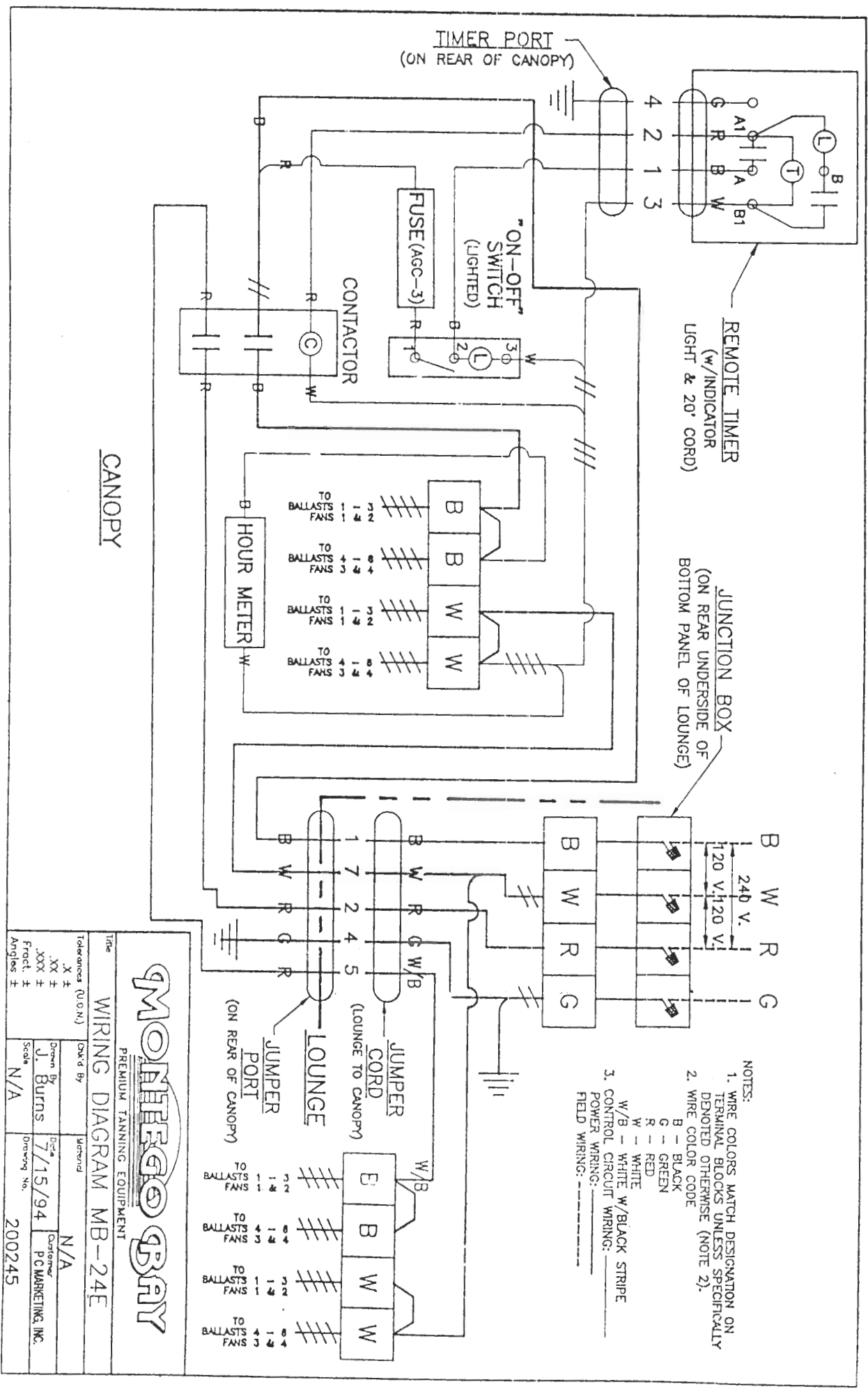
CAUSE

SOLUTION:

1. Sunlamp does not operate.
 - a. Incorrect connections of incoming power. Check electrical connections against wiring diagram and correct as necessary.
 - b. Faulty timer. Replace.
 - c. Faulty contactor in bed. Replace.
 - d. Poor wiring connections. Check wiring circuit against appropriate wiring diagram and correct as required.
 - e. Faulty "on-off" switch. Replace.
 - f. Power between lounge and canopy not wired correctly. Check jumper cord connections against diagram and correct as required.
2. Lamp(s) will not light.
 - a. Poor wire connection at lampholder(s). Check for loose wire and repair.
 - b. Faulty or damaged lampholder lamp(s). Replace.
 - c. Incorrect incoming power. Check incoming voltage and correct if required.
 - d. Ballast(s) not functioning properly. Locate loose wire (to or from) ballast(s) and correct as required. Replace ballast(s) if necessary.
3. Sunlamp running hot.
 - a. Incorrect incoming power. Check incoming voltage and correct as required.
 - b. Vent fan(s) not functioning properly. Check wiring to fans and correct as required. Check vent fan(s) as necessary.
4. Sunlamp is not tanning.
 - a. Incorrect incoming power. Check incoming voltage and correct as required. Also see **CARE AND CLEANING** section.
5. Sunlamp will not shut off.
 - a. Faulty contactor. Replace. (Note: return defective contactor to your distributor).
 - b. Faulty timer. Replace. (Note: return defective timer to your distributor).

REPLACEMENT PARTS LIST

PARTS DESCRIPTION	MONTEGO BAY PART#	MB-24E (QUANTITY)
Acrylic Retainer Strip	B-04709-1	2
Acrylic Sheet – Canopy	B-04320-1-T	1
Acrylic Sheet – Lounge	B-04320-2-T	1
Allen Wrench _ Hinges	A-03145-1	1
Ballast (1000 MA)	B-03069-1	12
Bottom Panel	B-04325-2	1
Brake Boss	A-04696-1	2
Brake Shoe	A-03018-1	2
Bulb (Bellarium S)	A-03094-1	24
Bulb Holder – Fixed	A-03221-1	24
Bulb Holder – Movable	A-03221-2	24
Contactora	A-03344-1	1
Cushion	B-04125-1	1
Fuse (AGC-3)	A-03065-1	1
Fuse Holder	A-03064-1	1
Hardware Kit – Hinges	A-03958-1	1
Hardware Kit – Legs	A-03284-1	1
Hinge Brkt Ass'y – Left	B-03957-3-P	1
Hinge Brkt Ass'y – Right	B-03957-2-P	1
Hinge Package	B-03959-1	1
Hour Meter	A-03067-1	1
Indicator Light	A-03104-1	1
Jumper Cord Ass'y	200168	1
Leg Package (2 Legs)	B-03334-1	1
On-Off Switch	A-03068-1	1
Pneumatic Cylinder	B-03091-7	2
Protective Eyewear	A-03134-1	1
Remote Timer	200031	1
Spacer Washer – Hinges	A-03024-1	4
Strain Relief	A-03066-3	3
Terminal Block – 4 Pole	A-04363-1	3
Timer (20 Min.)	A-03052-1	1
Timer Knob	A-03098-1	1
Top Panel	B-04325-1-P	1
Vent Fan	B-03051-1	8
Vent Fan Lead	B-03051-3	8



MONTEGO BRY
 PREMIUM TANNING EQUIPMENT

WIRING DIAGRAM MB-24E

Title	MB-24E	Customer	PO MARKETING, INC.
Drawn By	J. Burns	Scale	N/A
Checked By		Drawing No.	200245
Tolerances (U.O.N.)	X ±		
	XX ±		
	XXX ±		
Angles	±		