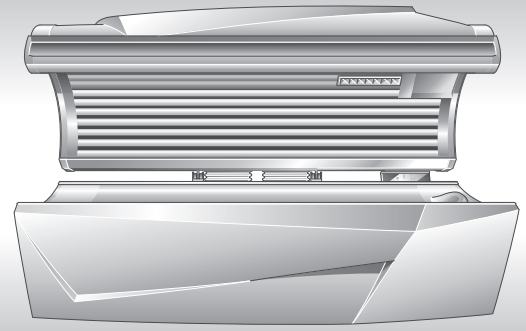
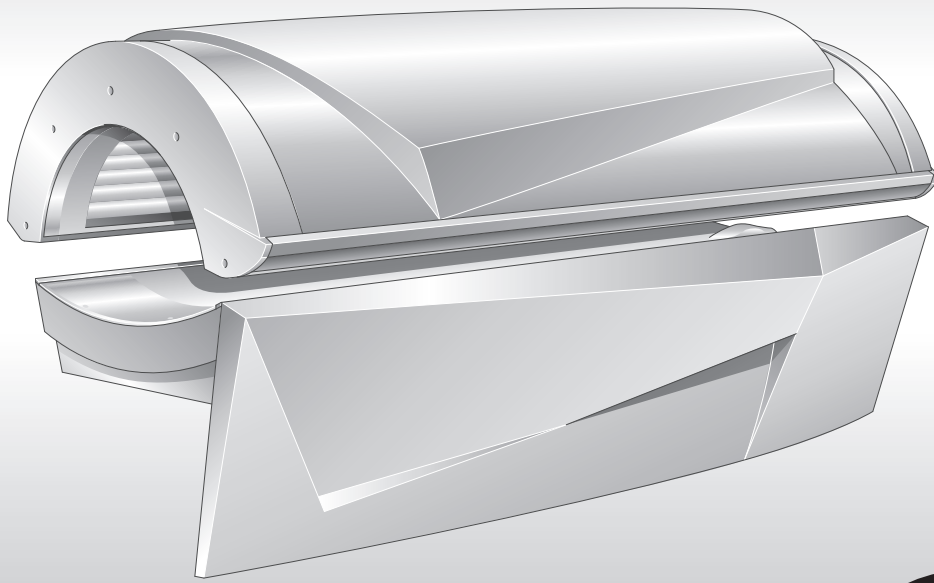


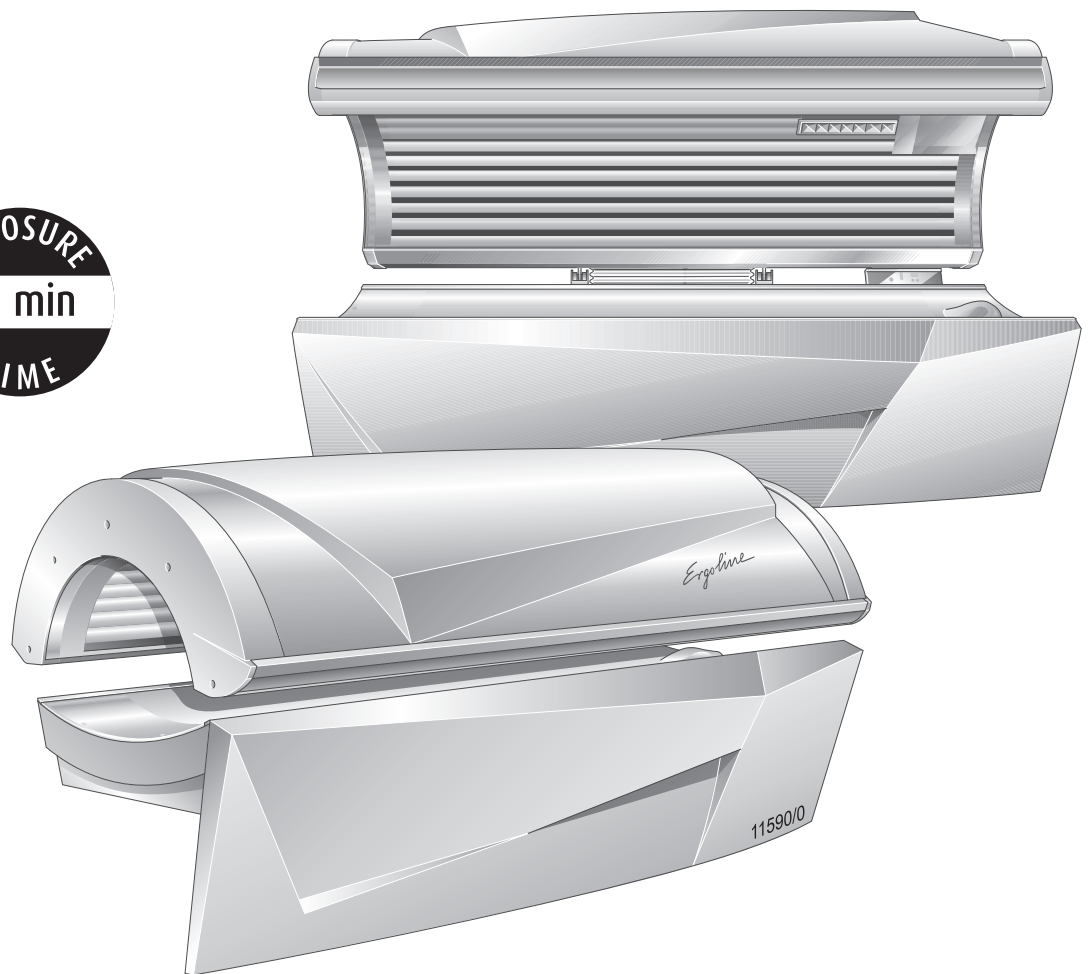
FLAIR 32 / ' SUPER POWER



- OPERATING INSTRUCTIONS
- INSTRUCTIONS DE SERVICE

Ergoline

EXPOSURE
15 min
TIME



Operating instructions (Part II)

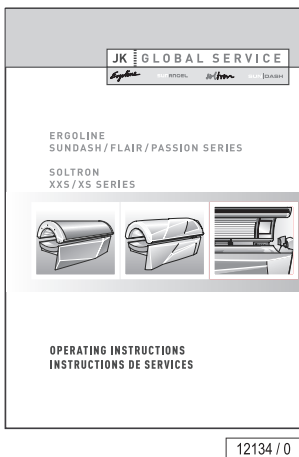
FLAIR 32/3 SUPER POWER

1008457-00 / us / 10.2009

Ergoline

Contact information

Technical Service: JK Global Service
A Div of JK Products & Services, Inc.
#1 Walter Kratz Drive
Jonesboro, AR 72401
☎ 800-445-0624
📠 870-935-9046
e-mail: support@jkamerica.com
<http://support.jkamerica.com>



1006322

See also Operating Instructions Part I (1006322):

Contents

- 1 General
- 2 Information for the studio operator
- 3 Operation
- 4 Cleaning and maintenance
- 5 JK-Products, Inc. – Limited Warranty
- 6 Appendix



WARNING!

WARNING!

Read these operating instructions.

Failure to observe these instructions:

- may result in serious injury and death,
- can result in damage to the device and to the environment.
- For the safety of yourself and others, read and observe all instructions contained herein before operating the tanning system.
- Please make the instructions and additional information available to anyone who operates or services the tanning system.

Copyright

The copyright remains with JK-Holding GmbH.

The contents may not be duplicated (in whole or part), distributed or utilized for competition purposes without authorization or disclosed to other parties.

The right to make technical changes in regard to the figures and information contained in this instruction manual is reserved!

Table of contents

1	Important information on tanning	4
1.1	Skin types.....	4
1.2	Tanning times.....	4
2	General	5
2.1	Definitions.....	5
2.2	Identify your tanning device.....	5
3	Safety notices	6
3.1	Description of warning signs.....	6
3.2	Instructions pertaining to a risk of fire, electric shock, or injury.....	7
3.3	Instructions pertaining to a risk of damage to the machine.....	9
4	Description	10
4.1	Device description.....	10
4.2	Accessories (optional).....	11
4.3	Function description.....	11
5	Operation	12
5.1	Operation overview.....	12
5.1.1	Navigation.....	12
5.2	Functions.....	13
5.3	Start.....	14
5.3.1	Preparation time.....	14
5.3.2	Interrupt or end tanning session.....	14
5.4	MP3 player connection.....	15
6	Cleaning and maintenance	16
6.1	Cleaning plan.....	16
6.2	Maintenance plan.....	18
7	Technical data	19
7.1	Power rating, electrical specifications and noise level.....	19
7.2	Dimensions.....	20
7.3	Lamp configuration.....	21
7.3.1	FLAIR 32/3 SUPER POWER.....	21
7.3.2	Accent lighting.....	22
7.4	Spare parts and accessories.....	22
8	Appendix	23
8.1	Signs and stickers on the device.....	23
9	Index	25

1 Important information on tanning

1.1 Skin types

Skin type I (Sensitive):

Invariably gets sunburn, accepts little natural sunlight and does not tan.

Skin type II (Fair):

Gets sunburn easily and severely, tans minimally or lightly and peels.

Skin type III (Average):

Often referred to as "Average" complexion, gets moderate sunburns and tans about average.

Skin type IV (Brown):

Seldom gets sunburns, tans easily and above average with each exposure.

Skin type V (Dark Brown):

This individual's system rarely gets sunburns, tans easily and substantially.

1.2 Tanning times

This product is in conformity with performance standards for sunlamp products under 21 CFR 1040."

<p align="center">DANGER ULTRAVIOLET RADIATION</p> <p>Follow instructions. Avoid over-exposure as with natural sunlight. Over-exposure can cause eye and skin injury and allergic reactions. Repeated exposure may cause premature aging of the skin and skin cancer.</p> <p align="center">Maximum Tanning Time is 15 Minutes</p>	Recommended Exposure Schedule					
	Skin Type	Week 1 1st - 3rd Sessions	Week 2 4th - 6th Sessions	Week 3 7th - 10th Sessions	Week 4 11th - 15th Sessions	Weekly Subsequent Sessions
	I - Sensitive	NOT ADVISED	NOT ADVISED	NOT ADVISED	NOT ADVISED	NOT ADVISED
	II - Fair	3 Min.	7 Min.	10 Min.	12 Min.	15 Min.
	III - Average	3 Min.	7 Min.	10 Min.	12 Min.	15 Min.
	IV - Brown	3 Min.	8 Min.	12 Min.	15 Min.	15 Min.
	V - Dark Brown	3 Min.	8 Min.	12 Min.	15 Min.	15 Min.

<p>WEAR PROTECTIVE EYEWEAR! Failure to do so may result in severe burns or long term injury to the eyes.</p> <p>Certain medications or cosmetics may increase your sensitivity to the ultraviolet radiation. Consult a physician before using sunlamps if you are using medication, have a history of skin problems or believe yourself to be especially sensitive to sunlight. If you do not tan in the sun, you are unlikely to tan from the use of this product.</p>	<p>This unit utilizes UVA lamps. Replace only with lamps of the product. GENESIS HPR15 FR71-T12-CA-120W (Canopy), GENESIS HPR15 FR78-T12-CA-120W (Canopy), GENESIS HPR15 FR71-T12-BA-120W (Base), Ergoline ULTRA C-12645 (high pressure/ facial-tanner) or recognized equivalents. To obtain the recommended exposure schedule position of a minimum distance of 1/2" (13mm) measured with a standard ruler, lie on acrylic surface of lounge and lower canopy. Canopy will stop at the correct distance from lounge acrylic surface.</p> <p>Warning: The use of any other position may result in overexposure!</p>
--	--

<p>Tanning can begin on a regular basis. An appearance of tanning normally appears after a few exposures and maximizes after four (4) weeks of exposure following the recommended exposure schedule for skin type. In order to provide for maintenance of a tan a maximum of two (2) weekly 15 minute sessions is recommended from the fifth week onward.</p> <p>DO NOT TAN TWICE IN ONE DAY, ONLY TAN ONCE IN A 24 HOUR PERIOD.</p>	<p>Use protective eyewear, super sunnies, whenever unit is energized. Read and follow instruction booklet before using this product. To avoid electrical shock during maintenance disconnect power from unit. This product is in conformity with performance standards for sunlamp products under 21 CFR 1040, FDA.</p> <p align="right">Part No: 1007949-00-</p>
---	---

12210 / 0

2**General**

2.1 Definitions

(Studio) operator

People who provide tanning devices to users on a commercial basis. The operator is responsible for the orderly operation of the device as well as the compliance with the maintenance intervals.

User

A person who uses the tanning device at a commercial location.

Staff

People who are responsible for the operation, cleaning as well as general maintenance work and who instruct the users in the operation of the devices.

Electrician

A person with suitable professional training, knowledge and experience which enables them to identify and avoid the dangers which can arise from working with electricity.

Authorized and trained qualified staff

Qualified staff from an external company who have been trained and authorized by the manufacturer for assembly and maintenance work with specific tanning devices.

2.2 Identify your tanning device

For contact with Customer Services, please write down the serial number of your tanning device, see page 23.

3 Safety notices

3.1 Description of warning signs

Danger notices, damage to persons:



DANGER!

DANGER!

Type and source of danger, e.g. "DANGER – High voltage!"

Description of the consequences, e.g. "You can be killed or injured by an electric shock!"

Countermeasures:

- Disconnect device from power supply before opening.
 - Do not reach into the inside with the device switched on.
-

Warning notices, damage to persons:



WARNING!

WARNING !

Type and source of danger, e.g. "Warning – hot surface!"

Description of the consequences, e.g. "You can burn your hand (skin, face)!"

Countermeasures:

- Do not touch hot parts and nearby surfaces.
 - Wait until hot parts and surfaces have cooled down.
-

Caution notices, damage to property:



CAUTION!

The word "Caution" with this label points out that danger for devices, materials and the environment can be expected here.

Important information:



NOTE:

This symbol does not identify safety notices, but states information for a better understanding of the processes.

3.2 Instructions pertaining to a risk of fire, electric shock, or injury



DANGER!

DANGER – HIGH VOLTAGE!

You can be killed or injured by an electric shock!

Assembly and electrical connection must comply with national and local regulations.

- The device may only be assembled, installed, upgraded or repaired by specially trained and instructed personnel.



WARNING!

WARNING – ULTRAVIOLET RADIATION!

Unprotected tanning may result in eye injury and eye diseases.

The unprotected eye can become inflamed on the surface, and in certain cases the retina can be damaged by excessive radiation. Cataracts can form after repeated exposure to radiation.

- **Inform users to use the included protective goggles that block UV.**



WARNING!

WARNING – ULTRAVIOLET RADIATION!

Follow instructions.

Failure to use protective eyewear may result in severe burns or other eye injury. If discomfort develops, discontinue use and consult a physician.

- A person who does not tan in the sun most likely will not tan from the use of this device. Persons with very sensitive skins (skin type I) must not use the unit, as with this skin type tanning is impossible without damaging the skin (e.g. sunburn).
- Individuals with acute sunburn, individuals who have had or have skin cancer, or individuals who are at increased risk of skin cancer, must not use the system.
- UV devices must not be used without taking medical advice if unexpected effects occur within 48 hours of the first session.
- The sunbed must never be used if a filter panel is missing or damaged, or the timer is defective!
- UV light from the sun or UV systems can cause injuries to the skin or eyes. This biological effect is dependent on the sensitivity of the individual's skin and on the type and amount of UV light.
- As with natural sunlight, overexposure can cause eye and skin injury, sunburn, and allergic reactions.
- Repeated exposure may cause premature aging of the skin and skin cancer.

- Medications or cosmetics applied to the skin, may increase sensitivity to ultraviolet light.

A person having a history of skin problems should consult a physician before use.



WARNING!

WARNING – ULTRAVIOLET RADIATION!

Danger of long-term consequences.

- Overexposure should be avoided.
- Small children through age 7 (or of the age where allowed by law) years may not use this device.
- The following applies to minors under the age of 18 years: Only use tanning devices in agreement with a parent or guardian, or after consulting a physician. Check with your state regarding tanning laws for minors!
- While there is no immediate clinical evidence of UVA exposure and its effects upon expectant mothers, it is strongly advised that expectant mothers be discouraged from using the tanning unit.



WARNING!

WARNING – RISK OF INFECTION!

Infections can be transferred through skin contact.

All items/equipment components, with which the user can come into contact during tanning, must be disinfected after every tanning session:

- Protective goggles
- Acrylic sunbed
- Handles and control panel
- MP3 cable

For fast, hygienic proper cleaning, use a specially developed fast disinfectant cleaner.



NOTE:

Occasionally, persons using the tanning device will experience a slight reddening of the skin – usually in small patches – after the second or third session. This redness is often accompanied by an itching sensation. This may be nothing more than a heat “rash” caused by heat from the lamps within the device. It is generally very limited and caused by constant contact of the skin with the acrylic surface. It should go away within approximately 24 hours and not reappear. This rash can be lessened or prevented by applying moisturizing lotion to the affected area after tanning.

- Follow instructions.
- The time between the first two tanning sessions must be at least 24 hours.
- Increasing tanning also requires an extension of the exposure time (= radiation time). After a certain degree of tanning has been achieved,

a further intensification is not possible. The radiation time may not be extended to exceed the permissible radiation doses! Therefore, only a certain degree of final tanning (dependent on the skin type) can be achieved without endangering your health.

- Inform users about proper tanning.

3.3 Instructions pertaining to a risk of damage to the machine



CAUTION – DANGER OF OVERHEATING!

Danger of overheating by obstruction of the air routing.

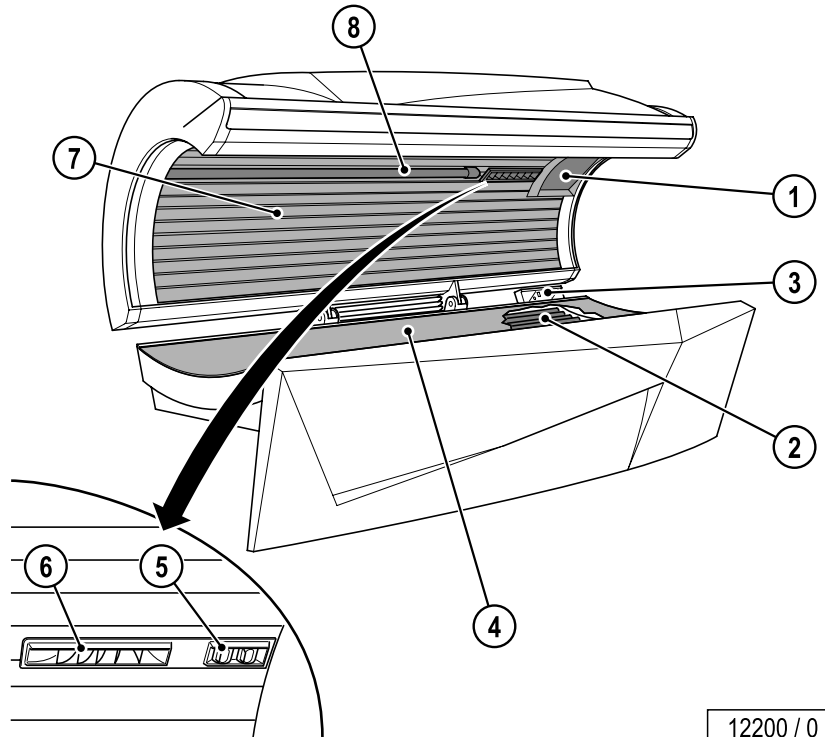
- Do not change, obstruct or block the air inflow and outflow area to the device or make any unauthorized changes to the device. The manufacturer shall bear no liability for damage or injuries resulting from such actions.
 - Before putting a tanning device into operation, the transport pallet must be removed from under the device. Danger of overheating by obstruction of the air routing.
-

4

Description

4.1 Device description

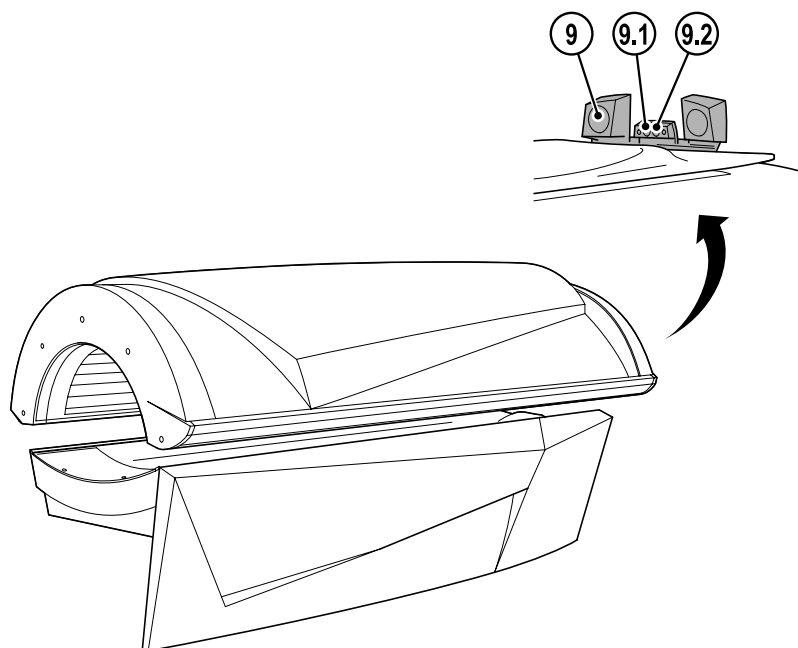
FLAIR 32/3 SUPER POWER



12200 / 0

- 1. Facial tanner (1 UV high-pressure lamps)
- 2. UV low-pressure lamps, base
- 3. Operating panel
- 4. Acrylic cover, base
- 5. Adjustable air nozzles face cooling
- 6. Body cooling air nozzles
- 7. UV low-pressure lamps, canopy
- 8. Interior lighting

4.2 Accessories (optional)



12126 / 0

- 9. Audio system (Stereo Sound System PLUS or Stereo Sound System)
- 9.1 Headphone connection (only with Stereo Sound System PLUS)
- 9.2 MP3 connection (only with Stereo Sound System PLUS)

4.3 Function description

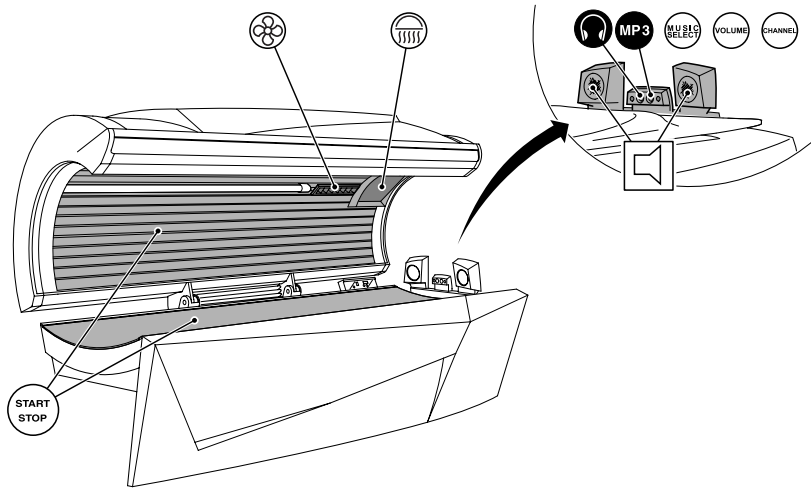
The primary technical components of a tanning device are an artificial source of UV radiation, a variety of filters and reflectors as well as a mechanical structure with a defined active surface.

Different tanning results can be achieved in different tanning devices. This is due to the different strength UV lamps and the different UV-A and UV-B proportions of the UV radiation. UV-A primarily generates a superficial tan, which appears rapidly and is intensive but also fades rapidly; UV-B radiation is primarily responsible for more long-term tanning results. The disadvantage of the UV-B radiation is that the tan does not become visible until one or two days after visiting the tanning salon. As a result the appropriate tanning device is to be selected depending on the desired tanning goal.

The tanning devices described here emits both UV-A and UV-B radiation (but primarily UV-A).

5 Operation

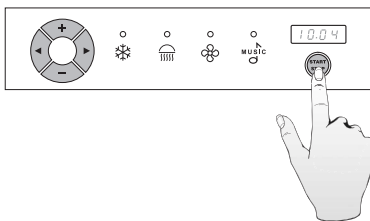
5.1 Operation overview



12201 / 0

5.1.1 Navigation

The device is operated with the navigation ring.



11851 / 0



Switch on UV lamps:

- Press the button once.

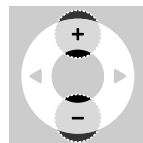
Switch off UV lamps/pause tanning:

- Hold the button down.



Select device function (go to pictogram)



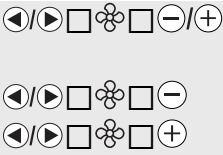

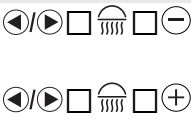
MUSIC e.g. MUSIC



Adjust the intensity/setting of the function selected.

The available functions and the navigation ring are illuminated in default mode after starting up the tanning device. After selecting a function, the respective LED and the navigation ring will flash for a few seconds. Settings may be changed during this time.

5.2 Functions

Function	Button sequende	Description	Information
1. UV lamps		START/STOP switch the UV lamps on / off during tanning	If the UV lamps are switched off during tanning, the tanning time continues to run.
3. Music		Internal: Control volume, Levels 0-14 External: MP3 player	Only available as optional accessories for Stereo-Sound and Stereo-Sound PLUS. See page 15
4. Body cooling/ Facial cooling		Control cooling, Levels 1-5 Switch off cooling <input type="checkbox"/> OFF Switch on cooling <input type="checkbox"/> ON	 The air jets for the facial cooling can be adjusted by hand.
5. Facial tanner		Switch off facial tanner <input type="checkbox"/> OFF Switch on facial tanner <input type="checkbox"/> ON	1 minute until maximum power is reached.

5.3 Start

The device is started automatically with an internal or external timer.



NOTE:

Timer instructions see separate manual (order no. 0070923801-..)

5.3.1 Preparation time



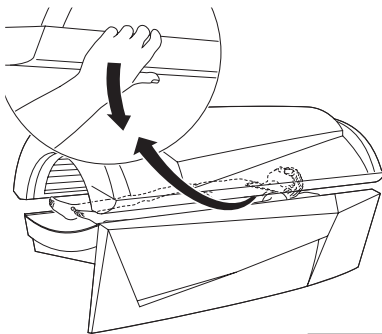
WARNING!

WARNING!

Wrong positioning may result in overexposure!

To obtain the recommended exposure schedule position of a minimum distance of 1/2" (13 mm) measured with a standard ruler:

- Lie on acrylic surface of lounge and lower canopy. Canopy will stop at the correct distance from lounge acrylic surface.



11847 / 0

Before the UV lamps turn on, you have a few minutes to prepare yourself. During the preparation time you can switch on the UV lamps at any time by pressing the START/STOP button.

- Remove your clothes and all jewelry.
- Remove make-up and other cosmetics.
- Remove glasses. Contact lenses can be worn under the protective goggles.
- Put on the protective goggles.
- Lie down on the bed surface.
- Close the canopy.
- Press the START/STOP button.

Settings on start-up:

- UV lamps
- Facial tanner
- Cooling
- Stereo Sound System PLUS (optional)

5.3.2 Interrupt or end tanning session

The tanning session ends automatically after the preset time has run down. The internal fan continues to run for approx. three (3) minutes to sufficiently cool the device.

- To interrupt a tanning session, press button START/STOP anytime during a session.
- Press START/STOP again to restart the lamps.

5.4 MP3 player connection



WARNING!

WARNING!

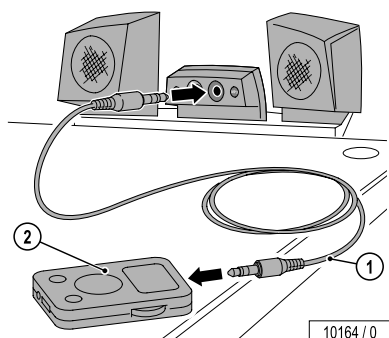
Danger of hearing damage!

Using earphones or headphones at high volume can result in permanent hearing damage.

Improper maintenance can cause the device to be damaged or to become unusable.

- Do not set the volume too high.

Studio customers can connect their own MP3 player to the device when the "Stereo Sound System PLUS" accessory is available



10164 / 0

- 1 Jack plug (JK Part # 4630911001-..) provided for use by the studio operator (2 x 3.5 mm stereo jack plug).
- 2 MP3 player connection: see the documentation from the manufacturer of the MP3 player.

Loud music might disturb other studio users!

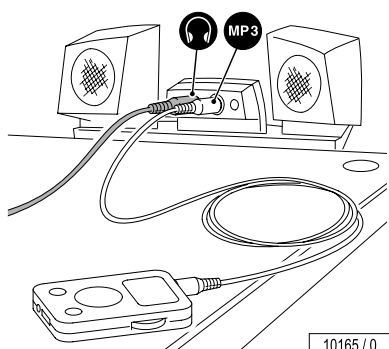
- Use headphones whenever necessary.

Connect:

- Plug the MP3 cable (stereo jack plug) into the Stereo-Sound system PLUS.
- Plug the MP3 cable into the MP3 player.
- Select the music title and start in accordance with your MP3 player's instructions.

If the speakers do not play any music:

- Increase the volume on the MP3 player until the music signal is automatically switched to the Stereo-Sound system PLUS.
- Set the volume on the tanning device to the desired level.



10165 / 0

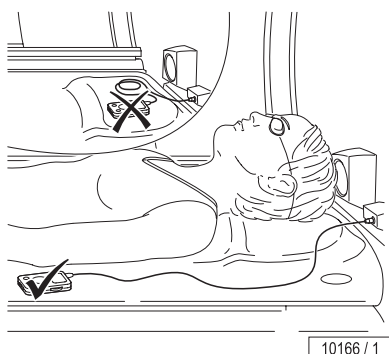
CAUTION!

The heat might damage your MP3 player.

Do not position the unit so that it receives direct tanning radiation.

Cable may be torn off, connectors may be damaged.

- Do not pull on cable when unplugging MP3 player.

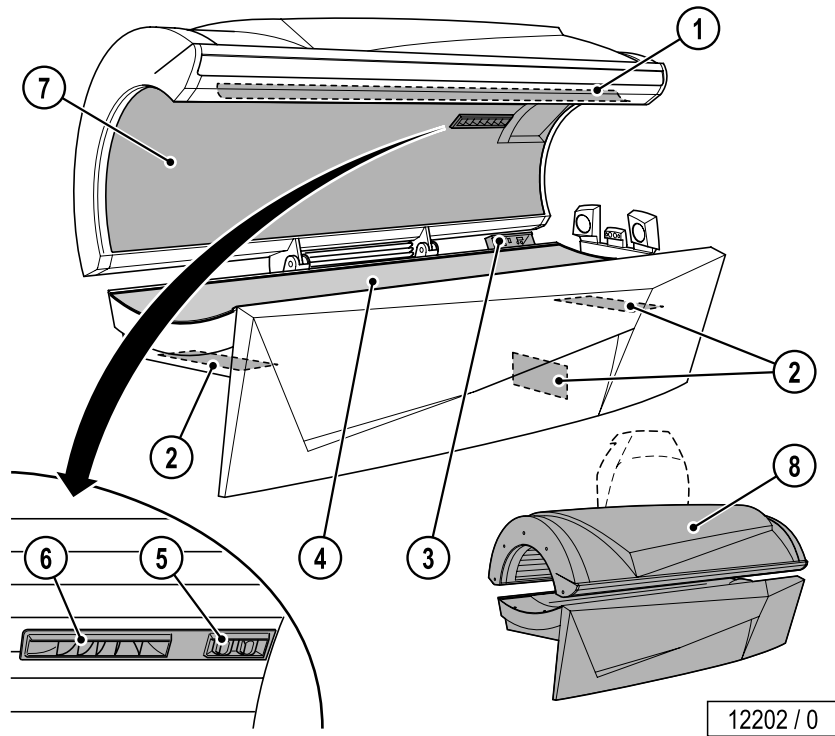


10166 / 1

6 Cleaning and maintenance

For a description on how to carry out cleaning and maintenance work, see Operating Instructions Part I (1006322).

6.1 Cleaning plan



Component	Interval			Activity	See Chap. ¹⁾
	After each tanning	As necessary	50 h		
1 Handle	X			Clean and disinfect	4.3
3 Control panel	X			Clean and disinfect	4.3
4 Acrylic panel	X			Clean and disinfect	4.3
5 Adjustable air nozzles	X			Clean and disinfect	4.3
Protective goggles	X			Clean and disinfect	4.3
MP3 cable	X			Clean and disinfect	4.3

Component	Interval	Activity	See Chap. ¹⁾
	After each tanning		
	As necessary		
	50 h		
6 Air nozzles	X	Clean	4.3
7-8 Surfaces	X	Clean	4.3
2 Filter		Clean	4.3

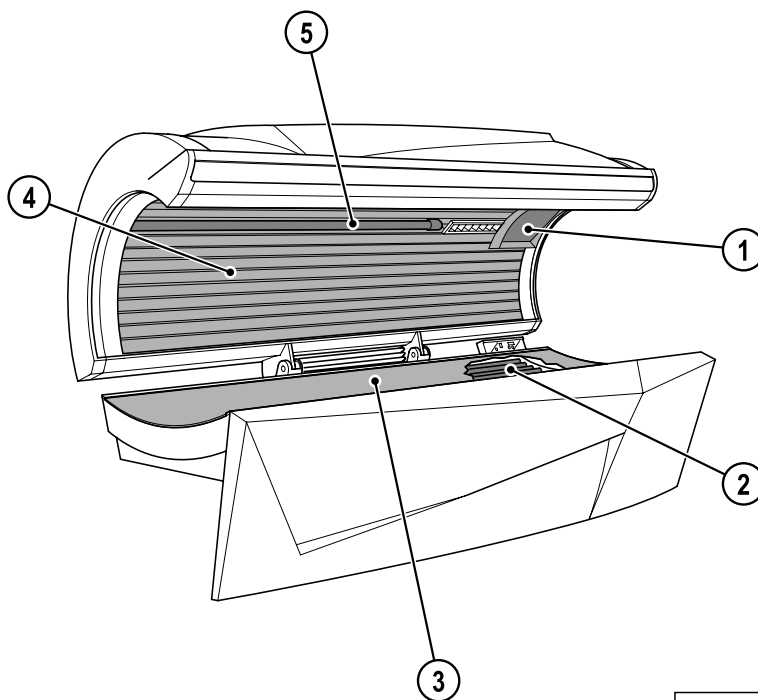
1) See Operating Instructions Part I (1006322)



NOTE:

Cleaning must be confirmed after each tanning session by pressing the START/STOP button (when the cool-down time for the main fan has finished).

6.2 Maintenance plan



12203 / 0

Component	Interval				Activity	See Chap. ¹⁾
	500 h	1000 h	1500 h	3000 h		
1 UV high-pressure lamps	X				Replace	4.10
2 UV low-pressure lamps base	X				Replace	4.9
4 UV low-pressure lamps canopy	X				Replace	4.10
2 Starter		X			Replace	4.9
4 Starter		X			Replace	4.10
5 Starter		X			Replace	4.11
3 Acrylic base			X		Replace	4.5.1
1 Filter panels (UV high-pressure lamps)				X	Replace	4.10

1) See Operating Instructions Part I (1006322)

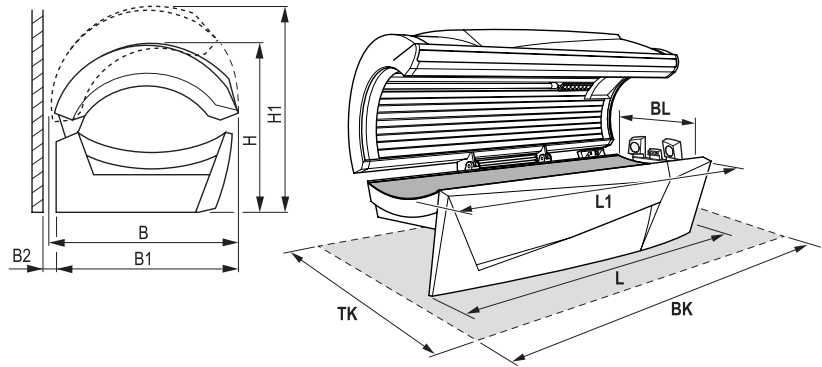
7 Technical data

7.1 Power rating, electrical specifications and noise level

Conformity mark (see name plate on page 23).

FLAIR 32/1 SUPER POWER	
Rated power	
without air condition:	5500 W
with air condition	–
Rated frequency:	60 Hz
Rated voltage:	230 V
Fuse rating:	20 amp 3-pole or 40 amp 2-pole
Connecting lead:	
Noise level at 1 m from the sunbed:	66,0 dB(A)
Noise level in sunbed:	< 81 dB(A)
Load on the acrylic base:	max. 300 lb/150 kg
Weight:	728 lb/330 kg

7.2 Dimensions



12204 / 0

B =	43 5/16 in	1100 mm
B1 =	27 15/16 in	710 mm
H =	43 5/16 in	1100 mm
H1 =	57 14/16 in	1470 mm
L =	84 10/16 in (without Sound System)	2150 mm (without Sound System)
L =	88 9/16 in (with Sound System)	2250 mm (with Sound System)
L1 =	84 10/16 in	2150 mm
BK =	94 1/2 in	2400 mm
TK =	90 9/16	2300 mm

7.3 Lamp configuration

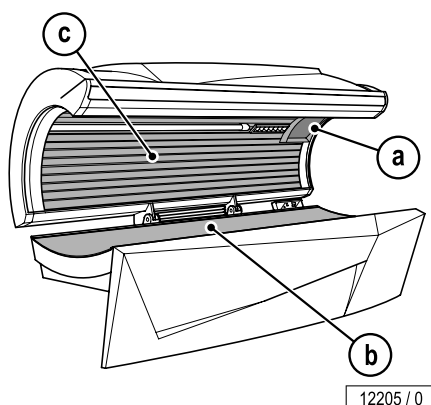
CAUTION!



The use of other UV lamps and filter panels voids the operating license!

The UV high-pressure lamps fitted are broadband radiators that can be operated at different outputs.

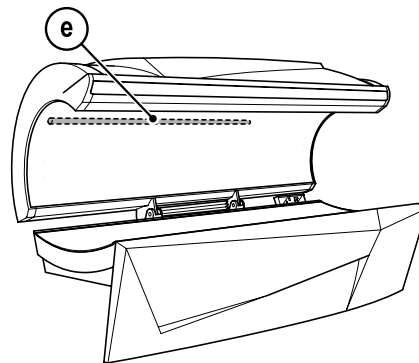
7.3.1 FLAIR 32/3 SUPER POWER



Installed lamps

	Num.	Lamp name, starter, filter panels	Length	Power level	Activation	Order no.
a)	3	UV high-pressure lamps Ergoline ULTRA C-12645		400 W	400 W / 0 W	12645-..
	3	Filter panel Ultra Performance				1504566-..
b)	14	UV low-pressure lamps GENESIS HPR15 FR71-T12-BA-120W	71 in	120 W	120 W	1504559-..
	14	Starter 160 W				1004929-..
c)	18	UV low-pressure lamps GENESIS HPR15 FR78-T12-CA-120W	78 in	120 W	120 W	1504562-..
	18	Starter 160 W				1004929-..

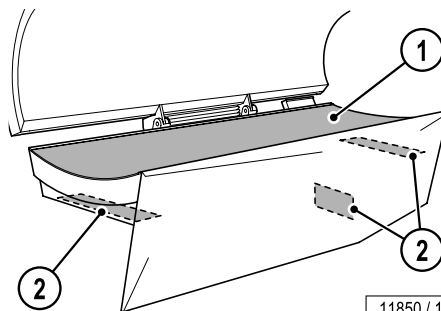
7.3.2 Accent lighting



12213 / 0

	Num.	Lamp name, starter	Power	Order no.
e)	1	Low-pressure lamp white	36 W	12969-..
	1	Starter S10		10047-..

7.4 Spare parts and accessories



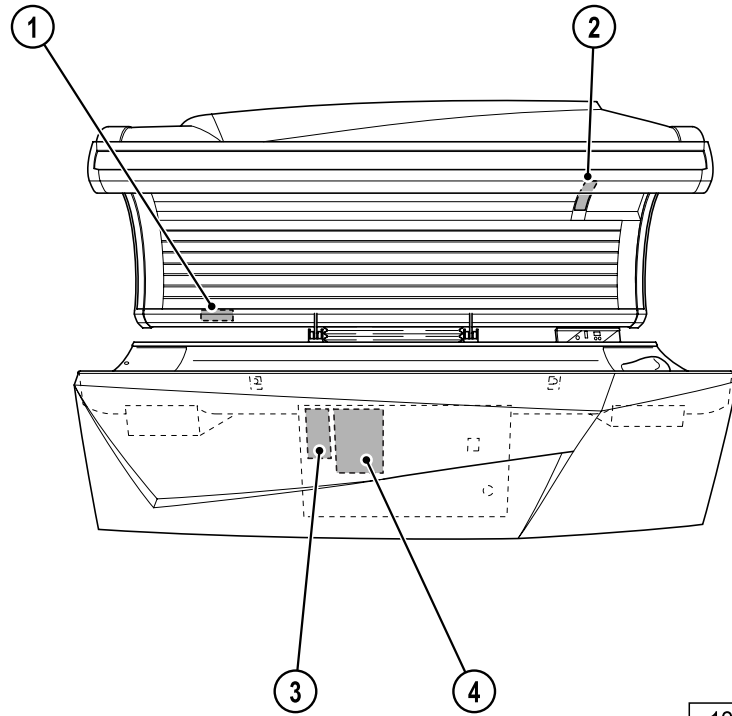
11850 / 1

	Num.	Name	Order no.
①	1	Acrylic base	1503569-..
②	3	Filter	55567-..

8 Appendix


8.1 Signs and stickers on the device

Signs which warn of danger areas are attached to the device. The signs shown below are examples. Ensure that the instruction signs are always clearly recognizable and easily legible.



12206 / 0

1 Nameplate

JK Products and Services, Inc. #1 Walter Kratz Dr. Jonesboro, AR 72401 1:800: SUNDASH		MODEL NO.
 ETL LISTED US PORTABLE SUN/HEAT LAMPS	SERIAL NO.	
	INTERTEK TESTING SERVICES NA INC. CORTLAND, NEW YORK, 13045	
DATE MANUFACTURED	A/C VOLTS	A/C LAMPS
	0 0	
THIS PRODUCT IS IN CONFORMITY WITH PERFORMANCE STANDARDS FOR SUNLAMP PRODUCTS UNDER 21 CFR PART 1040: CAUTION READ OWNERS MANUAL BEFORE INSTALLING. FOLLOW ALL MANUFACTURER INSTRUCTIONS COMPLETELY AND CAREFULLY. OBSERVE AND FOLLOW ALL CAUTION WARNINGS. INSTALLATION SHOULD ONLY BE COMPLETED BY A QUALIFIED ELECTRICIAN.		

12075 / 0

The nameplate contains important information for identifying the device (e.g. the serial number = Serial-No.).

2 Warning sticker

WARNING-ULTRA VIOLET RADIATION - FOLLOW INSTRUCTIONS - FAILURE TO USE PROTECTIVE EYEWEAR MAY RESULT IN SEVERE BURNS OR OTHER EYE INJURY -IF DISCOMFORT DEVELOPS, DISCONTINUE USE AND CONSULTA PHYSICIAN.

(I) As with natural sunlight, overexposure can cause eye injury and sunburn;

(II) Repeated exposure may cause premature aging of the skin and skin cancer;

(III) Medications or cosmetics applied to the skin, may increase sensitivity to ultraviolet light;

(IV) A person who does not tan in the sun most likely will not tan from the use of this device;

(V) A person having a history of skin problems should consult a physician before use;

(VI) Overexposure should be avoided; and

(VII) Children, the elderly, or fair skinned people who always burn easily and either never tan or tan minimally should not use this equipment.

(VIII) The appliance is not allowed to be used by more than one person at the same time.

ATTENTION - RAYONNEMENTS ULTRAVIOLETS - VEUILLEZ SUIVRE LES INSTRUCTIONS SUIVANTES - SANS DISPOSITIF DE PROTECTION DES YEUX, CE PRODUIT PEUT CAUSER DES BRULURES OU LESIONS OCULAIRES GRAVES - EN CAS DE PROBLEME ARRETER L'UTILISATION ET CONSULTER UN MEDECIN.

(I) Comme avec les rayons solaires naturels, une exposition trop longue peut causer coup de soleil ou brûlure;

(II) Une exposition répétée peut causer un vieillissement prématuré de la peau ou un cancer de la peau;

(III) L'utilisation de certains médicaments ou produits appliqués sur la peau peut accroître la sensibilité aux ultra-violet;


(IV) Les personnes ne bronçant pas au soleil ne le feront probablement pas sur cet appareil;

(V) Toute personne ayant des problèmes de peau doit consulter un médecin avant toute utilisation;

(VI) Eviter toute surexposition;

(VII) Il est conseillé aux enfants, aux personnes âgées ou aux personnes à peau claire ne bronçant pas ou étant très sensibles au soleil de ne pas utiliser cet appareil;

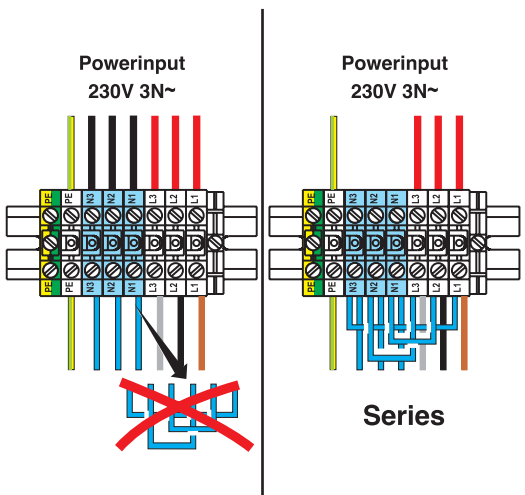
(VIII) L'appareil ne doit être utilisé que par une seule personne à la fois.



801140-01

12076 / 0

3 USA mains connection sticker (1504659-..)



Powerinput 230V 3N~

Powerinput 230V 3N~

Series

⚠ DANGER
HAZARDOUS VOLTAGE.
Contact will cause electric shock!
Disconnect and lock out power before servicing.

⚠ DANGER
TENSION DANGEREUSE.
Tout contact entrainera une décharge électrique! Débrancher et sécuriser l'alimentation électrique avant de procéder à l'entretien.

⚠ PELIGRO
VOLTAJE PELIGROSO.
¡El contacto producirá una descarga eléctrica! Desconectar y bloquear la corriente antes de trabajar.

1504660-00

11995 / 0

The sticker is visible when the front panel is removed and the control unit cover opened.

4 USA power supply units sticker

The sticker is visible when the front panel is removed and the control unit cover opened.

9 Index

A

Accessories.....	11
Acrylic cover, load.....	19
Air filter	
Cleaning intervals.....	16
Air filter panels	
maintenance intervals	18

C

Cleaning.....	16
Cleaning intervals	16
Cleaning plan	16

D

Definitions	5
Description	10
Device description.....	10
Dimensions	20

E

Electric shock.....	7
Electrical specifications	19

F

Function description.....	11
Functions	13

I

Injury	7
Installed lamps	21

M

Maintenance plan.....	18
Measurements	20
MP3 player connection	15

N

Nameplate.....	23
Navigation ring	12

O

Overheating of the device	9
---------------------------------	---

P

Power rating 19
Powerinput 24

S

Safety notices 6, 7
Settings on start-up 14
Signs and stickers 23
Skin types 4
Start of tanning 14
Starter 21

T

Tanning times 4
Technical data 19
Technical service 2

U

UV lamps 21

W

Warning sticker 24

**SUN ERGOLINE,
A DIVISION OF JK-PRODUCTS & SERVICES, INC.**

1 Walter Kratz Drive
Jonesboro, AR 72401
Phone: 800.643.0086 (Toll-free)
Fax: 870.935.3618
Website: www.sunergoline.com
E-Mail: ergoline@sunergoline.com

Ergoline