

# HEX CLASSIC TANNING SYSTEM

## *Operations/Owners Manual*

*Model:*    W600    W601    L800    L801

*Lamp Type:*   (40) HEX B52 TRU TAN F73 VHO

*Serial number:*   \_\_\_\_\_

## INDEX

I. USER INSTRUCTIONS .....	1-2
II. HISTORY & BENEFITS:	
<i>History of Tanning</i> .....	3
<i>How Tanning Occurs</i> .....	4
<i>How our Unit Tans</i> .....	5
<i>Why the HEX Tanning System</i> .....	6-7
<i>Tanning Advantages</i> .....	8
<i>Often Asked Questions</i> .....	9
III. OPERATING PROCEDURES:	
<i>How to Operate a Successful Business</i> .....	10
<i>Recommended Education</i> .....	11
<i>Insurance</i> .....	12
<i>Suggested Tanning Packages</i> .....	13
<i>Tanning Products</i> .....	14
<i>Skin Types</i> .....	15-16
<i>Sample History &amp; Consent Form</i> .....	17
<i>Sample Appointment Schedule</i> .....	18
IV. PHOTOSENSITIZING DRUG LIST .....	19-21
V. ASSEMBLY INSTRUCTIONS	
<i>Assembly Instructions - Tanning Unit</i> .....	22-28
<i>Electrical Requirements</i> .....	29
<i>Tanning Unit Diagram</i> .....	30
<i>Assembly Instructions - Change Room</i> .....	31-36
<i>Operating Instructions</i> .....	37
<i>Trouble Shooting Guide</i> .....	38-39

# WARNING

READ INSTRUCTIONS BEFORE USING UNIT

**DANGER!** - Ultraviolet radiation. Follow instructions. Avoid overexposure. As with natural sunlight, overexposure can cause eye and skin injury and allergic reactions. Repeated exposure may cause premature aging of the skin and skin cancer. **WEAR PROTECTIVE EYEWEAR; FAILURE TO MAY RESULT IN SEVERE BURNS OR LONG-TERM INJURY TO THE EYES.** Medications or cosmetics may increase your sensitivity to the ultraviolet radiation. Consult physician before using sunlamp if you are using medications or have a history of skin problems or believe yourself especially sensitive to sunlight. If you do not tan in the sun, you are unlikely to tan from the use of this product.

**WARNING!** - When replacing lamps, be sure that unit is not on (turn toggle switch on control panel to the OFF position). Remove lamp guards, replace lamps and replace lamp guards before turning unit on.)

1. The lamps in this unit are HEX B 52 Tru Tan, F73 VHO
2. People using this unit should stand on the red dot located in the middle of the floor. Use of any other position may result in overexposure.
3. Only one person should use the unit at a time.
4. The user must wear the ultraviolet goggles provided with the unit while in the unit. (Cat. #SS)
5. EXPOSURE SCHEDULE: In order to avoid acute injury or delayed adverse effects, the user should follow the recommended exposure schedule to build and maintain a tan:

## EXPOSURE SCHEDULE

<u>SKIN TYPE</u>	<u>WEEK 1 1ST-3RD TREATMENT</u>	<u>WEEK 2 4TH-6TH TREATMENT</u>	<u>WEEK 3 7TH-10TH TREATMENT</u>	<u>WEEK 4 11TH-15TH TREATMENT</u>	<u>WEEKLY SUBSEQUENT TREATMENT</u>
II - FAIR	3 MIN	6 MIN	10 MIN	12-15 MIN	12-15 MIN
III - AVERAGE	6 MIN	8 MIN	10-12 MIN	12-15 MIN	12-15 MIN
IV - BROWN	8 MIN	10 MIN	10-12 MIN	12-15 MIN	12-15 MIN
V - DARK BROWN	8 MIN	10 MIN	10-12 MIN	12-15 MIN	12-15 MIN

Tanning sessions should be limited to once every 48 hours. An appearance of tanning normally appears after a few exposures and maximizes after four (4) weeks of exposure following the recommended schedule. The recommended exposure schedule is based on persons with Type II skin (always burns then tans slightly). If you do not tan in the sun, you are unlikely to tan from use of this product. Therefore, any recommendation should be not to use this product.

## INTERNATIONAL TANNING EQUIPMENT

(Division of J & B Products, Ltd.)

2201 South Michigan Avenue, Saginaw, MI 48602

Telephone: (989) 792-6119

(800) 556-3201 (U.S. and Canada)

CLASSIC-HEXII 73 B 52

## *USER INSTRUCTIONS (Continued)*

- 6. The skin may not show any coloring for as long as six to eight hours after being exposed. It will take 4 weeks to achieve maximum coloring.*
- 7. You should avoid tanning in the nude because private areas are not accustomed to ultraviolet light. This could cause severe burns.*
- 8. You should NEVER have a person use this unit more than once a day.*
- 9. It is recommended that any person with medium to long hair secure the hair with an elastic band or hair net.*
- 10. Your unit comes with a one year factory warranty, excluding lamps.*

*This product is in conformity with performance standards for sunlamp products under 21 CFT Part 1040.*

# HISTORY OF TANNING

*The equipment used in indoor tanning today actually was created in its original form to treat some skin disorders such as Psoriasis. It was a known fact that in some cases, sunlight helped in the treatment of certain skin disorders. Artificial lamps were created to imitate certain elements of the suns therapeutic properties. When it was found that these lamps also caused some skin coloration, the development of indoor tanning began.*

*The first medical units emitted too much Ultraviolet B Rays (UVB), to be used in tanning. In 1972, Dr. Friedreich Wolff of West Germany altered the wavelength of the light spectrum and was able to isolate the Ultraviolet A Rays (UVA). Commercial tanning started in the U.S.A. in the late 1970's, and has grown to become a multi-billion dollar industry.*

*Almost everyone has been looking for an easy, effective way to tan, because we all want to look and feel our best. And, our busy lifestyle doesn't afford us the time just to lie around for hours to tan. Through advanced technology and modern design concepts, the Tanning System you are offering makes tanning easy, fun, fast, and effective for virtually everyone.*

# HOW TANNING OCCURS

*The sun emits three types of non-visible ultraviolet rays, (UVA), (UVB) and (UVC).*

*The lengths of these rays determine how harmful they are to the skin and eyes.*

*Ultraviolet C Rays (UVC) are extremely harmful to you because they are short in wave length. UVC rays are below 260 nanometers in length. (A nanometer is one-billionth of a meter.) Fortunately, the ozone layer of the earth's atmosphere acts as a filter and absorbs virtually all of these rays. THERE ARE NO UVC RAYS IN THE HEX TANNING SYSTEM.*

*Ultraviolet B Rays (UVB) are 260/320 nanometers. In layman's terms, A NOON SUN. Sunburn is usually the result of excessive exposure to these middle wave length rays. However, a controlled minimum exposure to (UVB) rays is necessary to the tanning process. Melanin, a pigment existing in the deep layers of the skin is released into the skin cells by the UVB rays. It is because of Melanin that tanning takes place.*

*Ultraviolet A Rays (UVA) are 320/400 nanometers. In layman's terms, a before 11 a.m. and after 2 p.m. sun. Tanning takes place when these rays oxidize the Melanin pigment, which has been activated by the UVB rays.*

*The HEX Tanning System has eliminated the UVC rays and controlled the amounts of UVA and UVB rays, providing a worry-free tanning environment.*

## HOW OUR UNIT TANS

*The hexagonal shape of the unit has been proven to be the most effective design for producing an overall tan. The unit is lined with a special reflective material called Coilzak. This material scatters the light and reflects it off all six sides. This reflection/diffusion action creates a continuous even flow of tanning rays throughout the unit. You get a better tan because you are exposed to both direct and reflected light at the same time.*

*Our Tanning System design uses forty, 160 watt - 1500 milliamp lamps, for fast, effective tanning. The Smart Lamp is the best lamp the industry has to offer. The upper 15" section is pink and has a facial tanner built in. Its middle section glows with a natural bluish 5.0% UVB...perfect for the middle portion of the body. The lower 24" is pink in color and bathes the lower legs with a generous 7.5% UVB.*

*When you combine the design technology with the UVA - balanced lamp system we use, you can be assured you will get an even tan.*

## **WHY THE HEX TANNING SYSTEM IS RIGHT FOR YOU**

1. **HYGIENIC.** *With bed-type units people must lie on an acrylic sheet; the same sheet others have laid on, perspired on, and that has been (hopefully) cleaned after each use with a strong disinfectant. With all the communicable diseases today, people do not want to lie in anybody's anything. Our upright unit eliminates the risk of this potentially dangerous problem, because only the users feet come in contact with a common surface.*
2. **VIRTUALLY MAINTENANCE FREE.** *Bed-type units must be cleaned thoroughly after each session. Our Unit only needs to be wiped down at the end of the day.*
3. **FAST.** *Only 10 to 12 minute sessions are required. Bed-type units require 25 to 30 minute sessions. People prefer a fast tan, it fits into their busy life styles better.*
4. **COMFORTABLE.** *Our Unit is air-cooled by a unique fan system. Air is drawn through the bottom louvers and discharged at the top, creating the "perfect" tanning climate. It is just like being on a tropical island.*
5. **RELAXING.** *Our Unit has built-in speakers to provide music while you tan.*
6. **ATTACHED CHANGE ROOM.** *This provides privacy for the user and eliminates expensive remodeling for you. All you need is 28 square feet of floor space.*
7. **EASY TO USE.** *The tanning cycle is set at the desk by an experienced operator. The user merely pushes the start button inside the tanning unit when they are ready to tan.*



8. *U.L. LISTED.* Our unit is the only stand up tanning system in the country that is U.L. listed - a mandatory requirement in most states.
9. *CUSTOM MADE.* Each unit is hand crafted in the tradition of fine furniture.
10. *LONGEVITY.* Our unit was introduced to the market in 1979 and the first units placed in salons at that time still look and run like new.

# TANNING ADVANTAGES

- \* *Virtually recession proof*
- \* *Very low advertising costs*
- \* *Increases foot traffic*
- \* *Increases profitability without adding additional labor*
- \* *100% owner income*
- \* *Low operating costs*
- \* *Creates activity*
- \* *NO major build-out requirements*
- \* *Adds a second profit center without major renovations*
- \* *Uses only quality U.L. components and parts*

## OFTEN ASKED QUESTIONS

**Q. HOW LONG CAN I STAY IN THE HEX?**

*A. Simply follow the recommended exposure schedule posted in the unit.*

**Q. HOW OFTEN CAN I TAN?**

*A. Our unit can be used daily, but never more than once a day.*

**Q. HOW OFTEN SHOULD I USE THE UNIT TO MAINTAIN MY TAN?**

*A. One to two times per week are recommended, depending on skin type.*

**Q. WILL TANNING DRY MY SKIN?**

*A. No, if used in the proper manner. A lotion is recommended but not required. Most clients may wish to use a lotion to add emollients to the skin in order to keep it soft and supple at all times.*

**Q. DOES THE HEX WORK ON VERY FAIR SKIN?**

*A. YES. It may take a little longer to bring out a tan on fair skin, but the HEX has performed well on all skin types.*

**Q. CAN I USE TANNING IF I AM PREGNANT?**

*A. Have your physician make this determination.*

**Q. WILL MEDICATION EFFECT MY TANNING?**

*A. If your client is taking a medication or has a food allergy, request that they consult with their physician before tanning.*

## HOW TO OPERATE A SUCCESSFUL TANNING BUSINESS

Ultraviolet light can cause serious eye problems. The UVA rays can produce retinal burns and UVB rays can burn the cornea. **MAKE SURE ALL CLIENTS USE PROPER EYE PROTECTION.** Each unit is supplied with two pair of goggles. The goggles must be properly disinfected after each use to prevent the spread of any eye infections, by cleaning thoroughly with a soft cloth and rubbing alcohol. Most clients will usually want to purchase their own goggles. This is an excellent opportunity for additional income to your business.

You must examine the clients skin type and determine which category they fall into. Notice if they have a base tan and ask them the following questions:

1. Have you been tanning and for how long?
2. Have you tanned in the last 24 hours?
3. Are you on any medication?
4. (Female clients) Are you pregnant?

If the client is on medication or pregnant, request that they consult their physician before tanning.

No one may tan more than once every 24 hours. Only one person is allowed in the booth at one time.

Every client should be educated to the proper steps to follow to achieve their maximum tan. Remember, all of us tan at a different rate and there is a maximum level that each of us will reach. Tanning is a gradual process so make sure that the client does not have an unrealistic expectation.

# RECOMMENDED EDUCATION OF THE STAFF

*We all know that proper education of your staff is key to the success of your business. Tanning is no different than any other service. While it is not a necessity for formal education of tanning to be required, it is only common sense that you would want at least one member of your salon to attend a seminar on tanning and learn the basic facts about indoor tanning. There are many educational associations across the country that conduct seminars on a regular basis, and at a very reasonable cost.*

*One nationwide organization that provides excellent education and gives all of its members regular updates on government regulations, is S.A.E. (Suntanning Association for Education.) You may wish to contact this organization or others that can assist you learn more about the indoor tanning industry.*

*Suntanning Association for Education (S.A.E.)  
P.O. Box 1181  
Gulf Breeze, Florida 32562-1181  
800/536-8255*

# *LIABILITY INSURANCE*

*We recommend that you carry a minimum of 1 million dollars in tanning liability insurance. You want it to have cancer coverage and "tail" coverage available. Make certain the coverage is per occurrence and not simply the aggregate amount.*

*We do not endorse any specific insurance company, however, following are two insurance companies that you may want to contact:*

*Professional Programs Insurance Brokerage  
Attention: Susan Preston  
1200 Van Ness Avenue, Suite 200  
San Francisco, CA 94109  
415/885-1331*

*Insurance Marketing Center (IMC)  
Attention: Paula Whitenight  
14500 Burnhaven Drive, Suite 135  
Burnsville, MN 55306  
800/245-0023*

*TANNING PACKAGE PRICES  
(Sample)*

<i>ONE VISIT</i>	<i>\$3.95</i>
<i>10 VISIT PACKAGE</i>	<i>19.95</i>
<i>30 DAY PACKAGE, UNLIMITED VISITS</i>	<i>29.95</i>
<i>3 MONTHS, UNLIMITED VISITS</i>	<i>79.95</i>
<i>6 MONTHS, UNLIMITED VISITS</i>	<i>149.95</i>
<i>1 YEAR, UNLIMITED VISITS</i>	<i>219.95</i>
<i>1 YEAR RENEWAL</i>	<i>169.95</i>

*\* One dollar per visit service charge required with all packages (OPTIONAL). If service charge is used, the above example prices may be lower.*

*\* All Tanning should be non-refundable.*

*\* All packages are activated on first tanning visit.*

*\* Limited to one visit per 24 hours.*

*\* All packages are consecutive days and end the specified time after package is first used. Example: 3 month package expires 3 months after package is activated by first visit.*

*\* Your prices should be set to be competitive in your local market.*

# TANNING PRODUCTS

*Tanning products are an excellent source of additional income for your business. Following is a list of recommended products and their function:*

**ACCELERATORS:** *Recommended for the beginning tanner regardless of skin type. They are designed to elevate melanin production by stimulating the melanocytes and therefore accelerating the tanning process. Most accelerators are also helpful in moisturizing the skin which prolongs the tan. When the tanning plateau is reached, a stronger product is needed.*

**AMPLIFIERS:** *They are made to amplify the UV light and direct it into the skin. They work best when a base tan has been established but before the tanning plateau has been reached. Amplifiers can also be used with an accelerator to achieve a base tan in a shorter time.*

**INTENSIFIERS:** *Designed for the advanced tanner who has reached the tanning plateau and wishes to deepen their tan. They break through the top dermal layer of skin and activate the melanocytes for a powerful melanin production. Intensifiers also provide moisture to the skin which is still key to maintaining the life of the tan.*

**MOISTURIZERS:** *A very important last step, moisturizers are necessary to help inevitable loss of moisture. They prolong the tan and soften the skin for a healthy glow.*



# SKIN TYPES

The first step in determining proper exposure time is to evaluate what skin type your client has. Skin types are divided into six groups. Your client must fall into one of these six groups:

SKIN TYPE	SKIN REACTION TO SOLAR RADIATION	EXAMPLES
I	<i>Always burns painfully. Tans little or not at all.</i>	<i>Fair skin-maximum white. Freckles. Blue eyes.</i>
II	<i>Burns easily and painfully. Lightly tans. Peels.</i>	<i>Fair skin. Red or blonde hair. Blue or hazel eyes.</i>
III	<i>Burns moderately. Average tan.</i>	<i>Average caucasian.</i>
IV	<i>Burns minimally. Tans easily and above average each time. Gets pigment darkening.</i>	<i>White or light brown skin. Dark brown hair. Dark eyes. People who already have achieved a base tan.</i>
V	<i>Rarely burns. Tans easily with immediate pigment darkening.</i>	<i>Brown skinned people. Unexposed skin is brown.</i>
VI	<i>Never burns. Tans profusely. Exhibits immediate pigment reaction.</i>	<i>Blacks. Unexposed skin is black.</i>

*Skin type 1 should never be placed in the tanning unit . The amount of exposure time will increase as the skin type is a higher number. Please make certain that your entire staff knows how to judge skin type and knows the proper exposure time for each type of skin.*

*NEVER OVEREXPOSE ANYONE TO UV RAYS.* *The most effective way to achieve the maximum tan is to do it gradually.*

*Protecting your sensitive areas before tanning can help prevent overexposure that can cause dry, irritated skin.*

*LIPS do not produce Melanin, so they will not tan. However, they can become red and chapped.*

*PRIVATE AREAS, those normally covered by a bathing suit, should be covered while tanning. (WE DO NOT RECOMMEND TANNING IN THE NUDE). If your client does tan nude, advise them that their private areas should only be exposed 3 or 4 minutes each tanning session to avoid any irritation or soreness.*

***NOTE: IF YOUR CLIENT IS TAKING ANY MEDICATIONS OR HAS A FOOD ALLERGY, PLEASE HAVE THEM CONSULT THEIR PHYSICIAN BEFORE TANNING.***

# HISTORY AND CONSENT FORM

NAME \_\_\_\_\_

STREET ADDRESS \_\_\_\_\_

CITY \_\_\_\_\_ STATE \_\_\_\_\_ ZIP CODE \_\_\_\_\_

HOME PHONE \_\_\_\_\_ BUSINESS PHONE \_\_\_\_\_

EMAIL \_\_\_\_\_

Please read and sign the following precautions necessary before tanning.

1. Any person using any tanning device in this facility must use proper eye protection. If eye protection is not worn, use of the tanning device may cause damage to the eyes.
2. Overexposure to ultraviolet radiation may cause burns.
3. Repeated exposure to ultraviolet radiation may cause premature aging of the skin and skin cancer
4. Abnormal skin sensitivity to ultraviolet radiation or burning may be caused by certain foods, cosmetics or medications. Any person taking a prescription drug or over-the-counter drug should consult a physician before using a tanning device.
5. A person under eighteen (18) years of age may not use a tanning device in this facility unless the parent or legal guardian has signed this History and Consent Form. This form must be signed and witnessed by an operator in this facility.

I agree that I will comply with all instructions on the use of the UV system and that I am using these services at my own risk.

\_\_\_\_\_  
Name (print)

\_\_\_\_\_  
Signature

### APPOINTMENT SCHEDULE

VISIT	DATE	SESSION LENGTH	COMMENTS	INITIALS
1				
2				
3				
4				
5				
6				
7				
8				
9				
10				
11				
12				
13				
14				
15				
16				
17				
18				
19				
20				
21				
22				
23				
24				
25				

## PHOTOSENSITIZING DRUG LIST

The following list of photosensitizing medications was taken from current literature. Please note that it is not complete and if you are using a product that is not listed, you should consult a physician or pharmacist for guidance.

Before using the list, you should be aware of the following:

1. Not all individuals who use or take these medications will experience a photosensitive reaction. Also, an individual who experiences a photosensitive reaction on one occasion will not necessarily experience it again or every time.
2. A medication will not cause the same degree of skin reaction in all individuals.
3. Brand names of products should be considered only as examples; they do not represent all names under which the generic product may be sold.

Examples are listed by generic name. If you are using a medication in any of the following classes, you should take precautions even if your particular medication is not listed.

### ANTI-HISTAMINES

Astemizole	Deschlorpheniramine	Methdilazine
Azatadine	Dimenhydrinate	Orphenadrine
Brompheniramine	Diphenhydramine	Pheniramine
Bucizine	Diphenylpyraline	Promethazine
Carbinoxamine	Doxylamine	Pyrilamine
Chlorpheniramine	Hydroxyzine	Terfenadine
Clemastine	Meclizine	Tripelennamine
Cyclizing	Methapyriline	Tripolidine
Cyproheptadine		

### COAL TAR AND DERIVATIVES (examples by brand name)

Alphosyl	Ionil T Plus
Aquatar	LAVATAR
Denorex Medicated Shampoo	Medotar
DHS Tar Gel Shampoo	T/Derm Tar Emollient
DOAK Shampoo	Tegrin Shampoo
Estar	T/Gel Therapeutic Shampoo
	Zetar Shampoo

CONTRACEPTIVES, ORAL & ESTROGENS (birth control pills, female sex hormones)

ESTROGENS

Chlorotrianisene  
Diethylstilbestrol  
Estradiol  
Estrogens, conjugated  
Estrogens, esterified  
Estropipate

PROGESTOGENS

Ethinyl estradiol  
Medroxyprogesterone  
Megestrol  
Norethindrone  
Norgestrel  
Quinestrol

NSAID: NON-STEROIDAL ANTI-INFLAMMATORY DRUGS (antiarthritics)

Diclofenac  
Diflunisal  
Fenoprofen  
Flurbiprofen  
Ibuprofen

Indomethacin  
Ketoprofen  
Meclofenamate  
Naproxen  
Phenylbutazone

Piroxicam  
Sulindac  
Suprofen  
Tolmetin

PHENOTHIAZINES (major tranquilizers, anti-emetics)

Acetophenazine  
Butaperazine  
Carphenazine  
Chlorpromazine  
Ethopropazine  
Fluphenazine  
Mesoridazine

Methdilazine  
Methdilazine  
Methotrimeprazine  
Perphenazine  
Piperacetazine  
Prochlorperazine  
Promazine

Promethazine  
Propiomazine  
Thiethylperazine  
Thioridazine  
Trifluoperazine  
Triflupromazine  
Trimeprazine

PSORALENS

Methoxsalen

Trioxsalen

SULFONAMIDES ("sulfa" drugs, antimicrobials, anti-infectives)

Acetazolamide  
Sulfacytine  
Sulfadiazine  
Sulfadoxine

Sulfamethizole  
Sulfamethoxazole  
Sulfapyridine  
Sulfasalazine

Sulfinpyrazone  
Sulfisoxazole

SULFONYLUREAS (oral anti-diabetics, hypoglycemics)

Acetohexamide  
Chlorpropamide

Glipizide  
Glyburide

Tolazamide  
Tolbutamide

THIAZIDE DIURETICS ("water pills")

Bendroflumethiazide  
Benzthiazide  
Chlorothiazide

Chlorthalidone  
Cyclothiazide  
Hydrochlorothiazide

Hydroflumethiazide  
Methyclothiazide  
Polythiazide  
Trichlormethiazide

TETRACYCLINES (antibiotics, anti-infectives)

Chlortetracycline  
Demeclocycline  
Doxycycline

Methacycline  
Minocycline

Oxytetracycline  
Tetracycline

TRICYCLIC ANTIDEPRESSANTS

Amitriptyline  
Amoxapine  
Desipramine

Doxepin  
Imipramine  
Nortriptyline

Protriptyline  
Trimipramine

## ASSEMBLY INSTRUCTIONS - HEX® CLASSIC (TANNING UNIT)

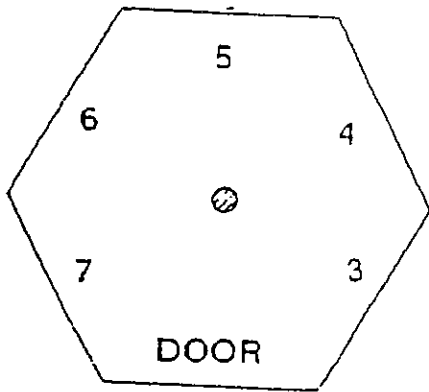
Electrical components are not provided. You will need a licensed electrician for the proper completion of your electrical installation.

One 40 amp breaker is required at the main service box. Conduit is required to wire unit directly to the electrical service panel.

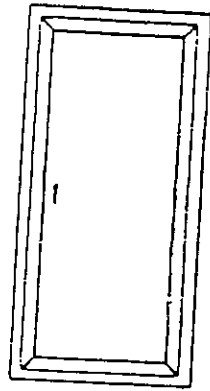
1. Unpack boxes and lay out all parts.
  2. All panels are numbered and pre-drilled as follows: Floor #1, door #2, walls #3,#4,#5,#6,#7, and roof #8. (Figure 1)
  3. Contents of Assembly Bag:  
Package #1: 2" black drywall screws to attach walls.  
Package #2: 2" silver screws and finish washers for the door.  
Package #3: 1 5/8" finish nails to attach outside corner moldings.  
Package #4: 1 1/2" finish nails to attach inside moldings.  
5 - wing nuts  
4 - red wire nuts  
6 - yellow wire nuts  
1 - 10 amp fuse  
1 - 20 amp fuse  
1 - 25 amp fuse  
1 - HEX Door Pull  
2 - pair ultra-violet goggles
- If unit comes with attached dressing room, the following additional items are included in package #4:
- 3 - 40 watt globe light bulbs
  - 20 - 3 3/4" drywall screws
  - 1 - door stop
  - 2 - clothes hooks (1 clothes hook is used if unit is Lt. Oak finish)
  - 1 - change room door knob (Lt. Oak finish only)
  - 1 - set of keys for change room door (formica finishes only)
  - 3 - 1 1/8" black drywall screws
4. Lay floor panel down first, approximately 10 - 12" from wall.
  5. Working counter clockwise, place walls #3 and #4 vertically on floor matching numbers on floor (Figure 2). Screw together with 2" screws (from package #1)



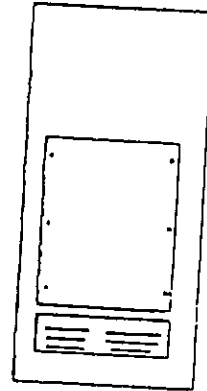
- through (5) pre-drilled holes in each wall. Continue with walls 5, 6, & 7, making sure walls are flush on top of panels (Figure 3).
6. Set door wall in place making sure sides are flush with walls #3 and #7. Screw together with silver screws and washers from (Package #2)(Figure 4).
  7. Place roof on top of unit. Make sure flex conduit for the light fixtures is put through the appropriate hole (Figure 5).
  8. All flex conduit runs into a junction box on top of the roof. Start by connecting all ground wires to buss bar mounted in the bottom of the junction box. Connect all corresponding wires together. (Example: #25 to #25, #26 to #26) Connect all #7 wires together. The neutral wires are all labeled #3, #3+, #3-. Wire-nut all #3 wires together. All #3+ wires together. All #3- wires together. Put all wires in the junction box and install cover.
  9. Install pre-cut outside corner moldings with nails from (package #3). Note: if attached change room is to be installed, only nail moldings on the back four corners, leaving molding off both front corners.
  10. Install silver molding on the inside of each corner of the unit. Make sure the notched piece is placed to the door (on the hinged side). Nail in place with nails from (package #4). Install door handle.
  11. Install all lamps. **Caution:** Do not look directly at the lamps when the unit is turned on without wearing goggles. Lamps are first placed in the top plunger socket, pushing gently upward while aligning the lamp with the bottom socket. When aligned, gently place the bottom of the lamp in the socket. Note: lamps should be installed with the name (logo) at the top, facing towards you.
  12. Install mesh screens. Place screens in bottom of fixture, lift screen slightly and fasten in place with wing nut provided.



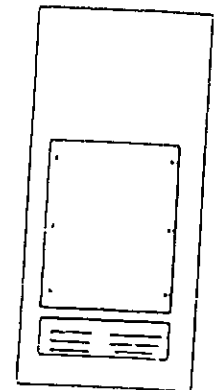
HEX FLOOR  
#1



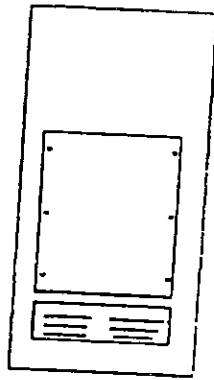
HEX DOOR  
#2



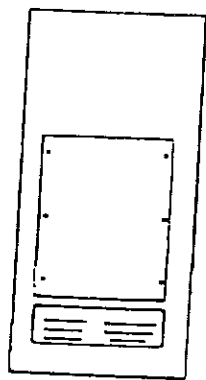
WALL #3



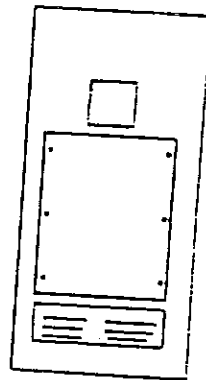
WALL #4



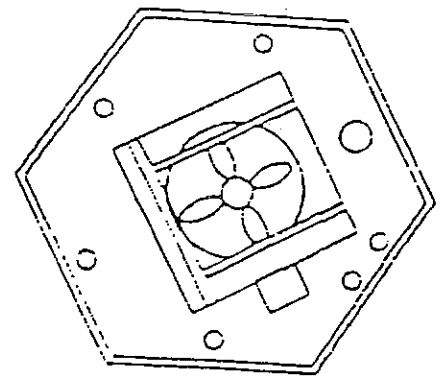
WALL #5



WALL #6

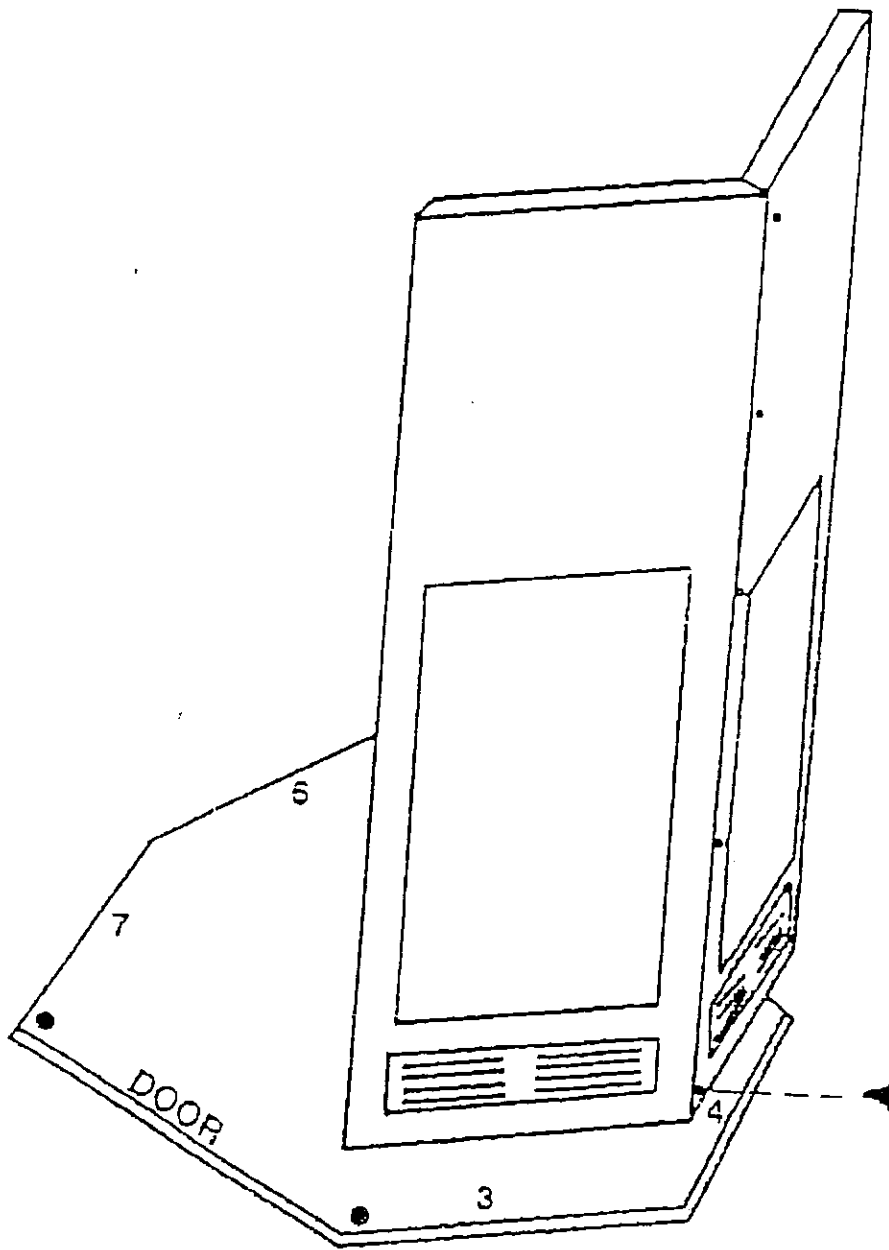


WALL #7

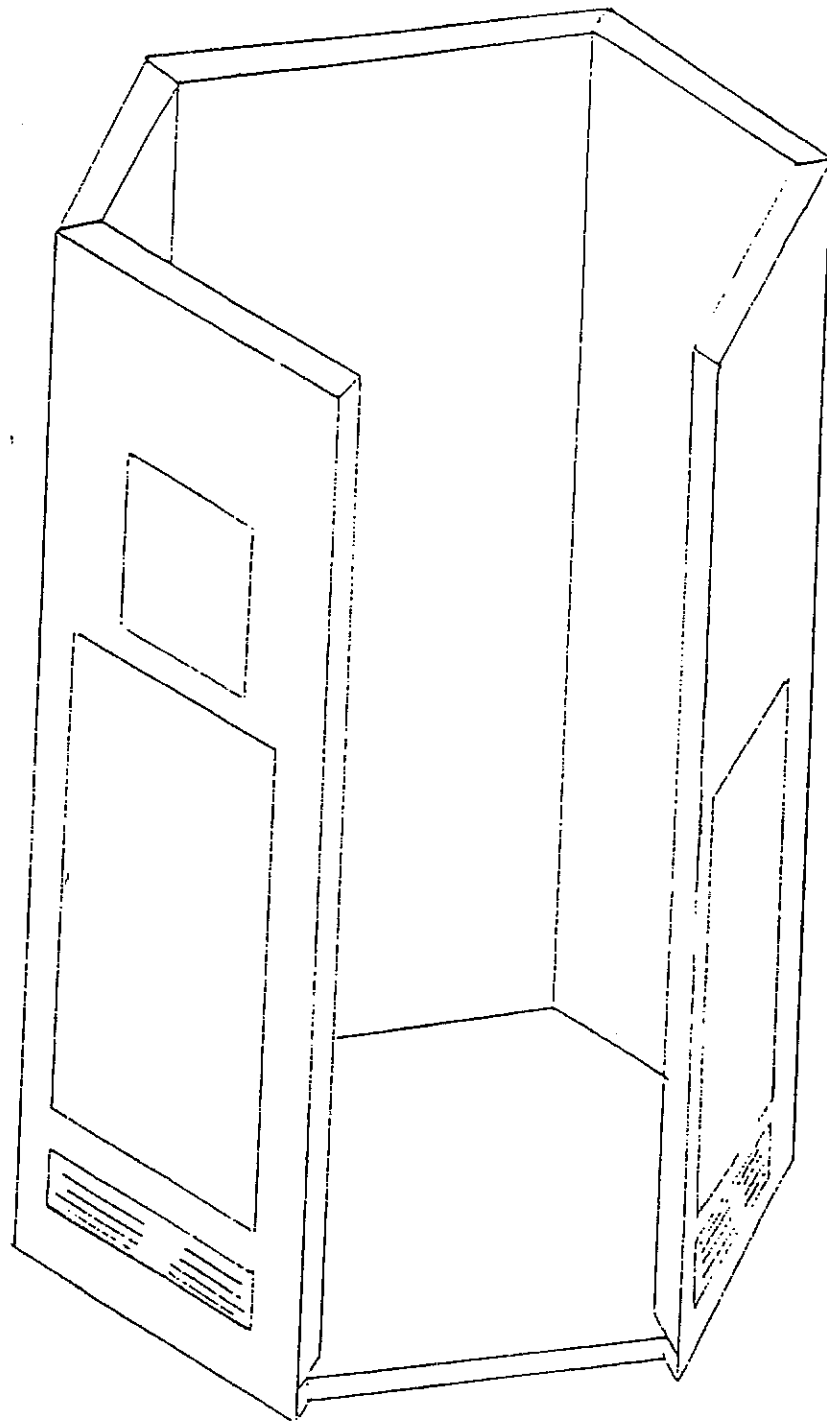


HEX ROOF  
#8

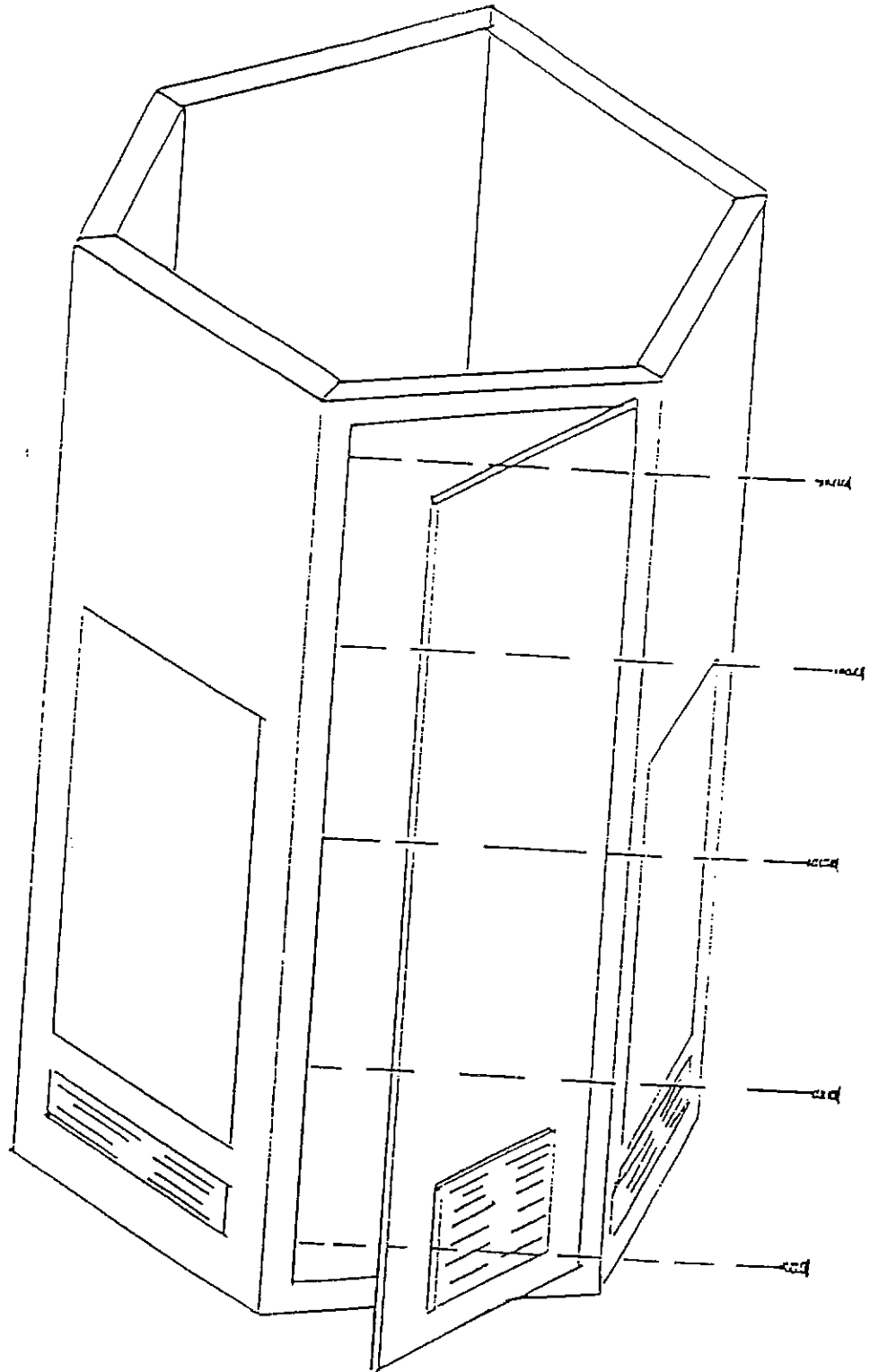
(FIGURE 1)



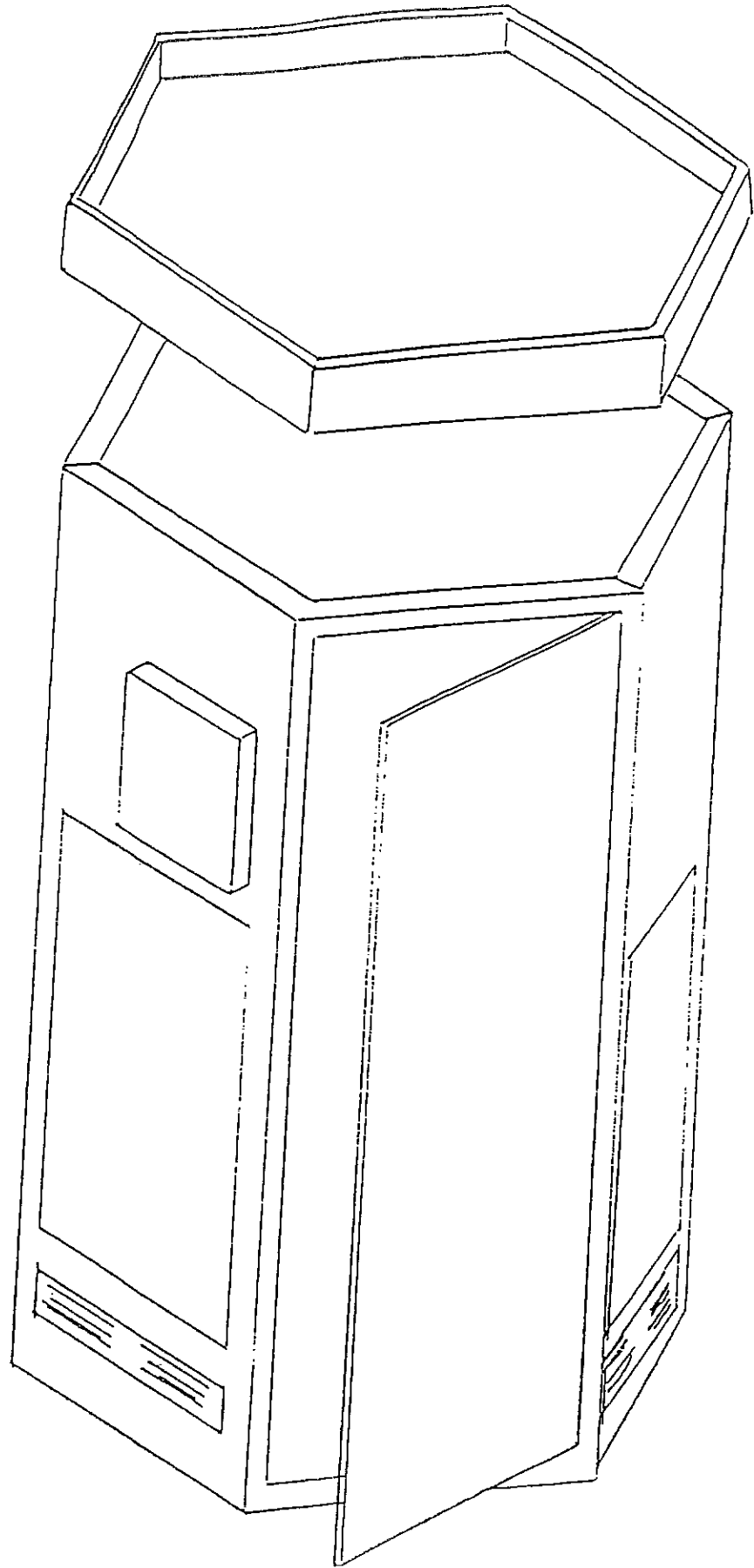
(FIGURE 2)



(FIGURE 3)

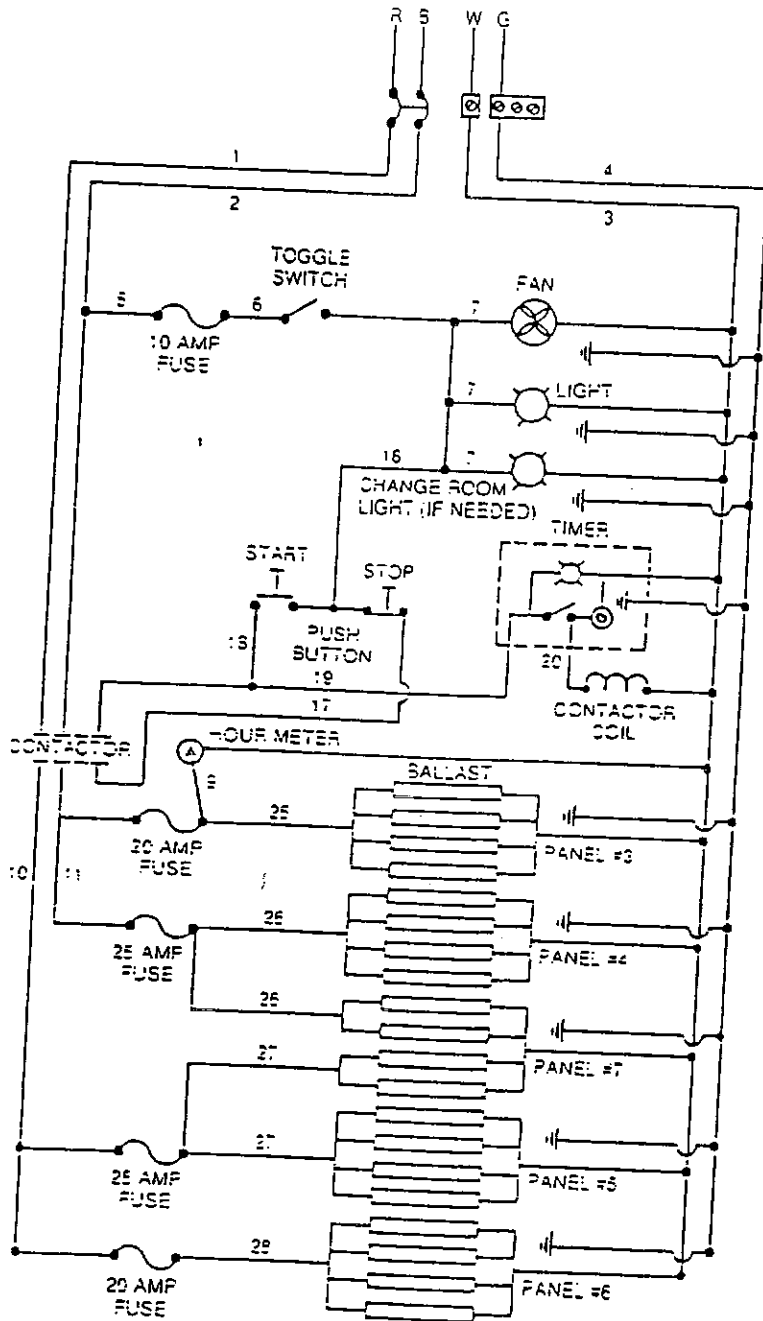


(FIGURE 4)

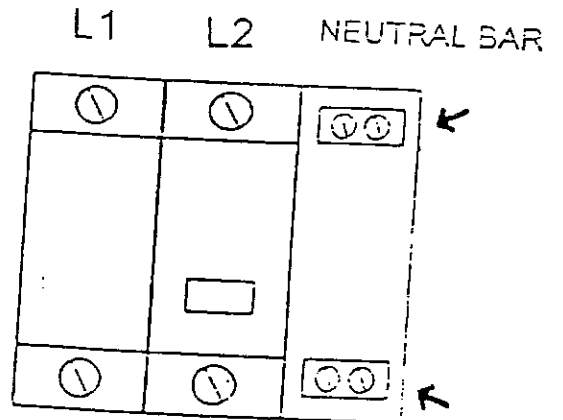


(FIGURE 5)

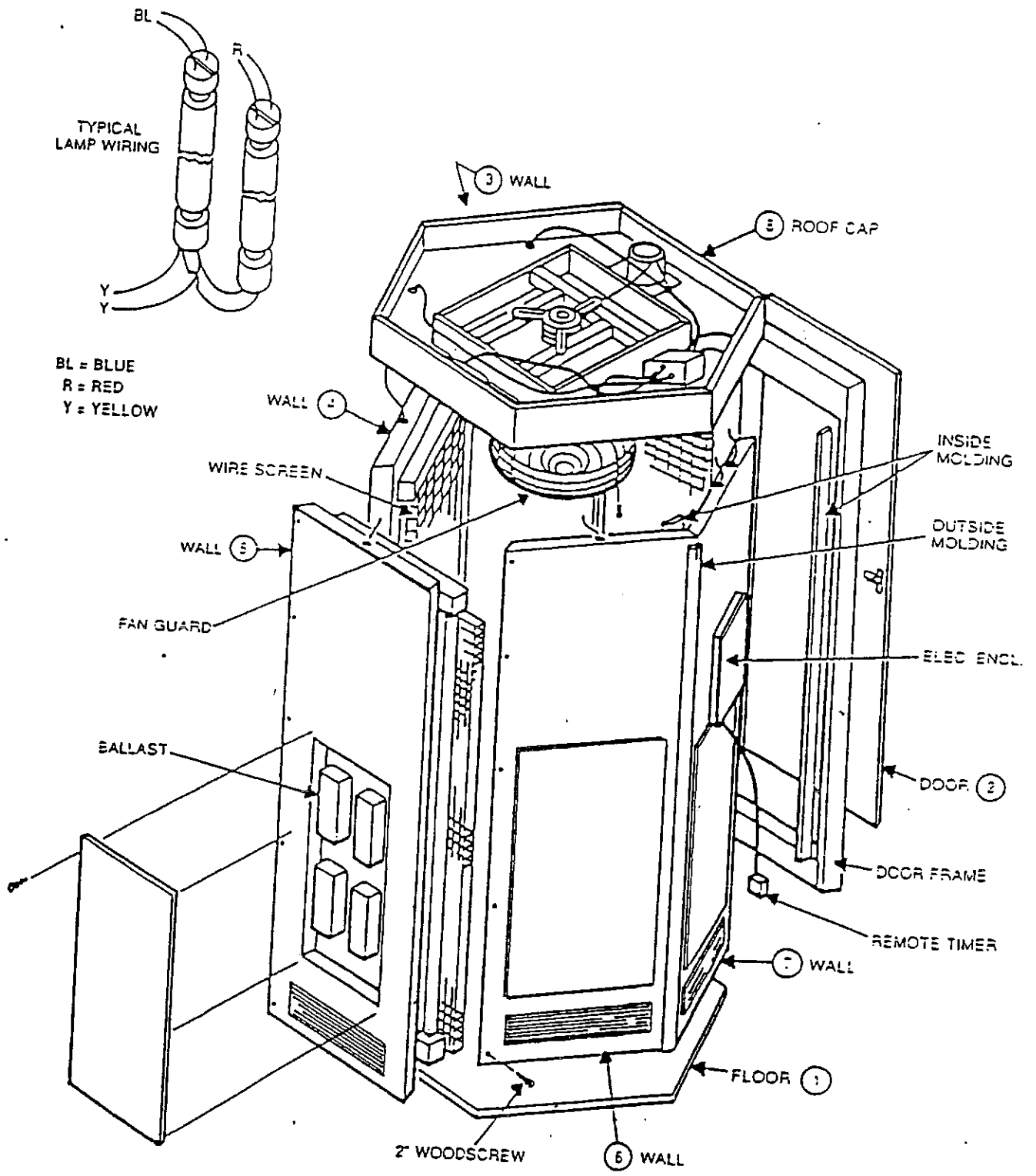
# ELECTRICAL REQUIREMENTS



- ⊛ 208/220V Single Phase
- ⊛ Use (4) four #8 wire for hookup
- ⊛ One (1) hot wire to L1
- ⊛ One (1) hot wire to L2
- ⊛ Neutral wire to neutral bar
- ⊛ Ground wire to grounding bar



# TANNING UNIT DIAGRAM





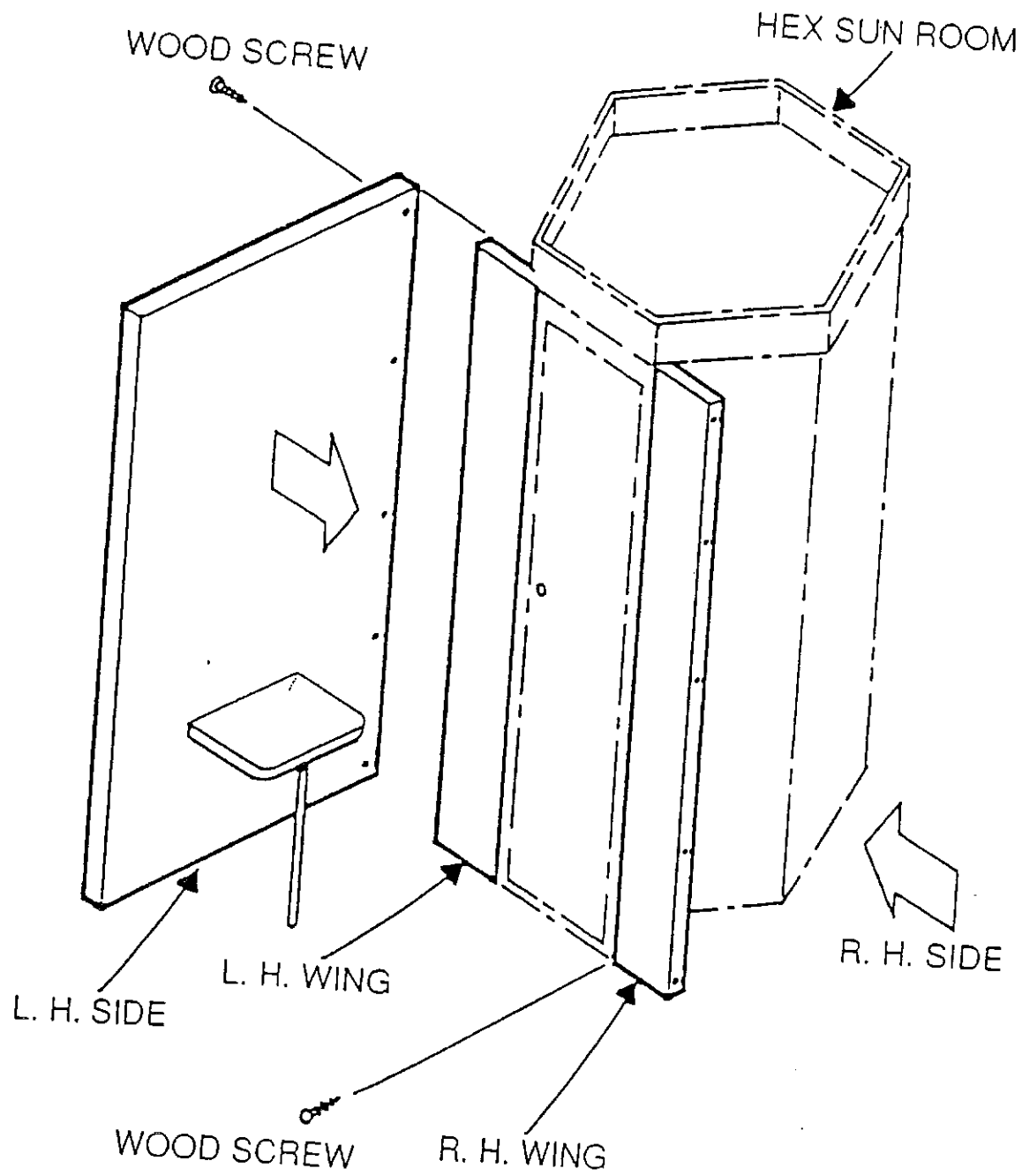
## ASSEMBLY INSTRUCTIONS (Change Room)

1. Unpack boxes and lay out all components:
  - 2 - wing panels
  - 1 - light fixture wall
  - 1 - seat wall
  - 1 - door
  - 1 - change room roof
  - 4 - exterior moldings
  - 5 - interior moldings (3 long, 1 medium, 1 short)
  - 1 - corner wall shelf
  - 1 - black threaded seat pole
  - 1 - door handle and lock set (if not factory attached)

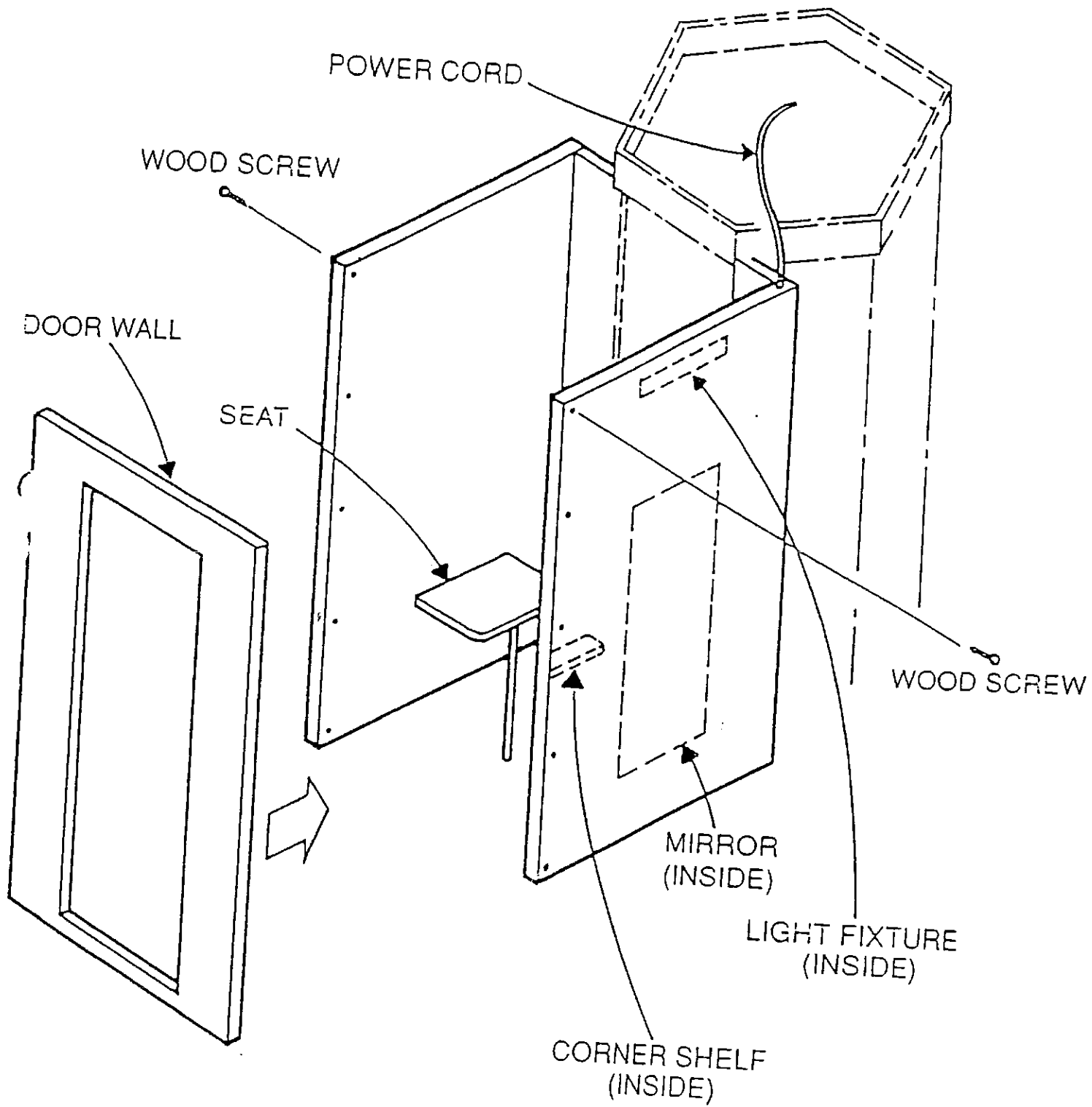
Note: The change room has no floor.
2. Set narrow right hand wing panel (labeled #1) parallel and flush to the door corner, which is notched to fit in place at the top where the roof connects. Screw together with 2" screws from (package #1) through (5) pre-drilled holes. Attach left hand narrow wing panel (Labeled #2), the same way as the right hand wing wall. Set the seat wall on the left side of the unit, so the seat is facing inward. Screw into panel #3 with 3 3/4" screws (from accessory bag) through (5) pre-drilled holes. Attach mirror/light wall on right side of unit, in the same way. (Make sure mirror/lights are facing inward.) (Figure 1)
3. Set door-wall panel in place. Screw together with 3 3/4" screws (from accessory bag) through (5) pre-drilled holes. (Figure 2)
4. Install roof-panel. The flex conduit (power cord) from the light fixture must be inserted through cut-out provided. Make sure both roofs are butted together. (Figure 3)
5. Run flex conduit (power cord) from the light fixture to junction box on the HEX<sup>®</sup> roof and make connections to corresponding numbers (#3's, #4's, #7's) Install outside corner moldings with finish nails from (package #3).(Figure 4)
6. If the unit is a formica laminate, there are five inside corner mouldings to be attached. Nail the smallest piece of moulding to the top corner where the change room shelf is to be placed. Install the corner shelf with (3) silver 5/8" screws (from accessory bag). Nail the four foot piece under the shelf.

The remaining three pieces are attached to the other three corners. (If the unit is a Lt. Oak finish, there are no inside corner mouldings, however, the change room shelf must still be installed.)

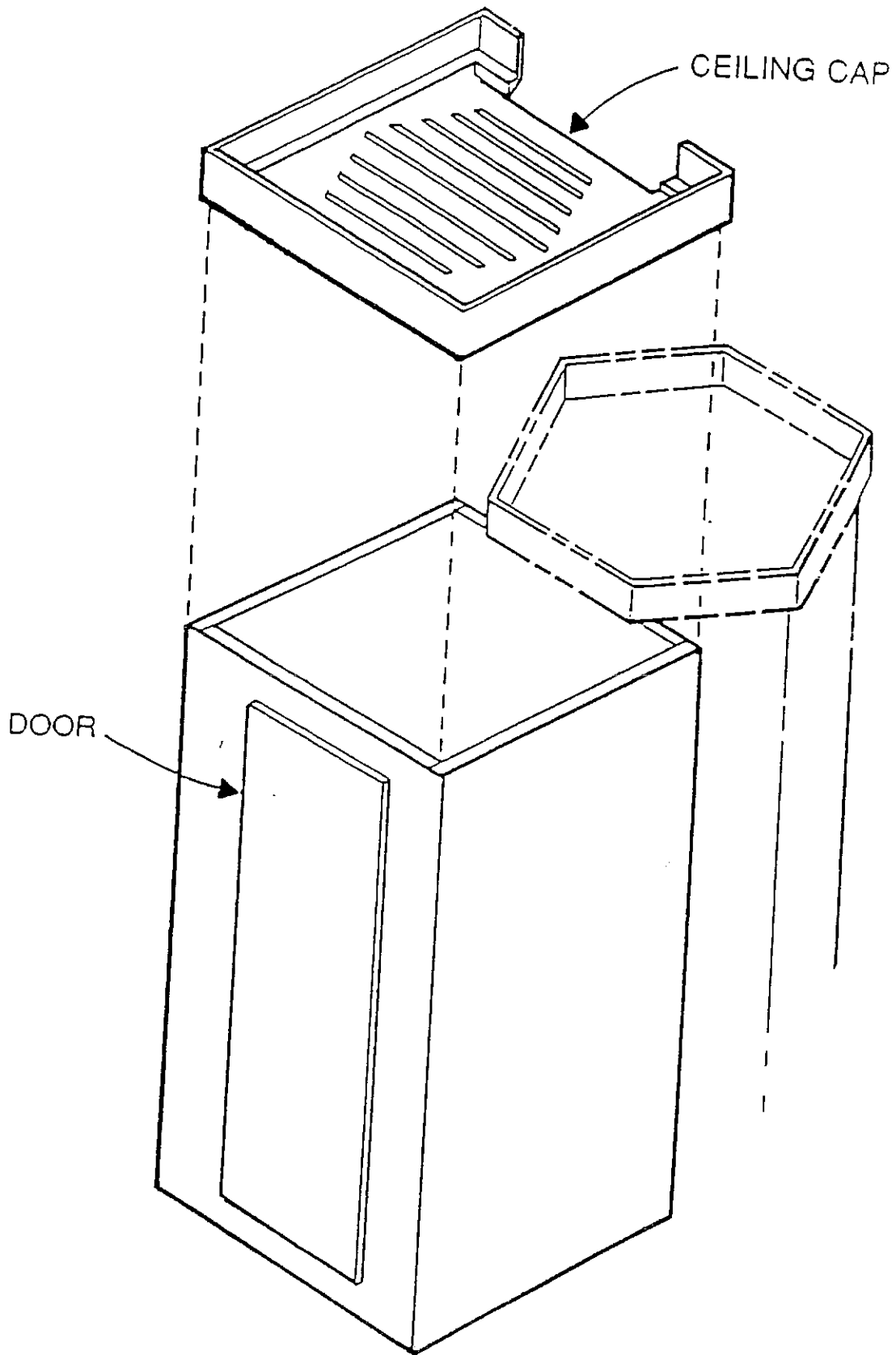
7. Install globe light bulbs in fixture.
8. Install the black threaded seat pole under the seat.
9. Attach one clothes hook on the inside of the change room door. If the unit is a formica finish, another hook is installed on the wall above the change room seat.
10. Install door handle and lock.



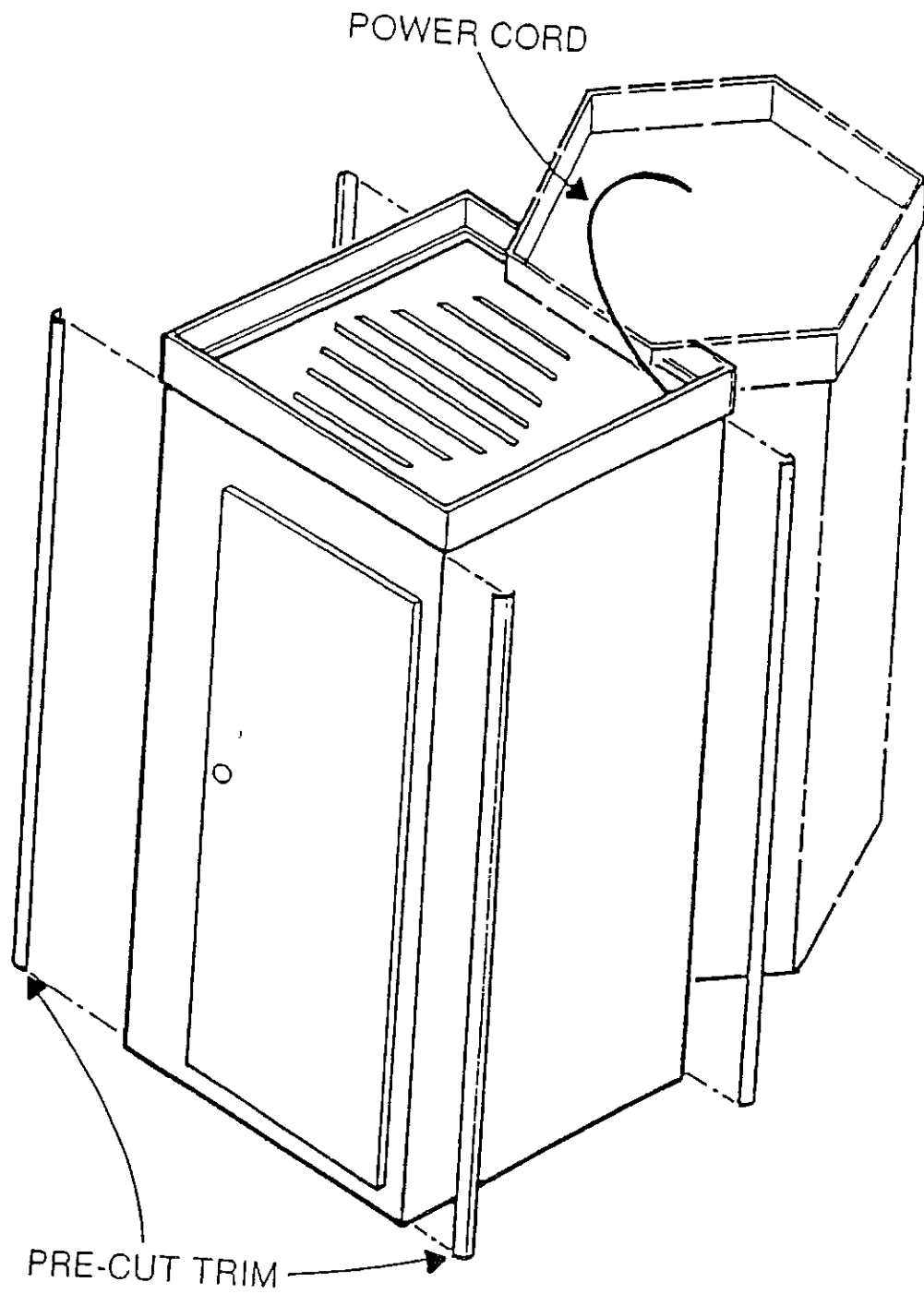
(FIGURE 1)



(FIGURE 2)



(FIGURE 3)



(FIGURE 4)

## HEX® CLASSIC OPERATION

1. Turn the toggle switch on the main control panel to the "on" position. This will start the fan and turn on the HEX® ceiling lights. (If you have a change room, this will also turn on the change room globe lights)
2. Set the timer to the desired minutes.
3. When your customer enters the unit, they will push the "on" button (located on the right hand wall as you are facing the door.) This will turn the tanning lamps on and start the timer.
4. When your customer turns on the unit, the green light on the timer box will light. When the tanning time has expired, the light will go out.
5. The "off" button inside the unit is used to turn off the tanning lamps in the event that your customer decides to end his tanning session prior to the timer automatically turning off the lamps.
6. When the desired time has expired, the tanning lamps will turn off. However, the fan and courtesy lamp will remain on to cool the unit.
7. At the end of the day, turn the toggle switch to the "off" position.

**Warning!** Do not operate the unit with the lamp guards off.

## HEX CLASSIC TROUBLE SHOOTING GUIDE

### UNIT:

1. Check power to the unit
2. Check breaker (on unit and at main control panel)

### FAN:

1. Check 10 amp fuse
2. Check breaker
3. Check toggle switch
4. Check fan motor

### FAN WORKS, LIGHT DON'T:

1. Check on/off push button
2. Check contactor

### TWO LIGHTS OUT ON ONE WALL:

1. Check lamps
2. Check sockets
3. Check for loose wires (connecting sockets)
4. Check ballast

### PANELS OF LIGHTS OUT:

1. Check fuses
2. Check power to unit (may have one leg of power out)
3. Check breaker.

### CONTACTOR DOES NOT CLOSE:

1. Check the voltage coil. This should be 120 volts. To do this, the timer must be on and the start button must be depressed. If the voltage is correct, the coil is bad and the contactor needs to be replaced.

### CONTACTOR BUZZES AND ARCHING:

1. Contactor may be dirty.

### FAN WORKS, LIGHT DO NOT:

1. Check fan motor
2. Check for loose wires

### TIPS TO CHECK OUT PARTS:

1. To check toggle switch, use a volt meter. Attach one lead to the neutral bar, the other to the junction terminal at the fuse bar. Turn the toggle switch on and off. The power should go on and off.



2. To check the On/off pushbutton, attach a volt meter to the neutral bar and to terminal #13 on the contactor. You should get a reading of 110 volts. If not, the stop button is bad. To check the start button, attach a volt meter to the neutral bar and to terminal #14 on the contactor. This should not read anything. Press the start button and you should now get a reading of 100 volts. If not, the start button is bad.
3. To check the timer, attach a volt meter to the neutral bar and to terminal #14 on the contactor. You should get no reading. Depress the start button. You should now get a reading of 110 volts. If you get a reading of 110 volts, make sure the timer is on and attach a Volt Meter to A2. Depress the push button. If you do not a reading of 110 volts, the timer is bad.

The manufacturer suggests that screws be re-tightened every six months. Any electrical devise can cause screws to loosen during normal use.