



OWNER'S MANUAL

FOR

ORBIT OMEGA

VHP SYSTEM

**QUARZLAMPENFABRIK DR. MÜLLER
RUHRTALSTRASSE 93
D-45239 ESSEN**

Stand: 10.11.95 de

"DANGER - Ultraviolet radiation. Follow instructions. Avoid overexposure. As with natural sunlight, overexposure can cause eye and skin injury and allergic reactions. Repeated exposure may cause premature aging of the skin and skin cancer. **WEAR PROTECTIVE EYEWEAR; FAILURE TO MAY RESULT IN SEVERE BURNS OR LONG-TERM INJURY TO THE EYES.**

Medications or cosmetics may increase your sensitivity to the ultraviolet radiation. Consult physician before using sunlamp if you are using medications or have a history of skin problems or believe yourself especially sensitive to sunlight. If you do not tan in the sun, you are unlikely to tan from the use of this product."

1. This **ORIGINAL DR. MÜLLER SOLARIUM** has been equipped with

DR. M 2000 US HID facial lamps

Tubes and lamps may not be substituted except as recommended by the manufacturer.
DO NOT REMOVE THIS LABEL.

2. User must wear protective eyewear at all times. For replacement eyewear call your local distributor. Recommended eyewear is Georg Schmerler Type 2255.

3. For safety and best results do not position yourself closer than 6" (approx. 15 cm) to the tanning surface. The length of your hand is a good rule. Any other position may result in overexposure.

RECOMMENDED EXPOSURE SCHEDULE / FOR BOTH SIDES

SKIN TYPE	WEEK 1 SESSIONS	WEEK 2 SESSIONS	WEEK 3 SESSIONS	WEEK 4 SESSIONS	WEEKLY MAINTENANCE SESSIONS
II = Fair	1 - 3 6 min.	4 - 6 6 min.	7 - 9 10 min.	10 - 12 16 min.	16 min.
III = Medium	6 min.	6 min.	10 min.	16 min.	
IV = Dark	6 min.	10 min.	16 min.	16 min.	

First six sessions to be at 48 hour intervals; tan maintenance: one session per week at week 4 dose;



TABLE OF CONTENTS

TABLE OF CONTENTS:

RECOMMENDED EXPOSURE SCHEDULE	2
USER INSTRUCTIONS	3
TANNING RULES	4
SPECIFICATIONS	5
GENERAL INSTRUCTIONS	6
ASSEMBLY INSTRUCTIONS	7 - 17
OPERATIONAL INSTRUCTIONS	18 - 19
REPLACEMENT OF HID LAMPS	20
BASIC TROUBLESHOOTING	21 - 22
DEALING WITH PROBLEMS	23 - 24
SERVICE AND MAINTENANCE	25 - 27

ADDENDA:

SELECTED SPARE PARTS LIST
WIRING DIAGRAMS

**READ THIS MANUAL CAREFULLY BEFORE USING THIS
DEVICE.**

FOLLOW INSTRUCTIONS!



RECOMMENDED EXPOSURE SCHEDULE FOR SKIN TYPE II

SKIN TYPES

SKIN TYPE I: Light skin type with very little or no pigments, not tan, like with natural sunlight
will We do not recommend any exposure to UV-A irradiation.

SKIN TYPE II: Light skin type with some pigments. We recommend the exposure schedule cited below.

SKIN TYPE III: Medium coloured skin or skin normally pigmented.

SKIN TYPE IV: Dark skin type or highly pigmented skin type.

Although the erythma threshold for skin type III and IV is considerably higher than for skin type II we recommend to base exposure times for skin type III and IV on the recommended exposure schedule for skin type II.

RECOMMENDED EXPOSURE SCHEDULE FOR SKIN TYPE II

■ LIGHT SKIN TYPE WITH SOME PIGMENTS

Recommended exposure time at the beginning (both sides):	6 minutes	3 sessions a week
Recommended exposure time after 3 sessions:	6 minutes	3 sessions a week
Maximum recommended exposure time (f. both sides)	16 minutes	
Recommended number of sessions to obtain a tan:		7 - 10 sessions
Recommended intervals to obtain a tan:		2 days
Recommended number of sessions to maintain a tan:	16 minutes	1 session a week

Orbit Omega 12

Made in Germany

Quarzlampenfabrik Dr. Müller GmbH
Ruhrtalstrasse 93 · D-45239 Essen

This product conforms to the amended performance standard for sunlamp products under 21 CFR 1040.20 effective September 8, 1986.

CAUTION: High Voltage!
Unplug from power supply
before attempting to service.

Manufactured Serial Number

△ 3 x 240 Volt, 60 Amps, 60 Cs
12 DR. M 2000 US HID-lamps

TUBES AND LAMPS MAY NOT BE SUBSTITUTED
EXCEPT AS RECOMMENDED BY THE MANUFACTURER.
DO NOT REMOVE THIS LABEL!

DR. MÜLLER · D-45239 ESSEN

VOLTS 240 · △3-Phases · AMPS 60 · Cs 60

MODEL Orbit Omega 12

CERTIFIÉ EN VERTU DU
CODE CANADIEN DE
L'ÉLECTRICITÉ
SEULEMENT

CERTIFIED ONLY TO THE
CANADIAN ELECTRICAL
CODE

SERIAL

MANUFACTURED



USER INSTRUCTIONS

This sunbed produces UV-A radiation similar to that produced by the sun, however, in a much stronger and more concentrated form. The amount of UV-B radiation has been reduced to a minimum.

For this reason it is recommended that the maximum exposure time listed on the User Label should not be exceeded for someone with a light skin type with some pigments (= skin type II).

PLEASE USE INDICATED EXPOSURE SCHEDULE TO DETERMINE INITIAL EXPOSURE TIMES ACCORDING TO YOUR SKIN TYPE!

This sunbed will produce much the same results as experienced while tanning in the natural sun. People who are not likely to tan in the sun will also not get a tan from the use of this product.

Using the sunbed SENSIBLY should prevent sunburn and other types of skin damage. The dangerous UV-B component of the UV-spectrum has been greatly reduced. THERE IS NO UV-C COMPONENT PRESENT.

The individual limit is reached if a few hours after the use of this product the skin turns slightly red or feels a little tight (erythema threshold).

NOTE: THIS ERYTHEMA THRESHOLD SHOULD NOT BE EXCEEDED!

At all times use the indicated exposure schedule to determine maximum exposure time and be aware that non-tanned portions of the body should be considered when selecting the proper exposure schedule.

The best distance to the tanning surface is about 6" (15 cm). The length of your hand is a good rule of thumb for this distance.

The sunbed is equipped with one set of protective eyewear.

ONLY ONE PERSON MAY USE THE SUNBED AT ONE TIME!



TANNING RULES

- Each user should strictly observe the EXPOSURE SCHEDULE listed on the tanning unit.
- Make sure that the tanning unit is equipped with a TIMER . The maximum time interval on the timer may not exceed the maximum recommended exposure time indicated on your tanning unit.
- USE PROTECTIVE EYEWEAR! Wear eye goggles or other UV-blocking eye protection. As with natural sunlight overexposure can cause eye injury.
- Beware of any photosensitive medication or cosmetics applied to the skin before and while tanning. It may increase your sensitivity to UV-light. In case of doubt, consult your physician.
- Take a series of controlled tanning sessions! The cumulative effect of multiple sessions will produce increased stimulation of pigment forming cells and leads to a long lasting and rich tan which protects better against sunburn.
- For those people who decide to tan " au naturel" make sure to remember those areas of your body which are normally not exposed to sunlight and are more sensitive to ultraviolet light. Generally clothed areas such as chest or buttocks, for instance, react more sensitively than the face or arms.
THEREFORE, TAN CAREFULLY!
- Keep in mind, that in spring, after the lack of sunlight in winter, your skin reacts much more sensitively to ultraviolet light than, say in autumn.
- Remember, a tan normally lasts up to almost 4 weeks. After an intensive series of tanning sessions or an extensive holiday in the sun, take a rest period of some weeks before working on the maintenance of your tan.

TECHNICAL DATA

Type:	Orbit- Omega
Electrical connection:	240V Δ 3-phases, 60 Cs
Actual amperage:	60 amps
Fuses:	3 x 80 amps
Height (max.)	145 cm (57")
Length:	
Sunbed only w/o body cooling fan	210 cm (83")
Body cooling fan:	H: min. 93.5 cm (c. 37") variable height:adjustable footscrews L: 61 cm (c. 24") D: 37 cm (c 14.5 ") Allow for some clearance between fan, sunbed and wall
Depth:	133 cm (53 ") incl. exhaust air stacks
Lamp specs.	12 x Dr M 2000 US

Note: An all-pole circuit breaker (FI-safety switch) must be provided at the site of installation.



ASSEMBLY INSTRUCTIONS

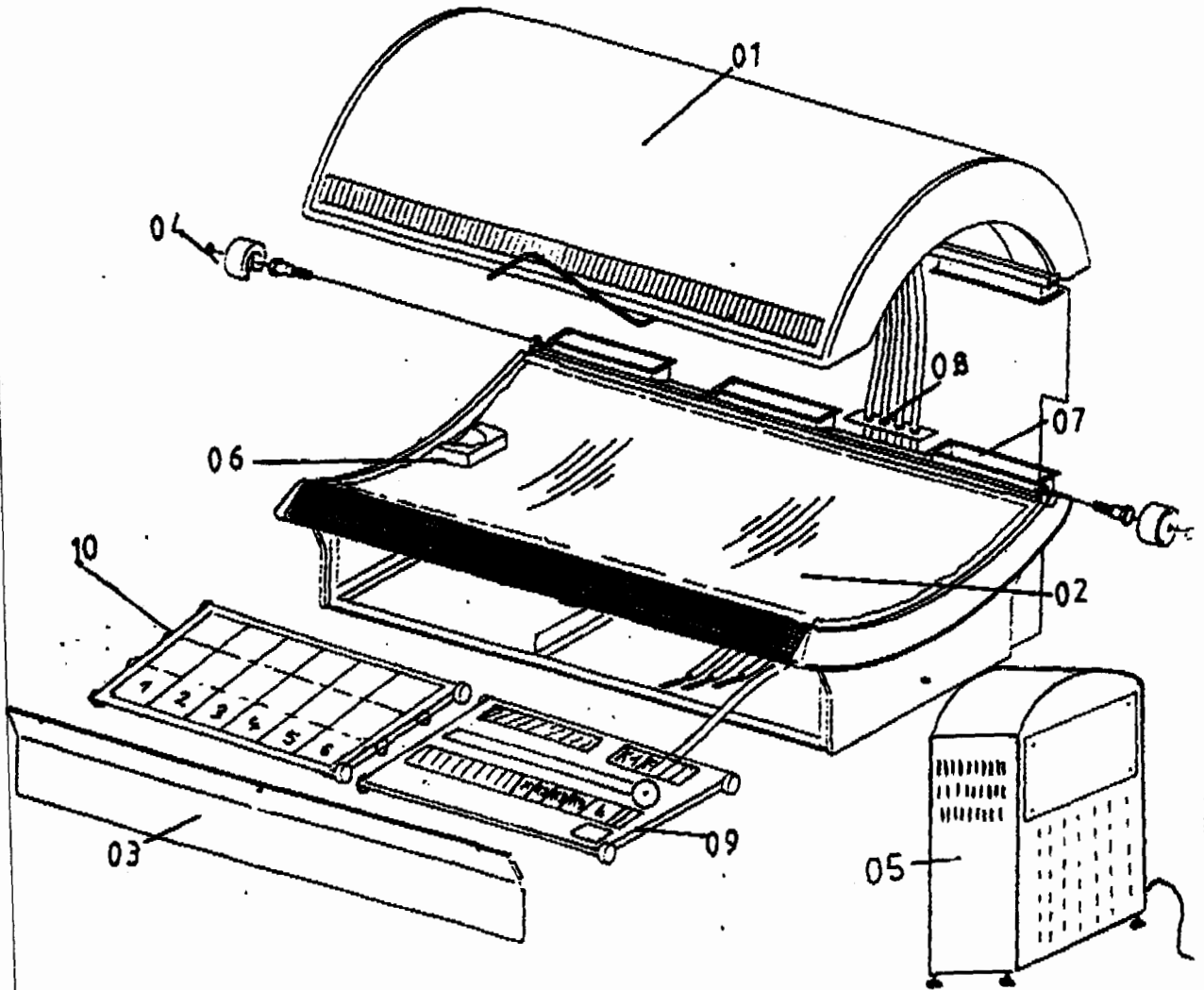
General Instructions:

- Please, take care that the solarium is only installed in locations where it is protected from water and humidity.
- Ambient temperature should not exceed max. 30-32 ° Celsius.
- During assembly and service work the unit must be unplugged.
- The solarium has to be fully assembled before operation or test run to check its function.

- Assembly and service work should only be performed by qualified and authorized technicians.



General view:



- 01.) Top
- 02.) Sunbed
- 03.) Front plate
- 04.) Cap for axial point
- 05.) Fan

- 06.) Pillow
- 07.) Air ducts (2x)
- 08.) Cable plate
- 09.) Moveable ballast tray
- 10.) Ballasts (pre-assembled)



ASSEMBLY INSTRUCTIONS

The solarium is packed into three boxes

- 1. Top**
- 2. Sunbed**
- 3. Ballasts**

For airfreight shipments the unit is packed into two boxes (top and sunbed- preassembled and ballasts).

Assembly work must always be performed in the following order:

1. Sunbed Box:

Open this box and dispose carefully of the packing material - all tools and accessories for assembly work are in this box. Please, check immediately whether shipment is complete:

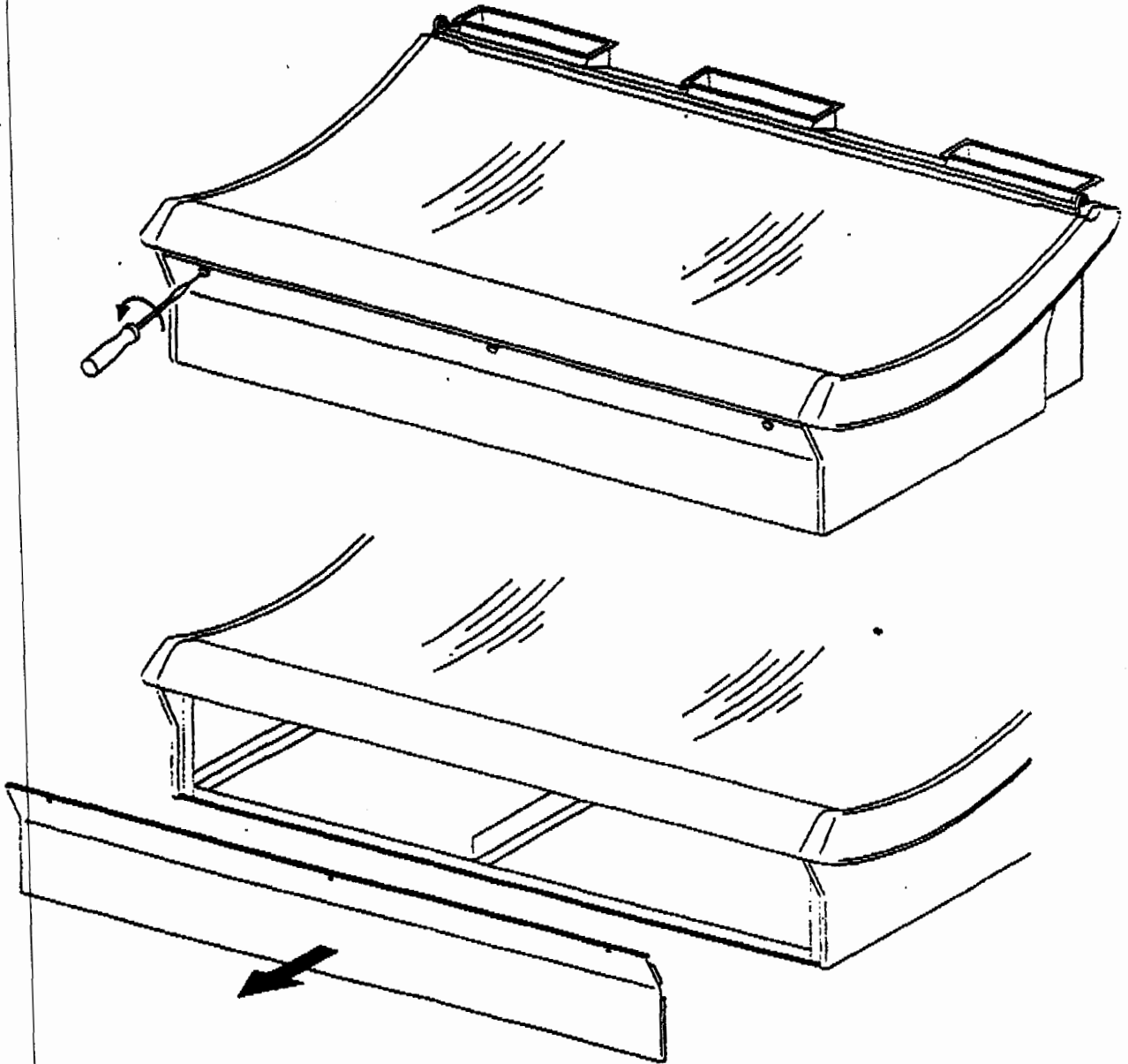
- 1. Fan**
- 1 Ballast tray w/wheels**
- 2 Caps for axial points**
- 1 Pillow**
- 1 Assembly kit.**

Take the sunbed out of the box and place it at the site of installation. Take care that the ground is even. If necessary use adjustment screws.

**Loosen the quick fasteners of the front cover plate and put it aside.
Cf. figure 1:**



Fig. 1: Disassembly of Front cover plate

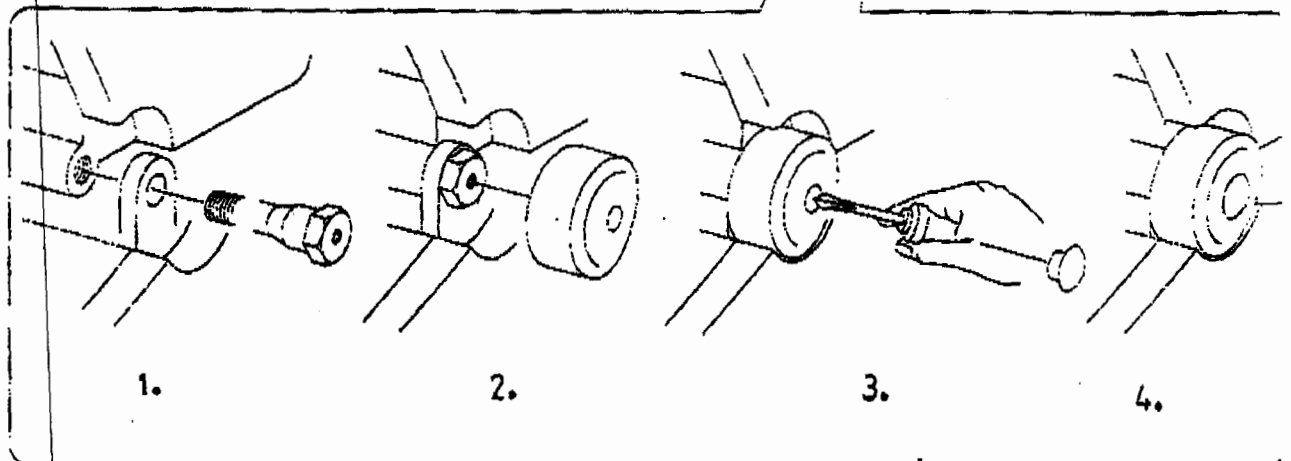
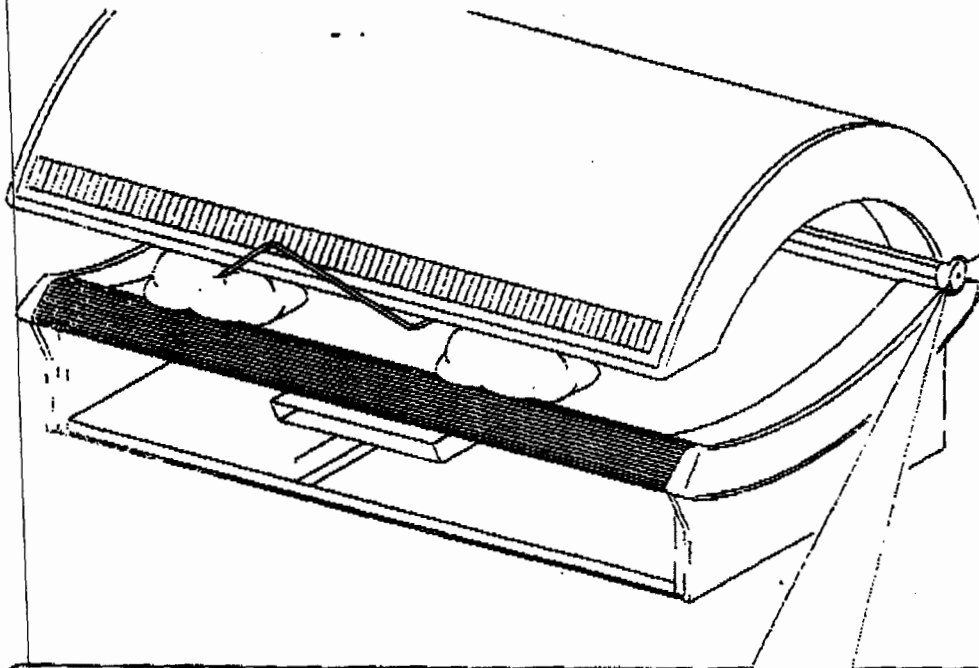




ASSEMBLY INSTRUCTIONS

Then, take the top out of Box 1 and put it carefully into the groove between the two axial points of the sunbed. Use soft packing material for front top.

Fasten top on both sides with supplied screws (see 1) and assemble endcaps (see 2, 3 and 4).





ASSEMBLY INSTRUCTIONS

Pull the cables from the top through the provided cable conduits of the bench and fasten the plate.

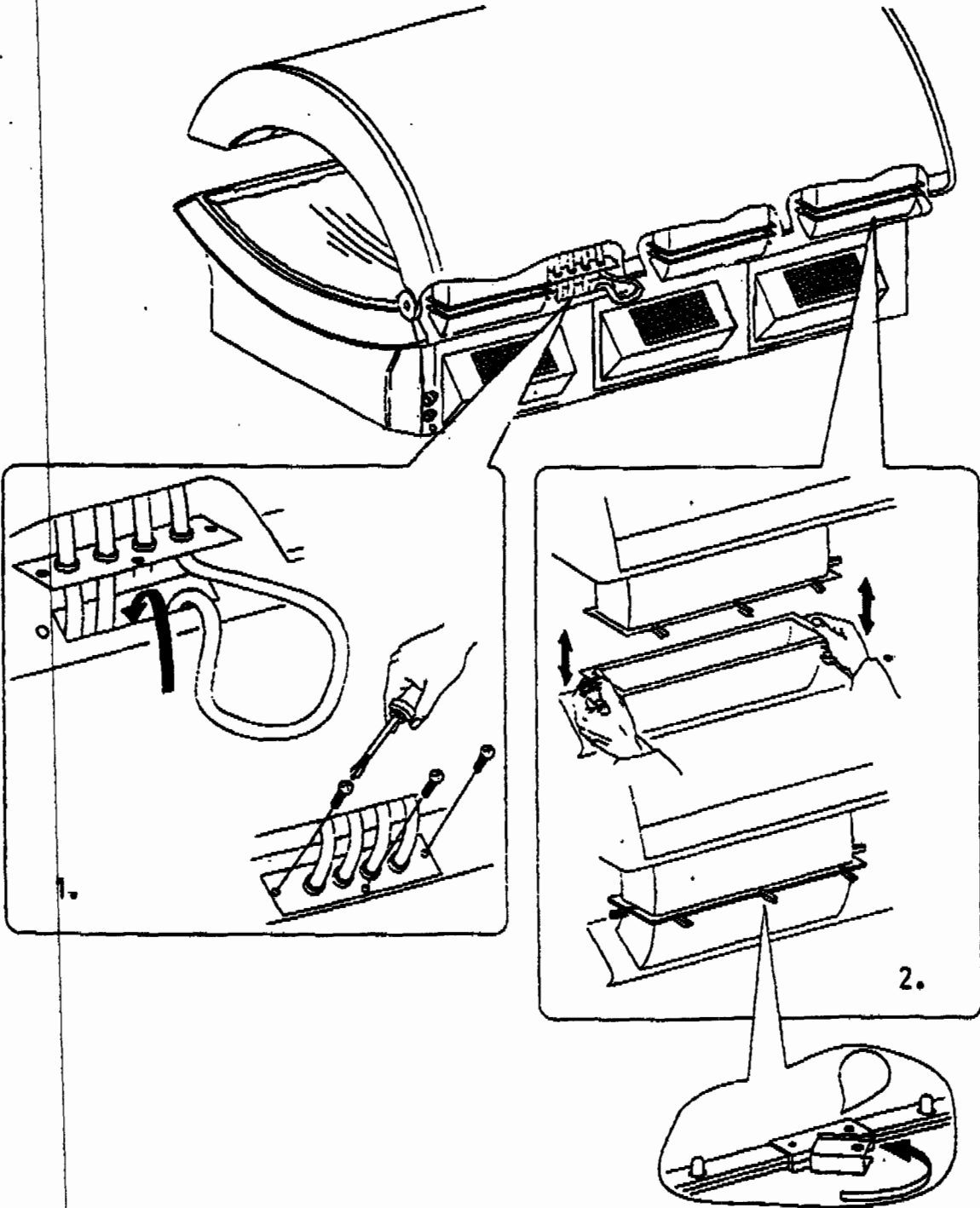
See Fig. 1 on the following page.

The air ducts are provisionally fastened for transport. Loose connections and assemble air ducts properly with pre-mounted clips.

See Fig. 2 on the following page.



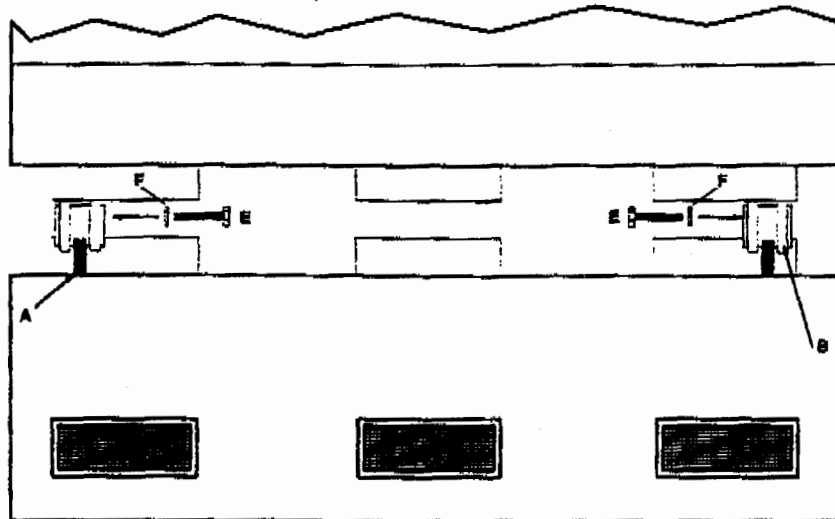
ASSEMBLY INSTRUCTIONS





For all Omegas starting with serial number 00161, the bracket that holds the lift arm in the top structure is secured with bolt and washer. The support plate which was used in older versions is no longer used.

In order to disassemble the top you have first to loosen the bolt before you can lift off the top structure. When assembling the top again, please take care that the bolt is inserted again.



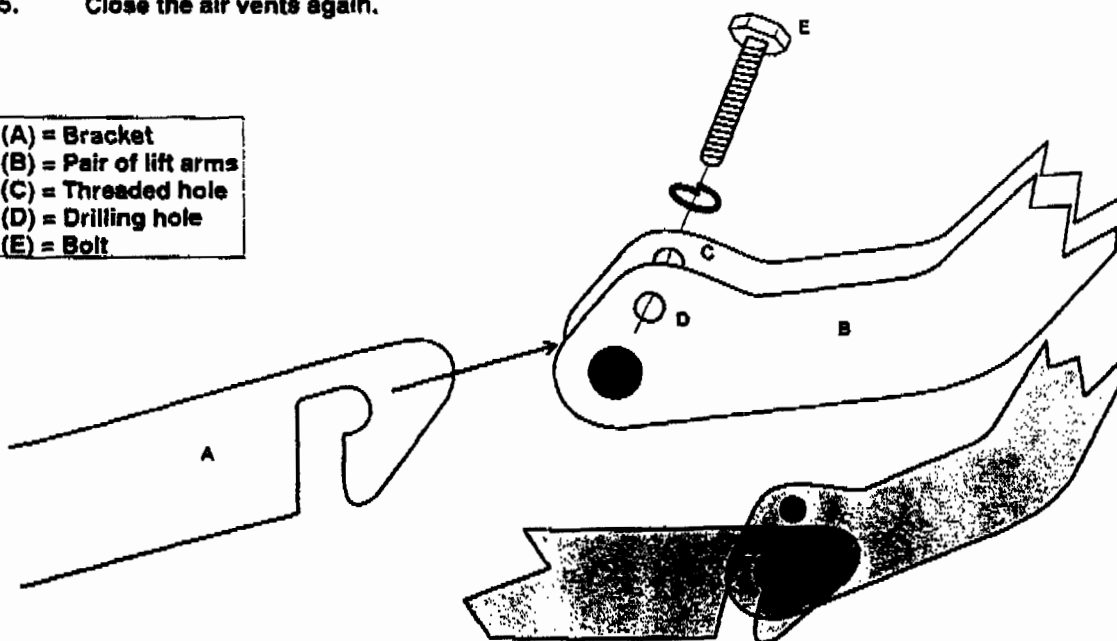
1. Open the air vents.
2. Loosen the bolt with appropriate wrencher and take off the bolt.

You may now proceed with disassembly of top structure.

Re-assembly of bolt and spring washer.

1. Attach the bracket (A) to the lift arm (B). The threaded hole for the bolt is on the right side of the lift arms (which shows inside the bed).
2. Put the spring washer (F) onto the bolt (E)
3. Fasten bolt and take care that the bolt secures both parts of the lift arm.
(Threaded hole and drilling hole)
4. Fasten bolt tightly. The spring washer will hold the bolt in place.
5. Close the air vents again.

(A) = Bracket
(B) = Pair of lift arms
(C) = Threaded hole
(D) = Drilling hole
(E) = Bolt

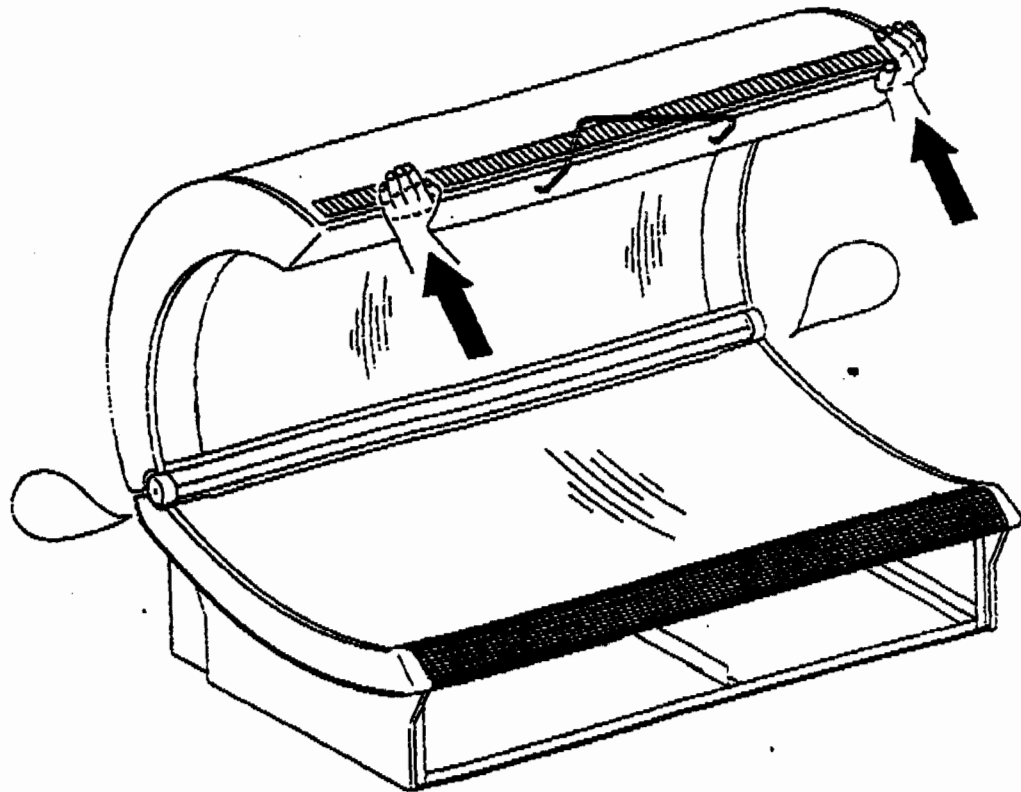




ASSEMBLY INSTRUCTIONS

Lift the top carefully until the lift system/bracket mechanism snaps and connects top and sunbed.

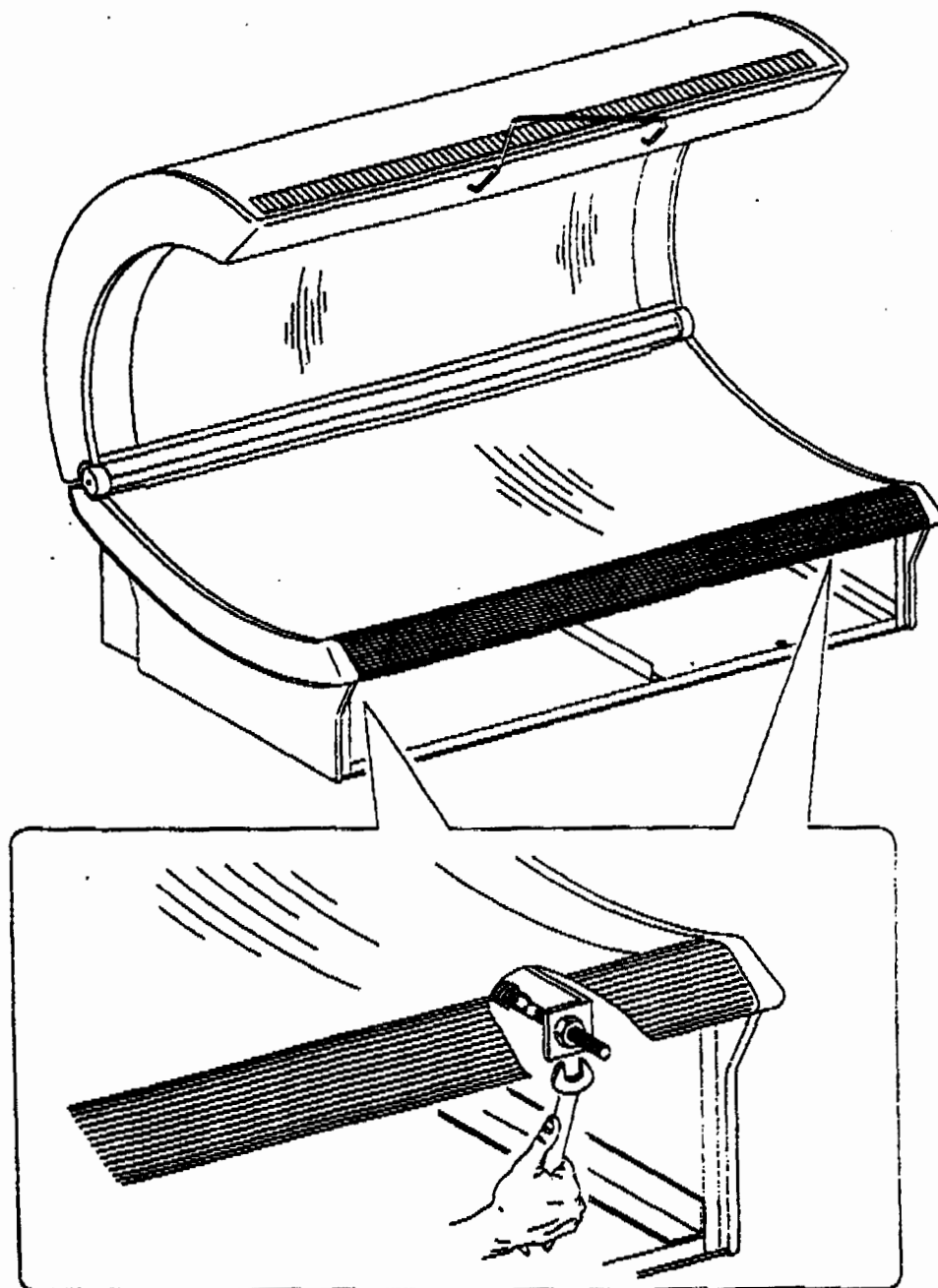
Please, make sure that the bracket system has snapped in on both sides. See figure on the following page.





ASSEMBLY INSTRUCTIONS

If necessary, the lift system can be adjusted by using the spring at the right and left side of the sunbed.



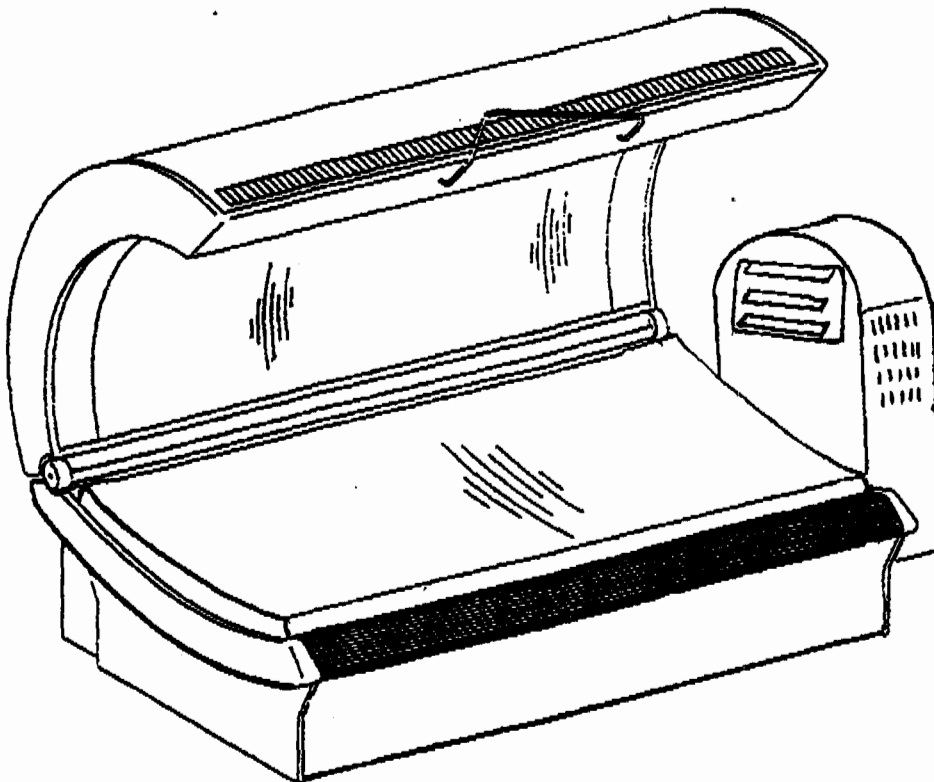


ASSEMBLY INSTRUCTIONS

Assembly of Body Fan:

First, pull cable through the provided opening in the cap so that the fan cable can later be plugged unto electrical compartment.

Then fasten fan with supplied screws. Cover screw-holes with plastic dummies.





ASSEMBLY INSTRUCTIONS

BALLAST TRAY:

See figure on the following page. Follow recommended assembly procedure, steps 1-9.

Put the wheels of the ballast tray into the groove.

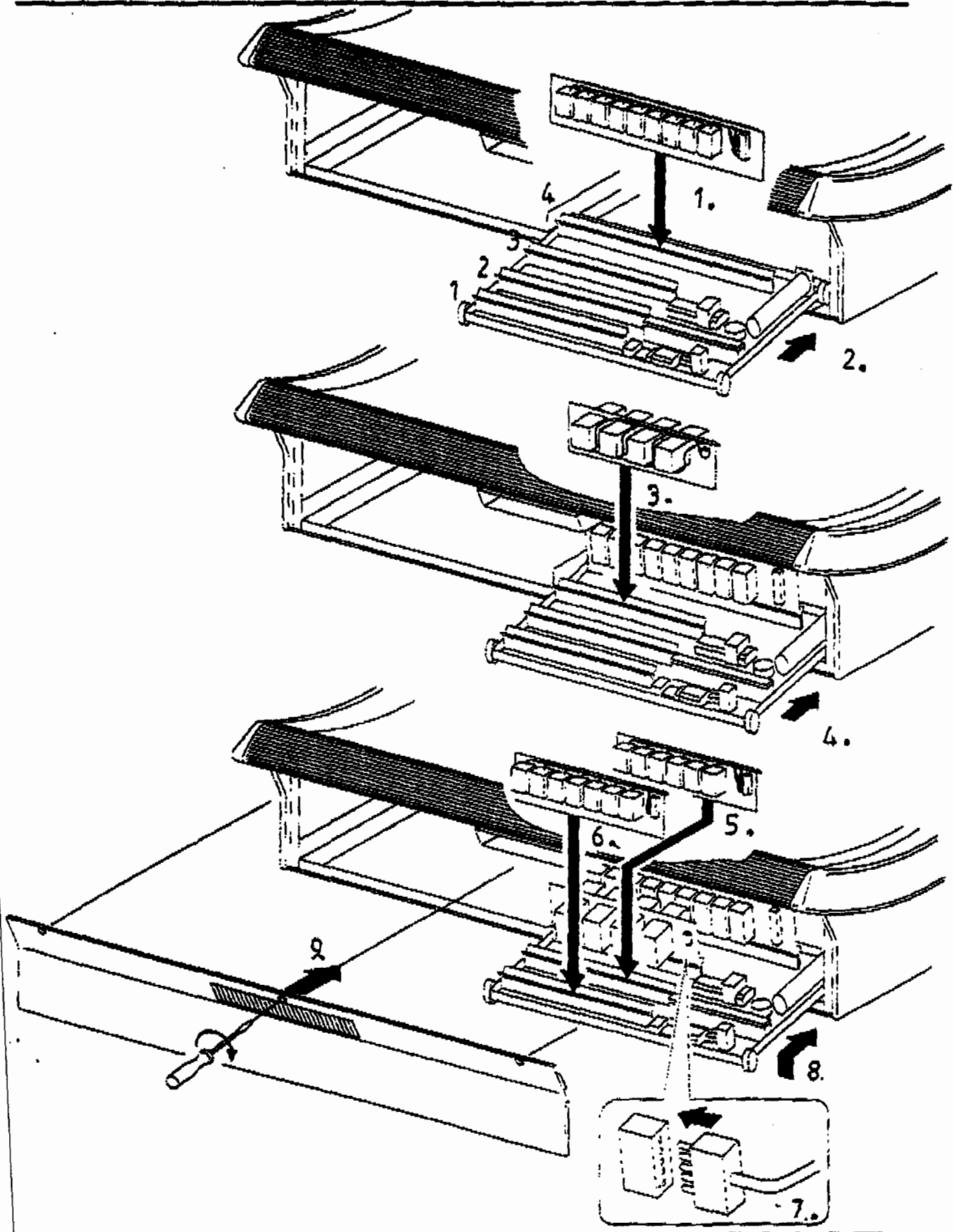
Then open Box 3, take out the pre-mounted ballasts and plug them into the corresponding grooves on the ballast tray (nos. 1-4)

Start with the last row of ballasts and then proceed to row 3, 2, and 1. While plugging in the ballasts, the ballast tray can be pushed in - step by step.

Connect plug-in connections. Take care that corresponding numbers are connected.



ASSEMBLY INSTRUCTIONS





OPERATIONAL INSTRUCTIONS

When all assembly procedures have been performed according to these instructions, the machine is ready for operation.

NOTE:

This solarium is provided with a closed air system. Therefore, take care that before starting the machine

- the air ducts
- the acrylics in top and sunbed

are properly installed and closed since the HID-facials could get overheated if the air system is defective.

In order to ensure that the front cover plate is fastened when the machine is operated, this device is equipped with a safety switch. If the front cover plate is not properly closed or removed the machine doesn't start (or switches off automatically).

Exhaust Air system: Please confer separate leaflet provided with this manual.



OPERATIONAL INSTRUCTIONS

OPERATIONAL INSTRUCTIONS:

This device can be operated by any 24V control system, optionally, with timer, coin-box, remote start by coin-box or computer system.

For electrical connections and operational modes please confer to the instructions provided with these control systems.

As a standard the device is equipped with a digital timer. Timer is set according to maximum exposure time listed on the label. Pressing the green start button starts the machine. Pushing the red stop button stops the machine immediately, regardless of time set.

EMERGENCY STOP BUTTON:

Pressing the red emergency stop button at the inner left-hand-side of the sunbed stops the machine immediately. Before the machine can be started again, this button has to be unlocked again.

BODY FAN:

Intensity of body cooling can be individually selected by choosing either step 1 or 2. Air flow is manually adjustable.



REPLACEMENT OF HID-LAMPS

HID LAMPS:

MAKE SURE THAT THE SOLARIUM IS PLUGGED OFF!

First, remove top acrylics.

Take off the mask and loosen quick fasteners. Tilt the frame carefully and loosen plug connection. After that the whole cassette can be removed.

Loosen the two bars at the side and take out the filters (blue and clear filters) and put them aside.

Loosen connection of HID-lamps to ignitors at terminal N and L_A.

Take the lamps out and replace by lamps of the same type.

Clean the reflectors and the filters and perform re-assembly in reverse order.

Take care that you don't touch the lamps with bare fingers. If it should happen, clean lamps with alcohol immediately. Burnt-in finger-prints can't be removed.

DON'T USE THIS DEVICE WITHOUT FILTERS OR WITH DEFECTIVE FILTERS:



BASIC TROUBLESHOOTING

● **ENTIRE SYSTEM NOT OPERATING (NO POWER)**

Procedure:

1. Check your A.C. connection (power outlet)
2. Check your circuit breaker
3. Check your power line fuse

NOTE: Before removing, unplug unit from wall!

● **UV-A LAMP DOES NOT LIGHT**

Procedure:

1. Replace lamp (reinstall old lamp if no change)
2. Replace starter.

If the above doesn't help, the ballasts should be replaced, but before doing that, make sure all wires in both desks are secured.



BASIC TROUBLESHOOTING

● UY-A LIGHT FLICKERS ON AND OFF

Procedure:

1. Check quartz light
2. Check ignitor
3. Check wiring connection
4. Check ballast (choke)

MOTORIZED SUNBEDS:

● LIFT SYSTEM DOES NOT OPERATE

Procedure:

1. Check micro-switches
2. Check motor micro-switch connections



DEALING WITH PROBLEMS

DEALING WITH PROBLEMS

In case the solarium should not work properly or is indeed defective, please observe the following instructions:

- Only authorised and well qualified personnel should perform service work.
- In any case, the solarium must be unplugged.

IF ONE OR MORE TUBES DO NOT WORK:

Please, check

- Is the tube properly installed and turned 90° ?

If the tube still does not work, you may try the following:

- Take out the tube and install another one which is known to work.

If the new tube is working, it may be concluded that the first tube is indeed defective.

- When exchanging the tube, take care that the pins in the middle of the socket are in place.

If the tube still does not work, the starter should be replaced.

- The starters are at the foot-end of the sunbed and at the foot-end of the canopy underneath the plexiglass.

Regular checks:

Every 2000 uses or at least every 24 months, whichever occurs first, the solarium should be checked for electrical and mechanical safety. This should be performed by an authorised specialist to make sure that the solarium is in peak condition and achieves optimum tanning effects.

For daily care and maintenance, please read the section SERVICE AND MAINTENANCE in this manual.



Replacement of tubes

● The tubes are specifically designed for tanning purposes. They may not be replaced by tubes of just any kind. Replace tubes and quartz light only as recommended by manufacturer. In case of doubt, please call Q.D.M: Company, San Francisco.

Breaking-in time and life of tubes:

● At the start tubes may slightly differ in colour and may have black spots at the end. These blemishes, however, disappear after a short period of time.



SERVICE AND MAINTENANCE

General Service:

Make the solarium tanning efficient - your profits depend on it!

Tubes:

1. Order tubes every 500 hours.
2. Change tubes on a regular basis.
3. Order compliant tubes from your local distributor.
4. Allow for 3 - 4 weeks delivery.

Quartz lights:

1. Change quartz lights every time the tubes are changed.

Plexiglas:

1. Plexiglass should be changed every 4th tube change.
2. If plexi is scratched or damaged it should be replaced immediately.
3. Minor scratches can be polished out with toothpaste and damp cloth.

Fuses:

1. Replace fuses with same amperage fuse only!

Starters:

Starters need not to be changed on a consistent basis. Starters should be kept in stock. Do not substitute your starters with just any kind as they can cause electrical problems.

General Maintenance:

For electrical safety and to prolong the life of your solarium follow the procedures below.

1. Keep the fans absolutely free from dust.
2. Keep reflectors and tubes free of dust, hair, and lint.
3. Keep both sides of plexiglass clean.
4. Keep painted areas of unit clean and shiny.

Electrical safety:

The sunbed must be disconnected from the main power supply before removing plexiglass. Great care must be taken to see that no water or solution enters the lamp compartment.



SERVICE AND MAINTENANCE

Cleaning:

Supply a spray bottle and paper towels next to the sunbed. After each session, spray the plexi with solution and wipe clean with paper towels. Pay particular attention to the contoured sides and areas where the customer's hands and armpits were to clean fingerprints and deodorant residue.

Once a week, the plexi should be removed and the underside cleaned. Spray the plexiglass with a correspondent plexiglass cleaner and wipe clean with soft paper towels. Be sure to clean the edges where the plexi meets the aluminum casing as dirt tends to collect in that ridge.

Reflectors and tubes:

The top reflector ridges and tubes should be wiped clean with a damp cloth every night, especially the area above the customer's face where people may have sneezed, coughed, or just hit their noses with the top deck.

Once a week, wipe the reflectors on the contoured sides as they collect dust. Remove the two outermost tubes on both sides of the top and lower decks. Wipe the reflectors clean with a damp cloth or vacuum the lower reflectors and wipe the top ones clean.

After 300 - 400 hours of use, or once a month, whichever comes first, the tubes should be removed and wiped clean with a damp cloth. The reflectors should be wiped clean using a soft damp cloth.

The UV-A tube should be changed after approx. 500 - 600 hours of use. When changing the tubes, be sure to clean the reflectors thoroughly using Windex and a damp cloth. Wipe off each tube with a damp cloth before installing.

When cleaning the reflectors, always wipe in the direction from the head of the sunbed to the foot, as the cooling fans blow air from the head to the foot.

A routine cleaning of the reflectors and tubes keeps your solarium operating at optimum tanning efficiency.

Disinfection:

Dilute pure alcohol with cool water in the amount recommended on the label for general disinfection. Use disinfectant once a day at the end of the day.



SERVICE AND MAINTENANCE

Dusting your plexiglass:

Your plexiglass should never be dusted with a dry cloth because this tends to generate a slight static charge which will attract more dust. Use a soft, clean cloth, slightly dampened with plexiglass cleaner. Do not let any kind of liquid containing large quantities of alcohol come into contact with the plexiglass as the surface could be damaged.

Polishing

If the surface of the plexiglass becomes scratched, it can generally be restored by careful use of a mild abrasive metal polish such as *Brasso*, applied on a soft, clean cloth. If the scratches are too deep to be removed by this method, use a fresh piece of very fine abrasive paper, such as 600 grade waterproof *Corborundum* paper (use wet!). When the surface is smooth, the gloss can be restored with metal polish. Power buffing is only recommended for professionals.

Aluminum casing

At every session, wipe off the sides and head area of the aluminum casing when you clean the plexiglass. Be sure to clean the sides of upper and lower decks in the area of the customer's shoulders and the lower deck head area.

Each morning the entire casing should be dusted with a damp cloth.

Once a week, polish the entire aluminum casing with a damp cloth and, for example, *Johnson's Jubilee Wax*. When polishing, pay particular attention to the crevices at the head and foot area of the lower deck and the ridge where the aluminum casing and plexi meet to prevent dust, hair and sweat build-up there.

The fans on both upper and lower decks must be vacuumed once a week with a canister vacuum power nozzle to keep them dust-free and operating properly. Vacuum also the floor beneath the fans.

Keep the aluminum casing and fans dust-free and shining at all times.



OMEGA

Computer #: 10.3000.1610

Selected Spare Parts:

40 2080 0018	HID Lamp Dr M 2000 US
40 2110 0006	Blue filter (Uvisol) 300 x 260
40 2110 0012	Soladur clear filter 250 x 305
40 2040 0075	Ballasts 1600W, 400V/60Cs
40 2050 0017	ignitor, 2000W
40 2120 0058	Axial fan
40 2120 0056	Radial Fan
40 2260 0526	Contacteur LC1D25004B7 24V/60Cs
40 2260 0560	Contacteur PR 1.20EP7 230V/60Cs
40 2260 0149	After cooling relay QLN 11-230, 3-10 min.
40 2030 0080	Base f. lampholder 1-2KW
40 2180 0022	lampholder 1-2KW
40 2400 0101	pillow
40 2400 0132	mattress f. Orbit- Omega
40 2100 0153	top plexi 1995 x 1049
40 2060 0292	reflector E1600 gr.

