



Sunlamp Model HP 24/21: HELIX™

US: "Future Sun HP"

Owner's Manual



Vers. 1/April 2005

Preface

This Owner's Manual will help you to operate and use the high-performance sunbed model **HELIX™** (US Tradename: "**Future Sun HP**") - in the following referred to as **HP 24** or "**the sunbed**" - in a safe and proper way.

This manual is addressed to:

- service personnel,
- authorized and skilled electrical personnel,
- qualified tanning salon personnel
- end users

Every person who

- transports,
- installs,
- connects,
- operates,
- sets the controls,
- maintains,
- cleans,
- disassembles,
- stores or
- disposes of

the HP 24 must know and understand this manual. Keep this manual in a place close to the sunbed and easily available for further use.

Features

Diverse elements in this manual show a standardized format. This way it is easier to distinguish between

standard text elements

- listings or
- ⇒ steps of action

Description

The high-performance sunlamp HP 24 is a product of the new generation of high-tech tanning equipment combining peak performance with a clear, modern design.

The new filter and reflector technology with specially designed coatings allows for an even more intense tanning performance at a reduced level of power consumption.

The wide tanning tunnel offers a comfortable tanning ambience. An intelligent layout of lamps takes advantage of overlapping radiation effects and ensures that comfortableness does not compromise on performance.

Equipped with 21 low-pressure reflector lamps in the bench and 24 high pressure lamps in the top the HP 24 delivers maximum tanning performance.

The generous tanning space guarantees a comfortable tanning session.

The body cooling at the head and foot-end in combination with the AC cooled air flowing through the bench create a pleasant and well-balanced tanning climate.

The chrome-coloured air vents at the head-end can be adjusted for best individual use.

The user friendly control panel allows for simple and easy use of controls during a tanning session. Intensity of body cooling, intensity of facial lamps etc. can be adjusted at any time.

The electronic control board also offers customized set-ups and maintenance features which can be accessed by a special code.

Table of Contents

Safety Instructions	4
Safety Instructions – Further Details	4
Obligations of the Operator/Owner.....	4
Proper Use of the Sunbed	5
Improper Use	5
Notice of Residual Risks	5
Basic Safety Instructions	6-7
Safety Instructions for Users.....	7
Safety Devices.....	7
Delivery	8
Components	8
Technical Data	9
Room Requirements.....	10
The Control Panel.....	10
Transport	11
Assembly and Electrical Connection	12
Preparatory Work at Site of Installation.....	12
Disassembly.....	12-15
Assembly	15-21
First Start-IUp.....	21
Set up of Electronic Controls	21-24
Operation	25
Operation.....	25
The Emergency Stop Button.....	25
Control Set Ups - Options.....	26
The Definition of Skin Type	27
Maintenance	28
Maintenance Chart	28
Replacement of Low-pressure Lamps & Starters	29
Replacement of Top Plexi.....	30
Replacement of HID Lamps	30-31
Replacement of Filter Glasses.....	32
Replacement of Dust Filter Mats -Top.....	32
Replacement of Dust Filter Mats -Sunbed	32
Replacement of Design Backlights	32-33
Cleaning	34
Disassembly	34
Storage	35
Re-Use	35
Trouble Shooting	35
Error Codes	36
Malfunctions during Operation.....	36
Disposal	36
Contact to Manufacturer	37
Declaration of Conformity	37
Standards	37
Warranty	38

Safety Instructions

In this chapter you will find information on the proper and improper use of the sunbed, obligations of the operator, residual risks and general and specific dangers.

Read this chapter carefully prior to first operating the sunbed.

Always follow these safety instructions.


The operator is obliged to make sure that all safety instructions are known, understood, and strictly observed.


If you sell or in any other way dispose of this sunbed, include this Owner's Manual with the shipment.

- ❗ Please send the name, address, phone or fax number of the new owner immediately to Advanced UV Light or its authorized local/national distributor so that we can provide up-dates about important or unexpected safety actions to the new owner.

Safety Instructions – further details

In this manual you find the following categories of safety instructions and notices.

	DANGER! Notices containing the word "DANGER" refer to a dangerous situation which can result in fatal or dangerous injuries.
---	--

	CAUTION! Notices containing the word CAUTION refer to a dangerous situation which can result in light injuries or damage to goods and property.
---	---

	ATTENTION! Notices containing the word ATTENTION refer to a situation which can result in damage to goods or damage to the environment.
---	---

- ❗ These hints contain information on the use of the sunbed.

Obligations of the Operator

Advanced UV Light is not responsible for damages caused by improper use of the sunbed or disregard of the instructions provided in this manual.

- The operator of this sunbed must ensure that only skilled and authorized personnel assembles this sunbed ready for use and operates, maintains, and cleans this sunbed.
- The operator must make this manual available to the staff performing transport and assembly work, and/or performing operation, maintenance and cleaning jobs. Operator must also provide information on all applicable standards and regulations for the prevention of accidents at the workplace and provisions for a safe working environment. Operator must ensure that all safety instructions are strictly observed.
- Prior to any use of the sunbed, the operator, or a person authorized by the operator, must ensure that
 - the proper use and operation of the sunbed is guaranteed and
 - all safety standards are observed.

Proper Use of the Sunbed

Only adult human beings whose skin is suitable for cosmetic tanning are allowed to use this sunbed.

The following persons suffering from one or more of the symptoms described below are **not** allowed to use a sunbed:

- increased sensitivity to UV -light
- allergic reactions caused by UV-light exposure
- skin diseases with contraindication of cosmetic tanning
- coronary and circulatory diseases
- symptoms of disease or
- any other unidentified health problems or
- persons with pace-makers or
- under medication or using medication which may have adverse effects in combination with UV-light exposure.

The recommended exposure times must always be observed. See recommended exposure schedules in this manual – or, for export units – in a separate attachment.

Use sunbed only with protective eye-wear.

This sunbed is designed exclusively for use in commercial tanning salons, fitness centers and beauty salons subject to the supervision and control of specially trained operational staff.

The proper use of the sunbed includes to consider with due diligence all the information provided in this manual and – in particular – to observe all safety instructions.

Every other use of the sunbed is regarded as improper and unsuitable use of the sunbed and may result in damage to goods or property or eventually to serious personal harm. Advanced UV Light GmbH is not responsible for damages or injuries due to improper use.

Improper Use

The use of this sunbed

- by children
 - by persons suffering from diseases
 - by persons disregarding recommended exposure times
 - by persons not wearing protective eye-wear
- are improper uses of the sunbed and may cause personal injuries.

Advanced UV Light GmbH is not responsible for injuries due to improper use.

Notice of Residual Risks

This sunbed is designed according to state-of-the-art standards and acknowledged safety regulations as well as all relevant technical standards to make due provisions for eventual dangers.

The construction is designed to prevent potential dangers or to make due provisions for eventual dangers.

Despite of these provisions there still remain residual risks when using this sunbed. Eventual dangers for persons as well as goods and property can be caused by

- operation of the sunbed in an improper way,
- use of the sunbed in an improper way, or
- transport of the sunbed in an improper way, the start-up/turn-off of the sunbed in an improper way, maintenance or cleaning in an improper way.

Basic Safety Instructions

- Observe all Safety Instructions attached to the sunbed and provided in this manual.
- Only authorized and skilled personnel is allowed to transport, assemble, start-up and disassemble the sunbed.
- Service personnel of Advanced UV Light GmbH and its authorized distributors' are considered as trained staff with the necessary expertise. This also includes skilled electrical personnel who due to their training and practical expertise provide appropriate handling and service and who are aware of potential dangers.
- Avoid any use or handling that may incur certain risks.
- Transportation, disassembly, assembly, maintenance and cleaning (i.e. of low-pressure lamps) must only be performed after the unit has completely cooled down.

Electrical Connection

- Operation of the sunbed is only allowed if the unit is connected and secured on the site of installation in compliance with the technical requirements stated on the type label and in accordance with local electrical standards.
- Operation of the sunbed is only allowed, if a mains disconnection switch, FI-Safety switch and a 30 minute automatic cut-off safety device is installed at the site.
- Make sure that liquids (i.e. cleaning solution) do not get into the sunbed. Stop the mains supply immediately by activating mains disconnection switch and secure it with lock and key in case any liquids have entered into the sunbed.
- Prior to performing any jobs on the sunbed , e.g. transport, assembly, disassembly, maintenance and cleaning, the mains supply must be switched off. In addition, the mains disconnection switch must be secured with lock and key against unauthorized or accidental turn on.

Safety Provisions

- Use the sunbed only when in fault-free technical condition All protection and safety devices must be assembled and in working condition.
- Run the sunbed only with installed front cover plate.
- All DANGER-labels and notices must be immediately replaced when damaged.
- Do not use the sunbed with defective filter(s) and/ or defective timer.

Suitable Site of Installation

- Do not instal the sunbed in damp rooms or in rooms where there is a risk of explosions.
- Do not keep or store any containers with explosive material, e. g. spray cans, close to the sunbed.
- Smoking and open flames are prohibited within proximity of the sunbed.
- Do not exposure materials that may suffer damage from UV light exposure to the UV-rays emitted from this sunbed.

Operation

- Prior to operation of the sunbed, check if the sunbed is correctly connected and set-up and that all safety provisions are in place, e. g.:
 - Plexi of the sunbed
 - Plexi of the top canopy
 - Facial filters
 - Ventilation (air entry and outlet)
- In order to avoid potential thermal damage, do not cover or block ventilation (e.g. air entry) or cooling devices.
- Before and after each use, check the sunbed for obvious outer damage or defects and take care to have eventual damages or defects repaired immediately.
- Defects which may affect the safe operation of the sunbed must be communicated immediately to the responsible person in charge on the owner/operator's behalf. Discontinue the use of the sunbed until all of these defects have been removed.

Transport

- All devices used for transport of the sunbed or its components must be suitable for the weight of the sunbed or its components.
- All valid standards and regulation to prevent accidents at the work-place must be observed.
- All paths of transport must be blocked to unauthorized trespass and clearly marked to prevent injuries caused by transport vehicles or the load.

Cleaning

- Clean and disinfect the sunbed prior to each use. Remove rests of sanitary foils or other substances
- Never clean the sunbed with abrasive or any aggressive cleaning materials. Do not use tools with sharp edges.

Maintenance

- All maintenance instructions and –intervals must be diligently observed
- Use only original spare parts as provided by Advanced UV Light GmbH or its authorized distributors. In any other case you need authorized service personnel to approve of these parts being in compliance with technical specifications as required by manufacturer.

Safety Instructions for Users

UV-light can cause damage to your skin and your eyes.

- Persons with very light skin, many freckles, fair to reddish hair and light eyes and nipples are not allowed to use a sunbed.
- Always wear protective eye-wear during a tanning session and close your eyes.
- Take out contact lenses prior to a tanning session.
- Remove make-up or any cosmetics several hours before taking a tanning session. Cosmetics may have unwelcome side-effects and can cause adverse skin reactions.
- Take only 1 (one) tanning session per day.
- For the first two sessions observe an interval of 48 hours.
- For the following sessions observe an interval of minimum 24 hours between tanning sessions.
- After a tanning session, do not tan in the natural sun on the same day.
- Stop exposure immediately when you notice physical symptoms or adverse skin reactions. If the symptoms do not disappear after a short time, consult your physician.
- Do not use drugs which promise to tan the skin without UV-light exposure in combination with a tanning session. The combination may increase the risk of a sunburn.
- Do not use any self-tanning creams or lotions. These products may contain ingredients which can increase the effects of UV-light exposure in an unforeseen and unwelcome way.
- Do not use any creams or lotions with a sunscreen designed for outdoor tanning. These products may contain substances which can influence the effects of artificial UV-light exposure in an unwelcome way. Use only products designed specifically for indoor tanning.
- Immoderate tanning results in overexposure. If skin shows signs of blisters or irritation, consult physician immediately.
- The unprotected eye can catch conjunctivitis and in some cases overexposure can seriously

damage the retina. Repeated exposures increase the risk of cataracts.

Safety Devices

Emergency Stop Button

In case of danger all high- and low-pressure lamps can be switched off immediately by pushing the Emergency Stop Button. The main ventilation will switch off after a short delay time.

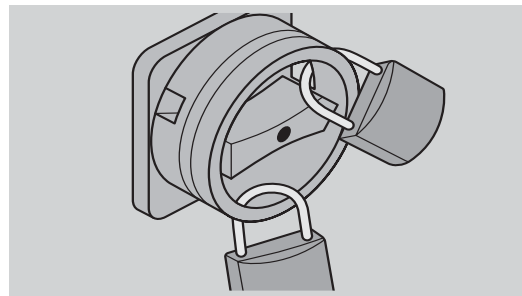


⇒ In case of danger, push the Emergency Stop Button.

High- and low-pressure lamps will switch off.

Mains Disconnection Switch

The mains disconnection switch must be installed at the site. During breaks of operation and after hours the mains supply must be disconnected by the mains disconnection switch. The switch must be secured with lock and key against unauthorized re-connection.



⇒ If you want to disconnect the mains supply, turn the mains disconnection switch into position „O“.

The mains supply is disconnected,

⇒ Put the lock into the opening of the switch.

⇒ Fasten the lock.

⇒ If you want to reconnect the mains supply, remove the lock.

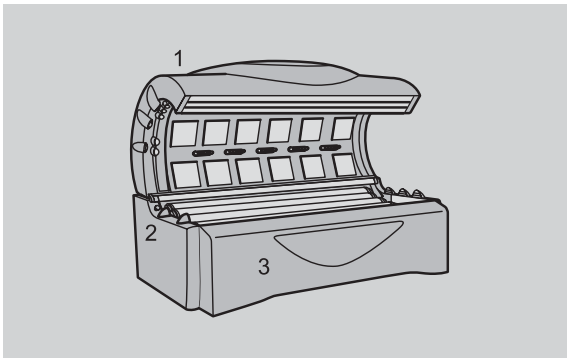
⇒ Turn the mains disconnection switch into position “I”.

Delivery

On delivery you will receive 1 box fixed to a wooden pallet and 3 additional boxes. All pieces show markings detailing the contents of the boxes.

- ⇒ Check boxes immediately for signs of any transport damages.
- ⇒ Inform forwarder immediately if you notice any relevant and obvious damages.

Components



1	Top Canopy
2	Sunbed
3	Front Cover Plate (in a separate box)
	2 Exhaust Air Stacks , disassembled (in separate box) not shown

Technical Data

i Please see also technical data on the type label. For Northamerican equipment and other overseas export units see separate data sheets enclosed as an **Attachment** to this manual

Dimensions	Depth	1610 mm
	Length	2295 mm
	Height (top closed)	1445 mm
	Height (top open)	1690 mm
	Entry level	600 mm
Weight	Unit, cpl. without AC unit	ca. 450 kg
	Sunbed	ca. 150 kg
	Top	ca. 150 kg
	Ballast Tray	ca. 150 kg
Configuration (Standard Version)	24-21	20 x High-pressure lamps Dr Müller 300-500W E
		4 x High-pressure lamps Dr.Müller 650W E
		21 x 180 cm Low-pressure lamps
Room ventilation and exhaust air	Required access to open air	300 mm x 300 mm
	Exhaust air volume	5000 m ³ /h
	Main exhaust air stack	2 x diameter 300 mm, length max. 4 m
Electrical connection (only for EU-Standard Versions)	Operational Voltage	400 V / 50 Hz / 3 ph NPE
	Configuration – Model	24-21
	Total Wattage (w/o AC)	ca. 18000 W
	Fusage on site	3 x 50 A
	Required wire gauge on the site Flex. Wire Europa HO5VV-F	5 x 10 mm ²
	FI-Switch on site	3 x 63 A

Room Requirements


Required space for operation and maintenance	min. 2,5 x 2,5 m
Floor, level, load capacity	min. 1,8 kN/m ²
Ambient temperature	+10 °C bis +30 °C
Relative humidity	max. 65%

The Control Panel



1	Tanning Session Start / Stopp	
2	AC unit On / OFF	
3	Display	
	0000	Stand-by
	Time – (counting upwards)	Display of tanning time
	FAN	After cooling time
	Information for Service Personnel	
	Error code	Helps to locate errors and malfunctions (see page 36)
4	Body cooling fan top + and –	
5	Body cooling fan sunbed + and –	
6	Facials + and –	


Transport



DANGER
Transport of the unit must be performed by authorized and skilled personnel.

The unit is delivered preassembled and fixed to a pallet. After delivery

- Check immediately if delivery is complete and if there are any signs of transport damage.
- If you notice any transport damage, please inform forwarder immediately.
- Remove packing material in compliance with applicable environmental standards.




WARNING
Moveable Load!
Risks of injuries by moving load or transport vehicles. Block and mark all transport paths to prevent personal injuries caused by transport vehicles or the load.



WARNING
Risk of Falling or Slipping!
Due to its great weight, the components of the sunbed can cause serious bruises when falling down or slipping.
Wear safety shoes!

Transport with a fork-lift

- ⇒ If the sunbed is mounted to a pallet, drive the forks carefully into the pallet openings.
- ⇒ Two persons lift the separate boxes onto the forks for further transport.



Warning
Toppling Load!
The heavy load can cause personal injuries or other damages when toppling down. Tilt the lift forks slightly backwards to prevent the load from toppling down.

- ⇒ Lift the load with the fork lift only for a few centimeters.

- ⇒ Drive the load carefully to the place of installation.

Transport with a trolley

- ⇒ 4 persons lift a single box onto the trolley.
- ⇒ Roll the box carefully to the place of installation.
- ⇒ Four persons carefully lift the box from the trolley.
- ⇒ Repeat the same procedure for all remaining boxes.

Assembly and electrical Connection



WARNING FAULTY ASSEMBLY!

Incorrectly performed assembly and connection work can result in serious damages and fatal injuries. Only service technicians and skilled electrical personnel are allowed to perform assembly work and electrical connection.

Four (4) persons are needed to perform the assembly job.

For assembly of the sunbed, you need the following tools.

- Allan key, 6 mm
- Screwdriver - philips
- Screwdriver - slot

Preparatory work at the site of installation



Caution Heavy Load!

Overstraining when carrying the heavy sunbed components can cause serious damages to your health. Always carry the heavy components of the sunbed with four (4) persons.

- ⇒ Bring the unit with the pallet to the place of installation.
- ⓘ Initially, position the sunbed in such a way that there is enough space for necessary assembly work at the rear
- ⇒ Check if shipment is complete.

Disassembly



Attention!

Some components may easily get scratched. Do not kick against components. Do not damage or scratch surfaces, e.g. with assembly tools.

- ⓘ In order to remove the unit from the wooden pallet, the unit must be disassembled and carried to the site of installation. For disassembly and transport of single components four (4) persons are necessary.

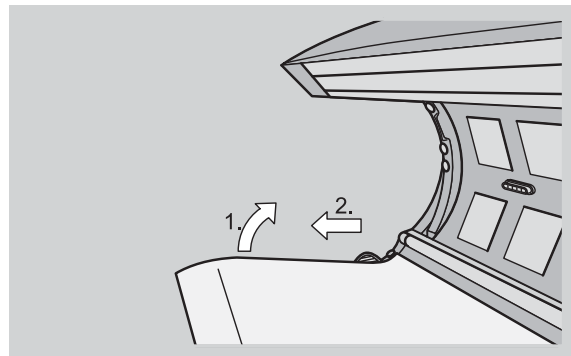
Removal of packing material

- ⇒ To remove the wood-cardboard packing take off the top lid and the cardboard walls and finally the wooden boards.
- ⇒ Remove the styrofoam between sunbed and top canopy.
- ⇒ Leave the unit on the pallet for a while.



Removal of Sunbed Plexi

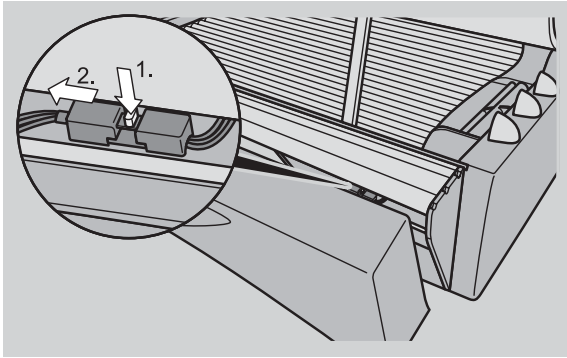
- ⇒ Lift the top.
- ⇒ Pull out the sunbed plexi with 2 persons for approx. 10 cm and then pull carefully forward.



Remove Front Cover Plate

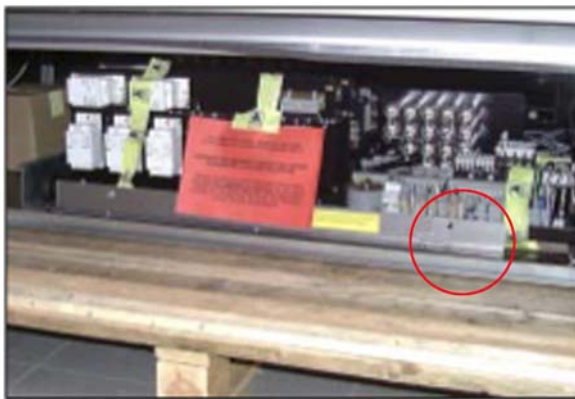
If the front cover plate is already shipped with the AC-plexi in a separate box, skip these instructions and continue with transport brackets.

- ⇒ Lift the front cover plate – 2 Persons.
- ⇒ Remove the plug for the front cover backlights.
- ⇒ To remove the plug, push the button between the plug and the plug terminal downwards and take plug out of plug-terminal.



Removal of transport brackets

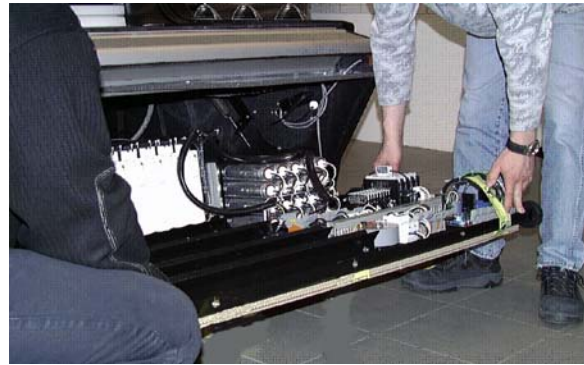
- ⇒ Unscrew the bracket which fixes the unit to the pallet (transport bracket).



- ⇒ Pull out the ballast tray for approx. 30 cm.
- ⇒ Pull of the terminals at the ballast segments.
- ⇒ Unscrew the four segments and lift them out.



- ⇒ Take out the ballast tray.
- ⇒ Take out the box with accessories and store at a safe place for further use.



Remove the AC plexi

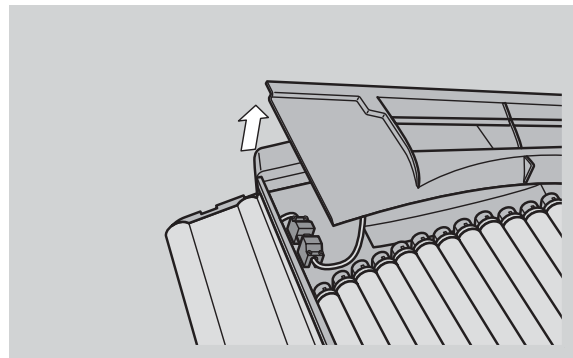
- ⇒ Two persons lift the AC plexi out of the sunbed.
- ⇒ Store the AC-plexi on soft padding material.



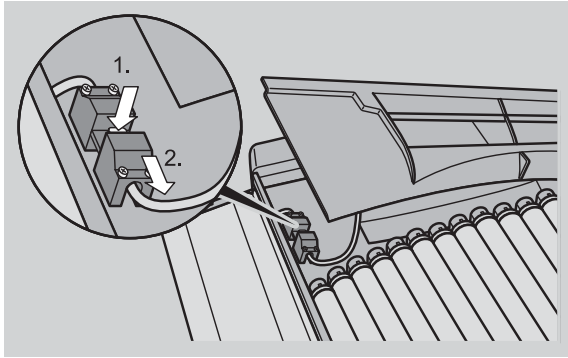
Remove lamp covers at head- and footend of the unit.

There are lamp covers at the top and footend of the unit.

- ⇒ In order to remove the lamp cover at the head-end, lift up the lamp cover.



- ⇒ Remove the plug which connects to the sunbed plexi safety switch.
- ⇒ In order to loosen the plug, push the button between the plug and plug terminal downward and pull plug out of the terminal.



⇒ The lamp cover at the footend is not connected to a plug. Just take out the lamp cover.

Removal of air vents

At the headend of the sunbed, there are two air vents. At the footend of the sunbed there are three air vents.

⇒ In order to disassemble the air vents at the head- and footend, take a screwdriver and loosen the screws.

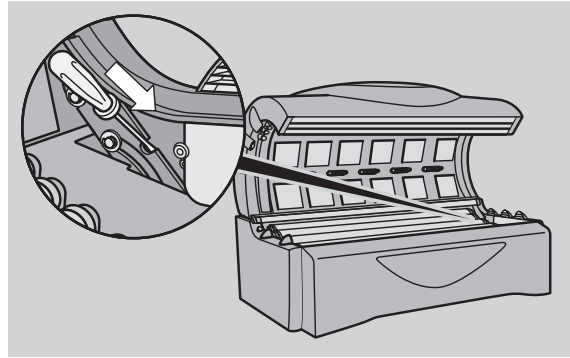


Disassembly of Top Canopy




CAUTION
RISK OF BRUISES!
There is a risk of hand bruises when disassembling the top.
When lifting the top, do not hold on to the hinge bolts

- ⇒ Disassemble the top canopy from the sunbed.
- ⇒ At the head and footend, set a screwdriver into the notch at the front lift arm and the rear hinge bracket.



⇒ Lever the screwdriver and lift the ball-bearings out of the fork



Attention!
Take care that you do not scratch the surface of the top canopy. Put some Styrofoam on the sunbed prior to slowly letting the top down on the sunbed.

⇒ Close the top canopy carefully.

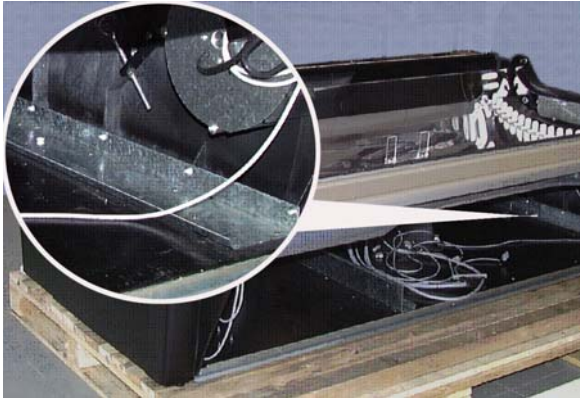


Attention!
When carrying the top take care of loose wire connections which may catch your step and cause you to slip.

- ⇒ Four persons tilt the top slightly forward and take it off the sunbed. The person at the rear foot-end also pulls the wire connections from the top out of the sunbed.
- ⇒ Secure the wires and fasten.
- ⇒ Let the top canopy rest on some soft and even padding material.

Disassemble sunbed from pallet

- ⇒ Loosen the hexagonal screws at the right and left angle on the metal groundplate. The female screws are on the reverse side of the pallet.



- ⇒ Four persons lift the sunbed from the pallet.
- ⇒ Turn the sunbed by 90°.
- ⇒ Put the sunbed on a padded trolley or some other suitable transport device.
- ⇒ Move the sunbed to the site of installation..


Assembly

Preparing for electrical connection



WARNING!

The electrical connection has to be performed by a certified electrician according to EN 60204-1/VDE 0113 and applicable EVU-Standard – or for export units - according to all applicable local/national electrical standards at the site of installation!



WARNING!

The mains supply system on the site must be protected by a FI-protective switch and a mains disconnection switch installed on the site as specified in the technical data sheet.




WARNING!

Check if the local supply system complies with the data on the type label at the rear side of the sunbed. If the supply data differ from the data on the type label **DO NOT CONNECT AND OPERATE THE SUNBED!**

- ⇒ Bring the sunbed close to the actual place of installation
- ⓘ Position the sunbed in such a way that the rear side of the sunbed is still accessible for the electrical installation, the feeding of the supply wires and the assembly of the exhaust air stacks.
- ⇒ Feed in the supply cable for the AC-unit through the cable entry stud (1) at the rear side of the sunbed.
- ⇒ Feed in the supply cable of the time control device through the cable entry stud (2) at the rear side of the sunbed
- ⇒ Feed in the mains supply at the cable entry stud (3) at the rear side of the sunbed.



- ⇒ Push enough cable through the cable entry to be able to connect to the terminals on the ballast tray.
- ⇒ Push all the screwed glands clock-wise until all cables sit fast and tight .
- ⇒ Lay out cables in such a way that there is not risk of tripping and slipping.



WARNING!
The unit must be grounded, else there is a risk of electrostatic load. When touching the unit or when standing very close to it there is a risk of an electric shock.




WARNING!
The first start-up of the unit must be performed by an authorized service technician.



WARNING!
Before you continue with the assembly job, make sure that the unit is secured against unauthorized activation.

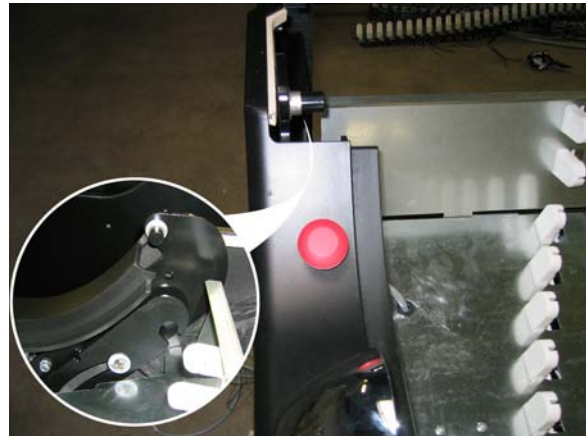
- ⇒ Push the mains disconnection switch into position „O“.
- ⇒ Put the lock into the opening of the switch.
- ⇒ Fasten the lock.

Sunbed assembly



Caution
Risk of Bruises!
When assembling the top canopy, there is a risk of bruising your hands. Do not hold on to the hinges when lifting the top.

- ⇒ Push the ball bearings at the head- and footend into the extreme outward position.



- ⇒ Four (4) persons lift the top canopy.
- ⇒ Watch out for the connection cables and carry them with you to feed them into the sunbed.
- ⇒ Let the top canopy rest in level position on the ball bearings.



- ⇒ Push the top canopy carefully backwards, until you hear the bearings at the head and footend “click” in.

Assembly of Exhaust Air Stacks

At the rear side of the sunbed there are two (2) air outlets (1 and 2). On these outlets you install the exhaust air stacks. The air stacks are packed into a separate box and contains the following parts

- Two bottom parts
- Two top parts
- A plastic bag with metal screws



- ⇒ Open the box and remove box and loose packing material.
- ⇒ Put the bottom part of the exhaust air stack onto the air outlet.
- ⇒ Fix the bottom parts (2) of the exhaust air stack with 6 screws onto the air outlet (1) of the sunbed.



- ⇒ Put the top part of the exhaust air stack onto the fixed bottom part of the exhaust air stack
- ⇒ Fix the top part (2) with 3 screws to the bottom part (1) and with 3 screws to the rear of the top plate of the unit.



- ⇒ For assembly of the second exhaust air stack follow the same procedure.

Adjusting the unit at the site of installation

- ⇒ Move the unit to its final place of installation.

i When positioning the unit take care that there is a minimum of 5 cm distance to the wall.

In the groundplate of the unit there are 4 adjustable screws.

- ⇒ Adjust the screws in such a way that the unit is in level position.

Assembly of air vents at the Top Canopy

At the headend of the top canopy there are three air vents. The air vents consist of the following components:

- three air vents
- three adjustable air nozzles
- three threaded bolts
- three screws

⇒ Screw the bolts into the top canopy



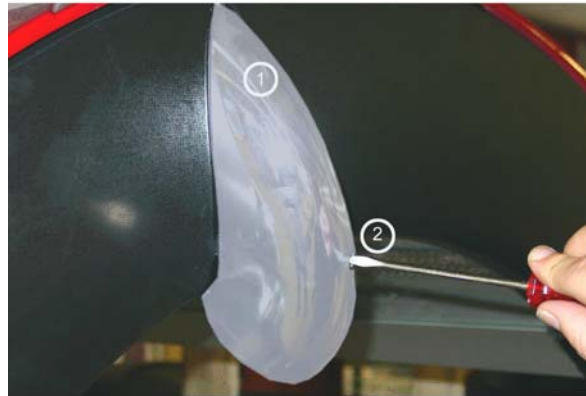
⇒ Put the air nozzle (2) into the air vent (1).



⇒ Put the air vent (1) over the threaded bolt (2) into the top canopy.



⇒ Screw the air vent (1) with the screw (2) to the top canopy.



⇒ In order to assemble the remaining two air vents, follow the same procedure.

Assembly of air vents at the Sunbed

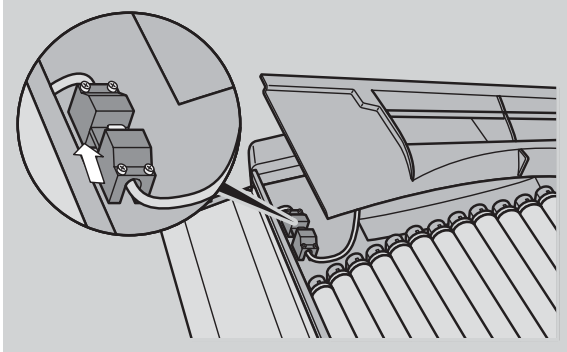
At the headend of the sunbed there are two air vents and at the footend of the sunbed there are three air vents.

Take a screwdriver and screw the air vents to the sunbed at the head- and footend.

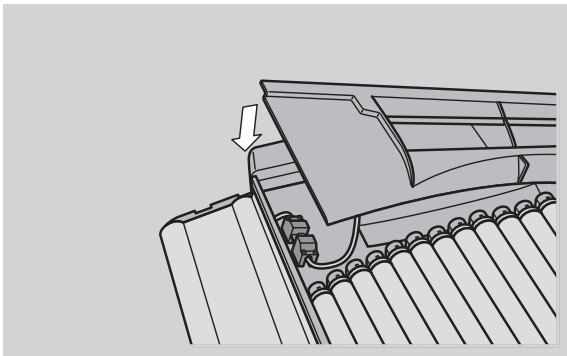


Assembly of lamp covers at the head- and footend of the sunbed

- ⇒ Take the lamp cover for the headend and put the plug for the safety switch into the plug terminal until you can hear it “click” in.



- ⇒ Fit in the lamp cover.



- ⇒ There is no plug connection for the footend lamp cover. Take the lamp cover and fit it into the footend.

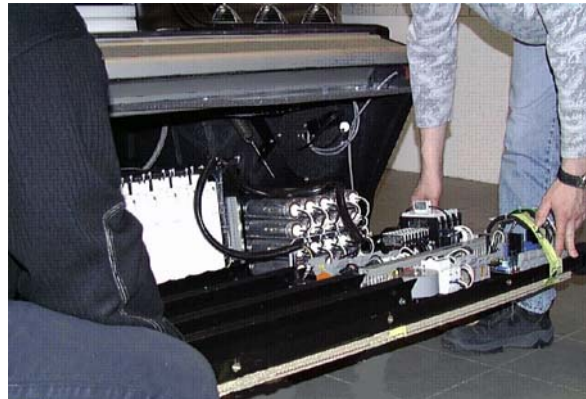
Assembly of AC plexi

- ⇒ Two persons carefully lift the AC plexi and fit it into the sunbed.



Assembly of Ballast Tray

- ⇒ Put the ballast tray for about 30 cm into the guide rail and push it into the sunbed.



- ⇒ If you have disassembled the four segments of the ballast tray, re-install and fix them.




- ⇒ Re-connect the plugs at the right hand side of the ballast segments.

Electrical Connection

WARNING!

The electrical connection must be performed by a certified electrician according to EN 60204-1/VDE 0113 and all applicable EVU-standards – for export units – in compliance with all applicable local/national electrical regulations and standards.

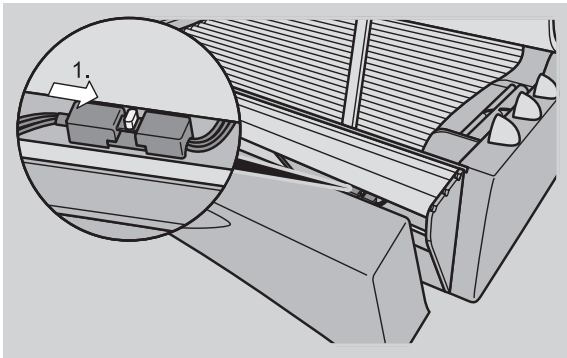
- ⇒ Connect the mains supply.
- ⇒ Connect the time control device at terminal X 20 as shown in the wiring diagram enclosed.
- ⇒ Pull the ballast tray out of the sunbed.
- ⇒ Connect terminals X 1–X 22 of top canopy and sunbed to the ballasts on the ballast tray.
- ⇒ Connect the communication cable of the control panel to the main PCB (Display).

 **WARNING!**
When moving the ballast tray, take care that wires and cables do not get pinched and damaged. In case of damage blank wires can get into contact with other metal parts of the unit and cause an electric shock.

- ⇒ Push the ballast tray into the sunbed and take care that cables and wires do not get pinched or damaged.

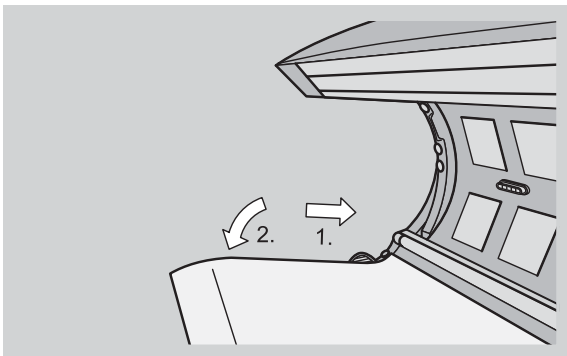
Assembly of Front Cover Plate

- ⇒ Put the plug of the front cover plate backlighting into the plug terminal until you can hear it „click“ in.



Assembly of Sunbed Plexi

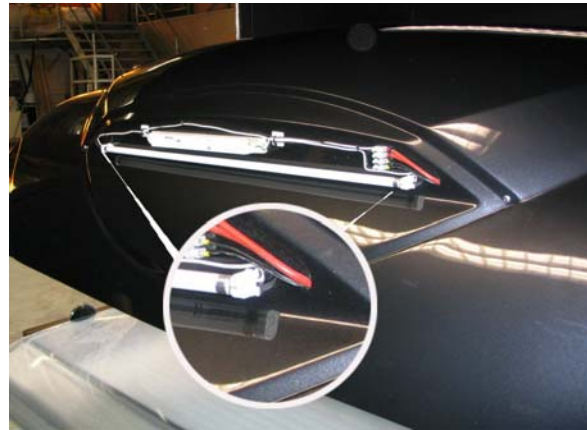
- ⇒ Two persons lift the sunbed plexi and fit it into the sunbed.



Assembly of Design Elements

At the front cover plate and at the front top canopy there are “design” elements.

- ⇒ Lower the top canopy.
- ⇒ Put in the fluorescent lamp for the backlighting.



- ⇒ Take the design element and remove packing material completely.

- ⇒ Fix the design element with the screws to the top canopy.



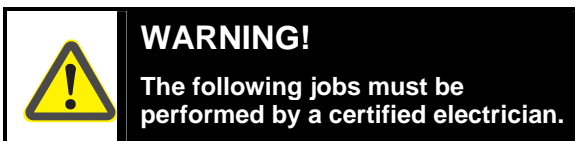
- ⇒ Loosen the screws at the design element (1) of the front cover plate (2).
- ⇒ Put in the fluorescent lamp for the backlighting.
- ⇒ Fix the design element again with screws to the front cover plate.

First Start-Up

Prior to first operating the unit, check if all safety features are installed and work properly:

- Plexi for the sunbed
- Plexi for the top canopy
- Facial filters
- Ventilation
- Fresh air supply/disposal
- Function of the Emergency Stop Button

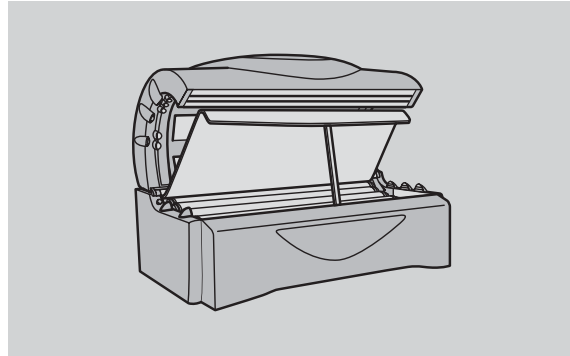
Set Up of Electronic Control



In the service mode, the total operating hours for the unit as well as the hours for the low- and high-pressure lamps can be read and set back (for lamp

operating hours only!) Customized set-ups are also performed in this mode.

- ⇒ Turn the mains disconnection switch into position „I“.
- ⇒ Push the acrylic of the sunbed upwards and secure with supplied bracket.

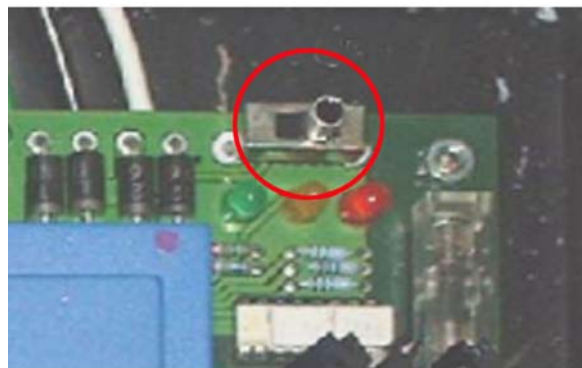


- ⇒ Remove the front cover plate of the sunbed.
- ⇒ Disconnect plug from terminal.
- ⇒ Pull out the ballast tray in order to get to the PCB.

The main PCB is on the front right hand side of the ballast tray.



- ⇒ In order to get into the program mode turn the lever switch on the PCB.



The BUS-control LED (red) starts blinking very fast - this means you are in the program mode. The display shows 0060.

In the program mode, you can select individual menu options by a combination of entries at the control panel.

Facial Switch +/-	with this switch you can select individual menu options.
Body cooling switch – sunbed +/-	With this switch you can change values by steps of ten.
Body cooling switch Top +/-	With this switch you can change values by single steps.

⇒ In order to leave the menu, turn lever switch A again.

The changes are saved.


- ⇒ Push the ballast tray back into the sunbed.
- ⇒ Reassemble the front cover plate.
- ⇒ Reconnect the plug (backlighting) to the terminal until you can hear it "click" in.
- ⇒ Lift the plexi slightly and put down the bracket .
- ⇒ Let the plexi down onto the sunbed.

Set-Up of Electronic Controls

Menu	Value	Description	Display	Pre-Set
00	60	Switch (Start-Stop) + Test Run 60 sec.	0060	–
00	60	Switch AC – Hour meter	xx xx	No re-set option
00	60	Switch (Start-Stop) – Operating hours low-pressure lamps	xx	–
00	60	Switch (Start-Stop) – > 5 sec. Re-set of low-pressure lamps operating hours	00 00	–
01	00	External control (coinbox/token etc.)	01 00	00
01	01-30	Time control in minutes via internal Timer	01 xx	00
02	–	Not assigned	02 02	02
03	–	Not assigned	03 01	01
04	00	AC-unit always OFF (deactivated)	04 00	02
04	01	AC-unit at new start OFF, then optional	04 01	02
04	02	AC-unit at new start ON, then optional	04 02	02
05	00-90	Temperature sensor for heat-recycling option	05 25	25
06	00	Showlight always OFF	06 00	98
06	99	Showlight always ON		98
06	98	Showlight always ON, when unit OFF		98
06	01-97	Showlight always ON, when unit OFF and Timer in 10-minute steps.		98
07	00-05	Start level body cooling fan sunbed (0-5)	07 03	03
08	00-05	Start level body cooling fan top (0-5)	08 03	03
09	00-03	Start level facial tanners)	09 03	03
10	00	Start button always activated	10 00	00
10	01	Start button activated when after cooling time has expired.	10 01	00

The following set-ups can only be changed by authorized service personnell!				
Menue	Value	Description	Display	Pre-Set
11	-	No function		
12	01-60	Maximum operating time (automatic safety switch-off) in minutes		30
13	00-03	Facial lamps down to level xx		00
14	00-06	Facial lamps time-out in minutes		3
15	01-03	Facial lamps ignition level at start-up		01
16	00-99	Facial lamps switch-time in steps of ms		01
17	00-50	Motor time-out in ms for controlled fans		10
18	02-05	After cooling time in minutes		05
19	02-59	Pump interval in minutes for condensation water AC		10
20	00-99	Pump interval for condens. water in sec.		20
21	00-99	Stop switch activated/not activated		01
22-26	00-99	RPM (body cooling sunbed) in single steps		
27-31	00-01	RPM (body cooling top) in single steps		

Operation

	<p>Danger UV-RADIATION!</p> <p>UV-radiation can cause serious eye injury. Always wear protective eye-wear during a tanning session and/or during test runs. UV-radiation can cause serious skin damage. Do not exceed recommended exposure times!</p>
---	--

Operation

- ⇒ Lift the top canopy upwards.
- ⇒ Lay down on the tanning surface.
- ⇒ Pull the top canopy down.

The display shows maximum exposure time.

- ⇒ Push the "Start/Stop" button.

The tanning session starts. The display shows actual tanning time.

- ⇒ If you want to interrupt the tanning session, push the „Start/Stop“button again.

The tanning session stops.

- ⇒ If you want to continue the tanning session, push the „Start/Stop“ button.

The tanning session will be resumed.

The tanning session stops after pre-set exposure time has expired.

- ⇒ Turn off the AC-unit.
- ⇒ Put the facial intensity switch and the body cooling fan back to the highest intensity level.
- ⇒ Lift the top canopy upwards and leave the tanning bed.
- ⇒ Clean and disinfect the tanning bed as described in the chapter "Cleaning".

The Emergency Stop Button

In case of danger the unit can be shut off immediately by pushing the Emergency Stop Button. All radiation sources (low-and high-pressure lamps) are stopped immediately. The main ventilation (sunbed cooling) stops with a delay time.



- ⇒ Push the Emergency Stop Button.

The sunbed shuts off immediately.

- ⇒ Push the top canopy upwards and leave the sunbed.
- ⇒ Inform the operator of the sunbed that the Emergency Stop Button has been activated.

In order to re-start the unit, the Emergency Stop Button must be unlocked.

- ⇒ Turn the red top of the Emergency Stop Button clockwise by approx. 90°.

Control Set-Ups - Options

Facials



The intensity of the facials can be increased or diminished in certain steps.

The illuminated diodes show the selected intensity level.

- ⇒ In order to select a high intensity level, push the „+“ option.
- ⇒ In order to select a diminished intensity level, push the „-“ option.
- ⇒ In order to switch off the facials, push the button at the lowest level (3 diodes blinking) and keep the button down for approx. 3 seconds.
- ⇒ In order to restart the facials, push the „+“ option.

The facials will re-start with a certain delay time. During this delay time the first diode at the facial button keeps blinking until the facials re-start.

Body Cooling Top Canopy

The direction of the cool air flow can be modified by manually adjusting the air nozzles.



The intensity of the body cooling fan is steplessly adjustable for best individual use.

The illuminated diodes show the selected intensity level.

- ⇒ In order to select a high intensity level, push the „+“option.
- ⇒ In order to select a lower intensity level, push the „-“option.

Body Cooling Sunbed



The intensity of the body cooling fan is steplessly adjustable for best individual use.

The illuminated diodes show the selected intensity level.

- ⇒ In order to select a high intensity level, push the „+“option.
- ⇒ In order to select a lower intensity level, push the „-“option.

AC Unit



The AC unit guarantees a comfortable and even temperature. When starting the sunbed, the AC-unit turns on automatically.

When the AC-unit is activated, the diode at the AC-button lights up.

- ⇒ In order to switch off the AC-unit, push the AC button.
- ⇒ In order to re-start the AC-unit, push the AC button again.

The AC unit starts with a delay time. During this delay time, the first diode at the AC button keeps blinking.

To start/stop a tanning session



The sunbed can be started manually.

You have the option to re-start or stop the unit again.

- ⇒ In order to start a tanning session, push the „Start“button.
- ⇒ In order to stop a tanning session, push the „Stop“ button.

Definition of Skin Type

In order to select your tanning program and maximum exposure time, it is necessary to define your skin type. The following list may help you to do so.

- ⓘ Persons with very light skin, many freckles, blonde or red hair and fair eyes and nipples are not allowed to use a sunbed.

	Skin Type		
	II	III	VI
Complexion	light	light/ light brown	Brown / olive
Freckles	rarely/ none	none	None
Hair Colour	fair / light brown	dark blonde/ brown	dark brown / black
Eye Colour	blue/ green / grey	grey / brown	Brown
Nipples	light	dark	Dark
Ability to tan	rarely	average	fast / deep
Sunburn – frequency	always	rarely	rarely/never
Erythema time in min. when tanning in the natural sun.	10–20	20–30	ca. 40
Max. total exposures per year.	33	43	60



**CAUTION
UV-Radiation!**

UV-radiation can cause serious skin damage. Never exceed recommended exposure times.

- ⓘ The recommended exposure times are only general rules based on achieving the maximum final tanning result for each skin type.


Recommended exposure time for model HD 24/21 – standard configuration.

For non-standard configurations or Northamerican Export units, please see separate attachment.

In minutes

Tanning session	Skin Type		
	II	III	VI
1.	3	4	6
2.	3	4	6
3.	3	4	6
4.	5	7	10
5.	5	7	10
6.	5	7	10
7.	7	10	12
8.	7	10	12
9.	7	10	12
10.	10	12	15
11.	10	12	15
12.	10	12	15
Following Sessions	12	15	18

Maintenance




DANGER
RISK OF ELECTRIC SHOCK

Always disconnect the unit from the mains supply system with the mains disconnection switch prior to any maintenance or service jobs. Secure mains disconnection switch with lock and key against unauthorized or accidental activation. Else there is a risk of electric shock.



DANGER
HOT SURFACES!


There is a risk of serious burns by hot low-and high-pressure lamps. Allow the unit to cool down prior to performing any maintenance, cleaning or service jobs.



ATTENTION!

For maintenance and service use only original spare parts as provided by Advanced UV Light GmbH or authorized distributor.

Maintenance Chart

-  Observe data on recommended useful lamp life for low- and high-pressure lamps as provided by manufacturer.

Component	Replacement
Low-pressure lamps	after maximum recommended useful lamp life has expired
High-pressure lamps	after maximum recommended useful lamp life has expired
Facial filters	as necessary (breakage)
AC-Plexi	as necessary
Plexi top canopy Plexi sunbed	as necessary, (scratches, wear and tear)

Daily maintenance inspection prior to first operation

The daily maintenance inspection includes:

- Visual examination and
- Control of basic functions

Visual examination:

Component	Check for:
Low-pressure lamps	Failure, flickering
High-pressure lamps	Failure
Facial filters	Damages, breakage
Sunbed plexi	Damages, scratches
Top canopy plexi	Damages, scratches
Air supply entries	Free access to the open
Main exhaust air hose	Free access to the open

Control of basic functions:

Component	Check for:
Emergency Stop Button	Immediate switch-off of the unit. Delayed switch off for the main ventilation.
Time control device	Correct operation
Main fan	Failure (no fan noises)
Body cooling fan(s)	Failure (no fan noises)

Annual Inspection (or every 800 hours of operation whatever occurs first)

Inspections for mechanical and technical safety of the complete unit must be performed by authorized service personnel within certain intervals. Such an inspection becomes due once a year or every 800 hours of operation – whatever occurs first.

Please contact manufacturer or authorized distributor for network of skilled service technicians to arrange for safety inspections.

Replacement of low-pressure lamps and starters

Low-pressure lamps must be replaced whenever the maximum useful lamp life as recommended by the manufacturer has expired or whenever a low-pressure lamp fails or gets damaged.

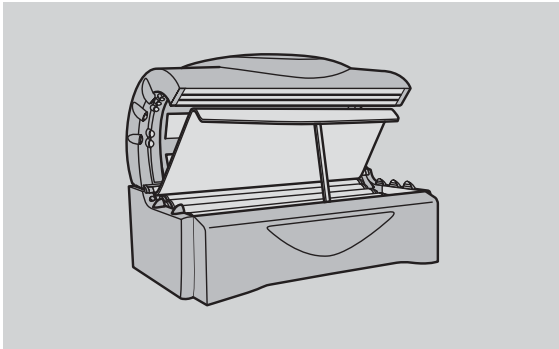
Starters need to be replaced whenever a low-pressure lamp starts flickering or a well-working lamp does not ignite.

- ⓘ Advanced UV Light recommends to replace starters with every second lamp change.

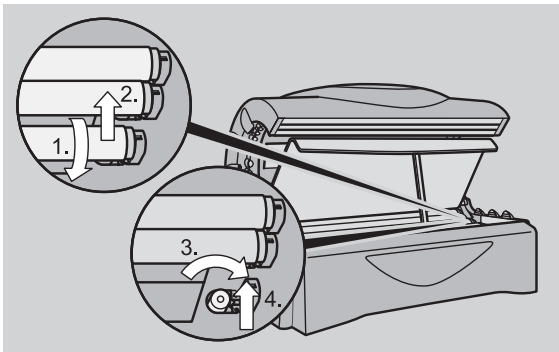
Disassembly

If you want to replace a low-pressure lamp in the sunbed, proceed as follows:

- ⇒ Lift the sunbed plexi upward and secure with bracket.



- ⇒ Take the AC-plexi out and store on soft padding material. Do not bend plexi!
- ⇒ Turn the low-pressure lamps clockwise by approx. 90°.



- ⇒ Lift the low-pressure lamp out of the lampholder.
- ⇒ Turn the starter against the clock by approx. 90°.
- ⇒ Take out the starter.

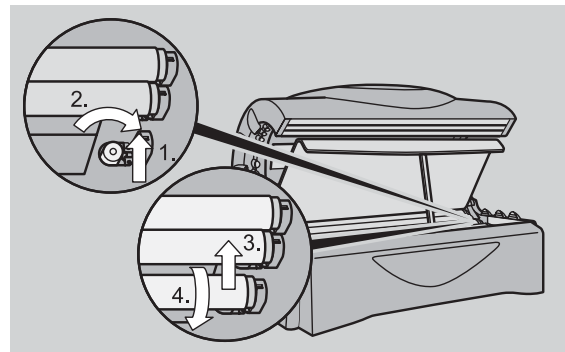
ATTENTION!

Do not dispose of lamps with regular domestic waste. All lamps must be disposed of in compliance with local or national environmental standards for hazardous waste.

- ⇒ Remove and dispose of defective or aged low-pressure lamps.

Assembly

- ⇒ Turn in the new starter clockwise by 90° into the lampholder.



- ⇒ Put the lamp into the lamp holder.
 - ⇒ Turn the lamp clockwise by 90°.
- The lamp "clicks" into the lampholder. The marking at the lampholder shows up.
- ⇒ When you have replaced the lamps in the sunbed, put the AC- plexi back into the sunbed.
 - ⇒ Push the bracket downward and let the sunbed plexi carefully down onto the sunbed.

Replacement of Top Plexi

- ⇒ Take a screwdriver and put it into the spring slot (1) at the top canopy and push the profile (2) inwards.



- ⇒ Tilt the profile open and let the plexi slowly and carefully down.



- ⇒ Protect the sunbed plexi and the top plexi by putting some styrofoam or soft padding material between top plexi and sunbed plexi.



- ⇒ 2 persons lift the top plexi from the sunbed.
- ⇒ Carefully push the frames for the air vents out of the top plexi.



- ⇒ Set the frames for the air vents into the new top plexi.
- ⇒ Reassemble the new top plexi.

Replacement of HID Quartz lamps

The HID quartz lamps in the top canopy must be replaced whenever the maximum useful lamp life as recommended by manufacturer has expired or when lamp fails or is defective.



CAUTION!
Never replace HID Quartz lamps immediately after operation of the unit. Allow the lamps to cool down completely else there is the risk of serious burns.

- ⓘ Always replace lamps with lamps as recommended by manufacturer or with compatible types. Observe technical data provided on the type label.

The top canopy contains HID Quartz lamps. Each quartz lamp is covered by a filter glass. The filter glass is held by a filter frame. Each of the eight filter frames is fixed with two quick connections.

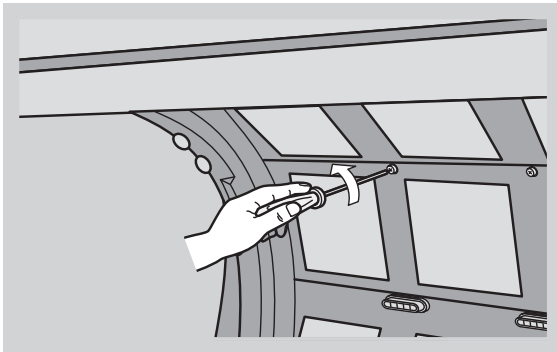
The filter frames must be disconnected in order to replace filters or lamps.

Disassembly

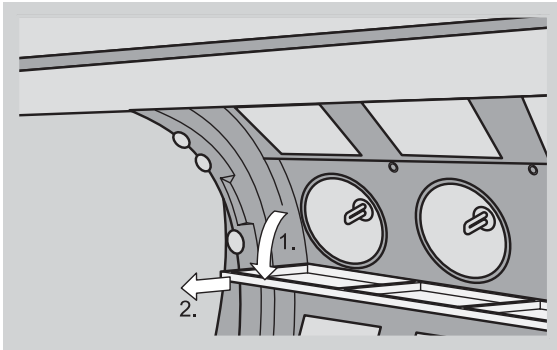


CAUTION
GLASS BREAKAGE!
 Glass breakage can cause cuts and hand injuries. It is recommended to wear protective gloves.

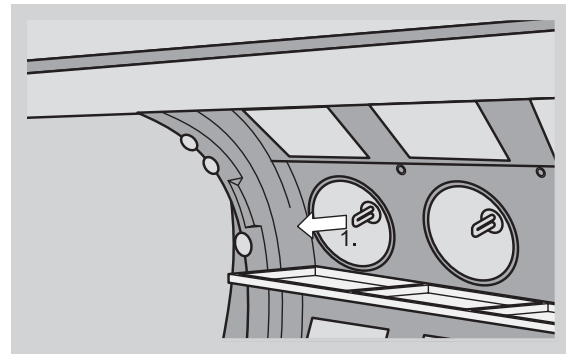
- ⇒ Make sure that the unit is completely shut off from the mains supply and secured with lock and key against unauthorized and accidental activation.
- ⇒ Remove the top plexi as described above.
- ⇒ With one hand push the filter frame upwards so that it can't fall down when you loosen the quick connection.
- ⇒ Loosen quick connection with a screw driver.



- ⇒ Tilt the filter frame downward and take it out.



- ⇒ Pull HID quartz lamp out of the lamp terminal.





ATTENTION!
 Do not dispose of HID lamps with regular domestic waste. Always dispose of lamps in compliance with local or national environmental regulations for hazardous waste.



ATTENTION!
 Do not touch the new HID quartz lamp with bare fingers. Hold lamp with soft tissue paper or dry and clean, lint-free cloth. Finger-prints and other residue can burn in and damage the lamp.

- ⇒ Put the new HID quartz lamp into the lamp terminal.

i The contact pins of the HID quartz lamp are of different sizes. When re-assembling the lamp, do observe correct position and fit of contact pins.

Assembly

- ⇒ Put the latches of the filter frame into the openings at the top canopy.
- ⇒ Tilt the filter frame upward and hold fast with one hand to prevent it from falling down.
- ⇒ Take a screw driver and fix the filter frame to the top canopy with the quick connection.
- ⇒ Re-assemble top plexi as described above.

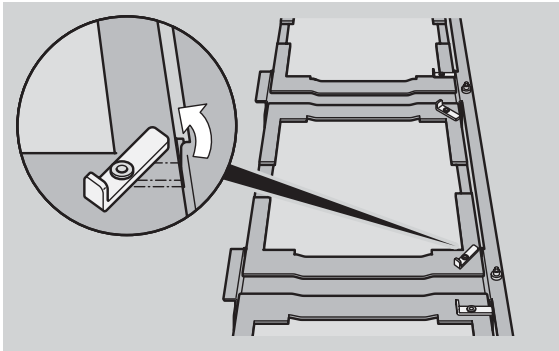
Replacement of filter glasses

The filter glasses must be replaced whenever there are any sign of breakage or scratches.

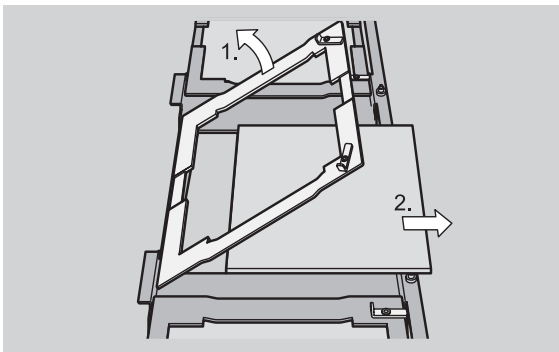
Disassembly



- ⇒ Disassemble the filter frames as described above.
- ⇒ Let the filter frame rest on some soft padding material, the filter glass showing downward.



- ⇒ Turn the latches of the filter glass holder aside.
- ⇒ Tilt the frame upward.
- ⇒ Take out the defective filter glass.



Assembly

- ⇒ Put in the new filter glass.
- ⇒ Lock the filter frame.
- ⇒ Push the latches of the filter glass holder back into previous position.
- ⇒ Re-assemble the filter frame as described above.

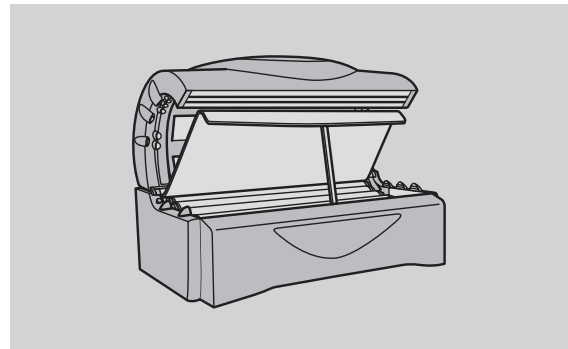
Replacing Dust Filter Mats in the Top Canopy

- ⇒ Take the old filter mats out and replace with new ones.



Replacement of Dust Filter Mats in the Sunbed

- ⇒ Lift the sunbed plexi and secure with plexi support bracket.



- ⇒ Take off the front cover plate.
- ⇒ Take out the old filter mat and replace with new one.
- ⇒ Reassemble the front cover plate.
- ⇒ Put back the plexi support bracket and let sunbed plexi carefully down onto the sunbed.

Replacement of Design Backlights

The lamps used for backlighting the design must be replaced when they become defective.

Front

- ⇒ Take a screwdriver and loosen the screws at the design element.
- ⇒ Take the fluorescent lamp out of the lampholder and replace with new one.

- ⇒ Screw the design element back to front cover plate.

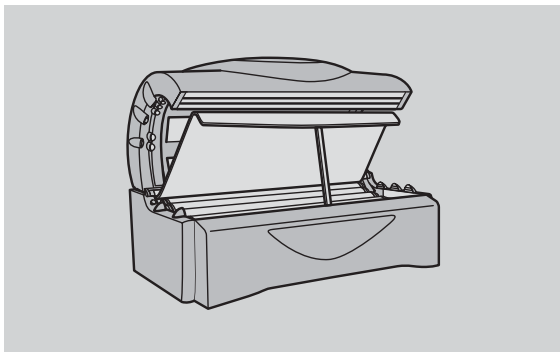
Top Canopy

- ⇒ Take a screwdriver and loosen the screws at the design element.
- ⇒ Take off the design element.
- ⇒ Take the fluorescent lamp out of the lampholder and replace with new one.
- ⇒ Screw the design element back to the top canopy.

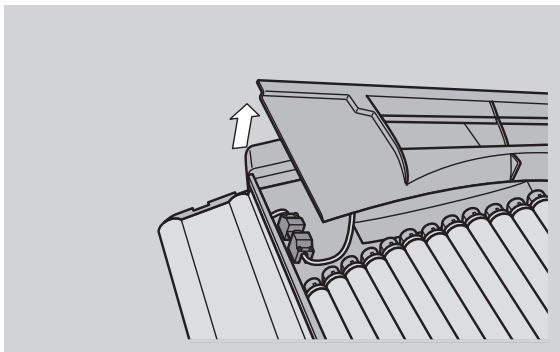
Sunbed

In order to replace the blue courtesy light in the sunbed you need to take out the lamp covers at the head- and footend of the sunbed.

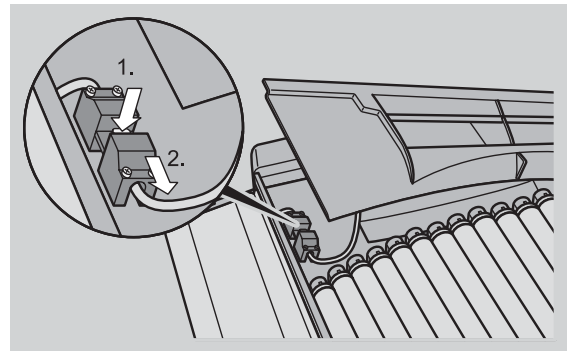
- ⇒ Lift the sunbed plexi upward and secure with plexi support bracket.



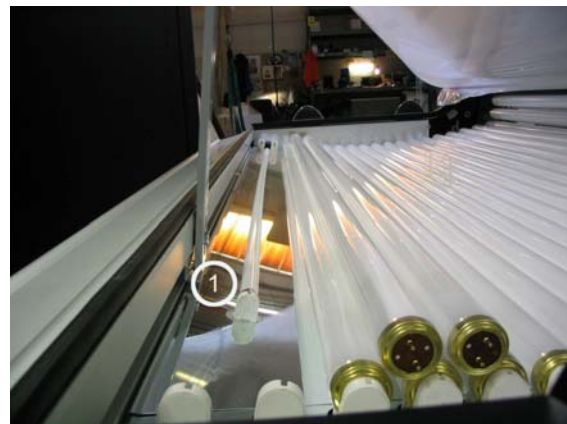
- ⇒ In order to take out the lamp covering in the headend, lift this carefully for a few centimeters.




- ⇒ Pull out the plug for the plexi safety device button.
- ⇒ In order to pull out the plug, push the button between the plug and the plug terminal down and pull the plug out of the terminal.



- ⇒ The lamp cover at the footend is not connected to a plug. Just take out the lamp cover.
- ⇒ Take out the foremost two UV-lamps of the sunbed and store them at a safe place.




- ⇒ Take the fluorescent lamp (1) out of the lampholder and replace with new one.
- ⇒ Reassemble the two UV-lamps back to the sunbed.
- ⇒ Put back the lamp covers at the head- and footend of the sunbed.
- ⇒ Reconnect the plug at the headend lamp cover.
- ⇒ Push back the plexi support bracket and let the sunbed plexi carefully down onto the sunbed.




CAUTION!
 Never dispose of high- or low-pressure UV lamps with regular domestic waste. Dispose of lamps in an environmentally safe way in compliance with applicable local/national standards and regulation.


Cleaning



DANGER
Risk of Electric Shock!
Disconnect unit completely from mains supply system prior to any cleaning and maintenance job. Secure mains disconnection switch with lock and key against unauthorized or accidental activation. Else there is the risk of electric shock.



Attention!
Never clean the sunbed with aggressive or abrasive cleaning solutions which contain alcohol or aetheric oils. Do not use disinfectants like e. g. Sagrotan. These solutions can damage the sunbed.

-  For cleaning of the plexis use only disinfectant recommended by manufacturer.

Clean the sunbed and top canopy plexi after each session.


The surfaces of the unit and the low-pressure lamps must be cleaned as necessary.


- ⇒ Spray sunbed and top canopy plexi with a quick-working disinfectant.
- ⇒ Wipe plexis with a dry, soft cloth.
- ⇒ Wipe low-pressure lamps and surfaces with a slightly damp leather cloth.

Disassembly


If you want to install the unit at a new location, you need to completely disassemble the sunbed.

Perform disassembly work with 4 persons.


-  Refer to the information and illustrations provided in the chapter "Assembly"




DANGER
Risk of Electric Shock!
Disconnect unit completely from mains supply system prior to any cleaning and maintenance job. Secure mains disconnection switch with lock and key against unauthorized or accidental activation. Else there is the risk of electric shock.



Danger!
Risk of Faulty Disassembly!
Inadequately or improperly performed disassembly work can cause serious damages and fatal injuries. Only authorized service technicians or skilled electrical personnel are allowed to perform (dis-)assembly work and electrical (dis-)connections.



Attention!
Some components may easily get scratched. Do not kick against components. Do not damage or scratch surfaces, e. g. with assembly tools.



Caution! Heavy Load !
Overstraining when carrying the sunbed components may result in serious damages to your health. Always carry the heavy components of the unit with four persons.

Disassemble the unit as described in the Chapter "Disassembly".

- ⇒ Transport and carry the sunbed as described in the chapter "Transport".

Storage

If you intend not to operate the sunbed for a considerable time, you should store the equipment at a dry place, protected from dust and corrosion.

Switch off the mains disconnection switch. Secure with lock and key against unauthorized and/or accidental re-activation of power supply.

- ⇒ Cover the sunbed with lint-free cloth or other appropriate cover material to protect it against dust and dirt.

Re-Use

- ⇒ If you want to operate the sunbed after storage time again, remove the cover material.
- ⇒ Clean the sunbed as described in the chapter "Cleaning".
- ⇒ Remove lock and key and activate the mains disconnection switch.
- ⇒ Perform daily maintenance inspection as described in the chapter "Maintenance".

Troubleshooting



Caution!

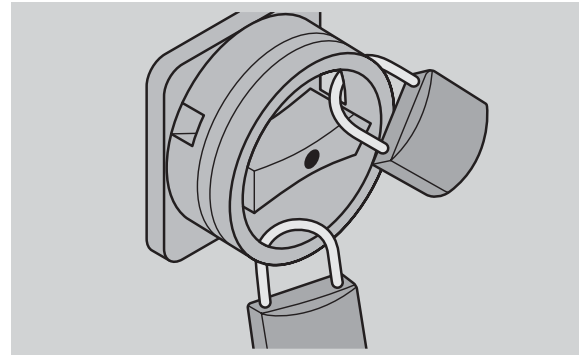
Malfunctions and defects should only be repaired by authorized service technicians! Salon personal is only allowed to correct malfunctions which have obviously been caused by improper operation!



Caution!

Prior to any troubleshooting, disconnect unit completely from mains supply system.

- ⇒ Put the mains disconnection switch into position „0“.
- ⇒ Secure with lock and key!



Error Codes

Error Code	Possible cause and correction
E001	Wind flag does not work.. Check plug/terminal
E002	Filter glass defective or missing. Instal/replace filter glass.
E003	Sunbed plexi open. Close plexi.
E004	Front cover plate open. See that front cover plate fits correctly.
E005	Emergency Stop Button activated. Unlock Emergency Stop Button.
E006	Maximum Exposure Time has expired.
E007	Not assigned.
E008	Communication problem. Check connection/plug to control board.
E009	Not assigned.

⇒ To delete an error message after malfunction has been corrected, push the "Start/Stop" button.

The unit is ready to start a new tanning session.

Malfunctions during Operation

Malfunction	Possible cause and correction
The unit does not start when timer device is activated.	No power supply. Check fuses and fl-protective switch.
The low-pressure lamps are flickering.	Starter defective. Replace starter.
The unit gets too hot.	Fresh air supply and outlet of exhaust air in the room may not be sufficient. Check air outlets and remove obstacles if necessary.
One or more low-pressure lamps in the top or sunbed to not light up.	Low-pressure lamps not correctly locked into lampholder. Install low-pressure lamp correctly.
	Low-pressure lamp defective. Replace low-pressure lamp.

One or more HID quartz lamps do not light up.	HID Quartz lamp defective.
	Replace HID quartz lamp.
	Ignitor for HID quartz lamp defective.. Replace ignitor.

Disposal

The sunbed must be properly disassembled when taken finally out of operation.

Properly dispose of freezing liquid when you dispose of AC unit and observe all applicable environmental standards and regulations.

All components of the sunbed must be sorted out and re-cycled according to all applicable environmental standards and regulations.

Please contact your local authorities for applicable environmental standards and regulations and due procedures for final disposal.

Contacts:

Advanced UV Light GmbH
Ruhrtalstrasse 85–93
D–45239 Essen
Telefon: 0049 201 / 8 49 12 - 0
Telefax: 0049 201 / 8 49 12 - 55
E-Mail: info@auvl.de
Internet: www.drmueller.de
www.auvl.de

Declaration of Conformity

Advanced UV Light, Ruhrtalstrasse 85-93, D–45239 Essen herewith declares this product to be in conformity with the applicable international safety standards and regulations as well as EC directives.

Equipment Model/Type: High-Performance
Tanning Unit HELIX 24/21

Essen, _____

Standards

The High-Performance Tanning unit type HELIX is in conformity with the following standards and directives:

Applicable EC Directives:

- EC low voltage directive 73/23/EWG
- EMV-Directive 89/336/EMV

Applied harmonized standards:

- DIN EN 60335-2-27
- DIN 5050

Warranty

The scope and terms of warranty for this sunbed manufactured by Advanced UV Light GmbH comply with the legal provisions at the time of sale effective in the country of origin. In addition, our General Terms or Trade apply.

