

DR. KERN WARRANTY AND RETURN POLICY

Dr Kern EOS-USA, Inc. (hereafter "Dr. Kern") warrants in accordance with the provisions appearing below, to each purchaser of a new Dr. Kern Solarium professional tanning bed ("Equipment") from an authorized Dr. Kern distributor.

1. There shall be no warranties, express or implied, made by Dr. Kern except as are set forth in this Warranty and Return Policy regarding any Equipment purchased from Dr. Kern.
2. The warranties set forth herein are extended exclusively to the original purchaser of Dr. Kern Equipment and are not transferable.
3. Dr. Kern warrants the chassis and spring assisted canopy lift system on any Equipment against defects in materials and workmanship for a period of five (5) years from the date of original purchase. Lamps, lamp holders, starters, filters, gas shocks and acrylic sheets on any Equipment are warranted against defects in materials and workmanship for a period of thirty (30) days from the date of original purchase. All other Equipment components included as original equipment are warranted against defects in materials and workmanship for a period of one (1) year from the date of original purchase. Repairs that are required as a result of damage during transportation to the end user's location, as well as due to neglect, improper handling or faulty installation are expressly excluded from this warranty.
4. Should the failure to conform with this warranty occur during the applicable specified period with respect to any Equipment, or component thereof, under normal and proper use and provided the Equipment, or component thereof has been properly stored, installed and maintained in strict accordance with any directives, instructions and operating procedures provided by the manufacturer, Dr. Kern shall, upon presentation of proof of purchase, correct such nonconformity at the option of Dr. Kern either by repair or replacement, F.O.B. factory, of the nonconforming part. Return of any Equipment or component part thereof pursuant to this paragraph shall be at the purchaser's risk and expense.
5. Dr. Kern warrants any Equipment, or component part thereof, that is repaired or replaced pursuant to the above warranty, under normal or proper use, storage, installation and maintenance, against defects in design, workmanship and material for a period of thirty (30) days from date of start-up of such repaired or replaced Equipment.
6. This warranty does not cover defects or damages to any Equipment resulting from misuse or failure to follow instructions. This warranty does not cover any incidental or consequential damages, labor on location, service calls, reinstallation, or expenses involved in shipping, packing, and returning goods. This warranty does not cover damages to any Equipment resulting from misuse, abuse, accident or alteration. This warranty does not cover damaged to any Equipment caused by fire, flood, explosion, earthquake, failure of power, lightning, power surge or other acts of God. Any alteration or repair to any Equipment other than by a factory authorized person will invalidate this warranty.

7. THE FOREGOING WARRANTIES ARE EXCLUSIVE AND IN LIEU OF ALL OTHER WARRANTIES OF ANY KIND, INCLUDING, BUT NOT LIMITED TO, WARRANTIES OF QUALITY, WHETHER WRITTEN, ORAL OR IMPLIED. ALL OTHER WARRANTIES INCLUDING THOSE OF MERCHANTABILITY OR FITNESS FOR A PARTICULAR PURPOSE ARE HEREBY DISCLAIMED. Correction of nonconformities in the manner and for the period of time provided above shall be purchaser's exclusive remedy and shall constitute fulfillment of all liabilities of Dr. Kern whether in warranty, contract, negligence, tort, or otherwise with respect to the Equipment or component part delivered hereunder. Dr. Kern shall in no event be responsible for providing working access to the defect, including disassembly and reassembly of equipment or parts other than the Dr. Kern Solarium itself.
8. Except as set forth in this warranty DR. KERN SHALL HAVE NO OBLIGATION OR LIABILITY OF ANY KIND ON ACCOUNT OF ANY EQUIPMENT OR COMPONENT PART THEREOF, AND SHALL NOT BE LIABLE FOR ANY INJURY TO PERSON OR PROPERTY, OR ANY OTHER LOSS OR DAMAGE, INCLUDING, BUT NOT LIMITED TO, LOSS OF PROFIT, RENTAL OF SUBSTITUTE EQUIPMENT OR OTHER COMMERCIAL LOSS, EITHER DIRECT OR CONSEQUENTIAL ARISING OUT OF THE USE OR INABILITY TO USE THE EQUIPMENT.
9. **Return Policy.** As a general rule, Dr. Kern products, including Equipment, cannot be returned. Before any Dr. Kern products, including Equipment, may be returned to Dr. Kern for repair, credit, or otherwise it is required that prior authorization is obtained from Dr. Kern and that such return shipment is clearly marked with an RGA (Return Goods Authorization) number issued by Dr. Kern customer service. No return of Equipment or other products will be accepted by Dr. Kern unless such return shipment is clearly marked with the RGA number. Any return shipment to Dr. Kern must be insured and freight prepaid at purchaser's expense. All return shipments are shipped FOB, freight collect, best way unless arranged otherwise in advance. Final acceptance of returned Equipment or other products is subject to factory inspection. Restocking charges will apply to any return of Equipment or other products.

Dr. Kern-EOS USA, Inc.
221 South Franklin Rd, Unit 1
Indianapolis, IN 46219
USA
Phone 1.800.585.5095

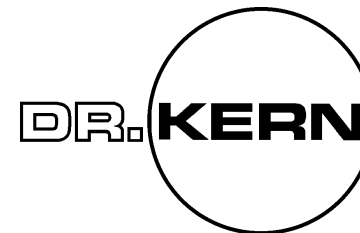
GUARANTEE / REGISTRATION CARD

In the event of complaint, please send this guarantee slip - together with the sale invoice in all cases - to your dealer or to the after-sales service center.

Date of purchase:

Dealer:

Type marking (article and serial number):



INSTRUCTIONS FOR USE

UVA-HT 420- T UVA-HT 420-U



THIS PRODUCT CONFORMS WITH PERFORMANCE STANDARDS FOR SUN LAMP PRODUCTS UNDER 21 CFR PART 1040.20.

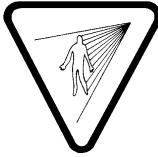
Print No. 29491156 / 10.05

20009343



WARNING - ULTRAVIOLET RADIATION - FOLLOW INSTRUCTIONS - FAILURE TO USE PROTECTIVE EYEWEAR MAY RESULT IN SEVERE BURNS OR OTHER EYE INJURY - IF DISCOMFORT DEVELOPS, DISCONTINUE USE AND CONSULT A PHYSICIAN.

ATTENTION - RAYONNEMENTS ULTRAVIOLETS - VEUILLEZ SUIVRE LES INSTRUCTIONS - SANS DISPOSITIF DE PROTECTION DES YEUX, CE PRODUIT PEUT CAUSER DES BRÛLURES OU LÉSIONS OCULAIRES GRAVES - SI VOUS SENTEZ UN MALAISE, EN DISCONTINUER L'USAGE ET CONSULTER UN MÉDECIN.



IMPORTANT - BEFORE USING READ INSTRUCTIONS ON BACK

HT 420-T

OPERATING INSTRUCTIONS FOR YOUR DR. KERN SUNLAMP HT420-T

- Read the instruction booklet before use
- Plug cord into 110-120 V 60 Hz A.C. receptacle
- Turn timer to switch on the sunlamp

Model No. 91933600
120 volts 60 Hz A.C. only 420 watts

- After exposure unplug the sunlamp

CAUTION - WEAR PROTECTIVE EYEWEAR "SCHMERLER MODEL 2255" OR EQUIVALENT EYEWEAR AS DEFINED UNDER 21 CFR 1040.20 2(b) (6). FAILURE TO MAY RESULT IN SEVERE BURNS OR LONG-TERM INJURY TO THE EYES. RECOMMENDED EXPOSURE - INITIAL EXPOSURE SHOULD NOT EXCEED 15 MINUTES AT A DISTANCE NOT LESS THAN 20 INCHES - 0.5 METER. EXPOSURE AT DISTANCES LESS THAN 20 INCHES - 0.5 METER - IS NOT RECOMMENDED AND MAY RESULT IN OVEREXPOSURE. TANNING MAY APPEAR AFTER ONE APPLICATION. ALLOW 24 HOURS BETWEEN SESSIONS TO OBTAIN A BASE TAN. LAMP - REPLACEMENT ONLY WITH DR. KERN 400 W KAT. NO. 20009355 WITH FDA REF NO. 8720182

DANGER - AS WITH NATURAL SUNLIGHT, OVEREXPOSURE CAN CAUSE EYE AND SKIN INJURY AND ALLERGIC REACTIONS. REPEATED EXPOSURE MAY CAUSE PREMATURE AGING OF THE SKIN AND SKIN CANCER. MEDICATIONS OR COSMETICS MAY INCREASE YOUR SENSITIVITY TO THE ULTRAVIOLET RADIATION. CONSULT PHYSICIAN BEFORE USING SUNLAMP. IF YOU ARE USING MEDICATIONS OR HAVE A HISTORY OF SKIN PROBLEMS OR BELIEVE YOURSELF ESPECIALLY SENSITIVE TO SUNLIGHT, IF YOU DO NOT TAN IN THE SUN, YOU ARE UNLIKELY TO TAN FROM THE USE OF THIS PRODUCT.

ATTENTION - COMME AVEC SOLEIL NATUREL, TROP DE L'EXPOSITION PEUT BLESSER LES YEUX ET CAUSER UN COUP DE SOLEIL. L'EXPOSITION RÉPÉTÉE PEUT CAUSER LE VIEILISSANT PRÉMATURÉ ET DU CANCER DE LA PEAU - MÉDICAMENTS OU COSMÉTIQUES APPLIQUÉS À LA PEAU, PEUVENT AUGMENTER LA SENSIBILITÉ À LA LUMIÈRE ULTRA-VIOLETTE. UNE PERSONNE QUI NE SE BRONZE JAMAIS AU SOLEIL NE SERA PAS BRONZÉE AVEC L'USAGE DE CET APPAREIL. AYANT DES PROBLÈMES DE LA PEAU, ELLE DOIT CONSULTER UN DERMATOLOGUE AVANT L'USAGE. IL FAUT ÉVITER UNE EXPOSITION TROP LONGTEMPS. LES ENFANTS, LES PERSONNES D'UN CERTAIN ÂGE, OU LES PERSONNES BLONDES QUI TOUJOURS SE BRÛLENT FACILEMENT OU NE SE BRONZENT JAMAIS OU PRESQUE JAMAIS, NE DOIVENT PAS UTILISER CET ÉQUIPEMENT.

Dr. Kern-EOS USA, Inc. Indianapolis, IN 46219

HT 420-U

OPERATING INSTRUCTIONS FOR YOUR DR. KERN SUNLAMP HT420-U

- Read the instruction booklet before use
- Plug cord into 110-120 V 60 Hz A.C. receptacle
- Turn timer to switch on the sunlamp

Model No. 91906900
120 volts 60 Hz A.C. only 420 watts

- After exposure unplug the sunlamp

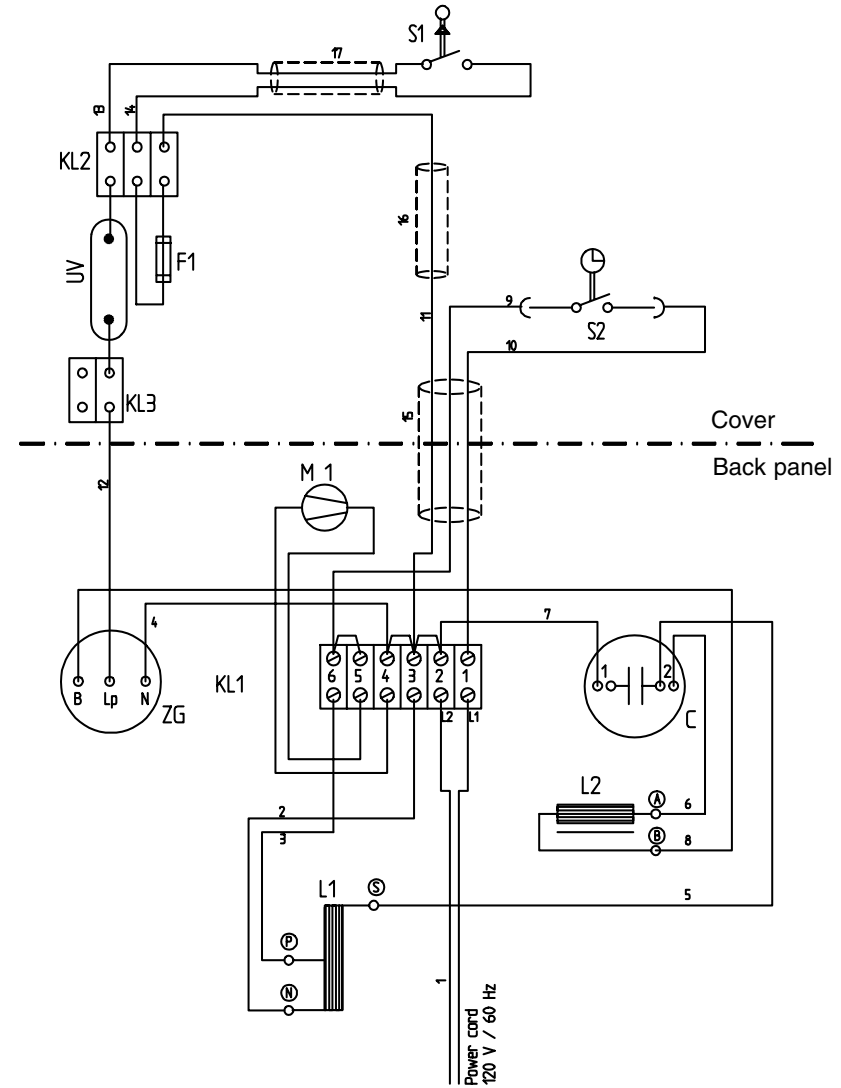
CAUTION - WEAR PROTECTIVE EYEWEAR "SCHMERLER MODEL 2255" OR EQUIVALENT EYEWEAR AS DEFINED UNDER 21 CFR 1040.20 2(b) (6). FAILURE TO MAY RESULT IN SEVERE BURNS OR LONG-TERM INJURY TO THE EYES. RECOMMENDED EXPOSURE - INITIAL EXPOSURE SHOULD NOT EXCEED 15 MINUTES AT A DISTANCE NOT LESS THAN 20 INCHES - 0.5 METER. EXPOSURE AT DISTANCES LESS THAN 20 INCHES - 0.5 METER - IS NOT RECOMMENDED AND MAY RESULT IN OVEREXPOSURE. TANNING MAY APPEAR AFTER ONE APPLICATION. ALLOW 24 HOURS BETWEEN SESSIONS TO OBTAIN A BASE TAN. LAMP - REPLACEMENT ONLY WITH DR. KERN 400 W KAT. NO. 20009355 WITH FDA REF NO. 8720182

DANGER - AS WITH NATURAL SUNLIGHT, OVEREXPOSURE CAN CAUSE EYE AND SKIN INJURY AND ALLERGIC REACTIONS. REPEATED EXPOSURE MAY CAUSE PREMATURE AGING OF THE SKIN AND SKIN CANCER. MEDICATIONS OR COSMETICS MAY INCREASE YOUR SENSITIVITY TO THE ULTRAVIOLET RADIATION. CONSULT PHYSICIAN BEFORE USING SUNLAMP. IF YOU ARE USING MEDICATIONS OR HAVE A HISTORY OF SKIN PROBLEMS OR BELIEVE YOURSELF ESPECIALLY SENSITIVE TO SUNLIGHT, IF YOU DO NOT TAN IN THE SUN, YOU ARE UNLIKELY TO TAN FROM THE USE OF THIS PRODUCT.

ATTENTION - COMME AVEC SOLEIL NATUREL, TROP DE L'EXPOSITION PEUT BLESSER LES YEUX ET CAUSER UN COUP DE SOLEIL. L'EXPOSITION RÉPÉTÉE PEUT CAUSER LE VIEILISSANT PRÉMATURÉ ET DU CANCER DE LA PEAU - MÉDICAMENTS OU COSMÉTIQUES APPLIQUÉS À LA PEAU, PEUVENT AUGMENTER LA SENSIBILITÉ À LA LUMIÈRE ULTRA-VIOLETTE. UNE PERSONNE QUI NE SE BRONZE JAMAIS AU SOLEIL NE SERA PAS BRONZÉE AVEC L'USAGE DE CET APPAREIL. AYANT DES PROBLÈMES DE LA PEAU, ELLE DOIT CONSULTER UN DERMATOLOGUE AVANT L'USAGE. IL FAUT ÉVITER UNE EXPOSITION TROP LONGTEMPS. LES ENFANTS, LES PERSONNES D'UN CERTAIN ÂGE, OU LES PERSONNES BLONDES QUI TOUJOURS SE BRÛLENT FACILEMENT OU NE SE BRONZENT JAMAIS OU PRESQUE JAMAIS, NE DOIVENT PAS UTILISER CET ÉQUIPEMENT.

Dr. Kern-EOS USA, Inc. Indianapolis, IN 46219

WIRING DIAGRAM



- C Capacitor 30 μ F
- UV HID lamp 400 watts
- F1 Thermal link
- ZG Ignitor
- L2 Lamp ballast 400 watts
- L1 Stray field transformer
- M1 Fan
- S1 Micro switch
- S2 Clock operated switch

MAINTENANCE

Always disconnect the plug before cleaning!

Please pay close attention to the condition of the filter glass; it must always be intact and clean. Touching the surface will leave marks which could burn into the glass and weaken the effects of the rays. Use a clean cloth and alcohol to clean the outside surface of the glass. Never open the appliance. All other parts may be wiped down with a cloth moistened with warm water to which a small amount of dishwashing detergent has been added. Do not use any abrasive cleaning agents.

Be careful that no liquid of any kind enters the unit.

SPARES

Only original spares must be used when replacing these. Original spares can be ordered from your after-sales service center or dealer, quoting the appliance Model No. (shown on the type rate label).

The lamp and filter glass are matched one to the other. Two types of glass filters have been certified for use in this appliance.

UVISOL 95 (blue glass)
Glaverbel VHR (clear glass)

Lamp-Replacement only with Dr. Kern 400 W lamp No. 20009355 with FDA reference No. 87200182.

The operating life time of the UVA high pressure HPA-lamp is approx. 500-800 hours.

CHANGING THE LAMP

As the case for all maintenance operations, the unit must be disconnected from the power supply. For changing the lamp, the housing of the appliance must be opened. For this unscrew the back panel of the housing, which is fixed with 5 screws to the front cover. The bulb is mounted between the ceramic clamps beside the reflector.

Do not touch the glass body of the new metal halogen lamp, it should only be held by the flat part at one end.

The changing of the lamp and all repairs should only be carried out by a specialist or by an authorized shop.

TECHNICAL SPECIFICATIONS

Supply voltage:	120 V AC 60 Hz
Power drawn:	420 W
Dimensions	
H/W/D (mm):	465/255/150
Weight:	approx. 8 kg
UV Generator:	Dr. Kern Type HTC 400 W FDA 8720182 Metal-halogenide high- pressure lamp with special combination filter
Filter glass:	HT 420-T: transparent pane HT 420-U: blue pane (Uvisol)

The UV lamp unit complies with CFR 1040.20
Maximum recommended exposure period 30 minutes

Threshold/continuous ratio qs=6,3

Only those spare parts which we supply or approve may be used if repairs become necessary. The lamp and filter are matched one to the other. Repairs should be carried out only by an authorized shop

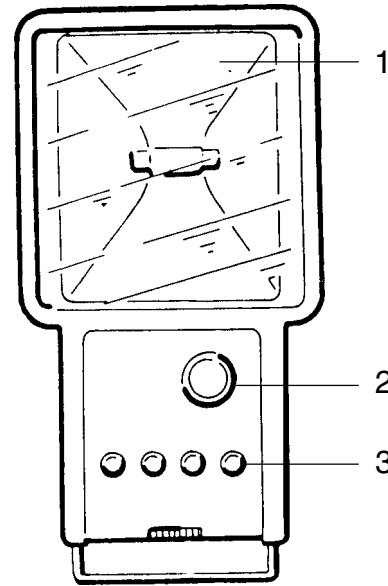


Fig. 1a

- 1 Special-design filter
- 2 Electromechanical timer
- 3 Reminder dials

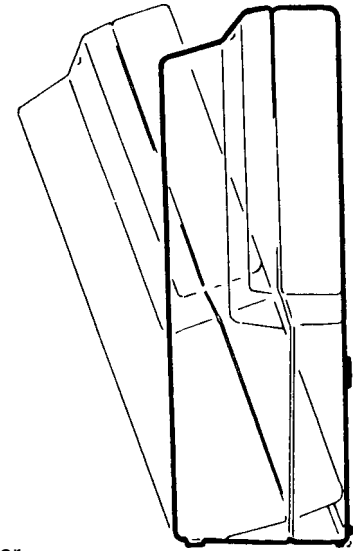


Fig. 1b

The appearance of the appliance may vary from the details shown in the drawings.

GENERAL INFORMATION

The sun's natural rays give warmth, visible light and ultraviolet light. In regard to their effect on the skin, the UV spectrum is subdivided into the UV-A, UV-B and UV-C segments. The longer UV-A waves are gentle to the skin, even at higher concentrations, and tan the pigments just beneath the surface of the skin. Light in the UV-B range is what initiates the formation of pigment, but it can also cause sunburn. The atmosphere shields us against the UV-C rays, which as a result do not reach the earth's surface.

Filtering out these UV-B rays almost entirely will effectively eliminate sunburn. But the production of melanine would then not be stimulated. This substance is converted into pigment in the cells at the surface of the skin; it then darkens under the influence of UV-A light, causing the skin to tan.

The UV-A light of the sun is very slow in causing a tan. Only at intensities higher than those of natural sunlight is UV-A able to tan the skin more quickly, by means of so-called direct pigmentation of the pigments already present in the skin. Nowhere on earth the sun can supply UV-A radiation at this level without an accordingly high share of UV-B. Only a high-performance unit with a costly filter and cooling system can generate this level of UV output: The DR. KERN UVA HT 420. Special precautions must be observed when using the HT 420 - PLEASE READ AND OBEY THE FOLLOWING.

IMPORTANT !

Read the instructions for use carefully before putting the appliance into service.

- The appliance is intended for connection to 120 V/60 Hz.
- Unplug the power cord whenever the unit is not in use.
- Repairs to the appliance should only be carried out by a specialist or by an authorized shop.
- Objects which could fade or be damaged by the sun's rays should not be exposed to UV light of the unit for extended periods.
- The appliance should only be operated in a dry area shielded from splashing or dripped water. Do not use the unit in damp rooms or near swimming pools.
- Do not cover any part of the unit and the ventilation grilles in particular.
- In case of failure of the cooling fan (causing abnormal warming of the unit), switch the unit off immediately.
- Be absolutely certain that the filter glass is in perfect condition; tanning with a defective filter will cause serious skin burns.
- Do not switch on the unit in any area where there may be explosive vapors.
- Allow the appliance to cool down for at least 15 minutes before storing it.
- The unit is allowed to be used only by one person at the same time.
- Protective eyewear must be worn by all persons in room with an operating lamp to avoid injury to the eyes. Only one pair of protective eyewear has been provided with the lamp.
- Do not use any tanning device without your physician's approval if there are signs of illness or unexplained symptoms. This also applies when taking medicines, and in particular those which will increase sensitivity to the sun or light.

- Children do not realize the danger which can occur in the use of electrical appliances and UV-radiation. Therefore, children must never be allowed to operate the unit. Do not allow children to use the tanning appliance without supervision.
- Always avoid overexposure to UV light. This is true for every tanning unit and to a far greater extent for the natural sun.
- Do not use any protective creams or a sun screen. The skin should be clean and free of cosmetics.
- The skin should be treated with a moisturizing cream after each tanning session to protect it from drying.
- This appliance is not designed for use in medical purposes.

TANNING INSTRUCTIONS

The length of the tanning sessions will depend on your particular skin type. See page 5. Always wear protective glasses or goggles when tanning. Ten sunbaths in a row make up the normal tanning cycle; the length of the individual sessions should be selected in accordance with the table. Then take a break for four weeks.

Do not attempt to achieve a quicker tan by extending the length of the tanning treatments. If you feel that your skin is tight and reddened, you should reduce your tanning time by 5 minutes and tan only on alternate days.

It is not possible to obtain a deeper tan than what would be possible in the sun at ideal conditions; your skin type is what ultimately determines the degree of tan which you will achieve. It is quite natural that fair skin, in particular, which hardly develops any pigments at all in the natural sun, will be just as difficult to tan under artificial sun.

EXPOSURE TIMES

RECOMMENDED EXPOSURE SCHEDULE		MAXIMUM EXPOSURE TIMES (IN MINUTES)			
CLASS:	SKIN TYPES:	week 1	week 2	week 3	MAX
I	Sensitive Skin (Burns easily and severely, and does not tan.)	TANNING NOT ADVISED			
II	Light Skin (Burns easily and severely, and tans minimally.)	20	22	26	30
III	Normal Skin (Burns moderately, and tans moderately.)	28	32	36	40
IV	Dark Skin (Burns minimally, and tans well or above.)	40	48	54	60

Subsequent sessions of 30 minutes each may follow the fifth day of tanning. Then you should take a break of 3 to 4 weeks. Further "refresher" sunbaths may then be taken to maintain your tan: their frequency will depend on your skin type. Using a good moisture cream after each sunbath is strongly recommended.

SETTING UP FOR OPERATION

Place the appliance on a stable surface (usually a table). Connect the unit only to a 120 V AC power source.

The length of the tanning session is set at the electromechanical timer by rotating the knob. The unit switches on automatically when this knob is set.

Important! The lamp will not light if it is hot. Allow it to cool for three to four minutes before restarting the appliance.

Assume a comfortable position after setting the proper time (see the following section); the face should be about 50 cm (20 inch) from the filter glass. A shorter or longer distance will result in shorter or longer tanning periods. You may select the distance you prefer, remembering that the distance will affect tanning intensity. Tanning the upper body will require a distance of 50 cm; the light will then cover the area from the head to the waist.

Tanning begins once you have set the time. The UV lamp takes about three minutes to reach full power. Observe the tanning instructions.

REMINDER DIALS

As mentioned above, there are five to ten tanning sessions in a series. Advance the dial by one digit for each tanning session; this will help you keep track of how many sessions you have completed. There are dials for four users.

