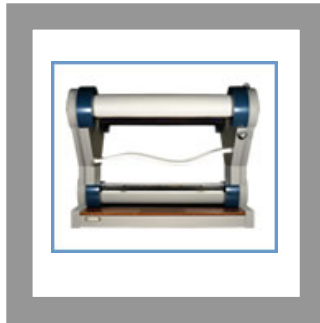


VELOCITY 918HP

WHITESUN

Solarium for body tanning



Technical Manual

User's Manual

For approved replacement parts and other questions contact:



1-800-449-3605

7445 Company Drive, Indianapolis, IN 46237-9296

Whitesun S.r.l - Via Filippo da Recco 21 D - Recco (Ge) Italy

CONTENTS

1.0 INTRODUCTION	page 03
2.0 WARNINGS	page 04
Table of recommended exposure time	page 04
2.1 INSTRUCTIONS	page 06
2.2 DOCUMENTATION & ACCESSORIES	page 08
3.0 INSTALLATION	page 09
3.1 MACHINE POSITIONING	page 10
3.2 POWER SUPPLY CONNECTION	page 10
4.0 USE	page 11
4.1 OPERATING PROCEDURES	page 12
4.2 KEYBOARD FUNCTIONS	page 13
4.3 OPERATING FUNCTIONS	page 13
5.0 PREVENTIVE MEASURES AND MAINTENANCE	page 14
6.0 CLEANING	page 17
7.0 SUGGESTIONS AND TROUBLE-SHOOTING	page 18
8.0 TECHNICAL CHARACTERISTICS	page 19
8.1 VORTEX 924HP	page 19
8.2 VELOCITY 918HP	page 20
9.0 WARRANTY CONDITIONS	page 21
9.1 STATEMENT OF COMPLIANCE	page 23

1.0 INTRODUCTION

PAY ATTENTION – IMPORTANT

This new equipment is user-friendly.

However, in order to achieve the best results, it is important to carefully read this manual and follow all the instructions contained in it, before operating the equipment for the first time, since the manual provides important directions regarding the safety of installation, use and maintenance.

It is very important that this manual is kept together with the equipment for any future reference.

In case the equipment is sold or transferred to somebody else, make sure this manual is delivered together with the equipment, so that the new user may become acquainted with the machine operation and the corresponding instructions.

KEEP THIS MANUAL NEAR THE MACHINE FOR READY REFERENCE

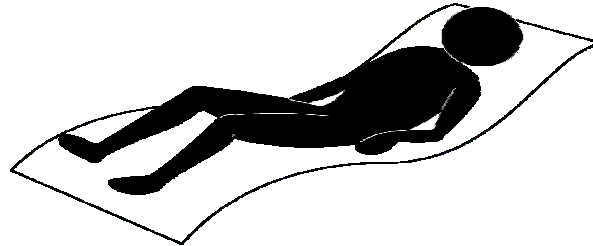
The quality requirements of this product are attested by the mark **CE** stamped on the product. Special attention is drawn on the following circumstances that may jeopardize the attested compliance and, obviously, product characteristics:

1. wrong power supply;
2. wrong installation, wrong or improper use or any use different from the instructions provided by the user's manual;
3. replacement of original components or accessories with other types that are not approved by the manufacturer or carried out by unauthorized personnel.

2.0 WARNINGS

DANGER Ultraviolet radiation. Follow instructions. Avoid overexposure. As with natural sunlight, overexposure can cause eye and skin injury and allergic reactions. Repeated exposure may cause premature aging of the skin and skin cancer. **WEAR PROTECTIVE EYEWEAR; FAILURE TO MAY RESULT IN SEVERE BURNS OR LONGTERM INJURY TO THE EYES.** Medications or cosmetics may increase your sensitivity to the ultraviolet radiation. Consult physician before using sunlamp if you are using medications or have a history of skin problems or believe yourself especially sensitive to sunlight. If you do not tan in the sun, you are unlikely to tan from the use of this product. Children, the elderly, or fair skinned people who always burn easily and either never tan or tan minimally should not use this equipment.

To use, lie down on contoured acrylic. Keep your body, including arms and legs, in contact with the contoured acrylic surface as shown. Use of other positions may result in overexposure. Do not use without protective panels in place. Untanned persons should not tan on consecutive days during their first week of tanning. Never tan more than once a day. Tanning normally appears after the first few sessions and maximizes after approximately four weeks. Tan once or twice per week thereafter to maintain appearance. Persons already having a base tan may begin at advanced levels corresponding to the extent of their base tan.



VELOCITY	RECOMMENDED EXPOSURE TIMES IN MINUTES		MAXIMUM EXPOSURE TIME IS 15 MINUTES				
			Level 1/Week 1 1st-3rd sessions	Level 2	Level 3	Level 4	Subsequent Maximum
	I Sensitive Skin -	(Burns easily and severely and does not tan)	NOT RECOMMENDED FOR TANNING				
	II Light -	(Burns easily and severely and tans minimally)	3	6	9	12	15
	III Normal -	(Burns moderately and tans average)	4	7	11	15	15
	IV Dark -	(Burns minimally, tans easily and above average)	5	9	13	15	15

WARNING

- Read the instructions booklet before using this sunlamp product.
- All persons in the room should wear protective eyewear when lamps are on. Recommended eyewear: provided eyeshields or equivalent eyewear as defined under 21 CFR 1040.20. Other types of eyewear may not provide adequate protection. Failure to use protective eyewear may result in severe burns or other eye injury. If discomfort develops, discontinue use and consult a physician.

DISCONNECT POWER SUPPLY BEFORE ATTEMPTING TO CLEAN, RELAMP, OR ENGAGE IN THE MAINTENANCE OF THIS PRODUCT.

ONLY THE FOLLOWING LAMPS HAVE BEEN CERTIFIED FOR USE IN THIS EQUIPMENT:

VELOCITY 918 HP (VELOCITY BODY UP)	Heraeus OH 50/100
---	--------------------------

THIS EQUIPMENT MUST BE EARTH GROUNDED.

This product is in conformity with performance standards for sun lamp products under 21 CFR PART 1040.20. Certified to CAN/CSD STD C22.2 No. 250.0, CAN/SCA STD C22.2 No. 224, ANSI/UL Standard 482, and ANSI/UL Standard 1598.



2.1 INSTRUCTIONS (to standard CEI EN60335-1/EN 60335-2-27/98 and amendments)

Artificial tanning is nowadays a widespread practice. In this field, however, there is still great confusion regarding the possible risks that may be incurred by those who practice artificial tanning.

In this matter, it should be reminded that light is subdivided as follows, according to wavelength:

- *wavelength lower than 280 nanometers (UV-C);*
- *wavelength range 280-320 nanometers (UV-B);*
- *wavelength range 320-400 nanometers (UV-A);*
- *wavelength range 400-800 nanometers (light visible with infrared radiation)*

WARNING

THESE INSTRUCTIONS HAVE BEEN PREPARED FOR YOUR AND OTHER PEOPLE'S SAFETY, THEREFORE PLEASE READ THEM CAREFULLY BEFORE INSTALLING AND USING THE MACHINE

ARTIFICIAL TANNING WITH HIGH PRESSURE UV-A EQUIPMENT

This equipment shall be used only for the purpose for which it has been designed, that is to be used in tanning centers, beauty salons and similar premises, for the time-limited exposure to type-3 ultraviolet radiation, so that the biological effect is brought about by radiation having a wavelength both lower and greater than 320 nm, and featured by a comparatively high proportion of irradiation in the 315-400 nm range, under the supervision of suitably trained personnel.

Any other use, including the use by children as a game or by unskilled persons without supervision, is improper and therefore dangerous and is forbidden.

The manufacturer shall not be held responsible for any damage arising from improper, wrong or unreasonable use.

INFORMATION AND PRECAUTIONS

- *Ultraviolet sunlight radiation or UV equipment may cause damage to the skin or to the eyes. These biological effects depend on the quality and quantity of the radiation as well as on the skin and eye sensitivity of the individual person.*
- *The skin may develop sunburn due to overexposure to sunlight. Too frequent exposures to ultraviolet sunlight radiation or to UV equipment may lead to a premature aging of the skin and to an increased risk of skin tumors.*
- *The unprotected eye may develop a superficial inflammation and, in some cases, for example after a cataract removal, damage to the retina could occur after overexposure. Cataracts may develop after several repeated exposures.*
- *Special attention must be paid in case of marked individual sensitivity to ultraviolet radiation; when certain drugs or cosmetics are used, ask for doctor's advice*

THEREFORE, THE FOLLOWING PRECAUTIONS MUST BE TAKEN :

- Always use the protective eye-wear that are provided for the session compliant to 21 CFR 1040.20.
- Properly remove in time cosmetic products, make-up and perfumes before exposure, and don't use any suntan product with sun protection factor; after exposure, moisturize and protect your skin with an after-sun lotion for solarium: it will refresh and nourish the skin with its many curing substances;
- Don't expose when you are taking drugs that increase sensitivity to ultraviolet radiation; in case of doubt, ask for doctor's advice;
- Leave at least 48 hours between the first two exposures if you do not already have a base tan;
- Don't tan in the sun and use the machine the same day;
- Follow the recommendations concerning exposure time, exposure intervals and exposure positions.
- Ask for doctor's advice if the skin develops persistent bulges, inflammation, pigmented moles, persistent swelling, ulcers or red spots.
- During normal use a **filter failure** may occur; in this situation **one will see an intense white light: DO NOT STARE AT THE LAMP.**
This light is very dangerous for the eyes and the skin, and the attending personnel must immediately stop the use of the machine and replace the filter (see Maintenance, Section 5.0). Always check, before using the machine, the soundness of its filters and screens; in case of defects or just if there is any doubt about the proper operation, don't use the machine.

The machine shall never be used without UV filter glass or external protective acrylics. Doing so is very dangerous for the eyes and the skin, and may cause erythema and conjunctivitis.

- Don't use the machine if the timer is faulty; if there is any doubt about the proper operation, don't use the machine.
- The machine should not be used by persons who burn easily without tanning when exposing to the sun, by persons who suffer from sunburn, by children or by persons who suffer or previously suffered from skin tumor or who are predisposed to skin tumor.
- Never operate this equipment without an exhaust hose connected to the unit's exhaust flange.
- Consult a doctor before allowing ill people, people with a pacemaker or pregnant women to tan in this equipment.

CONDUCT OF THE PROFESSIONAL PERSONNEL IN THE PRACTICE OF TANNING WITH HIGH PRESSURE UV-A EQUIPMENT

Before exposing the customer to irradiation, the attending professional personnel shall:

- have customer always use protective eye-wear
- verify customer's skintype before exposure
- observe exposure time and intervals according to customer's skintype
- inform the customer about the instructions to be observed before exposure
- not start the machine without WBF (Whitesun Blue Filter) or with damaged WBF or with open covers or acrylics
- always check the proper operation of the machine's timer
- only allow one person to tan in the unit at a time, using the included or equivalent eyewear as defined by 21 CFR 1040.20

WARNING

Products that can bring about photosensitizing effects include:
perfumes, cosmetics in general, dyes contained in cosmetic products (lipsticks), deodorants, sun filters.

Furthermore, exposure to UV-A radiation must be avoided by people who have taken photosensitizing drugs, among which, in particular, sulfa drugs and tetracycline. The attending personnel shall duly inform the customer about this, suggesting to postpone the session up to at least one week after the end of treatment.

2.2 DOCUMENTATION AND ACCESSORIES

Use, instructions, maintenance and installation manual and certification;
Equipment warranty;
Booklet with safety regulations to be clearly displayed near the machine;
Protective eye-wear;
Statement of delivery of the above-mentioned documents and material (D.L.G. 626)

3.0 INSTALLATION

PAY ATTENTION TO THESE FUNDAMENTAL RULES

DO NOT CARRY OUT ANY OPERATION WITH POWER ON

1. After packaging has been removed, check that the equipment is in good order and complete. In particular, make sure it has not been visibly damaged during transportation.
2. If you have any doubts, do not use the machine and get in touch with qualified personnel. Packaging material (plastic bags, cardboard boxes, etc.) may be dangerous for children, therefore keep it out of their reach, and dispose of it in an authorized dump.
The machine is not equipped with a power supply cord for the connection to the power line. A technician must connect power to this device via the hole provide in the rear ballast tray. The hole is preset for the entry of a cable, cord, sheath, or else, as contemplated by the technician who carried out the electrical installation.

IMPORTANT

The machine shall be connected to the power source in compliance with national regulations by a specialized technician. In particular, the technician shall verify that power source wires have a suitable cross-section area for the machine's current drain, check the efficiency of the grounding system, according to law, and ensure that an appropriate circuit breaker is in place to protect the branch circuit. These must be able to withstand the instantaneous starting current. The non-compliance with these accident-prevention measures involves fire hazard in case of short circuit.

Never use the same power supply line for other equipment.

3. The electrical installation requires a dedicated circuit capable of providing the current listed on each unit's serial number tag. The tag is attached to the base of the unit. The electrician must use this tag to size the appropriate circuit breaker used to protect the dedicated branch circuit.
4. The machine's installation shall be carried out in accordance with manufacturer's instructions. An incorrect installation may cause injury to people or damage to property, for which the manufacturer shall not be held liable.
5. In order to prevent dangerous overheating, do not install the machine close to any kind of heat source (at least 80 cm (32 inches) away from the source).
6. Do not obstruct the cooling air inflow and outflow grilles (if they are obstructed while the machine is in operation, this would cause serious damage to lamps, parabolic reflectors, ballasts, filters and external glass).
7. In order to properly operate, the machine requires a sizeable air change (see technical cards). Therefore, the machine must be installed in a place where there is a window or an air grating through which sufficient air can pass. Of course, the hot air coming out from the machine, in general reaching approx. 50° C (125° F), must have its outlet in the upper part of the room. These conditions are a must for the proper operation of the machine, for its soundness and for user's safety during its use.

IMPORTANT

The machine must be connected to an exhaust hose for the forced hot air produced by the lamps cooling. The hose's maximum length can be no longer than 5 meters (16 feet), with one bend having an angle of 90° maximum. In case of more bends or greater length, an air exhauster with appropriate power must be installed. Make sure the openings of the grille used to protect the hose outlet are not smaller than 10 mm (.4 inches) in diameter.

8. Do not install the machine in a damp room or in a room where there is explosion hazard.
9. The floor must be suitable to support the unit's weight and vibrations.
10. Room temperature must not exceed 25° C (80° F).

3.1 MACHINE POSITIONING

The bodywork of the machine must be positioned making sure:

- that it is placed on a fixed and stable floor, perfectly level, and supporting the machine's weight;
- that fresh air reaches the machine and that the air inflow and outflow grilles are not obstructed;
- that it is possible to make a hole in the ceiling tile or window to fit the air exhaust pipe;
- that there is enough room for carrying out maintenance

3.2 POWER SUPPLY CONNECTION

WARNING Do not energize before assembly and installation are complete.

- Connect three-phase power to the power terminal block located within the rear ballast tray.
- Verify the wires are correctly connected to the power block screw terminals and are not stripped too much, since this could produce leakage current or electric shock.
- Measure the correct voltage on the terminal screws, ensuring it is between 220-230 VAC.
- Do not use the same power supply line for other equipment.

4.0 USE

The use of any electrical equipment requires the compliance with some fundamental rules.

In particular:

1. Do not touch the machine with wet or damp hands.
2. Do not pull the power supply cord to move the machine.
3. Do not wet the machine with water or any other liquid which may get through the ventilation grilles or the protective cover.
4. Make sure the machine is not used by children or untrained people without supervision.
5. Disconnect power supply when the machine is not in use for extended periods of time.
6. Do not open the machine's acrylics, ballast tray covers or any other covers when it has just been turned off since the inside parts are very hot and there is risk of burning. Wait a few minutes until the parts cool down.
7. At the end of a session, on each machine, the lamps turn off but the cooling fans remain on in order to cool down the lamps: never stop this procedure.
8. If the machine works in a very warm room, or after having worked for a long time, the lamps may turn on with a few seconds delay since they are very hot.

Always use protective eye-wear during the session and observe the recommended exposure times.

CAREFULLY READ THE INSTRUCTIONS

4.1 OPERATING PROCEDURES

To use, lie down on contoured acrylic. Keep your body, including arms and legs, in contact with the contoured acrylic surface as shown. Use of other positions may result in overexposure.

SELECTING THE SESSION TIME

In order to immediately change the session time, press the TIME BUTTON to decrease the session time.

TURN ON

Press the **START** button to turn on the machine. The display indicates the remaining time for the session in minutes and seconds.

BODY VENTILATION

After starting, adjust body ventilation with the **AIR + / -** button; press these button until the desired body fan speed is achieved.

EARLY STOP

At the end of the exposure, the machine automatically turns off, but lamps cooling goes on. In this time lapse the machine cannot be started again (it is very important that the machine cools down at session's end).

For stopping the session in advance, press the **STOP** button.

EMERGENCY STOP





The red EMERGENCY button is located on the machine's console. **This button must be pressed only in case of emergency.** By pressing the button, an automatic trip disconnects the machine's circuit breaker and therefore the machine switches off.

4.2 KEYBOARD FUNCTIONS

- 1 LCD DISPLAY SHOWING SETTINGS
- 2 BUTTONS FOR INCREASING OR DECREASING BODY FAN SPEED
- 3 START BUTTON (TURNS ON)
- 4 STOP BUTTON (TURNS OFF)
- 5 BUTTONS FOR COLUMN POSITION



4.3 OPERATING FUNCTIONS

 <p>LCD DISPLAY SHOWING FUNCTIONS</p>	 <p>Body Fan Speed. Press the + or – button to increase or decrease fan speed. The setting level (1 to 4) is shown on the display.</p>
 <p>Turn off button</p>	 <p>Pressing START turns on machine. TIME decreases session time.</p>

5.0 PREVENTIVE MEASURES AND MAINTENANCE

Before carrying out any maintenance, disconnect the machine from the power supply source by switching off the circuit breakers located both on the machine and at the service panel.

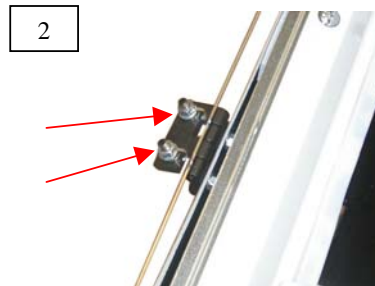
1. Lamps must be replaced after 500-600 hours of operation.
2. Blue filter glass and acrylic shields should be replaced after 1200-1500 hours of operation due to the solarization effect that will cause the glass and acrylic to gradually degrade in performance.

WARNING If white light can be seen, it means there is a broken filter. Immediately turn off the machine and replace the filter.

3. Clean the blue filter glass, both sides, every 100 hours or once a month whichever comes first. The cleaning will enhance the units tanning efficiency. See "Cleaning" in this manual.
4. Check periodically that the lamp cooling fans are working properly.
5. Don't place any object (e.g. towels, etc.) above or near the ventilation grills.
6. After the machine has been switched off, wait five minutes before starting it again.
7. Never use the machine without the UV filter-glass and acrylic screens installed.

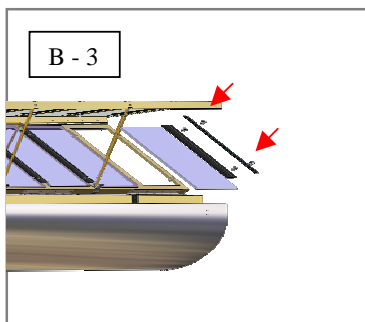
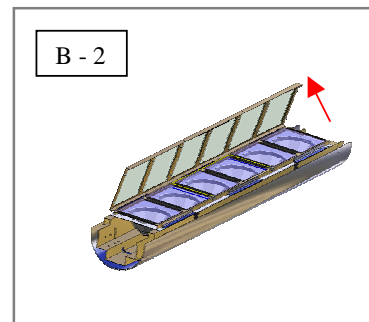
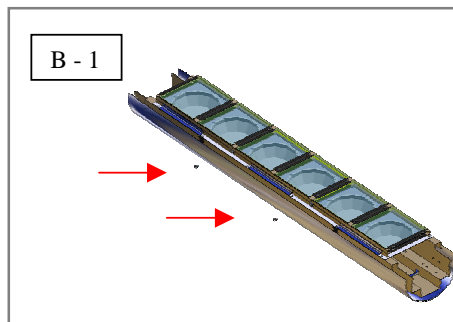
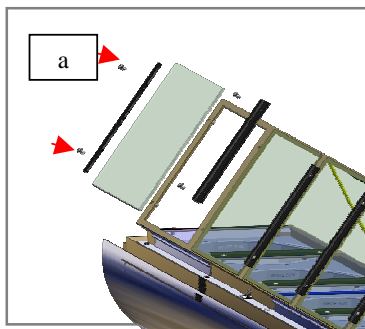
CHANGING THE COLUMN ACRYLIC

1. Unclip the four latches securing the acrylic screen and swing it open.
2. Remove the nuts fixing the acrylic screen to its four hinges and remove the acrylic.
3. **Mount the new acrylic and secure it carefully with the nuts.**
4. Close the acrylic and secure the latches.



CHANGING FILTER-GLASS

1. Unclip the four latches securing the acrylic and swing the acrylic open.
2. Remove the screws securing the filter-glass holding bracket as indicated in Figure b-1 and replace the filter.
3. Close the acrylic and secure the latches.

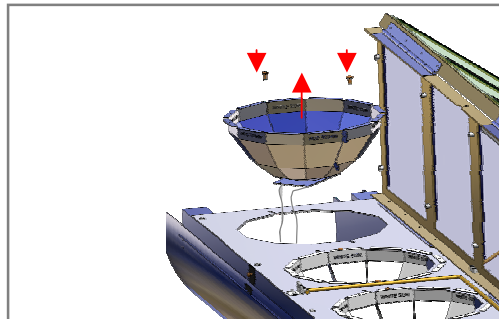


CHANGING THE LAMPS

1. Disconnect the machine from the power source.
2. Open the column acrylic.
3. Open the filter-glass holding frame and keep it open with the special stop.
4. Make sure the lamp is not hot.
5. Carefully remove the lamp from the lamp socket.
6. Insert the new lamp in the lamp socket. (CAUTION: do not touch the bulb part of it with the fingers)

CHANGING THE PARABOLIC REFLECTOR

1. Disconnect the machine from the power source.
2. Open the column acrylic.
3. Open the filter-glass holding frame and keep it open with the special stop.
4. Remove the screws securing the reflector.
5. Remove the reflector.
6. Connect the wires of the new lamp socket to the ignitor.
7. Insert the new parabolic reflector in the structure and secure with the special screws.



WARNING

Anything that is not expressly allowed is forbidden.

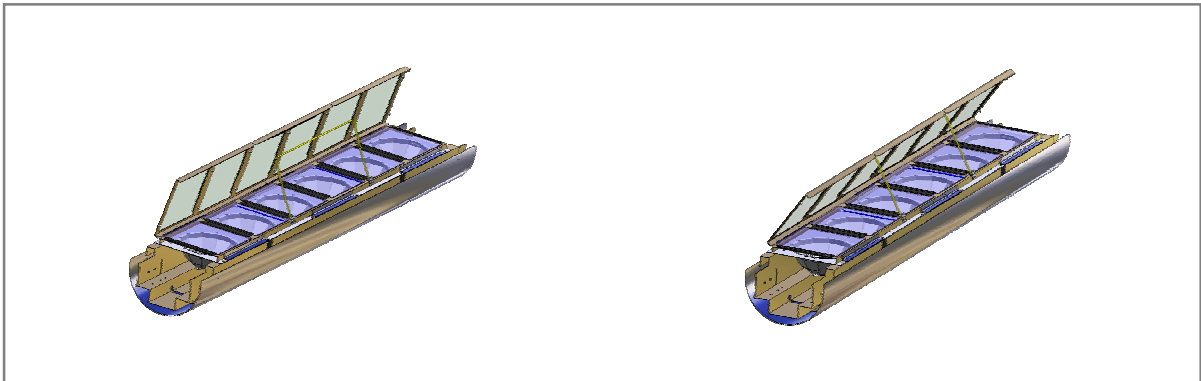
It is absolutely forbidden to use unapproved spare-parts, in particular: filter-glass, acrylics, parabolic reflectors, emitters (UV lamps), ballasts and power supplies. The changing of just one of these components will alter the irradiating system which the machine's testing and certifications are based on, and will therefore jeopardize its safety.

The non-compliance with the above requirement will exonerate the manufacturer from any responsibility and the warranty on the machine will become voided.

6.0 CLEANING

Before carrying out any cleaning, disconnect the machine from the power supply source by switching off machine's and installation's circuit breaker.

- For cleaning the external structure, use a soft and slightly damp cloth. Never use gasoline, chemical solvents, thinners and their derivatives.
- For cleaning the external acrylics, use a damp sponge with a mild soap. Never use alcohol or similar products.
- For cleaning the blue filter glass, use water or any detergent (e.g. glass detergents, alcohol). Cleaning must be carried out periodically. **MAKE SURE** that filters are correctly installed after cleaning.
- For cleaning the parabolic reflectors and UV emitters (lamps), use a dry brush or cloth and don't touch the lamps. If you do then be sure to wipe your fingerprints off with alcohol.
- **DO NOT** let water go inside the ventilation openings on top of the head part or through the slots of the doors and covers protecting the structure.
- Make sure that all machine's closures and covers are properly closed after cleaning.
- Keep the air inflow and outflow grilles for lamps cooling always clean and free of hair, dust or any object.
- Make sure the air exhaust pipe is securely installed on the machine, make sure the pipe outlet is always clean and free of dust or any other objects that could obstruct air outflow.



7.0 SUGGESTIONS AND TROUBLE-SHOOTING

Always disconnect the machine from the power source before carrying out any check.

- To check whether lamp is defective, substitute it for another.. Never touch it with the hands.
- Make sure that all machine's closures and covers are properly closed after any check.
- Don't put any object on the machine and never cover the air inflow and outflow grilles.
- Never look, for any reason, at the white light visible from the ventilation grilles or when opening the screen.
- Replace the lamps, every 500-600 hours of use. Replace blue glass and acrylics every 1200-1500 hours of use.
- When a failure occurs, we recommend to always call the local authorized service center.

Defect	Possible cause	Solution
intense white light	filter-glass broken filter-glass out of place	replace filter-relace reposition filter-glass and check gasket
displays are off	no voltage main circuit breaker switched off emergency pushbutton depressed keyboard flat cable detached panel circuit breaker switched off	verify internal and external circuit breakers reset circuit breaker check emergency pushbutton check cable connection reset panel circuit breaker
machine doesn't tan	filter-glass dirty, lamps expired parabolic reflectors dirty	clean filter-glass replace lamps clean parabolic reflectors
machine circuit breaker trips	machine failure emergency pushbutton depressed safety timer setting	call authorized service check emergency pushbutton verify safety timer setting
machine in operation lamps are off	lamps hot lamps exhausted lamp broken	let cool down 5 minutes replace lamps replace lamp
one or more lamps are off	lamp broken lamp ballast broken no power supply phase lamp fuse blown	replace lamp replace lamp ballast check power supply phase replace lamp fuse
machine overheating	cooling fan broken air inflow or outflow grilles obstructed supply voltage too high ambient room temperature too high	check ventilation and fan clean grilles and exhaust hoses verify voltage between 220-230V provide cooling to room

8.0 TECHNICAL CHARACTERISTICS

8.1 VELOCITY 918HP



Overall rated power:	18,900 VA
Lamps make-up:	2 x 600 W 12 x 800 W 4 x 1000 W

General characteristics

Input voltage:	220 – 230 V AC
Frequency:	50 / 60 Hz
Type of current:	three-phase
Lamps cooling airflow capacity:	1500 cm/h per column
Type of UV emitter (lamp):	OH 50 – 100 HERAEUS
Type of blue filter:	WBF1 – WBF3 270x270 mm
Type of UV filter and protection against impacts (lamps screen):	Molded acrylic
Type of parabolic reflector:	Whitesun
Overall dimensions in inches:	width 63 – height 100
Timed operation in minutes:	see instructions and table for exposure time
Weight	approx. 800 kg
Insulation class:	I

The machine is equipped with:
 Mechanical safety timer for exposure time;
 Main circuit breaker with automatic release operated by emergency button.

WARNING

It is critical, for correct installation, that the efficiency of the grounding system is verified by an authorized firm. It is also required that the room where the machine is installed has an adequate air change.

The machine must not be installed in a damp or wet room.

The machine is equipped with an internal circuit breaker and is delivered **with no power supply cord**. When the machine is being installed, the electrician who carried out the electrical installation must connect the machine to the power line.

9.0 WARRANTY CONDITIONS

The conditions described below are essential conditions for the validity of the warranty.

The equipment is warranted for a period of 24 (twenty four) months from the date of installation.

The warranty will operate in case of replacement of parts of the equipment whose malfunction is exclusively due to workmanship defects.

The warranty does not cover expendable parts such as, for example, lamps, nor any components that become defective because of negligence or improper use.

In case the warranty will apply, the customer will only have to pay the cost of labor and the call fees, according to the effective price list.

The payment shall be made directly to the authorized service center that acted.

The customer must produce the fiscal document of the purchase as evidence of the delivery date.

When receiving the equipment, the customer takes note of its operation and use by reading the instructions contained in the manual, and undertakes to have the users comply with them.

Failure to observe this clause may void the warranty.

The user's manual and the warranty are an integral part of the machine.

For any dispute, the only competent court shall be the Court of Genoa.

IMPORTANT

Carefully read the user's manual before using the equipment.

The use of non-original spare parts cancels the efficacy of the warranty and entails the alteration of the machine's system, thereby jeopardizing its tested and certified safety.

Failure to comply with these fundamental rules will release the manufacturer from any liability.

The machine cannot work in rooms where temperature exceeds 80° F.

When the machine is energized it is strictly FORBIDDEN to open the covers and doors providing access to the electronic devices and lamps.

For the warranty of accessory and auxiliary devices such as radio, CD, loudspeakers, TV, VCR, please refer to the clauses and conditions issued by the respective manufacturers.

COMPULSORY CONDITIONS FOR THE INSTALLATION OF THE MACHINE

It is absolutely compulsory for the purchaser requesting this equipment to observe the following requirements:

Technical inspection by a qualified firm to determine whether the grounding system to which the machine will be connected is in perfect operating condition.

Before using the equipment, carefully read all the information and the instructions contained in the user's manual delivered with the machine;

The manufacturer shall not be liable for any malfunction of the electrical installation, of the internal circuit breaker, for the grounding system's inefficiency or for the incorrect installation of the machine.

9.1 STATEMENT OF COMPLIANCE

STATEMENT OF COMPLIANCE 73/23/CEE and 93/68CEE

CE

This equipment satisfies the safety requirements set forth by
Directive 83/392 EMC
since it is constructed in compliance with harmonized standards.

**We draw the attention on the following facts that may jeopardize the compliance
as well as the characteristics of the equipment:**

**WRONG POWER SUPPLY
WRONG INSTALLATION
IMPROPER USE
REPLACEMENT OF COMPONENTS OR ACCESSORIES WITH OTHER NON-APPROVED TYPES
ACTIONS OR TAMPERING CARRIED OUT BY NON-AUTHORIZED PERSONNEL**

**Whitesun S.r.l.,
with head office in Via Filippo da Recco 21/D, 16036 Recco (Ge) Italy, Tel. 0185722722 Fax
0185722735**

declares under its own exclusive responsibility that the product:
Equipment for ultraviolet radiation tanning

Equipment model:

- VORTEX Body Up (924HP)
- VORTEX Shower Up (924VHP)
- VELOCITY Body Up (918HP)
- VELOCITY Shower Up (918VHP)

Serial #

to which this statement refers to, complies with following standards:
EN 60335-1 / EN 60335-2-27 and subsequent amendments; CEI EN 61-50 and subsequent amendments

In accordance with the requirements set forth by following directives:
73/23/CEE - 93/68/CEE - 85/374/CEE - 89/336/CEE

Date: September 16, 2003

Whitesun S.r.l

The form of this statement complies with the requirements set forth by standard EN 45014.