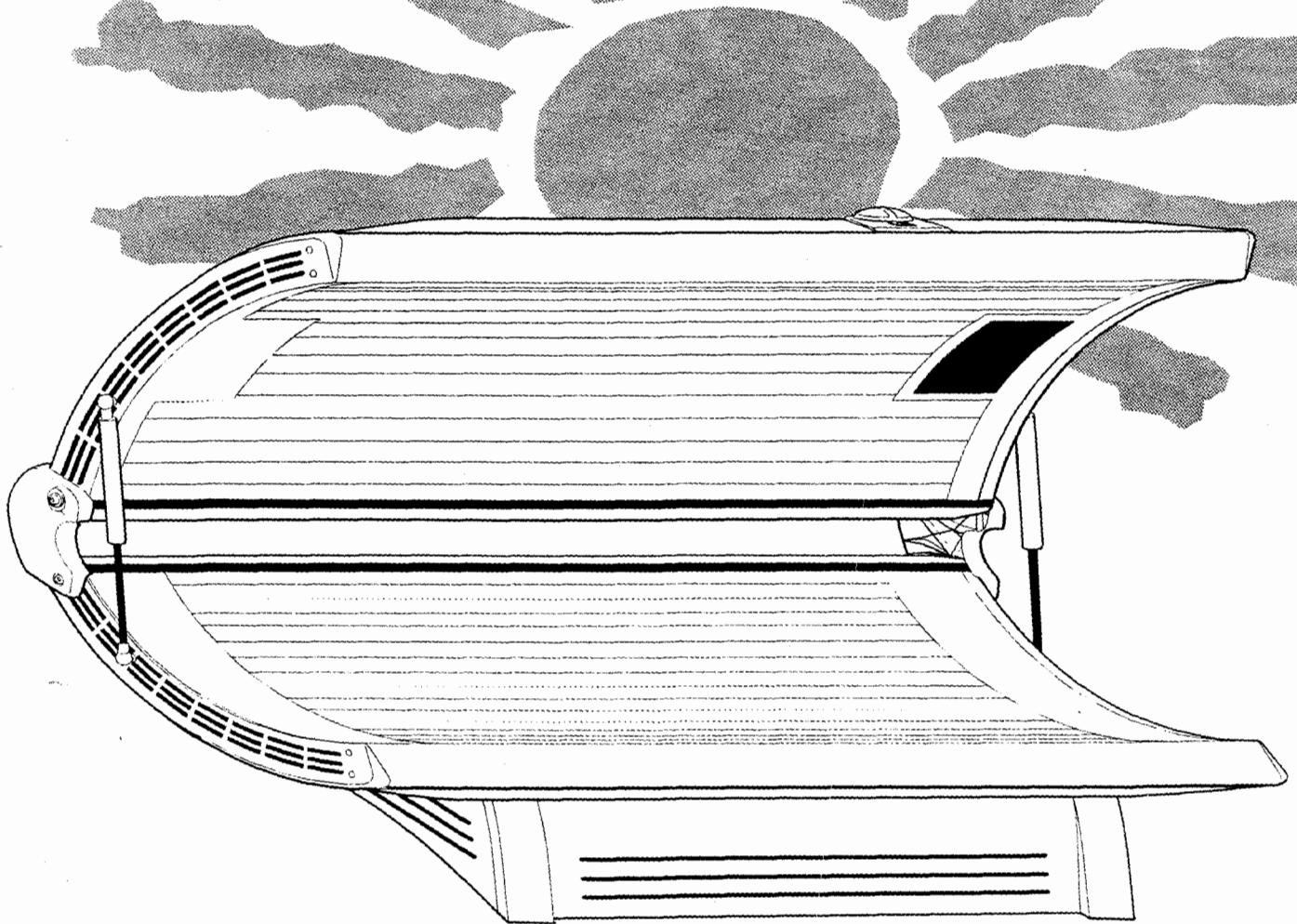


# SUNVISION<sup>®</sup>



**MODELS PRO 24S / 24SF / 24ST  
USER GUIDE**

22676C



Congratulations on your purchase of this technologically advanced sun tanning unit. It has been designed to provide years of dependable service for you.

Please read all the instructions in this booklet before installing and using the unit. Always be sure to observe all safety precautions.



**Safety Information** ..... *iii*

**Installation** ..... **1**

    Unpacking and Inspection ..... 1

    Tools Required ..... 2

    Pre-Installation Planning ..... 3

    Assembly Procedures ..... 4

    Making Electrical Connections ..... 10

**Operation** ..... **11**

    Before You Tan ..... 11

    Exposure Times ..... 11

    Using Your Sunbed ..... 12

**Care and Maintenance** ..... **13**

    Cleaning After Use ..... 13

    Thorough Periodic Cleaning ..... 13

    Mechanical Inspection ..... 13

    Replacing Lamps ..... 14

    Timer Maintenance ..... 17

**Troubleshooting** ..... **18**

**Obtaining Service** ..... **back cover**



# Installation

---

## Unpacking and Inspection

Your sunbed comes in two cardboard cartons, one for the bench and one for the canopy or top deck. Open the cartons and remove the bench and canopy as follows.

The bench and canopy are each wrapped in plastic. Pull back the plastic and, with a helper, grasp the bench and pull it from the carton bottom, leaving the plastic wrap and the carton packaging. Do the same for the canopy. Do not try to lift either unit with the plastic still on as it may slip.

**Note!** The cartons are reusable, in the unlikely event that you may find it necessary to return your sunbed.

The canopy box contains the canopy unit and a pair of gas springs. The bench box contains the following items:

- Bench Unit
- Front and side skirts with mounting screws
- Box containing necessary assembly hardware, remote bypass, safety goggles, and pillow
- Box containing two stand legs

Inspect these items, including the canopy and bench, and make sure they are free from any visible damage. Report the extent of any damage to the transportation company.

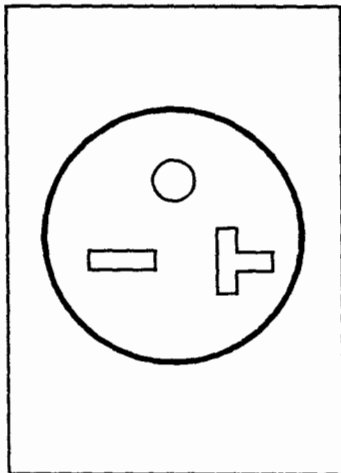
Record the serial numbers of the canopy and bench in the area provided at the back of this manual. This information will be required whenever you call customer service.



## Pre-Installation Planning

Before you begin to assemble your sunbed, you should observe the following pre-installation considerations.

- Your sunbed operates from a 220V AC source. You should have a NEMA 6-20R electrical outlet (like the one shown below) installed in the room in which you will use the unit. The outlet should be on a dedicated circuit capable of providing 20 Amp service. We recommend installation by a professional electrician. The outlet must be earth grounded.
- Make sure the room in which you intend to use your sunbed is well ventilated. Air from the room is used to cool the sunbed, and a poorly ventilated room may cause the unit to become hot and cause discomfort to the user.
- Your sunbed is designed to operate in an ambient room temperature of 80°F maximum and 70% relative humidity.
- Place your sunbed no closer than 6" from any wall. Make sure that curtains, drapes, and other room furniture do not obstruct the airflow into the end caps or out of the fan opening areas.
- Proper assembly of your sunbed requires three people. Plan to have a couple of helpers assist you.



**20 AMP NEMA #6-20R RECEPTACLE  
REQUIRED FOR 24S SERIES**

### **IMPORTANT!**

Use of a voltage source above 230V AC may prevent proper operation of the sunbed and could cause damage and void the warranty.

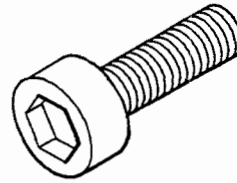


## Assembly Procedures

### Hardware Inventory

Use the utility knife to cut open the hardware box and remove the small bag of hardware. In addition to a small Allen wrench and pillow, make sure you have the following hardware items.

NOTE: The larger 5/16" metal washers and six 5/16" Allen-head bolts may be pre-installed in the bottom of the bench.



**Allen-head Bolt**  
5/16" x 1"  
Quantity 8



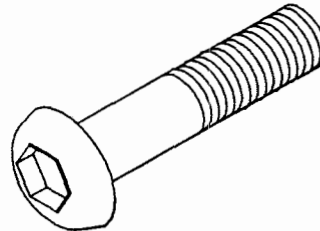
**5/16" Metal Washer**  
Quantity 6



**5/16" Metal Washer**  
Quantity 2



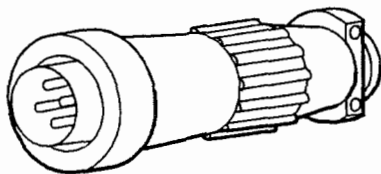
**Bushing**  
Quantity 2



**Allen-head Bolt**  
5/16" x 1 1/2"  
Quantity 2



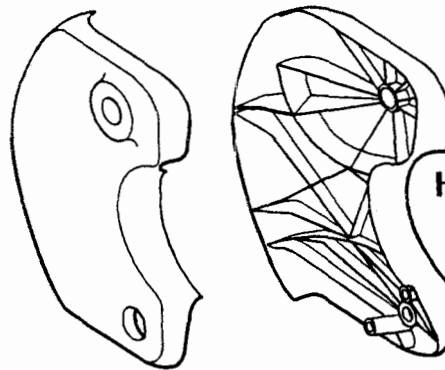
**Nylon Washer**  
Quantity 2



**Remote Bypass**  
Quantity 1



**Safety Goggles**  
Quantity 1



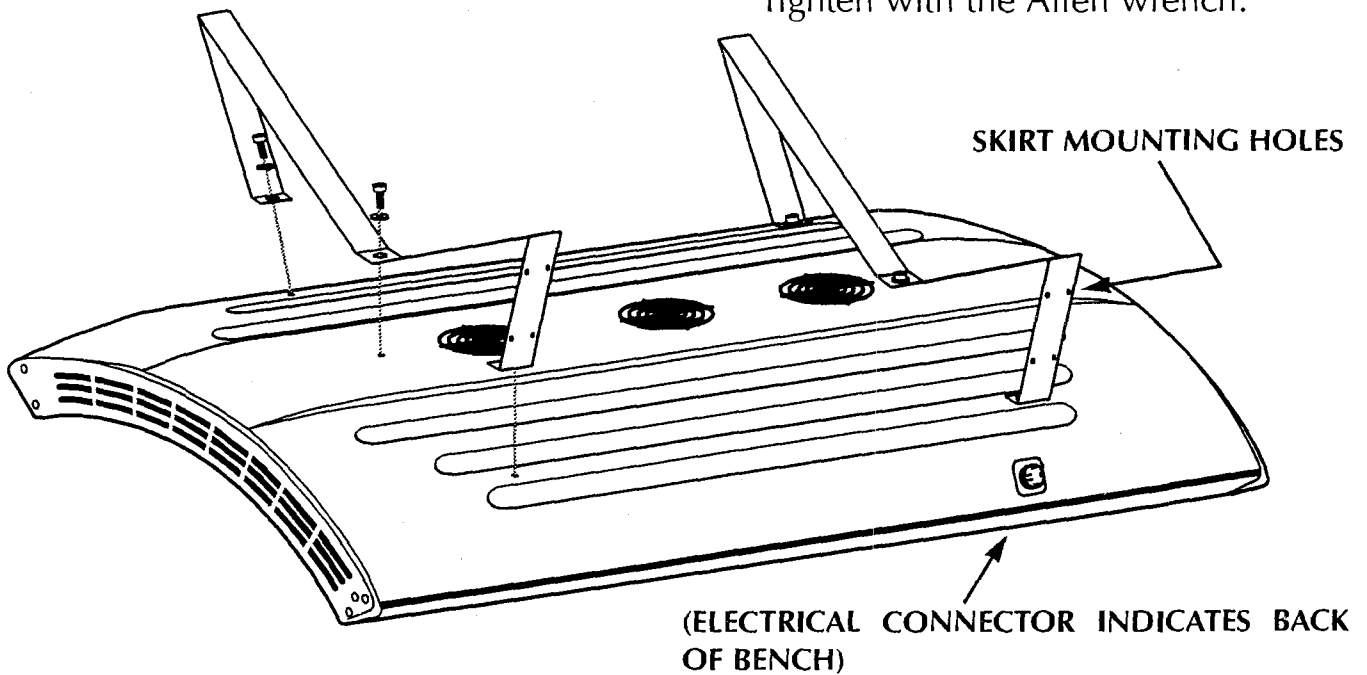
**Hinge Brackets**  
Quantity 2  
(left and right)



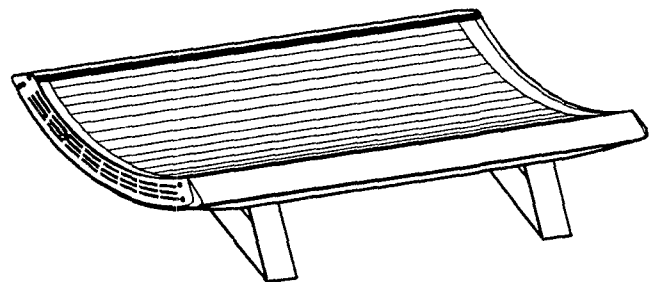
### Attaching Legs to Bench

Lay the bench upside down on the floor. Locate the two stand legs and attach to the bench as shown below.

1. Using six  $5/16'' \times 1''$  bolts and the six larger  $5/16''$  washers (may be pre-installed), attach the stand legs with the skirt mounting holes toward the back of the bench as shown. Install center bolt first. You may have to gently push sides of legs in to align holes. Tighten with the Allen wrench.



2. Turn bench right side up on floor. Place so that the electrical connector is facing toward the wall outlet.





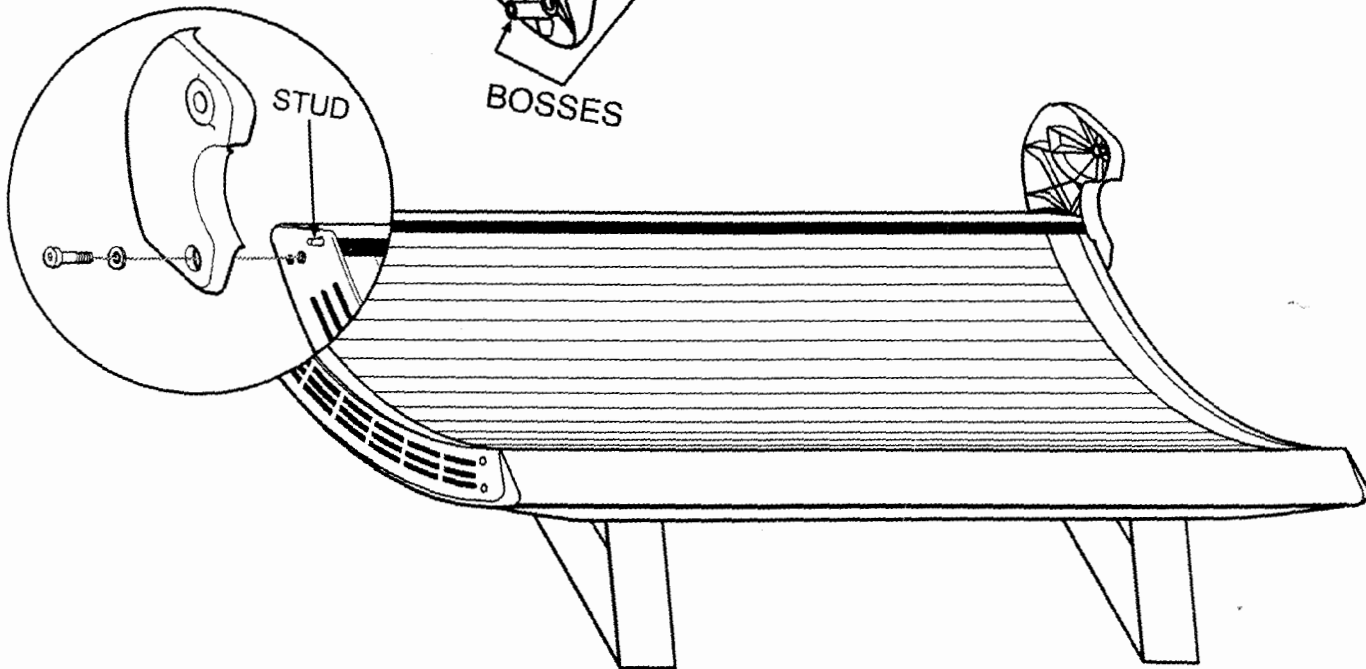
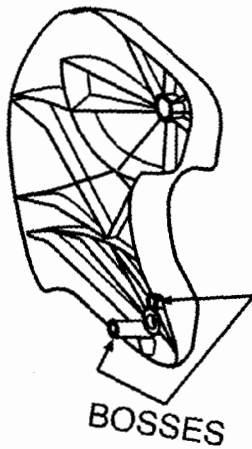
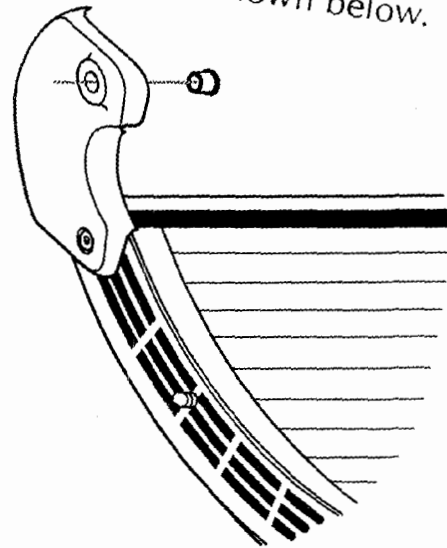
## Installation - Assembly Procedures

### Attaching Hinge Brackets to Bench

Locate the two hinge brackets and identify the left and right brackets.

1. Install the hinge brackets to the ends of the bench such that the short boss engages the stud above the bolt hole, and the long boss engages the hole below the bolt hole. Secure using the 5/16" x 1" Allen-head bolts and 5/16" metal washers. Tighten bolt snug, then an additional half turn.

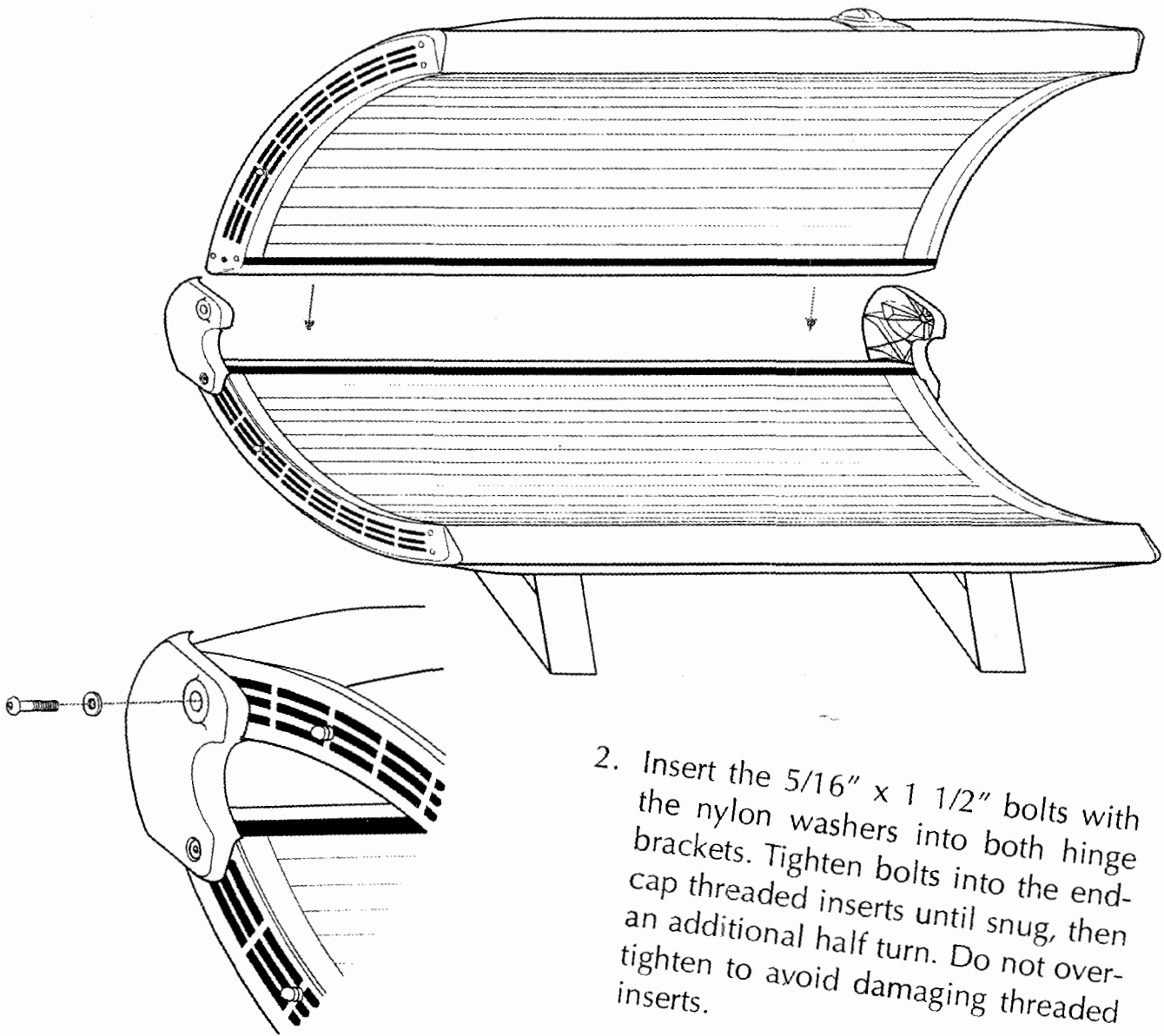
2. Place the bushings into the hinge brackets as shown below.





### Attaching Canopy to Bench

1. Lift the canopy and hold it between the hinge brackets. You may want to use some of the cardboard packing, laid across the bench, to support the canopy.



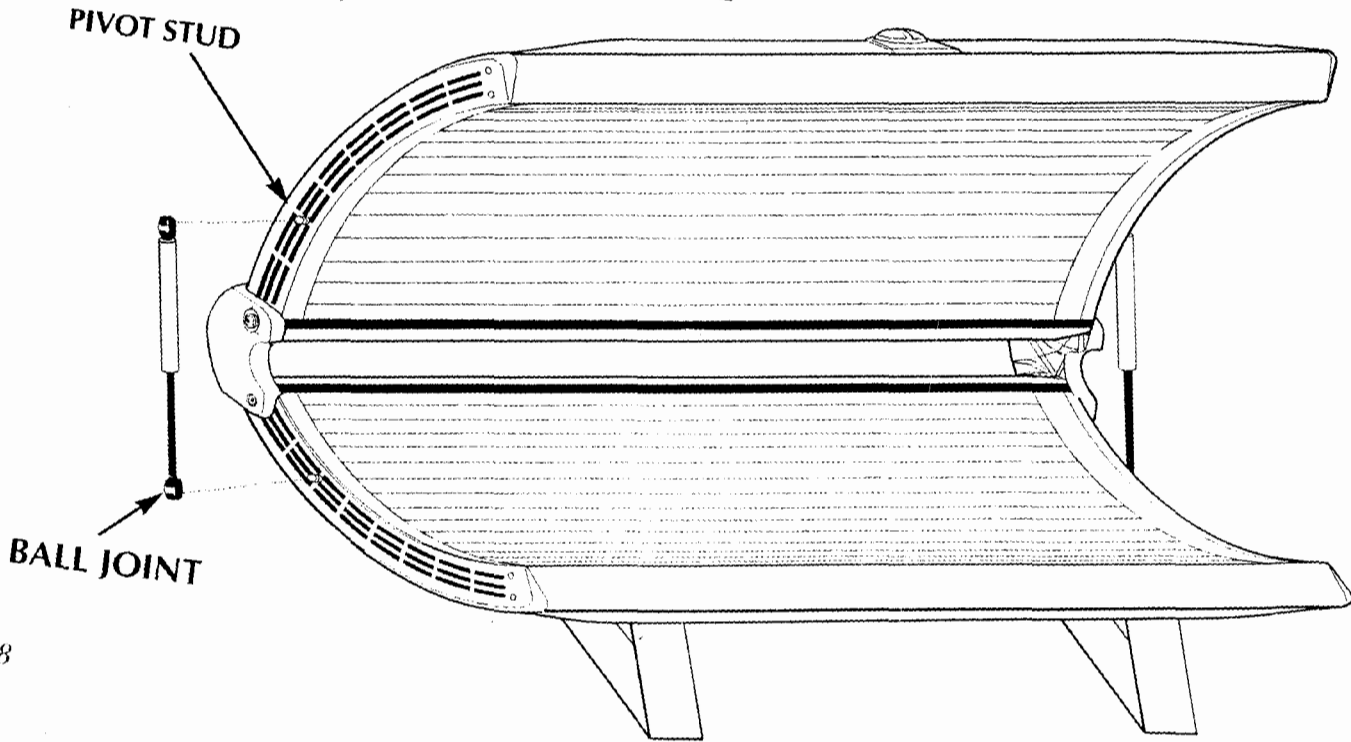
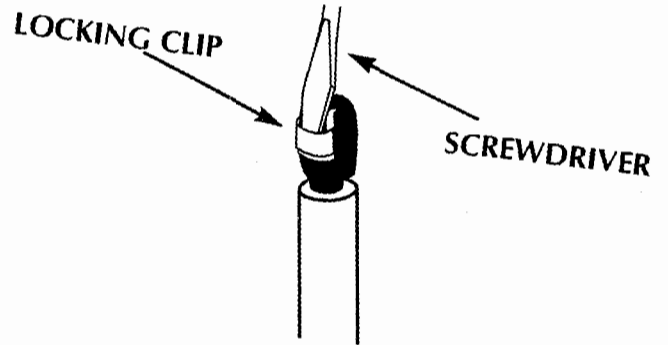
2. Insert the 5/16" x 1 1/2" bolts with the nylon washers into both hinge brackets. Tighten bolts into the end-cap threaded inserts until snug, then an additional half turn. Do not over-tighten to avoid damaging threaded inserts.





### Attaching Gas Springs

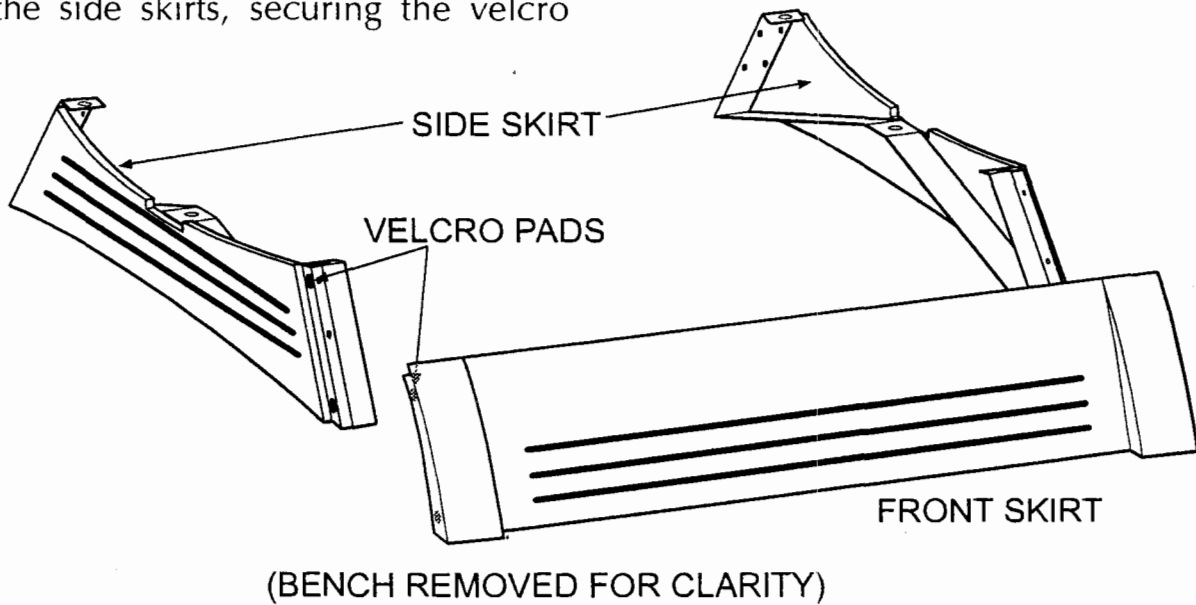
1. The gas springs are shipped with locking clips installed. Use a screwdriver to pry back the locking clips on the gas springs as they are installed. (See right)
2. With a helper holding the canopy open, align open ends of gas spring ball joints with pivot studs and push into place. Be sure rod end is down as shown. DO NOT lower canopy until both gas springs are engaged! Failure to engage locking clips may result in the ball joints working loose, allowing the canopy to fall, which may cause serious injury!
3. Lift and lower canopy a few times to lubricate gas springs for optimum performance.



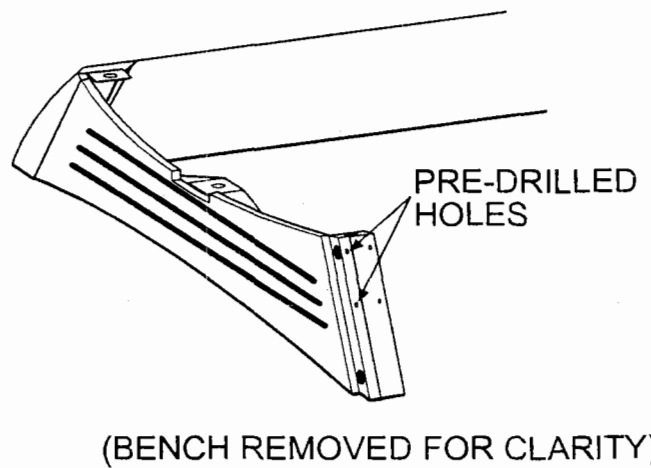


### Assembling Skirt

1. Position the side skirts at either end of the base, with the velcro pads toward the front of the sunbed. Snap the front skirt over the side skirts, securing the velcro pads.



2. Install two #8 x 1/2" screws through the pre-drilled holes of the side skirt into the back of the leg support. Repeat for the other side skirt.





## Before You Tan

Before using your sunbed, please note the following important precautions.

- Your skin should be free of cosmetics, tanning oils, or other body lotions prior to tanning except for those specifically made for use with tanning devices. However, do not remove natural body oils by bathing or showering immediately before tanning.
- Your hair should be free of gels, mousses, sprays, or other hair products prior to tanning. These products can cause damage to the sunbed acrylic. As an alternative, a shower cap or towel can be worn to keep treated hair away from the sunbed surfaces.
- As with all electrical appliances, **do not operate this device near water or while you are wet.**
- Some medication may **increase your sensitivity** to ultraviolet light. It is recommended that you consult a physician before using this sunbed if taking any medication or if you suspect that your skin might be especially sensitive to sunlight. Included with this manual is an FDA booklet on medications that increase sensitivity to light.

## Exposure Times

Follow the guidelines for skin type and exposure times as shown in the table below. Untanned persons should not tan on consecutive days during their first week of tanning. Never tan more than once a day. Tanning normally appears after the first few sessions and maximizes after approximately four weeks. Tan once or twice per week thereafter to maintain appearance. Persons already having a base tan may begin at advanced levels corresponding to the extent of their base tan.

RECOMMENDED EXPOSURE TIMES IN MINUTES		MAXIMUM EXPOSURE TIME IS 20 MINUTES				
Skin Type:		Level 1/Week 1 1st-3rd Sessions	Level 2	Level 3	Level 4	Subsequent Maximum
I Sensitive Skin	(Burns easily and severely and does not tan.)	NOT RECOMMENDED FOR TANNING				
II Light	(Burns easily and severely and tans minimally.)	4	8	12	16	20
III Normal	(Burns moderately and tans average.)	6	10	15	20	20
IV Dark	(Burns minimally, tans easily and above average.)	8	12	16	20	20

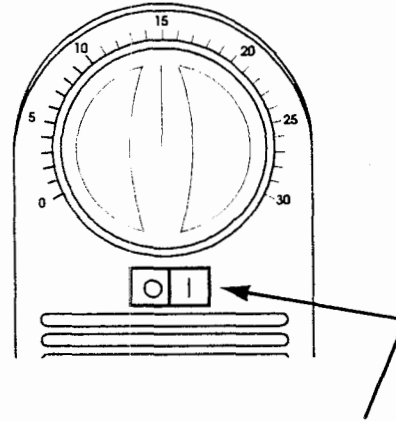


## Using Your Sunbed

Once you have read *Before You Tan* and *Exposure Times*, you are ready to use your sunbed. Proceed as follows.

**WARNING!** Your sunbed is designed for individual use. Only one pair of protective goggles is provided. **Always** wear these or another approved pair of goggles. Regular sunglasses **do not** provide adequate protection from ultraviolet light. You should never look at the lamps when turned on without wearing the appropriate protective goggles.

- Step 1** For units equipped with a face tanner, activate the face tanner by placing the rocker switch, located next to the timer knob, into the "I" (ON) position. If you do not wish to use the face tanner, leave the switch in the "O" (OFF) position. **NOTE!** The F model face tanner lamps need a longer after-use cooling period before they will light again.
- Step 2** Put on your goggles. Set the timer to the desired number of minutes (after first determining the proper time period from the



FACE TANNER ROCKER SWITCH

table on the previous page). The lamps will turn on as soon as you move the rotary dial from the "0" position.

- Step 3** Lift the canopy, lie down on the bench (face up), and lower the canopy toward your body. For best results, position the canopy as close as possible to your body, but **do not bring the canopies with face tanners any closer than 1 inch from your body.**
- Step 4** When the timer reaches 0, the lamps will automatically turn off. The cooling fans run for approximately 3 minutes during the cool down period.



## Care and Maintenance

---

### Cleaning After Use

Clean and disinfect your tanning bed's bench and canopy after each use. Use a non-abrasive disinfectant cleaner that **does not contain ammonia or ammonia derivatives**. Ammonia may damage the acrylic shields. Spray the acrylic lightly with disinfectant and wipe dry with a clean soft cloth. We recommend SunQuest® disinfectant and SunQuest® acrylic cleaner.

### Thorough Periodic Cleaning

#### Introduction

The cooling fans draw air through the bed and over time will cause a dust buildup on the lamps and reflectors. This will reduce the tanning effectiveness of the bed. When a dust buildup is observed, it is necessary to thoroughly clean the inside of the bench and canopy. **Warning!** Disconnect sunbed from electrical power before cleaning.

#### Cleaning the Canopy and Bench

- Step 1** Remove the acrylic shields and lamps as described in *Replacing Lamps*.
- Step 2** With a soft cloth, wipe the entire length of each lamp to remove any film buildup.

- Step 3** Clean both sides of the acrylic shields with a non-ammonia disinfectant cleaner.
- Step 4** Wipe the reflectors with a clean damp cloth.
- Step 5** Reinstall the lamps and acrylic shields.

### Mechanical Inspection

Your tanning bed has been built for years of service. The bench is equipped with an hour counter which keeps track of usage time. To ensure trouble-free operation throughout its life, inspect the unit's mechanical integrity every 400-500 hours of use.

- Inspect the unit's fasteners verifying that all are firmly in place. Pay particular attention to the hinge bolts.
- Inspect gas springs for signs of wear. Gas springs that will not hold the canopy in the full open position when raised should be immediately replaced.
- Inspect the timer as indicated in this manual under *Timer Maintenance*.
- Inspect the AC power cord and its connections.
- Inspect the acrylic. Broken, cracked or badly scratched acrylics should be immediately replaced.



## Replacing Lamps

### Introduction

To be assured of maximum tanning effectiveness, change lamps after approximately 800-1000 hours of use. Tanning will continue after this time but at a slower rate. To ensure trouble-free operation of your sunbed, replace the lamp starters whenever the lamps are replaced.

**Warning!** Disconnect sunbed from electrical power before servicing.

### Removing/Replacing Acrylic Shield

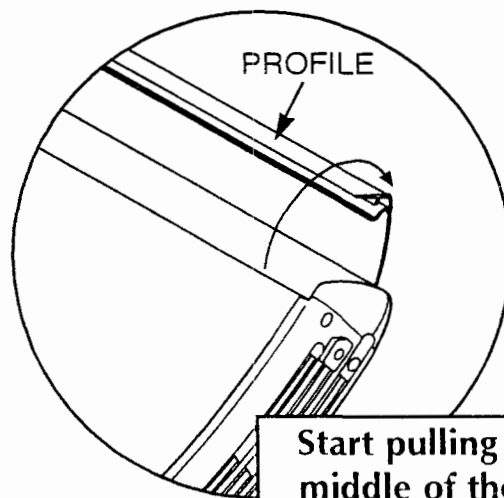
The acrylic shields in the bench and canopy are secured in place by hinged profiles which run the length of the bed, both front and back. Simply pry up on the inside edge of the profile, starting from the middle of the profile, until it releases its latching action (see figure at right). Continue to pry up the profile across its entire length until it swings back freely. Repeat for the other profile. The long edges of the acrylic shield are now exposed.

Standing in front of the sunbed, grasp the exposed edge of the acrylic and carefully slide it toward you until it is removed.

After changing the lamps, replace the acrylic shields by reversing the above directions. Close the hinged profile by pushing it back into place until it snaps tight.

#### NOTE!

Be careful. The edges of the acrylic shield may be sharp.



Start pulling from the middle of the profile!



**Removing/Replacing Lamps**

After removing the acrylic shields, replace lamps as follows.

**Step 1** Grasp a lamp at one end and at the middle, then turn the lamp a quarter turn. The lamp may then be gently removed from its holder.

**Step 2** To reinstall a lamp, insert the pins located on the ends of the lamp into the slots on top of the lamp holder and turn the lamp a quarter turn.

**Recommended Replacement Lamps**

We recommend using the lamps specified below. Use of uncertified lamps is a violation of Federal regulations and will void your warranty. These lamps have an average life of 800-1000 hours of effective tanning use. Lamps used longer than that begin to lose their effectiveness even though they will continue to light.

Only the following lamp types have been certified for use in **SUNVISION®** Tanning Beds

**Pro 24SF**

Application	Lamp Model Number
Canopy and Bench	Diamond Sun® S Wolff® Model DSS59-T12-080W, and Diamond Sun® S Wolff® Model DSS71-T12-100W
Facial Unit	Philips Model HPA 400/30s, or CosmoTech Model 23045, or Model 20046

**Pro 24ST**

Application	Lamp Model Number
Canopy and Bench	Diamond Sun® S Wolff® Model DSS71-T12-100W PREHEAT BIPIN
Turbo Face Tanner	Turbo Sun™ S Wolff® Model F8-T5-10W

**Pro 24S**

Application	Lamp Model Number
Canopy and Bench	Diamond Sun® S Wolff® Model DSS71-T12-100W PREHEAT BIPIN



### Removing/Replacing Face Tanner Lamp on F Models

After removing the canopy acrylic shield, replace the face tanner lamp as follows:

**Step 1** Support the face tanner assembly with your hand while unscrewing the two retaining screws. The face tanner glass casing will swing downward.

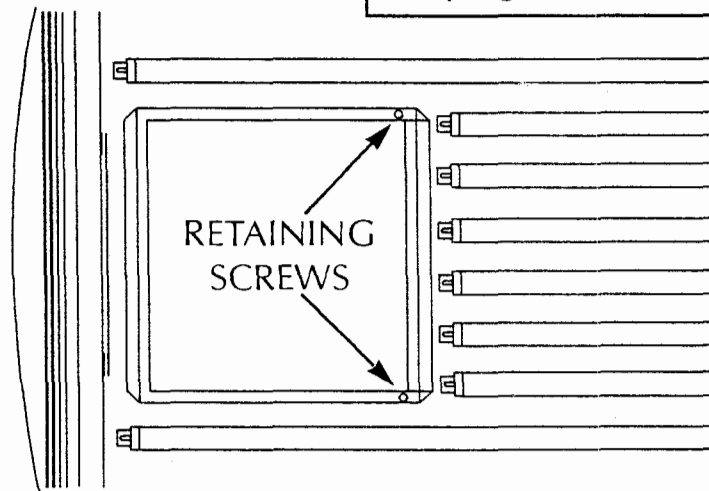
**Step 2** The lamp can now be exchanged. The lamp holders are equipped with spring contacts which enable the lamp to be removed easily. Remove the old lamp and discard. Install the new lamp, using a clean cloth or paper towel. Ensure that the lamp is firmly seated in the lamp holders.

**Note!** Never take hold of the lamp such that your fingers are in contact with the lamp glass. Finger oils will greatly reduce the lamp's operational life.

**Step 3** Gently close the face tanner glass casing and lock it closed with the screws. Ensure that the screws firmly secure the glass casing.

#### WARNING!

Never turn the equipment on while the face tanner is disassembled or when the glass filters have been removed. The direct light can cause severe injury to the eyes and other areas of the body. Immediately discontinue use of this equipment if the face tanner glass is broken or if any unfiltered light can be seen escaping the face tanner assembly.







## Timer Maintenance

Your SUNVISION® sunbed is equipped with a backup shut-off timer which will automatically turn off the sunbed in the unlikely event of a malfunction of the primary timer. This important safety feature also prevents the user from resetting the timer before the end of the pre-set maximum time interval. The electronic timer limiting circuit is automatically reset each time the primary timer is turned to the OFF position.

Annually, or whenever your sunbed is re-lamped, check the operation and accuracy of the timer system as follows. DO NOT perform these tests with a person in the sunbed.

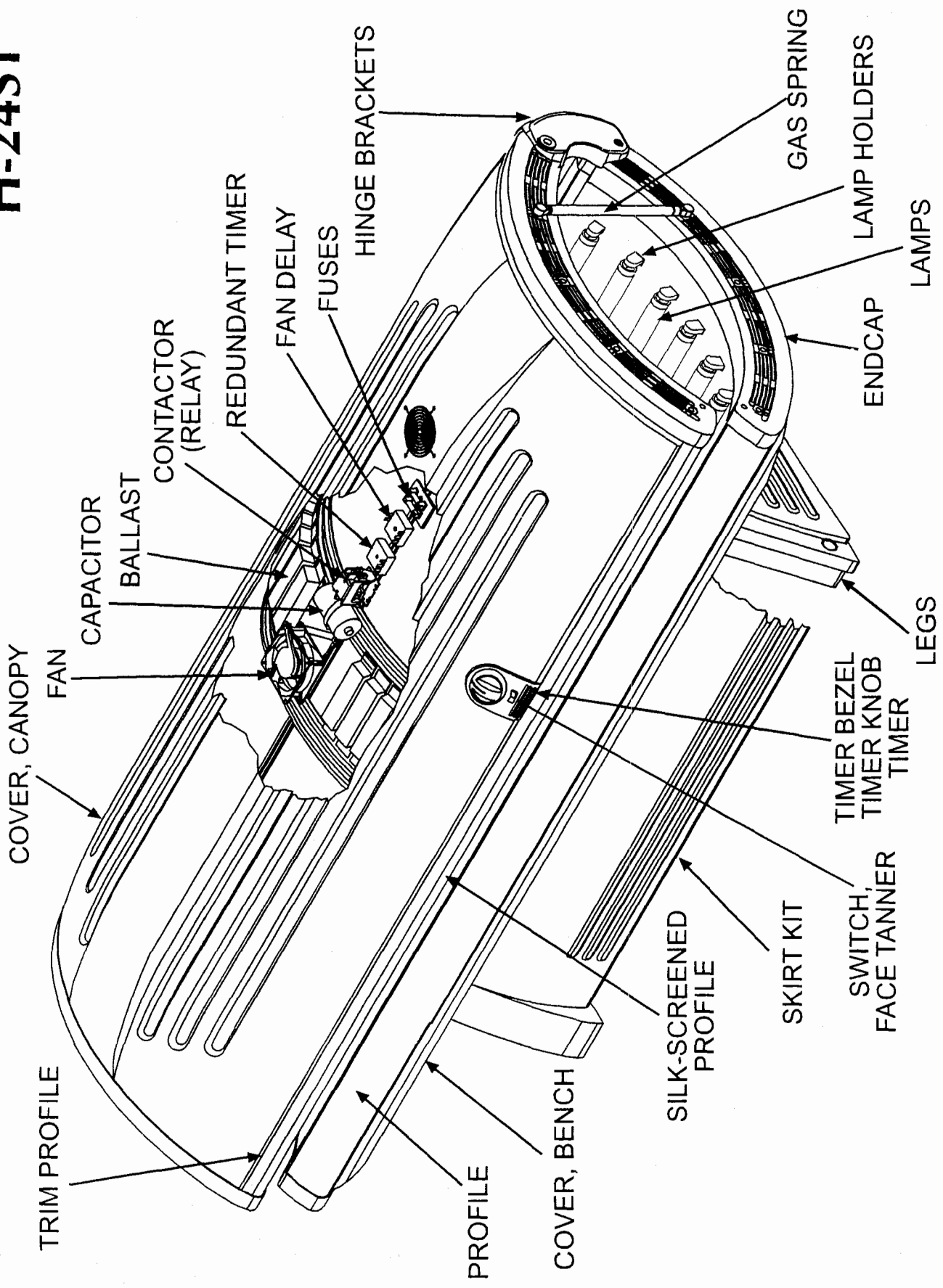
**Step 1** Obtain an accurate watch capable of measuring in seconds. Set the timer to its maximum interval. Using the watch, time how long the lamps remain on. The lamps should shut off within plus or minus 10% of the maximum timer interval.

**Step 2** Set the timer to the maximum time interval. Wait ten minutes, then turn the knob back to the maximum time position. The electronic time limiting circuit should turn the lamps off at an elapsed time equal to approximately 10% beyond the maximum timer interval, even though the primary timer continues to show time left.

Call ETS Customer Service if your timer does not operate properly, or if you experience difficulty with these tests.

<i>Problem</i>	<i>Solution</i>
Lamps fail to light	<ol style="list-style-type: none"> <li>1. Check source of AC power. Reset circuit breaker or replace fuse if necessary.</li> <li>2. Make sure the unit is plugged into outlet.</li> <li>3. Make sure cord between canopy and bench is properly connected.</li> <li>4. Make sure remote bypass is installed, or remote system is working.</li> <li>5. Check remote system fuses. Fuses are located under the canopy cover, above the power cord bracket.</li> <li>6. Make sure timer dial is turned to a number past 0.</li> </ol>
One or more lamps fail to light	<ol style="list-style-type: none"> <li>1. Check that lamp is installed correctly.</li> <li>2. Switch unlit lamp with a lamp that lights. If the new lamp lights and the old lamp still does not, replace old lamp.</li> <li>3. If replacing lamp does not remedy problem, contact your service representative.</li> </ol>
Canopy fails to stay in the up or down position	<p>Gas springs should hold the canopy fully open as well as allow it to rest fully closed. If the canopy is left open for an extended period of time it may creep down. This is considered normal. Keep the canopy closed when not in use. Replace gas springs when they no longer have sufficient power to hold the canopy open when raised.</p>
Sunbed does not stay lit	<ol style="list-style-type: none"> <li>1. Check source of AC power. Reset circuit breaker or replace fuse if necessary.</li> <li>2. Check timer system per maintenance instructions in this guide. Contact your service representative.</li> </ol>

# H-24ST



CALL FOR SERVICE OR  
QUESTIONS:

1•800•228•6292



6270 Corporate Drive  
Indianapolis, IN 46278-2900

7