

# SunQuest

**USER'S MANUAL**

**TECHNICAL MANUAL**

Assembly, programming and service manual

**SUNQUEST ZX41**

document: TMBQ104

art.:382202

init: 9302

rev.: 9407

# INDEX

## **General user's manual**

---

Introduction	6
Warranty information	6
Instructions for use	7
Care and maintenance	8
Service hints	9

## **Assembly and service manual**

---

Assembly parts	11
Assembly	12
Coin box	14
Operating	14
Body cooler	16
Acrylic sheet	16
Parts	17
Sizes	18

## **Programming manual**

---

## **Service data manual**

---

# GENERAL USER'S MANUAL

**LABELLING NOTICE:** Labels are affixed on all systems to inform the user of possible dangers. Regulations are stated in Section 21 CFR, Section 1040.20, and require that all electrical installations of products manufactured after September 8, 1986, which use sunlamps must display the following:

**DANGER** - Ultraviolet radiation. Follow instructions. Avoid overexposure. As with natural sunlight, overexposure can cause eye and skin injury and allergic reactions. Repeated exposure may cause premature aging of the skin and skin cancer. **WEAR PROTECTIVE EYEWEAR; FAILURE TO DO SO MAY RESULT IN SEVERE BURNS OR LONG-TERM INJURY TO THE EYES.**

Medications or cosmetics may increase your sensitivity to the ultraviolet radiation. Consult physician before using sunlamp if you are using medications or have a history of skin problems or believe yourself especially sensitive to sunlight. If you do not tan in the sun, you are unlikely to tan from the use of this product.

Minimum use distance is 1 inch or 2.54 centimeters. Tanning may appear after one application, provided that your skin is capable of developing a suntan. Allow 48 hours between sessions to obtain a base tan, once or twice per week to maintain appearance.

Recommended Exposure Times (Minutes)	Skin Type:	Week:	1	2	3	Maximum
I-	Sensitive Skin (Burns easily and severely and does not tan)					NOT RECOMMENDED FOR TANNING
II-	Light (Burns easily and severely and tans minimally)		2	4	6	8
III-	Normal (Burns moderately and tans average)		4	6	8	11
IV-	Dark (Burns minimally, tans easily and above average)		6	8	11	15

(ALL IN MINUTES)

**WARNING:** - Read the instructions booklet before using lamps - When using Bed, lie down on Bench and pull Canopy down until it will move no further. On Canopy only unit, lie down and pull Canopy down as far as adjustment will allow - Operation of this device below the recommended minimum distance for use may result in overexposure.

- Recommended eyewear: Provided eyeshields (Intrexco No. 5635/1s) or equivalent eyewear as defined under 21 CFR 1040.20 2(b) (6) - One pair of protective eyewear is furnished with this equipment and should be worn by all persons in the room when lamps are on - Disconnect power cord before attempting to clean, relamp, or engage in the maintenance of this product.

ONLY THE FOLLOWING LAMPS HAVE BEEN CERTIFIED FOR USE IN THIS EQUIPMENT:

Diamondsun Wolff Model 59T1280W                      Philips Model HPA 400/30s  
 Diamondsun Wolff Model 71T12100W                  (Facial unit, where applicable)  
 Diamondsun S Wolff Model 59T1280W  
 Diamondsun S Wolff Model 71T12100W

THIS PRODUCT IS IN CONFORMITY WITH PERFORMANCE STANDARDS FOR SUN LAMP PRODUCTS UNDER 21 CFR PART 1040.20

## INTRODUCTION

Congratulations on your purchase of this technologically advanced sun tanning unit. It has been designed to provide years of dependable service for you. Here are some helpful suggestions for installing and using your unit.

- ▶ Read all of the instructions in this booklet before using the unit.
- ▶ Operation of this device at less than the recommended minimum distance may result in overexposure.
- ▶ This solarium is designed for use by only one person at a time.
- ▶ One set of eyewear is furnished with this equipment. This type of protective eyewear should be worn by all persons in the room when the lamps are on.
- ▶ Use 3 wire electrical outlets when using this device. If an extension cord is necessary, use only 3 wire cords. Do not convert the power cord to a 2 wire cord.

## SUNQUEST® 5 YEAR LIMITED WARRANTY

### WHAT IS COVERED?

SunQuest warrants your tanning canopy to be free of **structural defects** for a period of 5 years from the date of purchase. SunQuest will repair or replace, **at their discretion**, any defect to structure which affects the performance of the unit.

For 6 months from the date of purchase, SunQuest will provide replacement parts that prove to be defective in material or workmanship.

Acrylic shields, fluorescent lamps and lamp starters are excluded from this warranty. Labor will be covered for 30 days from purchase date.

Normal wear, damage from misuse or abuse, damage incurred in transit or damage done by unauthorized repairs or modifications are not covered by this warranty.

### HOW TO OBTAIN SERVICE

All warranty service must be performed by an authorized service person. **If your tanning unit must be returned for service, all freight charges must be at your expense.** Contact your place of purchase for the address of the SunQuest Service Center nearest you. Proof of purchase is required to obtain warranty service.

### OTHER PROVISIONS

This warranty covers the first purchaser only. This warranty is void if the unit is modified in any manner from its original design.

This warranty gives you specific legal rights, and you may also have other rights which may vary from state to state.

## INSTRUCTIONS FOR USE

We recommend that you tan every other day until you have completed 7 sessions following the instructions for your skin type which are displayed on the unit. After you have acquired your base tan you should use this device once or twice a week to maintain your tan.

### PREPARE YOUR SKIN BEFORE YOU TAN

Your skin should be free of tanning oils or other body lotions prior to tanning except for those specifically made for use with tanning devices. Medications or cosmetics applied to your skin may increase your sensitivity to ultraviolet light. Consult a physician before using this tanning unit if taking any medication or if you believe yourself especially sensitive to sunlight. Do not remove natural body oils by bathing immediately before tanning. As with all electrical appliances, **do not operate this device near water or while you are wet.**

### USE PROTECTIVE EYEWEAR WHEN YOU TAN

The eye shields provided with the system must be used whenever the system is operating. Use only proper eye protection! Regular sunglasses do not adequately protect your eyes from ultraviolet light. Anyone else in the room while the unit is in operation should also wear eye protection.

### HOW TO USE

To obtain a tan, lie on the sun bench or under the sun canopy and, using both hands, lower the canopy toward your body. When your tanning session has ended, return the canopy to the up position before attempting to sit up. The best results can be obtained by bringing the canopy as close as possible to you.

*REMEMBER! - Do not bring the canopy closer than 1 inch to your body.*

*Do not touch the lamps while the unit is operating.*

### OPERATING CONDITIONS

Maximum Room Temperature: 80 degrees F

Maximum Humidity : 70%

Because air from the room is used to cool the tanning device the unit may become hot and cause discomfort to the user in a poorly ventilated room. Make sure that you use this unit in a well ventilated area.

Do not cover the ventilation openings. This will cause the unit to overheat.

If any of the cooling fans do not work properly, turn off the whole system immediately and do not use until it is repaired.

### TIMER INFORMATION

To operate the tanning unit, set the timer to recommended number of minutes.

At the end of the preset time interval, the lamps will automatically turn off.

### RECOMMENDED EXPOSURE TIMES IN MINUTES

Skin Type:	Week:	1	2	3	Maximum
I- Sensitive Skin (Burns easily and severely and does not tan.)		NOT RECOMMENDED FOR TANNING			
II- Light (Burns easily and severely and tans minimally.)		2	4	6	8
III- Normal (Burns moderately and tans average.)		4	6	8	11
IV- Dark (Burns minimally, tans easily and above average.)		6	8	11	15

(ALL IN MINUTES)

## CARE AND MAINTENANCE

### CLEANING

**Unplug the unit before performing any maintenance!**

Disinfect the tanning bench after each use. Select a non-abrasive disinfectant that **CONTAINS NO AMMONIA AND NO ALCOHOL** because ammonia may cloud the acrylic shield. Spray the acrylic lightly with disinfectant and wipe dry with a clean soft cloth.

Occasionally, it is necessary to thoroughly clean your tanning device to ensure trouble free operation and to maximize its tanning efficiency.

The following procedures should be used when cleaning your unit:

1. Refer to the chapter entitled 'acrylic sheet' on how to remove the acrylic sheet.  
This should then be cleaned on both sides.
2. Grasp the lamp at one end and at the middle, turn the lamp clockwise until the dimple on the metal portion of the lamp aligns with the opening of the lamp holder. The lamp may then be gently removed from its holder.  
Gently wipe the entire length of the lamp with a damp cloth to remove any film build-up.
3. After all lamps have been removed, use a soft cloth and non-abrasive cleaner to wipe down the aluminium reflectors. Take care not to scratch them because scratched or damaged reflectors will reduce the tanning capability of this system.
4. Clean other parts of the device, as necessary, using a vacuum cleaner.
5. To re-install lamps, insert the pins located on the end of the lamps into the slot on top of the lamp holder and turn the lamp clockwise 90 degrees.
6. Fit the acrylic sheet in position and check that it has been properly secured.
7. Clean the fans with a clean, dry cloth or brush.

**Always unplug or disconnect the unit from the electrical power source before cleaning the unit or replacing the lamps!**

### LAMPS

The SunQuest is controlled by a micro-processor with several programmable functions. The micro-processor has, except for the programmable functions, a built-in registration of the number of burning hours of the bodylamps. Use this processor to determine when your tanning lamps should be replaced. To be assured of maximum tanning effectiveness, change lamps after approx. 800 hours of use. Tanning will continue for up to 1000 hours but at a slower rate.

### LAMP REPLACEMENT

Do not use lamps other than those specified. To do so will void your warranty. The lamps used in this unit have an average lifespan of 800-1000 hours of effective tanning use. Lamps used longer than that lose their effectiveness even though they will continue to light.

**Always unplug or disconnect the unit from the electrical power source before cleaning the unit or replacing the lamps!**

Only the following lamp type has been certified for use in Alisun Solariums:

**Diamondsun Wolff Model 59T1280W  
Diamondsun Wolff Model 71T12100W  
Diamondsun S Wolff Model 59T1280W  
Diamondsun S Wolff Model 71T12100W**

## SERVICE HINTS

- 1. The device does not switch on.**
  - a. Check that the plug has been inserted into the socket correctly.
  - b. Check that the timer has been activated.
  - c. Check the mains power; if necessary, the fuse should be replaced.
  - d. Check that the equipment has been properly programmed. See programming manual.
  
- 2. One or more lamps do not go on.**
  - a. Replace the lamp in question with one which is known to be in working order. If the new lamp functions and the original one does not, then the latter should be replaced.
  - b. If the lamp does not light up, exchange the starter with one taken from a lamp which is known to be in working order. If the lamp now functions, the old starter should be replaced.
  - c. If you have not been successful up to this point, it is likely that the choke (ballast) has to be replaced (contact your local service representative for replacement parts).
  
- 3. Canopy does not remain in its upper or lower position.**
  - a. Refer to the chapter entitled 'assembly' to see whether the gas absorbers have been fitted properly. Adjust them as necessary.
  - b. The gas absorbers may need to be replaced (contact your local service representative for replacement parts).
  - c. If the ambient temperature is too low, or too high, then the pressure in the gas absorbers is correspondingly too low, or too high. The ambient temperature should therefore be taken into account.
  
- 4. The device remains inoperative**
  - a. Check the electric power supply and replace the fuse if necessary.
  - b. The group to which the equipment has been connected may already have many other devices connected to it.
  - c. The timer needs replacing (contact your local service representative for replacement parts).
  
- 5. The bed is getting too warm**
  - a. Check whether the fans start up when the device is switched on. The fans do not start operating immediately, they normally do so only after the warming-up time has elapsed. The length of the warming-up time can be adjusted, as described in the programming manual.

If the fans fail to operate, notify your local service representative.

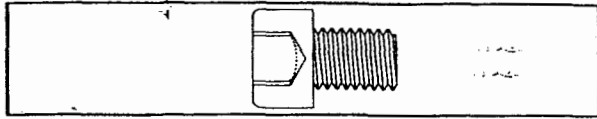
- 6. Lamps go on and off**
  - a. The voltage is too low. Consult your electricity company.
  - b. The room is too cold.

**Have an authorized service representative check any problem you are unable to correct.**



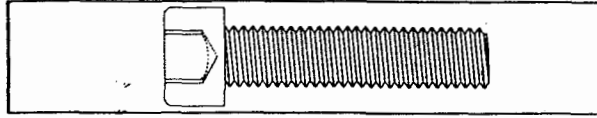
# ASSEMBLY AND SERVICE MANUAL

# ASSEMBLY PARTS



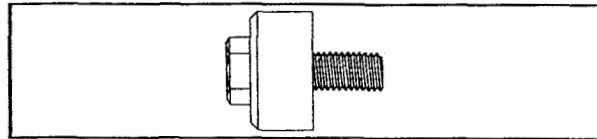
TM370520

1 Bolt M8x12 2x



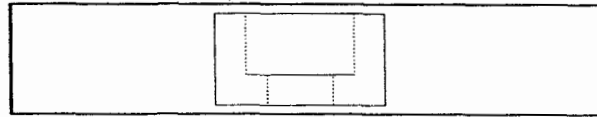
TM370525

2 Bolt M8x35 4x



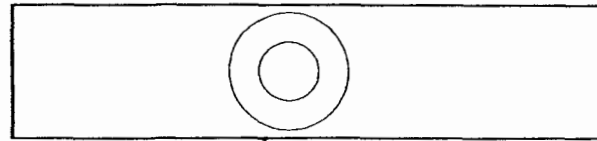
TM436214

3 Pivot stud support Q-series 2x



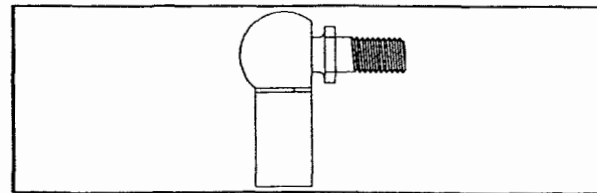
TM336215

4 Ring 2x



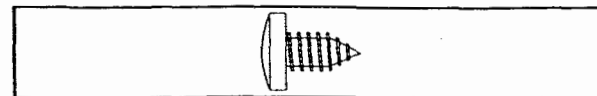
TM370644

5 Washer M8 4x



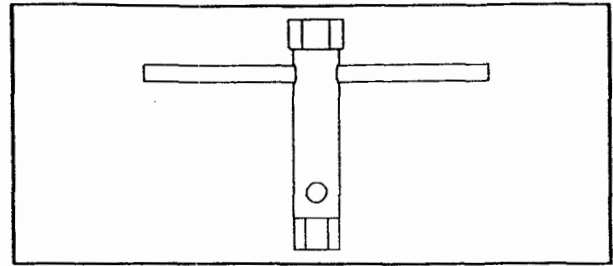
TM346800

6 Bowl-hinges 4x



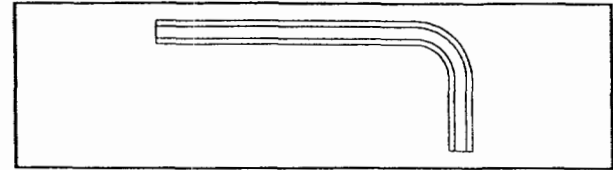
TM370099

7 Screw 4,8x9,5 12x



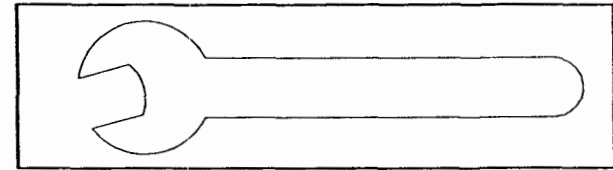
TM371020

8 Nut spinner 1x



TM371000

9 Hex key 1x



TM371010

10 Wrench 1x

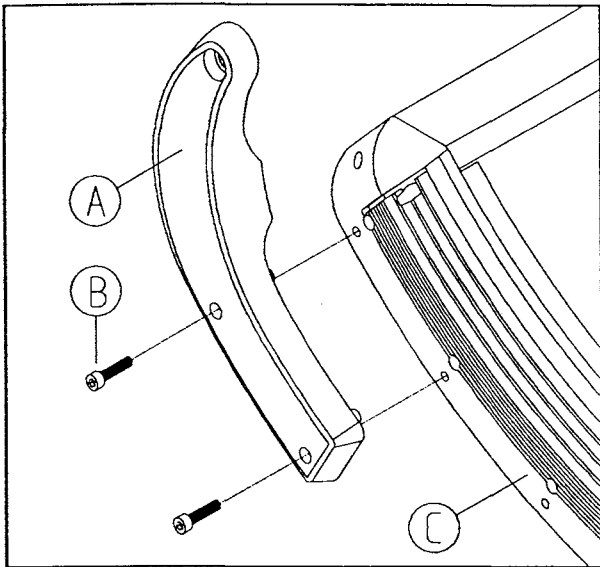
# ASSEMBLY

Place the box containing the canopy on the floor before opening it. Remove the canopy and the box of fittings.

Take the other box and slide it upwards, uncovering the bench. Remove the bench from the pallet, positioning it such that the rear is readily accessible.

Leave the component trays on the pallet.

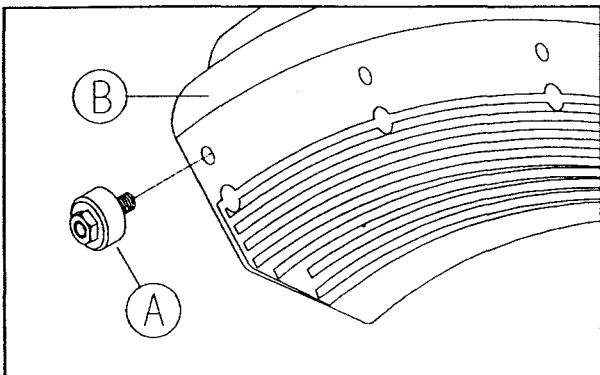
2.



HQ30A01

Attach the support bracket (A) to the end of the bench (C) with bolt no.2 (B). Use hex key no.9. Now do the same at the other side of the bench, but do not tighten the bolt in this support bracket for the moment.

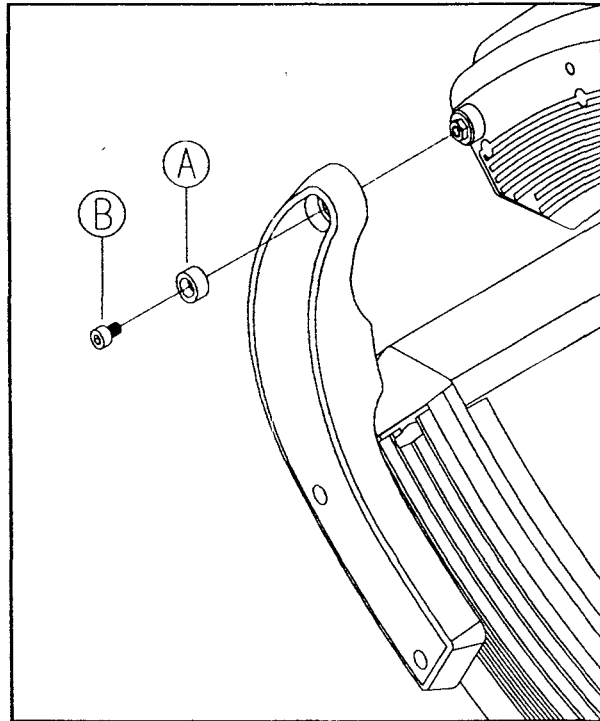
3.



HQ30A02

Attach the no.3 pivot studs (A) on both sides of the canopy (B) using nut spinner no.8.

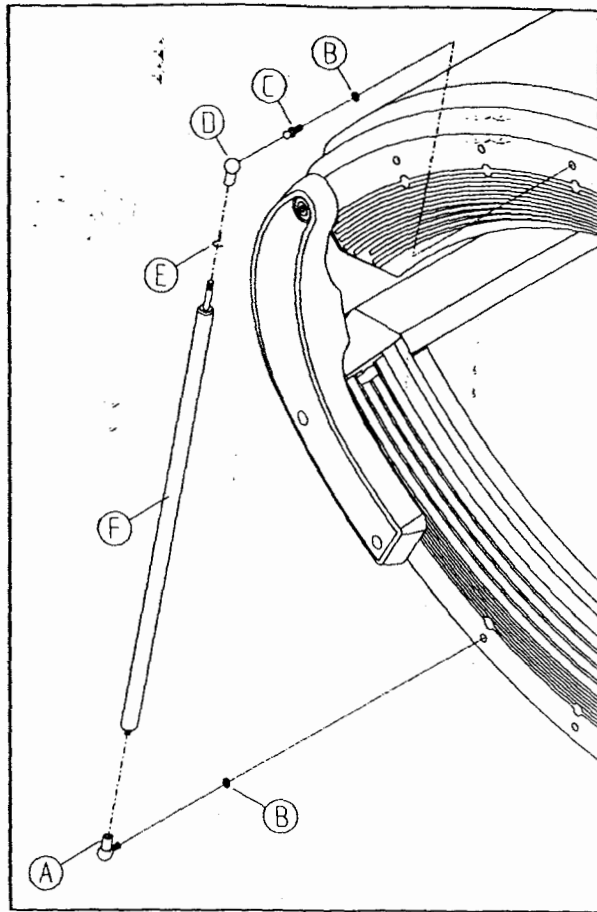
4.



HQ30A03

With the help of another person, lift the canopy and position it between the support brackets. Now fasten the final support bracket to the bench using hex key no.9. Secure the entire assembly with the no.4 rings (A) and the no.1 bolts (B). Use hex key no.9.

5.



HQ30A04

Using wrench no.10, fit two no.6 bowl-hinges (A), together with the no.5 washers (B), onto the end pieces of the bench.

Take the other two no.6 bowl-hinges and remove the pivot studs (C) from the ball joints (D) by temporarily removing the locking springs (E). Then fit the pivot studs (C), together with the no.5 washers (B) onto the end caps of the canopy. Use wrench no.10.

Screw the gas absorbers (F) onto the bench's bowl-hinges. Screw the ball joints (D) onto the other side of the gas absorbers. Next, push the gas absorber-ball joint assemblies onto the pivot studs and lock them with the locking springs (E).

Note: The gasabsorber should be positioned with its plunger rod at the top.

6.

Remove the purple profiles out of the white profiles at the sides of the canopy, using a screw-driver. Remove the cover from the canopy.

7.

A cable harness is located on the back side of the bench. Connect the 16-pin male connector from the cable to the 16-pin female connector from the canopy. Make sure that the opposite wires are coloured identical.

Connect the other 16-pin male connector to the 16-pin female connector from the canopy. The wires of the cable harness are coloured brown and the opposite wires are coloured white.

Slide the black protecting sleeve into the notch in the white bracket. Ensure that the sleeve is pushed in to a depth of about 2 cm.

Replace the cover on the canopy and replace the purple profiles in the white profiles at the sides of the canopy.

8.

Check whether the voltage rating of your building's power outlets corresponds with that shown on the rating plates. Then connect the SunQuest to a power source, the SunQuest will now emit a brief peep.

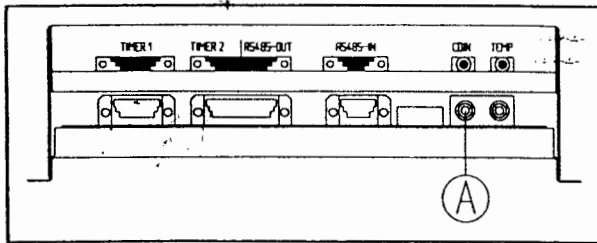
9.

Remove the protective plastic from the acrylic sheet and place the cushion at the head end.

Your unit is now ready for use.

First read the "General user's manual".

## COIN BOX



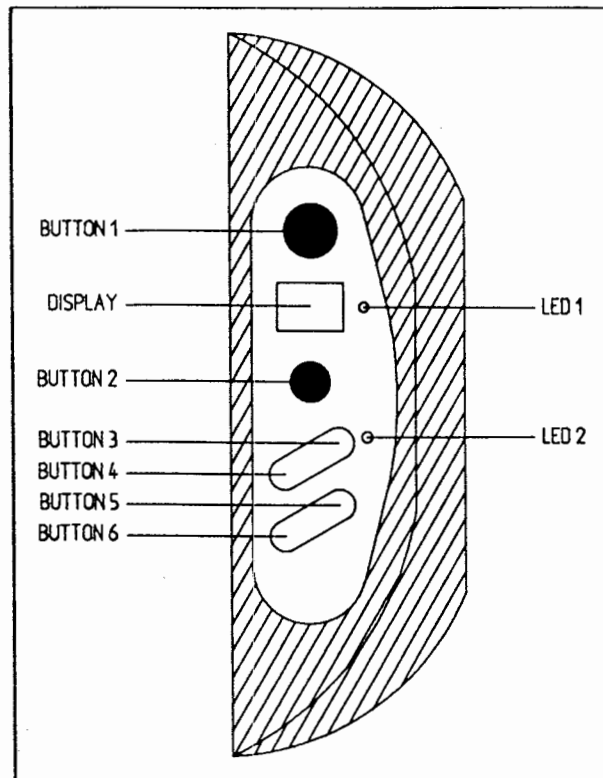
HQ30A06

Remove the purple profiles out of the white profiles at the sides of the canopy, using a screwdriver. Remove the cover from the canopy. The main printed circuit board is located on the head end.

Use a cinch-plug to connect a twin-core cable to point A on the main printed circuit board. Connect the other end of the twin-core cable to a non-live contact in the coin box.

Replace the cover on the canopy and replace the purple profiles in the white profiles at the sides of the canopy.

## OPERATING



HQ30A00

When the unit is connected to the power supply, "00" appears on the display. If the decimal point is the only part of the display which is lit, then the "display off" programming mode has been selected (for further details see the programming manual).

If the equipment has been programmed as "stand alone", then it should be switched on using the following procedure:

Switch the unit on by pressing the green button (**BUTTON 2**). The display shows the time remaining before automatic shut off.

By pressing the green button (**BUTTON 2**), you can reduce the time cycle in one-minute steps. Continue pressing this button until the period you require appears on the display. Note: It is not possible to extend the time in this way.

The display shows the number of minutes remaining, rounded up to the nearest minute. Only during the last minute will the remaining time be displayed in seconds.

If a reception desk control panel has been connected up to the equipment and if the equipment has been programmed for the "reception mode" then there are two possible switching-on procedures:

- a. The user presses the green button (**BUTTON 2**) on the equipment. The display at the reception desk and on the equipment itself starts blinking at the set tanning time. At the reception desk, a beeper starts emitting

intermittent beeps. The studio employee presses the green button at the reception desk and the equipment is switched on. The displays now stop blinking and the beeps stop.

- b. The studio employee presses the green button at the reception desk. The display at the reception desk and on the equipment itself starts blinking at the set tanning time. The equipment emits a series of three beeps. The user presses the green button (**BUTTON 2**) on the equipment and the equipment is switched on. The displays now stop blinking and the beeps stop.

If a coin box is connected to the equipment and if the equipment is programmed for "coin box", then the equipment will be switched on and off by the coin box.

You can switch off the body lamps in the bench and canopy by pressing **BUTTON 4**. Another press on this button switches the body lamps on again etc.

Pressing **BUTTON 5** causes the body cooler to blow harder. The longer you press the button, the more the fan will blow. You can adjust the fan to a zero setting by pressing **BUTTON 6**.

When there is a change in fan speed, the body cooler setting appears on the display. This indication continues to be displayed for 1 second after the fan speed control button (**BUTTON 5** or **BUTTON 6**) has been released. Accordingly, while a fan speed control button is being pressed (and for 1 second afterwards) the display shows the body cooler setting, not the tanning time. The indicated body cooler setting ranges from 0 (off) to 9 (maximum).

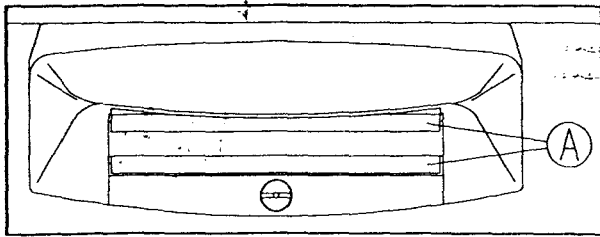
The red button (**BUTTON 1**) works as follows: If the red button is pressed while the equipment is on, then the body lamps and the face tanners are switched off and the display starts blinking, showing the remaining tanning time. This condition, the pause state, is maintained for 10 seconds. If, during this period, the red button is pressed again, then the equipment is switched off completely. If, during this 10-second period, the green button (**BUTTON 2**) is pressed then the equipment switches on again (only those lamps and suchlike which were switched on before the red button was pressed) and the tanning time continues from the point at which it was interrupted.

This enables users who have accidentally pressed the red button to continue with their tanning session. If neither the red button nor the green button is pressed while the equipment is in the pause state (i.e. for a period of 10 seconds) then the equipment is switched off completely.

If a reception desk control panel has been connected up to the equipment then the equipment can also be switched off if the studio employee presses the red button at the reception desk. This terminates the pause state.

The fans remain running for a time (the time which can be adjusted), to prepare the unit for the next user as quickly as possible. This is indicated by **LED 1**.

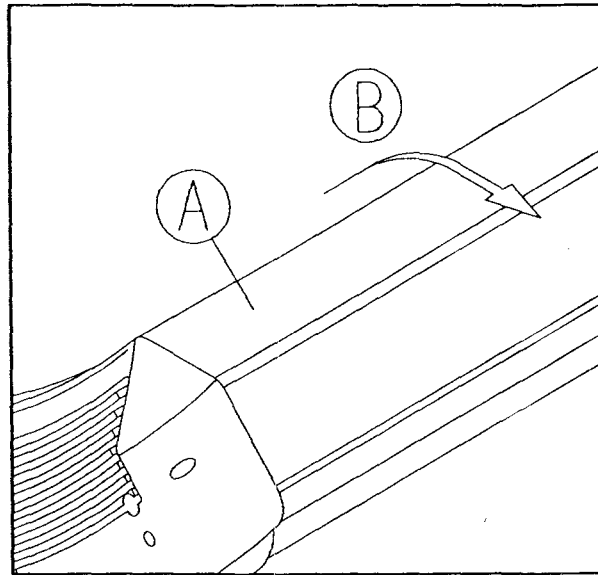
## BODY COOLER



HQ30A09

The body cooler is built into the canopy, at the head end. The air speed is continuously adjustable (see chapter on operation). The direction of the air flow can also be regulated, by means of the two adjustable flaps (A) attached to the body cooler. These can be used to direct cooling air either towards the head, the body or both.

## ACRYLIC SHEET



HQ30A10

If you wish to remove the bench's acrylic sheet, proceed as follows:

Move the plastic profile in the direction indicated by the arrow (A). The entire length of profile-section can then be freed. This should be done both at the front and at the rear.

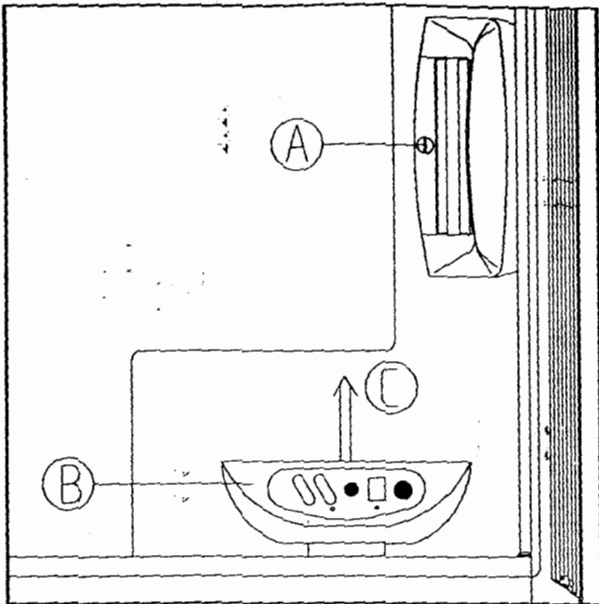
At the foot end of the bench, at the front, there is another mounting bracket. This should be removed by unscrewing the retaining screw. Next, slide the acrylic sheet towards the foot end until it is free from the end piece at the head end. Now slide the acrylic sheet back and out of the bench, at the head end.

When the acrylic sheet has been replaced in the bench, the mounting bracket should be refitted. The plastic profile can now be clicked shut again by pushing the profile against the aluminium profile along its entire length.

## PARTS

Use only original Alisun replacement parts:

<i>Part</i>	<i>Art.no.</i>
Wolff DiamondSun S 100W	: 350276
Reflector Q48-bench 5	: 432210
Reflector Q48-canopy 5	: 432212
Reflector Q48-canopy 8 front	: 432218
Reflector Q48-canopy 8 back	: 432219
Print P9101	: 356510
Control unit	: 356550



HQ30A27

If you wish to remove the acrylic sheet from the canopy, then you should proceed as follows:  
Remove the handle from the profile by unscrewing the 3 screws.

A black fastener (A) is located at the head end, near the body cooler. A coin or a large screwdriver can be used to give this a quarter turn to the left. Next pull the fastener's shaft out the hole.

If you experience difficulty in removing the shaft from the hole, slide the acrylic sheet slightly, in a lengthwise direction.

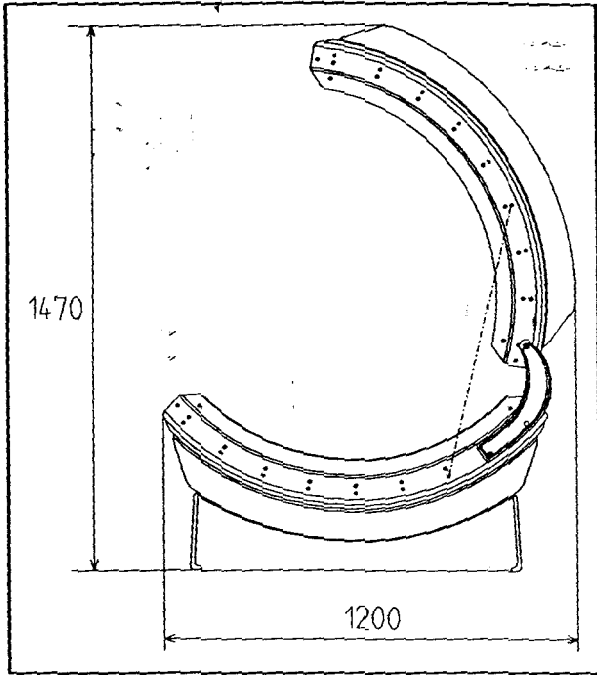
Free the entire length of plastic profile section, in the same way as described for the bench's acrylic sheet. This should be done both at the front and at the rear.

Push the control panel (B) in the direction indicated by the arrow (C) to free it from the acrylic sheet. Slide the acrylic sheet towards the foot end until it comes free from the end piece at the head end. The acrylic sheet can now be removed from the canopy.

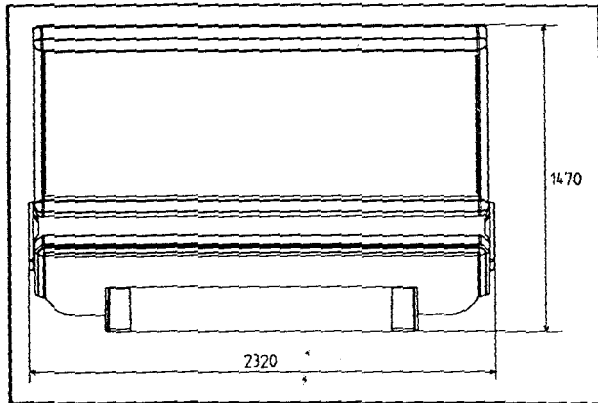
When the acrylic sheet has been replaced in the canopy the fastener's shaft (A) should be inserted into the hole once again, after which the fastener is given a quarter turn to the right. The control panel should be slid back into the acrylic sheet. The profile can now be clicked back into place by pushing the profile against the aluminium profile along its entire length. Ensure that no wiring can become trapped.



# SIZES



HQ30A28



HQ30A29

# PROGRAMMING MANUAL

The **SunQuest** is controlled by a microprocessor which has several programmable functions. Aside from the programmable functions, the microprocessor includes a built-in register which records the number of hours for which the body lamps have been operating.

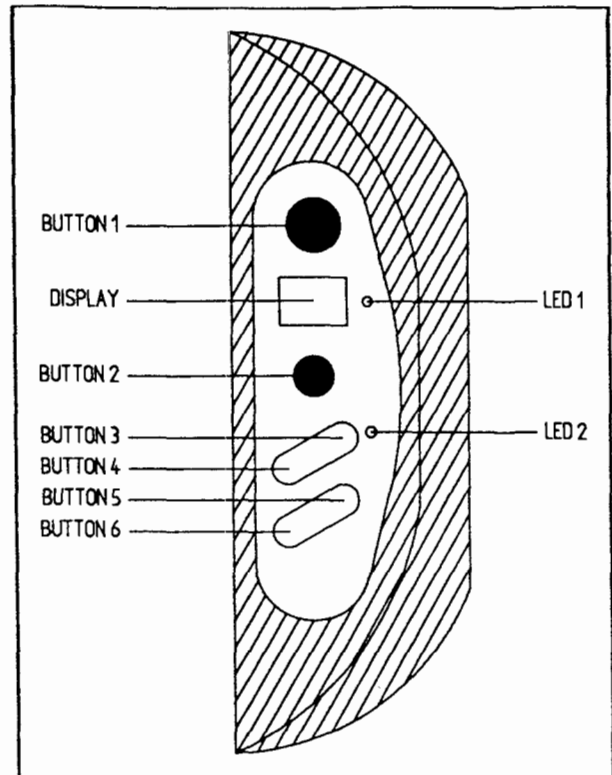
The programmable functions are;

- ▶ **Adjustment of the warming-up time**  
(the time between the beginning of the tanning and the start of the fans).
- ▶ **Adjustment of the after-use cooling time**  
(the time required to cool down after each use).
- ▶ **Adjustment of the user mode**  
(which SunQuest configuration is to be used?: Stand-alone, PC-communication, coin box, second timer).
- ▶ **Adjustment of the PC-communication address**

The above functions, which are pre-programmed into the equipment at the factory, have the following values:

Warming-up time	: 3 minutes
After-use cooling time	: 3 minutes
User configuration	: stand-alone

These programmed values can be changed by the user, by first reading the following instructions carefully and then carrying them out exactly as described.



HQ30A00

1. Cut off the power by unplugging the SunQuest.  
Press the following buttons on the control panel, simultaneously:
  - Face tanner (button 3)
  - Body lamps (button 4)
  - Fan speed up (button 5)
2. While pressing these buttons, plug the equipment into the power socket once more. The main printed circuit board will emit a short 'beep', the display will show '88' and the two yellow indicator LEDs will light up. If this is not the case, try again, starting from step 1.
3. You can now release the three buttons. The display will continue to show '88', indicating that the programming function has been 'opened'.
4. Press the green button (button 2); the display will show '00' and the yellow after-use cooling LED (LED 1) remains lit, while the face tanner-LED (LED 2) goes out. You have now entered 'main-mode'.

5. If the red button (button 1) is pressed several times the display shows 10, 20, 30, 40, 50, 60 and 00, in succession. These are the so called 'programming functions'.  
Use this button to select the required function.

- 00 Main mode
- 10 Fixed tanning time
- 20 Adjustment of the warming-up time
- 30 Adjustment of the after-use cooling time
- 40 Adjustment of the user mode
- 50 Adjustment of the PC-communication address
- 60 Not used

6. After selecting the required function, press the green button (button 2).  
A given value (ending with a decimal point) will appear on the display. This value has a specific significance for each selected function. By means of the body-lamps button (button 4) and the face-tanner button (button 3), you can change this value for each selected function.  
The various codes for each function, and their significance, are summarized below.
7. Once the required value for the current function has been set, press the green button (button 2), and the display will 'jump' to the next function. The only exception to this rule is function '10'. After pressing the green button, the number of seconds will appear on the display.

### **FUNCTION 10**

The value on the display is the tanning time in minutes. Press the green button (button 2) and the display will show the number of seconds. The tanning time can't be adjusted.

### **FUNCTION 20**

The value shown by the display is a code for the warming-up time:

- '00' = 0 seconds
- '01' = 30 seconds
- '02' = 1 minute
- '03' = 1 minute and 30 seconds
- '04' = 2 minutes
- '05' = 2 minutes and 30 seconds
- '06' = 3 minutes
- '07' = 3 minutes and 30 seconds
- '08' = 4 minutes
- '09' = 4 minutes and 30 seconds
- '10' = 5 minutes

Warming-up time will generally be between 1 and 2 minutes.

### **FUNCTION 30**

The value shown by the display is a code for the after-use cooling time:

- '00' = 0 seconds
- '01' = 30 seconds
- '02' = 1 minute
- '03' = 1 minute and 30 seconds
- '04' = 2 minutes
- '05' = 2 minutes and 30 seconds
- '06' = 3 minutes
- '07' = 3 minutes and 30 seconds
- '08' = 4 minutes
- '09' = 4 minutes and 30 seconds
- '10' = 5 minutes

After-use cooling time will generally be between 2 and 4 minutes.

### **FUNCTION 40**

The value shown by the display is a code for the user mode:

- '01' = Stand-alone mode (standard setting)
- '02' = Coin box with the SunQuest display on
- '04' = Coin box with the SunQuest display off
- '08' = Personal Computer mode (controlling the equipment with a PC)
- '16' = Second timer (reception panel) with the SunQuest display on
- '32' = Second timer (reception panel) with the SunQuest display off

## FUNCTION 50

This function is optional and will be further specified in the Personal Computer software manual.

## FUNCTION 60

This function is not used.

8. When all of the functions have been programmed with the required values, press the red button (button 1) several times until the display shows '00' (main mode).
9. Now press the green button (button 2) twice, both of the LEDs will light up, indicating that you wish to leave the programming mode.
10. Press fan down button (button 6) to store the new values permanently in the memory. If this has been successfully completed, the equipment

will give a short 'beep'. These values will remain in memory even in the event of a power failure.

The following is an example of how to program the SunQuest, step-by-step.

The "Button" column indicates which button(s) you should use.

The "Display" column indicates the value which should appear in the display after correct completion of the step.

The "Comment" column contains a brief explanation.

In the following example the SunQuest is programmed for:

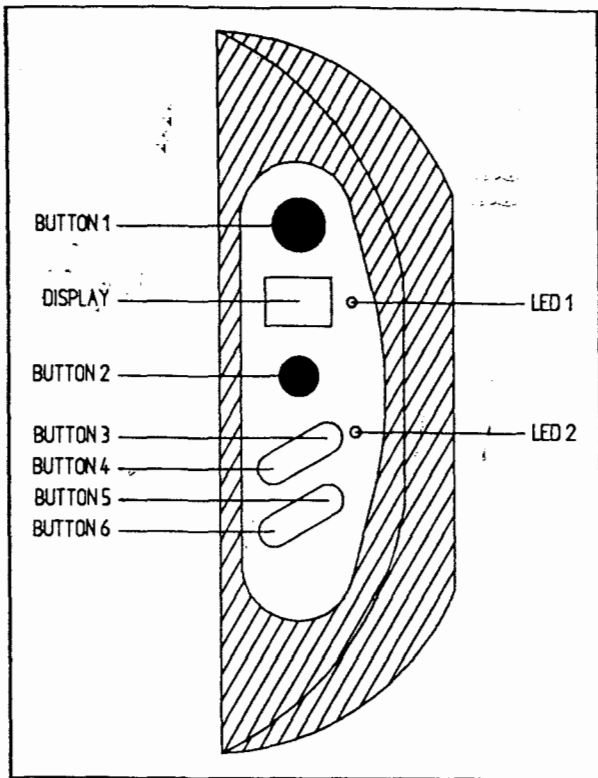
- Tanning time: 15 minutes and 00 seconds (can't be adjusted).
- Warming-up time: 2 minutes and 30 seconds
- After-use cooling time: 2 minutes
- User configuration: coin box with display on.

### Example of how to program the SunQuest

Button	Display	Comment
Button 3+4+5	88	After switching on the mains power while the three buttons are pressed simultaneously (button 3+4+5), a short 'beep' sounds and the display shows "88". The two yellow LEDs light up.
Button 2	00	This is 'main-mode'. Only the after-use cooling LED (LED 1) remains lit.
Button 1	10	This is function 10: fixed tanning time.
Button 2, Fk Button 3/4 - 3/4	--	The display now shows the pre-programmed time, in minutes. <i>To adjust Time</i>
Button 2	--	The display now shows the pre-programmed time, in seconds.
Button 2	20	This is function 20: adjusting the warming-up time.
Button 2	--	The display now shows the code for the pre-programmed warming-up time.
Buttons 3/4	05.	Set the required code, using the body-lamps button (button 4) and the face-tanner button (button 3) code. In this case code 05 will be selected (= a warming-up time of 2 minutes and 30 seconds).
Button 2	30	This is function 30: adjusting the after-use cooling time.

Button	Display	Comment
Button 2	--	The display now shows the code for the pre-programmed after-use cooling time.
Buttons 3/4	04.	Set the required code, using the body-lamps button (button 4) and the face-tanner button (button 3). In this case code 04 will be selected (= an after-use cooling time of 2 minutes).
Button 2	40	This is function 40: adjusting the user mode.
Button 2	--	The display now shows the code for the pre-programmed user mode.
Buttons 3/4	02.	Set the required code, using the body-lamps button (button 4) and the face-tanner button (button 3). In this case code 02 will be selected (= coin box, with the SunQuest display on).
Button 2	50	This is function 50: adjusting the PC-address. This function is optional.
Button 1	60	This is function 60: this function is not used.
Button 1	00	Now you are back in main-mode. Provided that all of the values have been set correctly, you can now continue with the next step. Should it be necessary to make any changes, use the red button to move to the required function and adjust the value, as described.
Button 2	00	The after-use cooling LED (LED 1) goes out and the face tanner-LED (LED 2) lights up.
Button 2	00	Both LEDs light up.
Button 6	00	A short 'beep' sounds and the SunQuest is programmed.

**READING-OUT SERVICE DATA**



HQ30A00

1. Cut off the power by unplugging the SunQuest.  
Press the following buttons on the control panel, simultaneously:
  - Face tanner (button 3)
  - Body lamps (button 4)
  - Fan speed up (button 5)
2. While pressing these buttons, plug the equipment into the power socket once more. The main printed circuit board will emit a short 'beep', the display will show '88' and the two yellow indicator LEDs will light up.  
If this is not the case, try again, starting from step 1.
3. You can now release the three buttons. The display will continue to show '88', indicating that the programming function has been 'opened'.
4. Press the green button (button 2); the display will show '00' and the yellow after-use cooling LED (LED 1) remains lit, while the face tanner-LED (LED 2) goes out. You have now entered 'main-mode'.

5. Press the green button (button 2) again. The yellow after-use cooling LED (LED 1) goes out, while the face tanner LED (LED 2) lights up. You have now entered 'service mode'.
6. In 'service mode' you can use the red button (button 1) to leaf through the 9 different functions. These functions are:
 

<b>10</b>	<b>switching on body lamps</b>
<b>20</b>	<b>body lamp operating hours</b>
<b>30</b>	<b>not used</b>
<b>40</b>	<b>not used</b>
<b>50</b>	<b>av. temperature on switching off</b>
<b>60</b>	<b>current temperature, in °C</b>
<b>70</b>	<b>cumulative total of users</b>
<b>80</b>	<b>cumulative total of operating hours</b>
<b>90</b>	<b>resetting the counters</b>

Functions 50 and 60 will not work unless you have connected up a temperature recorder.

When you arrive at the function whose value you wish to find, select it by pressing the green button (button 2).

Important: The red button (button 1) is used to leaf through the various functions while the green button (button 2) is used to select one.

7. Immediately after pressing the green button (button 2) two digits appear in the display. The left-hand side of the display indicates the number of digits still to come, to complete the value of a selected function. Record the value on the right and continue leafing through, using the 'body lamps' button (button 4). Continue to record each number that appears on the right-hand side of the display until the value 0 appears on the left-hand side of the display. At that point, the value shown in the right-hand side of the display will be the final digit of the value of the function which you selected.
8. Press the 'body lamps' (button 4) button once more, then press the red button (button 1) several times, until the display shows '00'. You are now back in 'service mode'.



9. Values can be reset (set to zero) using function 90. You can only reset the following functions:

- 10 switching on body lamps
- 20 body lamp operating hours
- 50 av. temperature on switching off

Use the red button (button 1) to leaf through to function 90 (resetting counters) and select this using the green button (button 2). You can now:

- a. Reset the function which appears in the display (function 10), using the red button (button 1).
- b. Continue leafing through the functions, using the 'body lamps' button (button 4), until the required function appears in the display; then reset, by pressing the red button (button 1). After function 50, press the 'body lamps'

button (button 4) once again, in order to leave function 90.

10. You can exit 'service mode' by pressing the green button (button 2) once, after which both the face tanner LED (LED 2) and the yellow after-use cooling LED (LED 1) light up. Next, press the 'fan speed down' button (button 6) in order to leave 'service mode'.

11. There follows an example of how to read out the number of operating hours for the body lamps and an example of how to reset the number of operating hours for the body lamps. The column marked "Button" shows you which button(s) to press. The column marked "Display" contains the value shown on the display after correctly completing the procedure. An explanation is provided in the column marked "Comment".

#### Example of how to read out the number of operating hours for the body lamps

Button	Display	Comment
Button 3+4+5	88	After switching on the mains power while the three buttons are pressed simultaneously (buttons 3+4+5) a short 'beep' sounds and the display shows '88'. The two yellow LEDs light up.
Button 2	00	This is 'main mode'. Only the after-use cooling LED (LED 1) remains lit.
Button 2	00	This is 'service mode'. LED 1 goes out, LED 2 lights up.
Button 1 (2x)	20	This is function 20: body lamp operating hours.
Button 2	29	Record 9.
Button 4	13	Record 93
Button 4	06	Record 936, the zero on the left-hand side of the display shows you that the number of operating hours is 936.
Button 4	30	
Button 1 (7x)	00	You are back in 'servicemode'.

Button	Display	Comment
Button 2	00	Both LEDs light up.
Button 6	00	You now exit 'servicemode'.

**Example of how to reset the number of operating hours for the body lamps**

Button	Display	Comment
Button 3+4+5	88	After switching on the mains power while the three buttons are pressed simultaneously (buttons 3+4+5) a short 'beep' sounds and the display shows '88'. The two yellow LEDs light up.
Button 2	00	This is 'main mode'. Only the after-use cooling LED (LED 1) remains lit.
Button 2	00	This is 'service mode'. LED 1 goes out, LED 2 lights up.
Button 1 (9x)	90	This is function 90: resetting the counters.
Button 2	10	This is function 10: switching on body lamps.
Button 4	20	This is function 20: body lamp operating hours.
Button 1	00	The number of body lamp operating hours is now reset.
Button 4 (4x)	00	You are back in 'servicemode'.
Button 2	00	Both LEDs light up.
Button 6	00	You now exit 'servicemode'.

Manufactured for SunQuest by:  
**ALISUN PROFESSIONAL B.V.**

Celsiusstraat 33  
P.O. Box 336  
1700 AH Heerhugowaard  
HOLLAND

CALL FOR SERVICE OR QUESTIONS:

1-800-228-6292

**SunQuest**

6270 CORPORATE DRIVE  
INDIANAPOLIS, IN 46278-2900

6270 CORPORATE DRIVE  
INDIANAPOLIS, IN 46278-2900