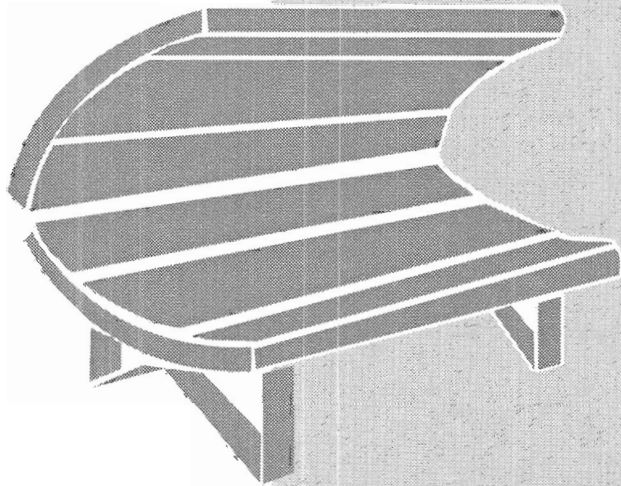


**SunQuest®**

## Assembly and User Guide



P592-3

Models Super 30ZX / 30ZXF / 30ZX2F

## 5-Year Warranty

### What is Covered?

*SunQuest* warrants your tanning unit to be free of structural defects for a period of 5 years from the date of purchase. *SunQuest* will repair or replace, at their discretion, any defect to the structure which affects the performance of the unit.

For 6 months from the date of purchase, *SunQuest* will provide replacement parts that prove to be defective in material or workmanship. Acrylic shields, fluorescent lamps, and lamp starters are excluded from this warranty. Labor will be covered for 30 days from purchase date. Normal wear, damage from misuse or abuse, damage incurred in transit, or damage done by unauthorized repairs or modifications are not covered by this warranty.

### How to Obtain Service

All warranty service must be performed by an authorized service person. If your tanning unit must be returned for service, all freight charges must be at your expense. Contact your place of purchase for the address of the SunQuest Service Center nearest you. Proof of purchase is required to obtain warranty service.

### Other Provisions

This warranty covers the original purchaser only. This warranty is void if the unit is modified in any manner from its original design.

This warranty gives you specific legal rights, and you may also have other rights which may vary from state to state.



---

## Welcome!

Congratulations on your purchase of this technologically advanced sun tanning unit. It has been designed to provide years of dependable service for you.

Please read all the instructions in this booklet before installing and using the unit. Always be sure to observe all safety precautions.

---

## Contents

<b>Safety Information</b> .....	<b>iii</b>
<b>Installation</b> .....	<b>1</b>
Unpacking and Inspection .....	1
Tools Required .....	2
Pre-Installation Planning .....	3
Assembly Procedures .....	4
Making Electrical Connections .....	11
<b>Operation</b> .....	<b>12</b>
Before You Tan .....	12
Exposure Times .....	12
Using Your Sunbed .....	13
<b>Care and Maintenance</b> .....	<b>14</b>
Cleaning After Use .....	14
Thorough Periodic Cleaning .....	14
Replacing Lamps .....	15
Timer Maintenance .....	17
<b>Troubleshooting</b> .....	<b>18</b>
<b>Obtaining Service</b> .....	<b>19</b>



## Safety Information

**LABELING NOTICE:** Labels are affixed on all systems to inform the user of possible dangers. Regulations are stated in Section 21 CFR, Section 1040.20, and require that all electrical installations of products manufactured after September 8, 1986, which use sunlamps must display the following:

**DANGER** Ultraviolet radiation. Follow instructions. Avoid overexposure. As with natural sunlight, overexposure can cause eye and skin injury and allergic reactions. Repeated exposure may cause premature aging of the skin and skin cancer.  
**WEAR PROTECTIVE EYEWEAR; FAILURE TO MAY RESULT IN SEVERE BURNS OR LONG-TERM INJURY TO THE EYES.**

Medications or cosmetics may increase your sensitivity to the ultraviolet radiation. Consult physician before using sunlamp if you are using medications or have a history of skin problems or believe yourself especially sensitive to sunlight. If you do not tan in the sun, you are unlikely to tan from the use of this product.

Minimum use distance is 1 inch or 2.54 centimeters. Tanning may appear after one application provided that your skin is capable of developing a suntan. Allow 48 hours between sessions to obtain a base tan, once or twice per week to maintain appearance.

Recommended Exposure Times (Minutes)	Skin Type:	Week:	1	2	3	Maximum
I	Sensitive Skin (Burns easily and severely and does not tan) NOT RECOMMENDED FOR TANNING					
II	Light (Burns easily and severely and tans minimally)		2	4	6	8
III	Normal (Burns moderately and tans average)		4	6	8	11
IV	Dark (Burns minimally, tans easily and above average)		6	8	11	15

(ALL IN MINUTES)

**WARNING:** • Read the instructions booklet before using lamps. • When using a Bed, lie down on Bench and pull Canopy down until it will move no further. On Canopy only unit, lie down and pull Canopy down as far as adjustment will allow. • Operation of this device below the recommended minimum distance for use may result in overexposure.

- Recommended eyewear: Provided eyeshields (Intrexco No. 5635/1s) or equivalent eyewear as defined under 21 CFR 1040.20 2(b) (6)
- One pair of protective eyewear is furnished with this equipment and should be worn by all persons in the room when lamps are on.
- Disconnect power cord before attempting to clean, relamp, or engage in the maintenance of this product.

ONLY THE FOLLOWING LAMPS HAVE BEEN CERTIFIED FOR USE IN THIS EQUIPMENT:

- |                                    |                                 |
|------------------------------------|---------------------------------|
| Diamondsun Wolff Model 59T1280W    |                                 |
| Diamondsun Wolff Model 71T12100W   | Philips Model HPA 400/30s       |
| Diamondsun S Wolff Model 59T1280W  | (Facial unit, where applicable) |
| Diamondsun S Wolff Model 71T12100W |                                 |

THIS PRODUCT IS IN CONFORMITY WITH PERFORMANCE STANDARDS FOR SUN LAMP PRODUCTS UNDER 21 CFR PART 1040.20

---

---

## Unpacking & Inspection

Your sunbed comes in two cardboard cartons, one for the bench and one for the canopy. Open the cartons and remove the bench and canopy as follows:

- Step 1.** The bench and canopy are each wrapped in a plastic bag and secured in the carton with self-hardening insulating foam. Use your hands to pull as much of the foam as you can from the corners of the carton.
- Step 2.** Pull apart the plastic bag and pull it down over the corners of the bench and canopy. With a helper, grasp the bed and pull it from the carton bottom, leaving the plastic bag and the remaining foam. Do the same for the bench.

The canopy box contains the canopy unit and a pair of gas springs. The bench box contains the following items:

- Bench unit
- BlisterPak containing necessary assembly hardware and remote bypass
- Box containing two leg stands and vinyl-covered pillow
- Box containing pedestal assembly
- Assembly and User Guide

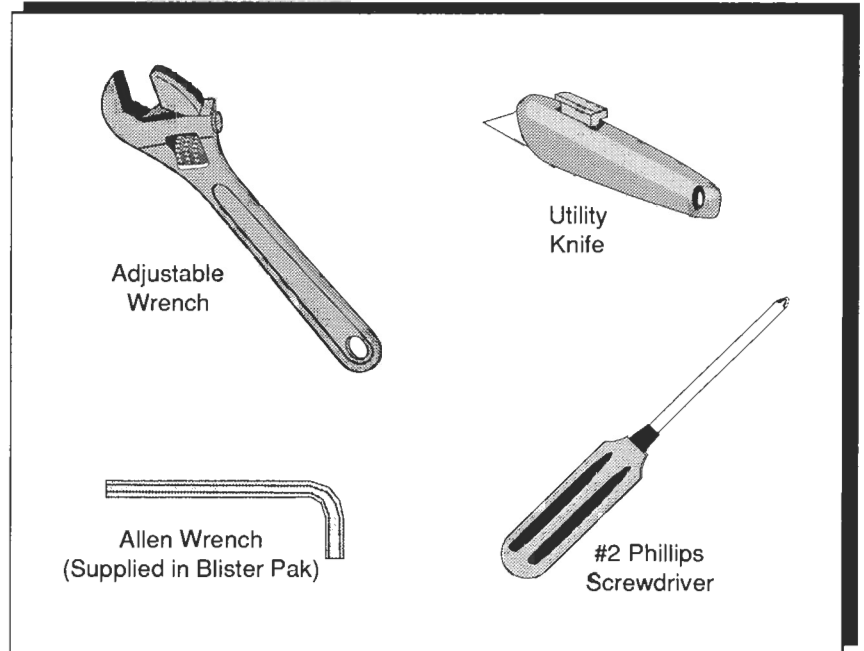
Inspect these items, including the canopy and bench, and make sure they are free from any visible damage. Report the extent of any damage to the transportation company.

---

---

## Tools Required

You'll need the following tools to assemble your sunbed:



---

---

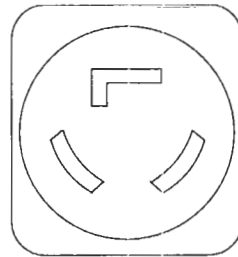
## Pre-Installation Planning

### IMPORTANT!

Use of a voltage source above 230 V ac or below 215 V ac may prevent proper operation of the sunbed and could cause damage and void the warranty.

Before you begin to assemble your sunbed, you should observe the following pre-installation considerations.

- ❑ Your sunbed operates from a 220 V ac source. You should have an electrical outlet (like the type shown below) installed in the room in which you will use the unit. The outlet should be on a dedicated circuit capable of providing 30 Amp service. (We recommend installation by a professional electrician.)



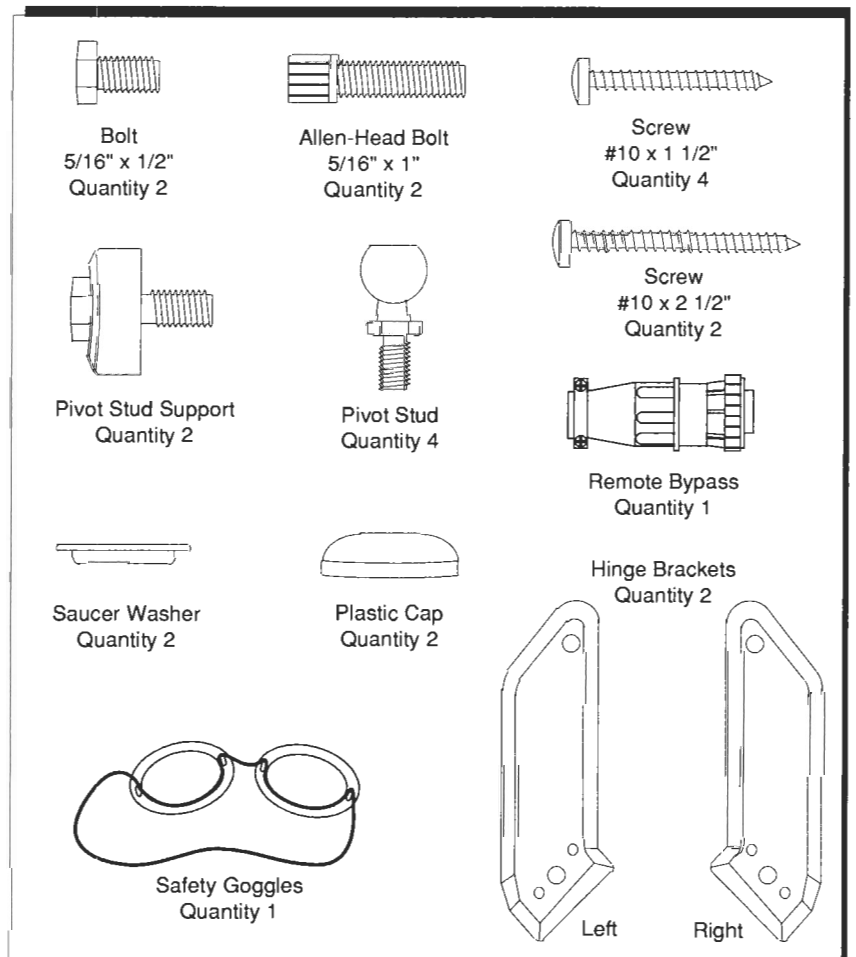
30 Amp Twist Lock  
(Insert plug and twist to lock)

- ❑ Make sure the room in which you intend to use your sunbed is well ventilated. Air from the room is used to cool the sunbed, and a poorly ventilated room may cause the unit to become hot and cause discomfort to the user.
- ❑ Your sunbed is designed to operate in an ambient room temperature of 80°F maximum and 70% relative humidity.
- ❑ Place your sunbed no closer than 12" from any wall. Make sure that curtains, drapes, and other room furniture do not obstruct the airflow into the end caps or out of the fan opening areas.
- ❑ Proper assembly of your sunbed requires two persons. Plan to have a helper assist you.

## Assembly Procedures

### Hardware Inventory

Before you begin, use the utility knife to cut open the BlisterPak and remove the small bag of hardware. In addition to a small Allen wrench and handle, make sure you have the following hardware items.

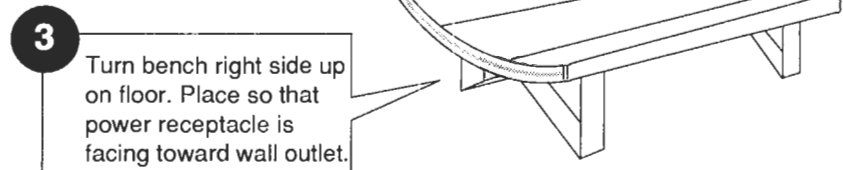
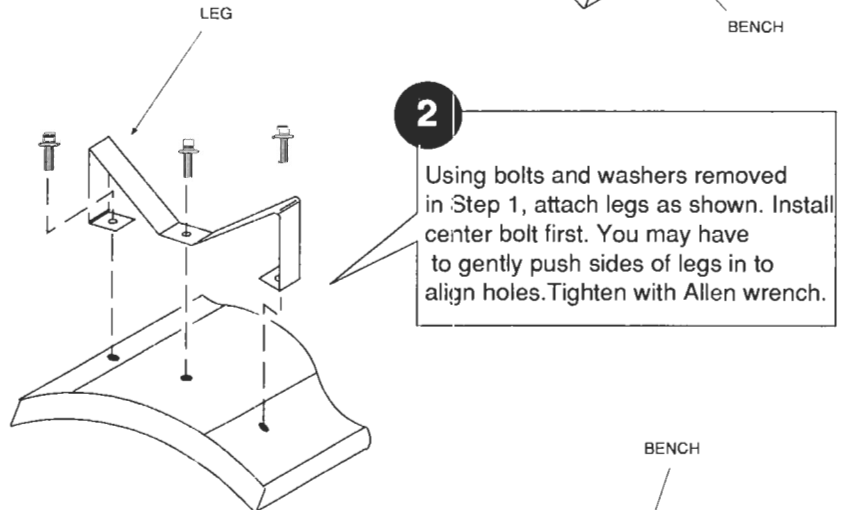
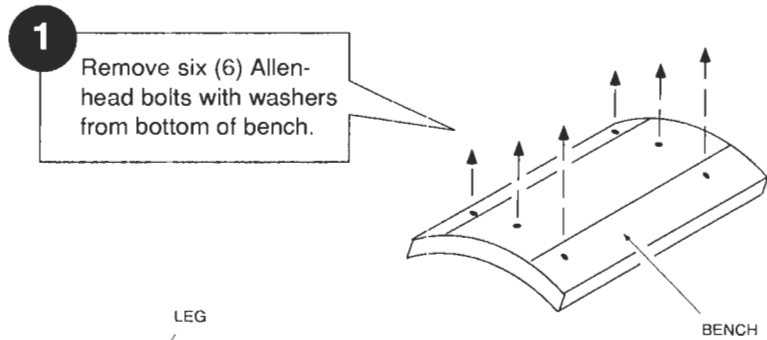




## Assembly Procedures (cont'd)

### Attaching Legs to Bench

Lay the bench upside down on the floor. Locate the two legs and attach to the bench as shown below.



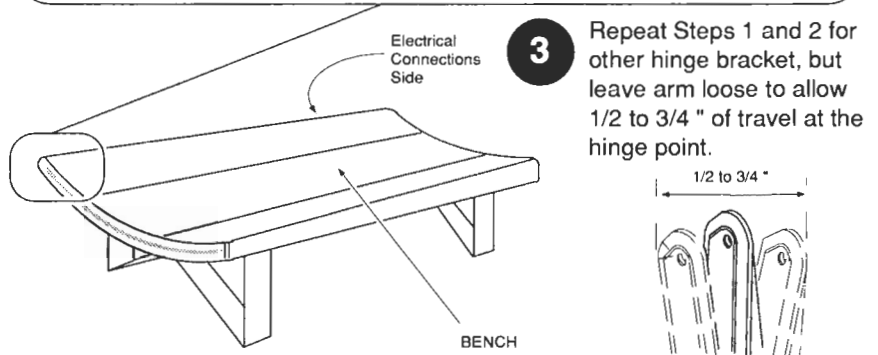
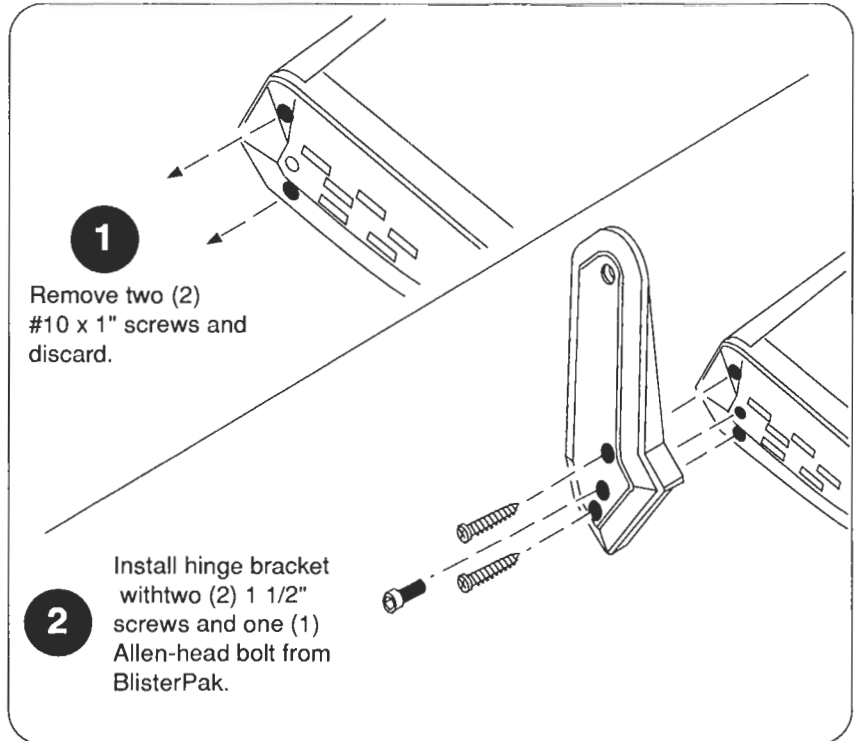
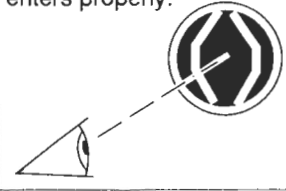
## Assembly Procedures (cont'd)

### Attaching Hinge Brackets to Bench

Locate the two hinge brackets and attach to the bench as shown below.

#### User Tip !

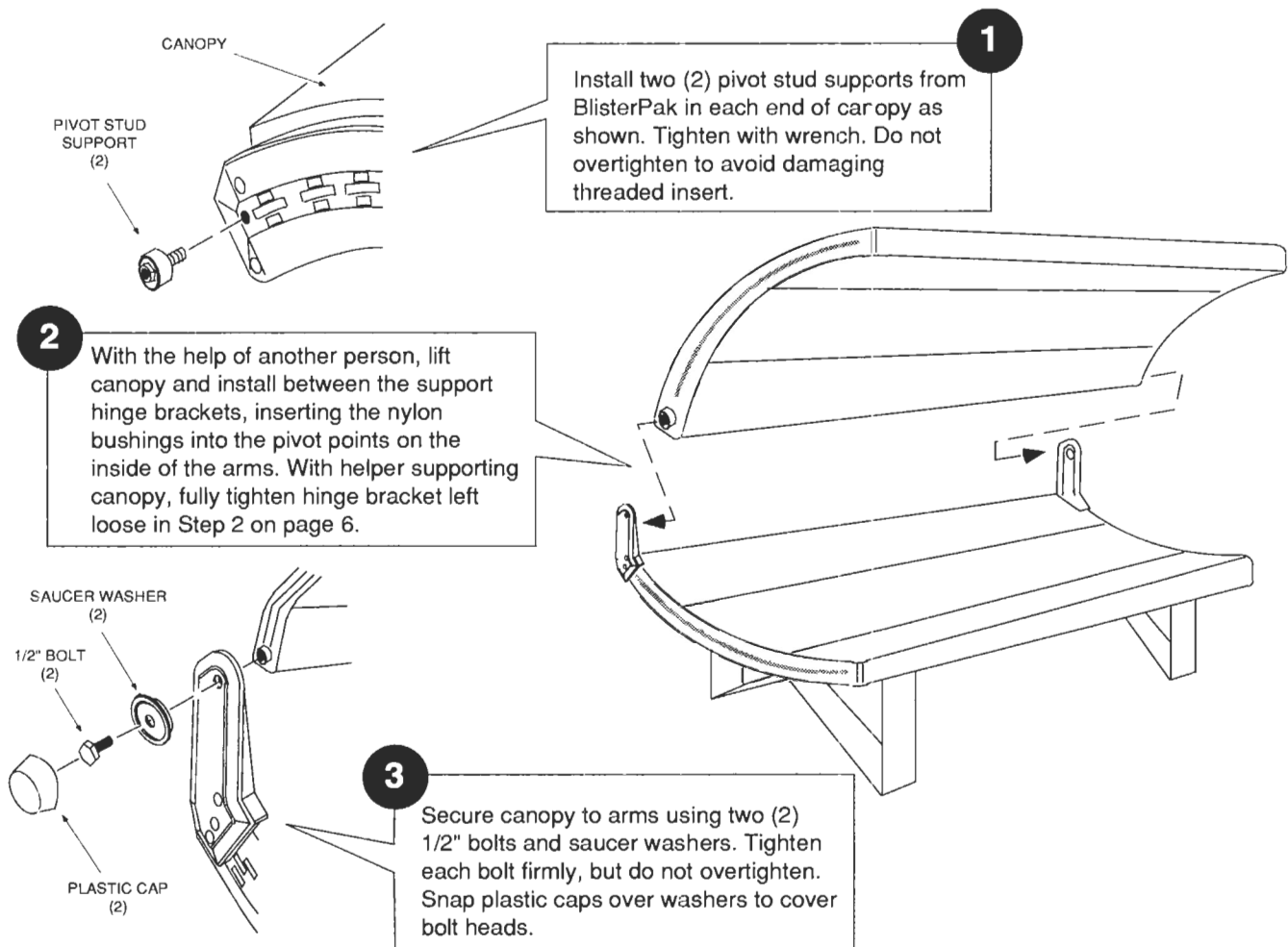
When installing screws, make sure hole is lined up with channel so screw enters properly.



## Assembly Procedures (cont'd)

### Attaching Canopy to Bench

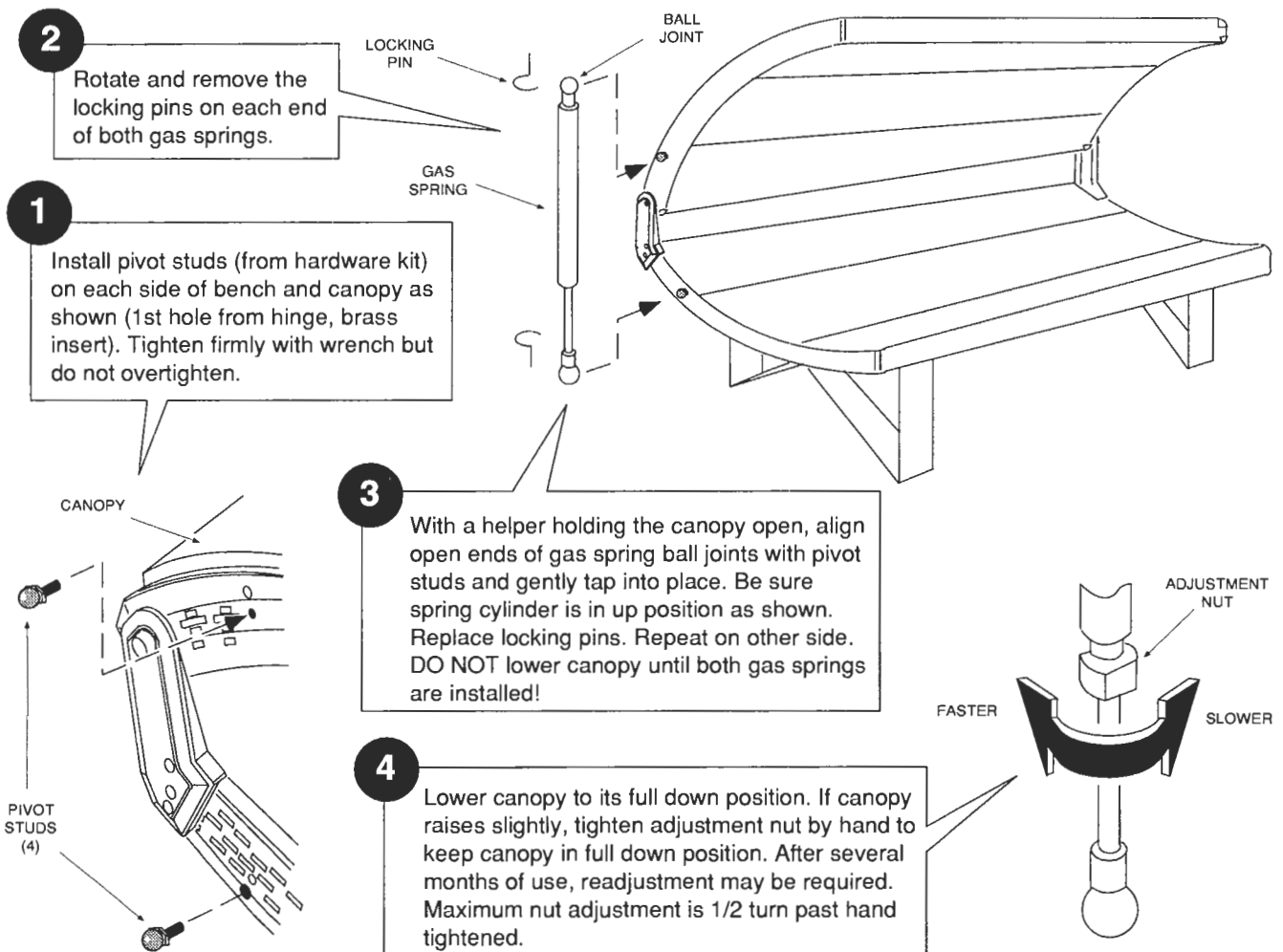
Attach the canopy to the bench as shown below. This will require at least two people.



## Assembly Procedures (cont'd)

### Attaching Gas Springs

Attach the gas springs (located in canopy box) between the canopy and the bench as shown below. You will need another person to help you lift the canopy.



---

---

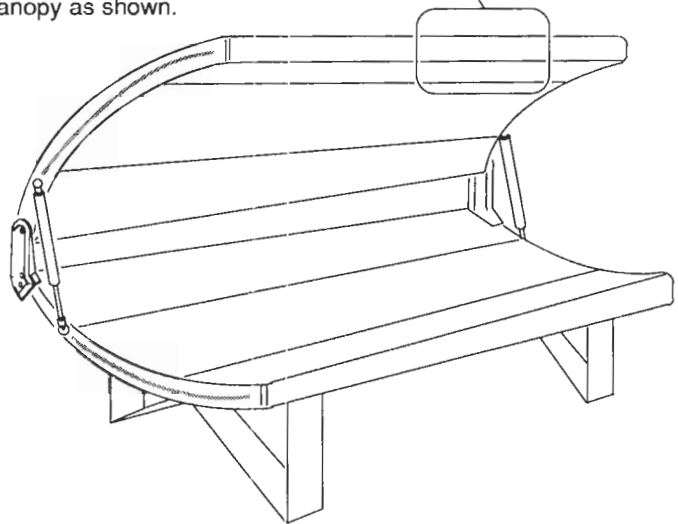
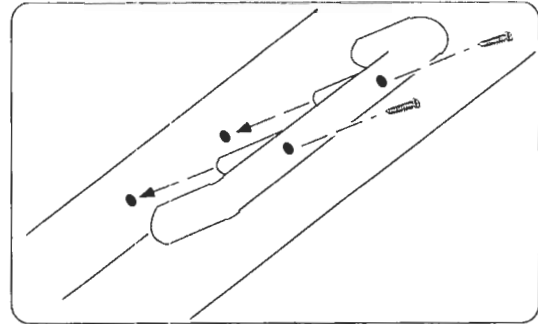
## Assembly Procedures (cont'd)

### Attaching Handle to Canopy

Attach the handle to the canopy as shown below.

1

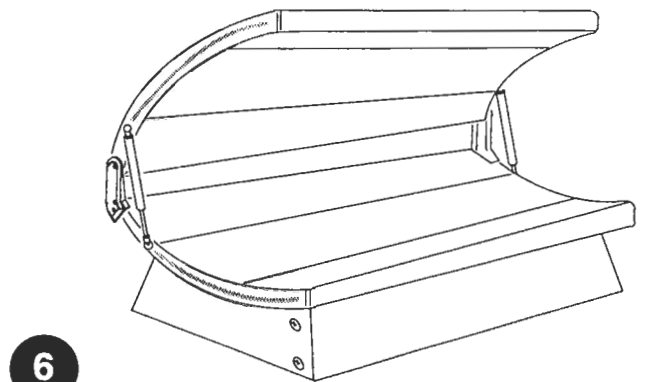
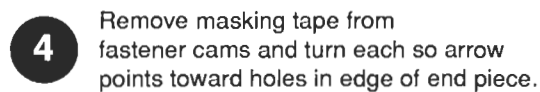
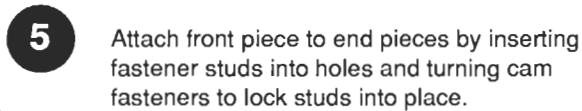
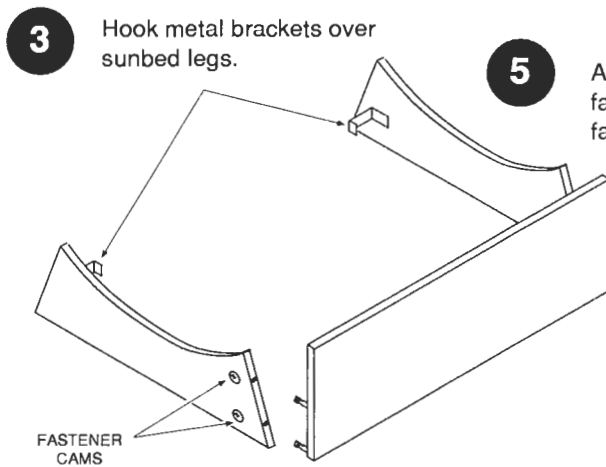
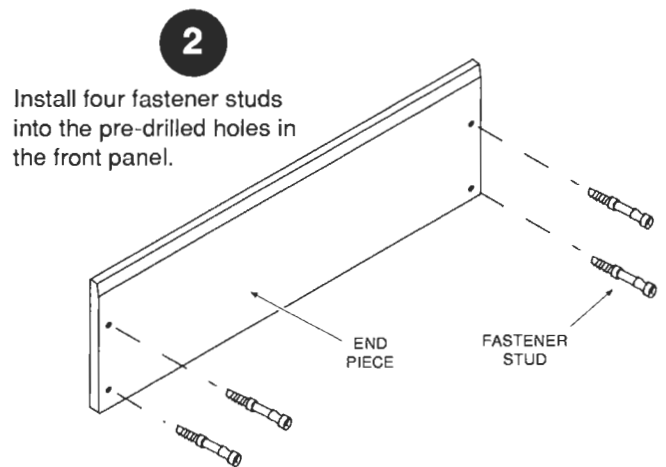
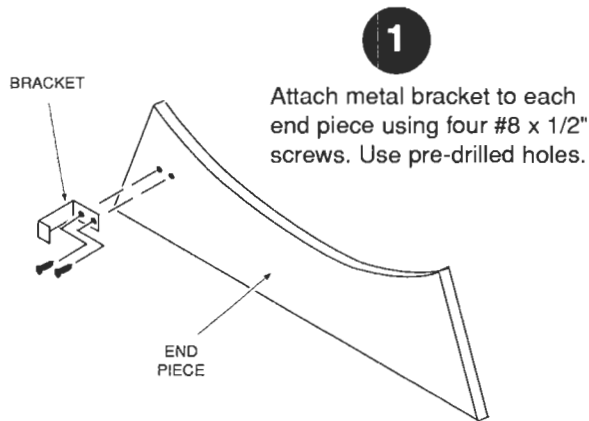
Install handle by inserting two 2 1/2" x 10 screws (from hardware kit) into pre-drilled holes on the canopy as shown.



## Assembly Procedures (cont'd)

### Assembling Pedestal

Assemble the pedestal base and attach it to the sunbed as shown below.



After installing pedestal, sunbed should look like this.

# Making Electrical Connections

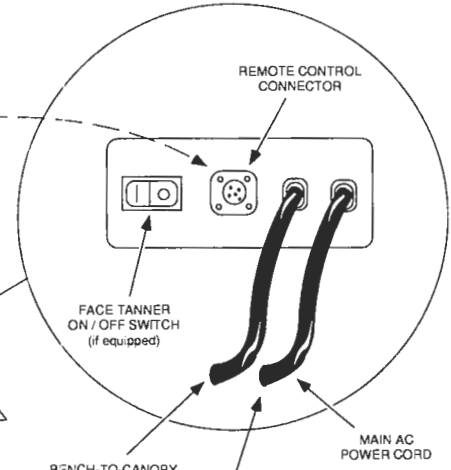
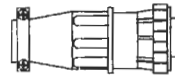
Make electrical connections as shown below.

**WARNING !**  
 Be sure ac power is disconnected before connecting cables.

**1**

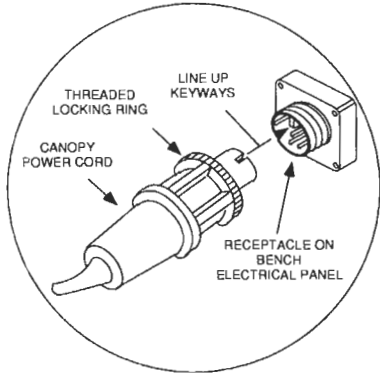
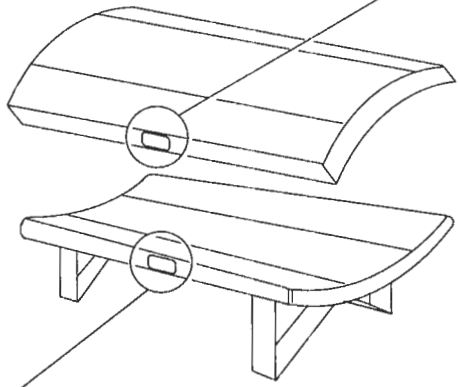
Your sunbed is designed to accept an input from a remote control device. The remote control is optional and is not included with your sunbed. Connect the Remote Control Bypass to the Remote Control Connector as shown. Your sunbed will not operate without the bypass connected.

**Remote Bypass**



**2**

Connect the canopy-to-bench cable to the bench receptacle. The plug is polarized; simply align the key and tighten using the threaded locking ring, as shown.



**3**

Plug the three-prong 220 VAC power cord into a dedicated outlet (as shown on page 3). The voltage must be between 215 V and 230 V.

## Before You Tan

Before using your sunbed, please note the following important precautions:

- ▶ Your skin should be free of cosmetics, tanning oils, or other body lotions prior to tanning except for those specifically made for use with tanning devices. Also, do not remove natural body oils by bathing or showering immediately before tanning.
- ▶ Some medications may **increase your sensitivity** to ultraviolet light. It is recommended that you consult a physician before using this sunbed if taking any medication or if you suspect that your skin might be especially sensitive to sunlight. Included with this manual is an FDA booklet on medications that increase sensitivity to light.
- ▶ As with all electrical appliances, **do not operate this device near water or while you are wet.**

## Exposure Times

We recommend that you tan every other day until you have completed 7 sessions. After you have acquired your base tan, you should use your sunbed once or twice a week to maintain your tan. Be sure to follow the guidelines for skin type and exposure times as shown in the table below.

**Skin Types and Recommended Exposure Times**  
(Times shown in minutes)

Skin Type	Week			
	1	2	3	Maximum
Sensitive (Burns easily and severely and does not tan)	Not Recommended for tanning			
Light (Burns easily and severely and tans minimally)	2	4	6	8
Normal (Burns moderately and tans average)	4	6	8	11
Dark (Burns minimally, tans easily and above average)	6	8	11	15



---

---

## Using Your Sunbed

Once you have read *Before You Tan* and *Exposure Times* (located on page 12), you are ready to use your sunbed. Proceed as follows.

- Step 1.** Your sunbed came with a pair of protective eye goggles. **Always** wear these or another approved pair of goggles. Regular sunglasses **do not** provide adequate protection from ultra-violet light.
- Step 2.** For units equipped with a face tanner, activate the face tanner by placing the rocker switch located on the electrical panel on the rear of the canopy into the "1" (ON) position. If you do not wish to use the face tanner, leave the switch in the "0" (OFF) position.
- Step 3.** Set the timer (on the top of the canopy) to the desired number of minutes (after first determining the proper time period from the table on page 12). The lamps will turn on as soon as you move the rotary dial from the "0" position.
- Step 4.** Lift the canopy, lie down on the bench (face up), and lower the canopy toward your body. For best results, position the canopy as close as possible to your body, but **do not bring the canopy any closer than 1 inch from your body.**
- Step 5.** When the timer reaches 0, the lamps will automatically turn off. Be sure to raise the canopy before sitting up. The cooling fans run for 3-5 minutes after the lamps shut off to aid in cooling the sunbed.

---

---

## *Cleaning After Use*

Clean and disinfect your tanning bench after each use. Use a non-abrasive disinfectant cleaner that **does not contain ammonia or ammonia derivatives**. Ammonia may damage the acrylic shield. Spray the acrylic lightly with disinfectant and wipe dry with a clean soft cloth. We recommend *SunQuest* disinfectant and *SunQuest* acrylic cleaner.

---

---

## *Thorough Periodic Cleaning*

### *Introduction*

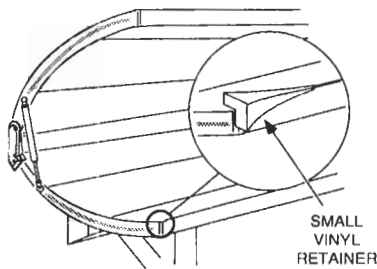
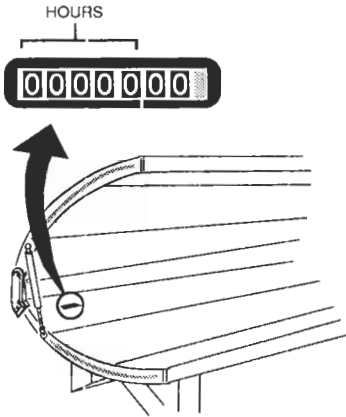
Occasionally, it is necessary to thoroughly clean inside your bench and canopy to ensure trouble free operation and to maximize its tanning efficiency.

**Warning!** Disconnect sunbed from electrical power before cleaning.

### *Cleaning the Canopy and Bench*

- Step 1.** Remove the acrylic shields and lamps as described on page 15.
- Step 2.** With a soft cloth, wipe the entire length of each lamp to remove any film build-up.
- Step 3.** Clean both sides of the acrylic shields with a non-ammonia disinfectant cleaner.
- Step 4.** Wipe the reflectors with a clean damp cloth.
- Step 5.** Re-install the lamps and acrylic shields as described on page 15.

## Replacing Lamps



### Introduction

Your tanning bench has an hour meter which keeps track of how many hours the sunbed has been in operation. Use this meter to determine when your tanning lamps should be replaced. To be assured of maximum tanning effectiveness, change lamps after approximately 800 hours of use. Tanning will continue up to 1000 hours but at a slower rate. (Canopies with face tanners should have the complete cassette replaced every 400-500 hours of face tanner use.)

**Warning!** Disconnect sunbed from electrical power before servicing.

### Removing / Replacing Acrylic Shields

- Step 1.** The acrylic shields in the canopy and bench are both secured in place by vinyl retainer strips which run the length of the canopy and bench, both front and back. To remove either shield, gently pry up one end of the small front vinyl retainer, then work your way along the full length of the acrylic shield, pulling the retainer free, until the retainer is removed. Repeat for small rear retainer. The edges of the acrylic are now exposed.
- Step 2.** Standing at the front of the unit, lift the acrylic slightly and carefully slide the exposed side of the acrylic shield toward you and remove it from the unit, being careful not to scratch the silkscreen. This will be easier with the help of another person.
- Step 3.** After changing lamps, replace the acrylic shield by carefully aligning it with the channels on the ends of the unit and sliding it into place. Replace each vinyl retainer by pressing it into place at one end of the unit, then work out towards the other end, gently pushing it into place.

## Replacing Lamps (Continued)

### Removing / Replacing Lamps

After removing the acrylic shield, replace lamps as follows:

- Step 1.** Grasp the lamp at one end and at the middle, then turn the lamp clockwise until the dimple on the metal portion of the lamp aligns with the opening of the lamp holder. The lamp may then be gently removed from its holder.
- Step 2.** To re-install a lamp, insert the pins located on the ends of the lamp into the slots on top of the lamp holder and turn the lamp clockwise 90 degrees.

### Recommended Replacement Lamps

Do not use lamps other than those specified below. Doing so is a violation of Federal law and will void your warranty. These lamps have an average life span of 800-1000 hours (facial lamps 400-500 hours) of effective tanning use. Lamps used longer than that lose their effectiveness even though they will continue to light.

*Only the following lamp types have been certified for use in SunQuest Solariums*

Application	Lamp Model Number
Canopy and Bench	Diamondsun Wolff Model 59T1280W Diamondsun Wolff Model 71T12100W Diamondsun S Wolff Model 59T1280W Diamondsun S Wolff Model 71T12100W
Facial Unit (if applicable)	Philips Model HPA 400/30s

---

---

## Timer Maintenance

Your *SunQuest* sunbed is equipped with a backup shut-off timer which will automatically turn off the sunbed in the unlikely event of a malfunction of the primary timer. This important safety feature also prevents the user from re-setting the timer before the end of the pre-set maximum time interval. The electronic timer limiting circuit is automatically reset each time the primary timer is turned to the OFF position.

Annually, or whenever your sunbed is re-lamped, check the operation and accuracy of the timer system as follows. DO NOT perform these tests with a person in the sunbed.

- Step 1.** Using a good watch with a digital or sweep second hand, check the ON time at the ten minute interval. After the sunbed shuts off, reset the time to the maximum timer interval. Your unit should shut off within plus or minus 10% of the maximum timer interval.
  
- Step 2.** Set the timer to the maximum time interval. Wait ten minutes, then turn the knob back to the maximum time position. The electronic time limiting circuit should turn the sunbed off at an elapsed time equal to approximately 10% beyond the maximum timer interval, even though the primary timer continues to show time left.

Call ETS Customer Service if your timer does not operate properly, or if you experience difficulty with these tests.

**Problem / Solution Chart**

Problem	Solution
Lamps fail to light	<ol style="list-style-type: none"> <li>1) Check source of ac power. Reset circuit breaker or replace fuse if necessary.</li> <li>2) Make sure the unit is plugged into outlet.</li> <li>3) Make sure cord between canopy and bench is properly connected. Refer to page 11.</li> <li>4) Make sure timer dial is turned to a number past 0.</li> <li>5) Be sure the remote bypass has been installed. Refer to page 11.</li> </ol>
One or more lamps fail to light	<ol style="list-style-type: none"> <li>1) Switch unlit lamp with a lamp that lights. If the new lamp lights and old lamp still does not, replace old lamp.</li> <li>2) Your sunbed contains standard ballasts and starters, try replacing starter. Locate the starter next to the lamp end and twist counterclockwise and pull to remove from holder. Temporarily install a starter from a working lamp and check to see if lamp now lights. If it does, old starter is bad and must be permanently replaced.</li> <li>3) If replacing lamp and starter does not remedy problem, contact your service representative.</li> </ol>
Canopy fails to stay in the up or down position	<ol style="list-style-type: none"> <li>1) Adjust the gas springs as described on page 8.</li> <li>2) Replace gas springs when they no longer have sufficient power to aid in lifting the canopy.</li> </ol>
Sunbed does not stay lit	<ol style="list-style-type: none"> <li>1) Check source of ac power. Reset circuit breaker or replace fuse if necessary.</li> <li>2) Check timer system per maintenance instructions on page 17. Contact your local service representative.</li> </ol>



## Obtaining Service

To arrange for service, or for more information about your sunbed, contact ETS as follows:

CALL FOR SERVICE OR QUESTIONS:

1-800-228-6292



6270 Corporate Drive  
Indianapolis, IN 46278-2900

Manufactured for *SunQuest* by:  
Spectrum Products, Inc.  
6220 Churchman Bypass  
Indianapolis, Indiana 46203

