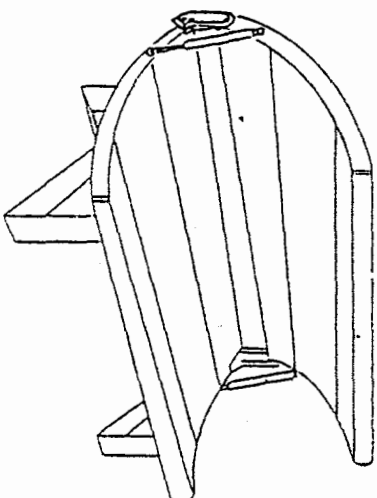


Sunquest®

Assembly and User Guide



Models Pro 245 / 245F
Pro 265X / 265XF / 265X2F



Welcome!

Congratulations on your purchase of this technologically advanced sun tanning unit. It has been designed to provide years of dependable service for you.

Please read all the instructions in this booklet before installing and using the unit. Always be sure to observe all safety precautions.

Contents

Safety Information	iii
Installation	1
Unpacking and Inspection	1
Tools Required	2
Pre-Installation Planning	3
Assembly Procedures	4
Making Electrical Connections	11
Operation	12
Before You Tan	12
Exposure Times	12
Using Your Sunbed	13
Care and Maintenance	14
Cleaning After Use	14
Thorough Periodic Cleaning	14
Replacing Lamps	15
Timer Maintenance	17
Troubleshooting	18
Obtaining Service	19



Installation

Unpacking & Inspection

Your sunbed comes in two cardboard cartons, one for the bench and one for the canopy. Open the cartons and remove the bench and canopy as follows:

Step 1. The bench and canopy are each wrapped in a plastic bag and secured in the carton with self-hardening insulating foam. Use your hands to pull as much of the foam as you can from the corners of the carton.

Step 2. Pull apart the plastic bag and pull it down over the corners of the bench and canopy. With a helper, grasp the bed and pull it from the carton bottom, leaving the plastic bag and the remaining foam. Do the same for the bench.

The canopy box contains the canopy unit and a pair of gas springs. The bench box contains the following items:

- Bench unit
- BlisterPak containing necessary assembly hardware and remote bypass
- Box containing two leg stands and vinyl-covered pillow
- Box containing pedestal assembly
- Assembly and User Guide

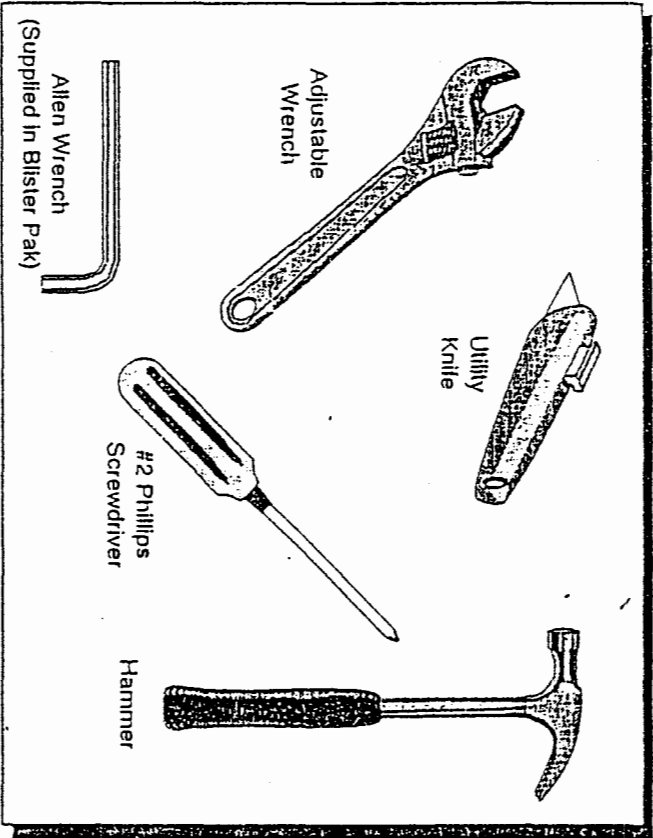
Inspect these items, including the canopy and bench, and make sure they are free from any visible damage. Report the extent of any damage to the transportation company.





Tools Required

You'll need the following tools to assemble your sunbed:



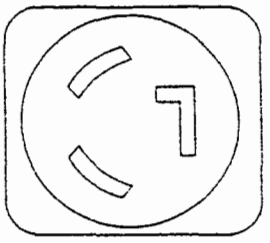
Pre-Installation Planning

Before you begin to assemble your sunbed, you should observe the following pre-installation considerations.

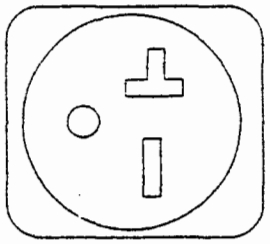
- Your sunbed operates from a 220 V ac source. You should have an electrical outlet (like the type shown below) installed in the room in which you will use the unit. The outlet should be on a dedicated circuit capable of providing 30 Amp (PRO 26 models) or 20 Amp (PRO 20 and 24 models) service. (We recommend installation by a professional electrician.)

IMPORTANT!

Use of a voltage source above 230 V ac or below 215 V ac may prevent proper operation of the sunbed and could cause damage and void the warranty.



30 Amp Twist Lock
(Insert plug and twist to lock)



20 Amp Push In

- Make sure the room in which you intend to use your sunbed is well ventilated. Air from the room is used to cool the sunbed, and a poorly ventilated room may cause the unit to become hot and cause discomfort to the user.
- Your sunbed is designed to operate in an ambient room temperature of 80°F maximum and 70% relative humidity.
- Place your sunbed no closer than 12" from any wall. Make sure that curtains, drapes, and other room furniture do not obstruct the airflow into the end caps or out of the fan opening areas.
- Proper assembly of your sunbed requires two persons. Plan to have a helper assist you.



Troubleshooting

Problem / Solution Chart

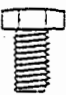


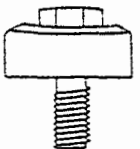
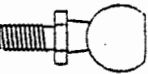
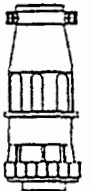


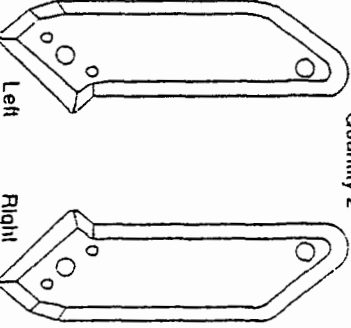
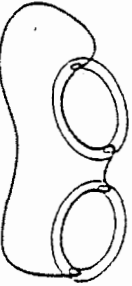
Problem	Solution
Lamps fail to light	<ol style="list-style-type: none">1) Check source of ac power. Reset circuit breaker or replace fuse if necessary.2) Make sure the unit is plugged into outlet.3) Make sure cord between canopy and bench is properly connected. Refer to page 11.4) Make sure timer dial is turned to a number past 0.5) Be sure the remote bypass has been installed. Refer to page 11.
One or more lamps fail to light	<ol style="list-style-type: none">1) Switch unit lamp with a lamp that lights. If the new lamp lights and old lamp still does not, replace old lamp.2) Your sunbed contains standard ballasts and starters, try replacing starter. Locate the starter next to the lamp end and twist counterclockwise and pull to remove from holder. Temporarily install a starter from a working lamp and check to see if lamp now lights. If it does, old starter is bad and must be permanently replaced.3) If replacing lamp and starter does not remedy problem, contact your service representative.
Canopy fails to stay in the up or down position	<ol style="list-style-type: none">1) Adjust the gas springs as described on page 8.2) Replace gas springs when they no longer have sufficient power to aid in lifting the canopy.
Sunbed does not stay lit	<ol style="list-style-type: none">1) Check source of ac power. Reset circuit breaker or replace fuse if necessary.2) Replace timer. Contact your local service representative.



Assembly Procedures

Hardware Inventory

Before you begin, use the utility knife to cut open the BlisterPak and remove the small bag of hardware. In addition to a small Allen wrench, safety goggles, and the remote bypass, make sure you have the following hardware items.

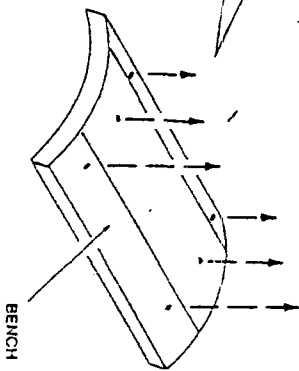
 Bolt 5/16" x 1/2" Quantity 2	 Allen-Head Bolt 5/16" x 1" Quantity 2	 Screw #10 x 1 1/2" Quantity 4
 Pivot Stud Support Quantity 2	 Pivot Stud Quantity 4	 Remote Bypass Quantity 1
 Saucer Washer Quantity 2	 Plastic Cap Quantity 2	 Hinge Brackets Quantity 2 Left Right
 Safety Goggles Quantity 1		

Assembly Procedures (cont'd)

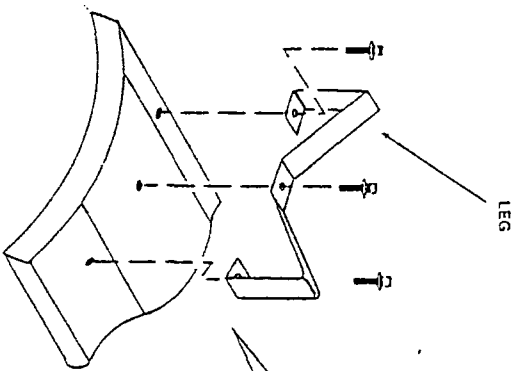
Attaching Legs to Bench

Lay the bench upside down on the floor. Locate the two legs and attach to the bench as shown below.

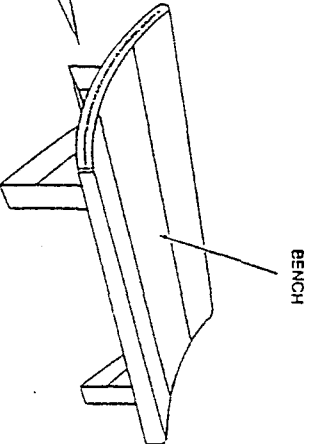
1 Remove six (6) Allen-head bolts with washers from bottom of bench.



2 Using bolts and washers removed in Step 1, attach legs as shown. Install center bolt first. You may have to gently push sides of legs in to align holes. Tighten with Allen wrench.



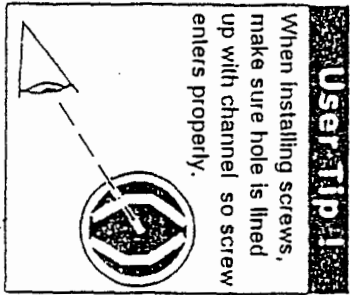
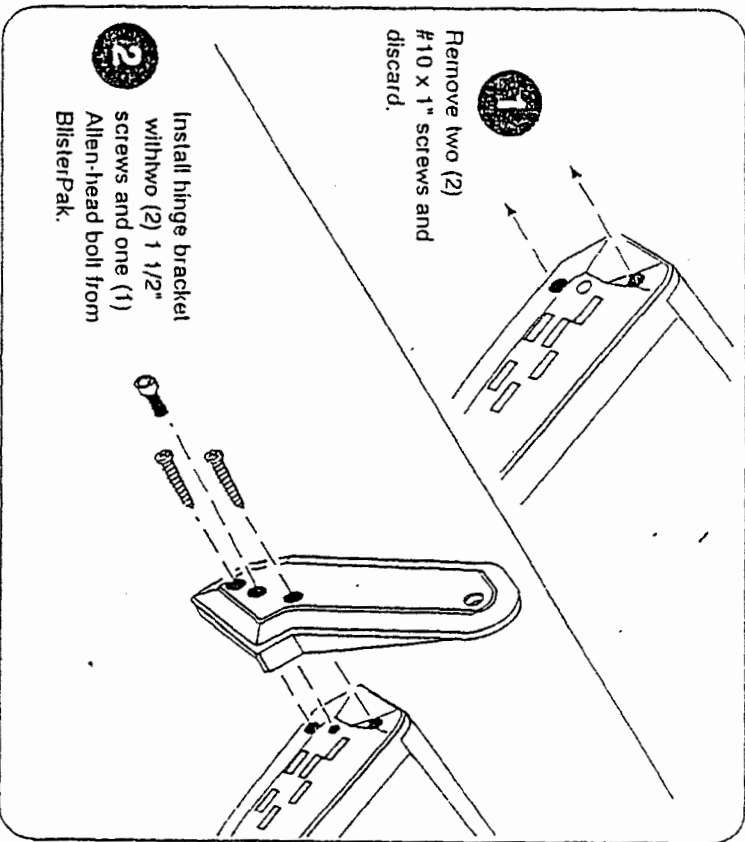
3 Turn bench right side up on floor. Place so that power receptacle is facing toward wall outlet.



Assembly Procedures (cont'd)

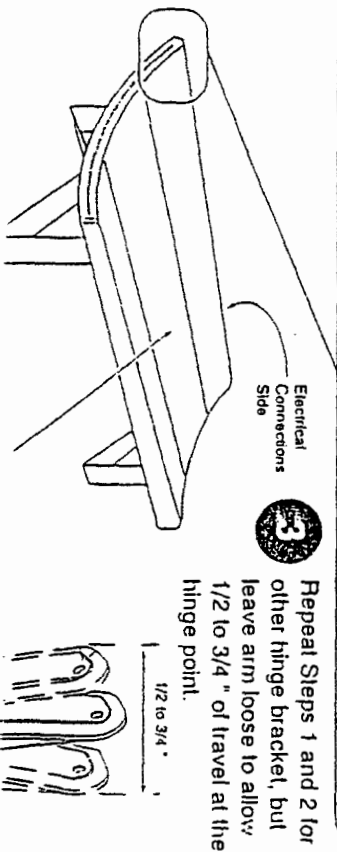
Attaching Hinge Brackets to Bench
 Locate the two hinge brackets and attach to the bench as shown below.

User Tip 1
 When installing screws, make sure hole is lined up with channel so screw enters properly.

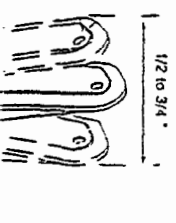
1 Remove two (2) #10 x 1" screws and discard.

2 Install hinge bracket with two (2) 1 1/2" screws and one (1) Allen-head bolt from BlisterPak.



3 Repeat Steps 1 and 2 for other hinge bracket, but leave arm loose to allow 1/2 to 3/4" of travel at the hinge point.

Electrical Connections Side

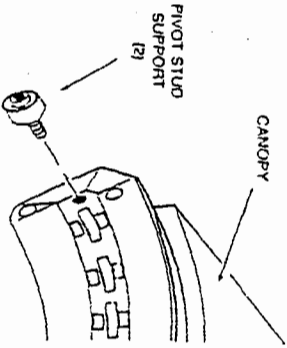


1/2 to 3/4"



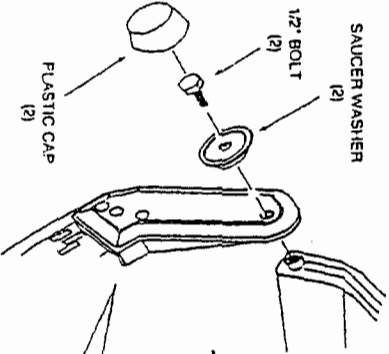
Assembly Procedures (cont'd)

Attaching Canopy to Bench
Attach the canopy to the bench as shown below. This will require at least two people.

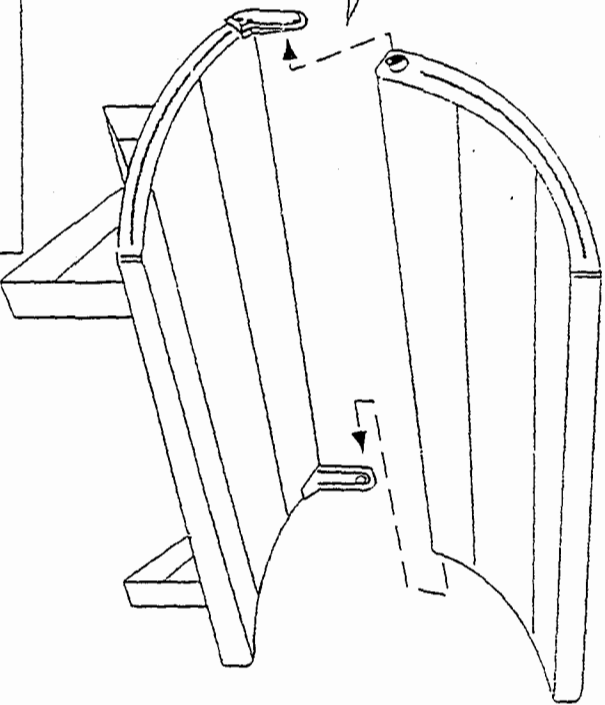


1 Install two (2) pivot stud supports from BlisterPak in each end of canopy as shown. Tighten with wrench. Do not overtighten to avoid damaging threaded insert.

2 With the help of another person, lift canopy and install between the support hinge brackets, inserting the nylon bushings into the pivot points on the inside of the arms. With helper supporting canopy, fully tighten hinge bracket left loose in Step 2 on page 6.



3 Secure canopy to arms using two (2) 1/2" bolts and saucer washers. Tighten each bolt firmly, but do not overtighten. Snap plastic caps over washers to cover bolt heads.

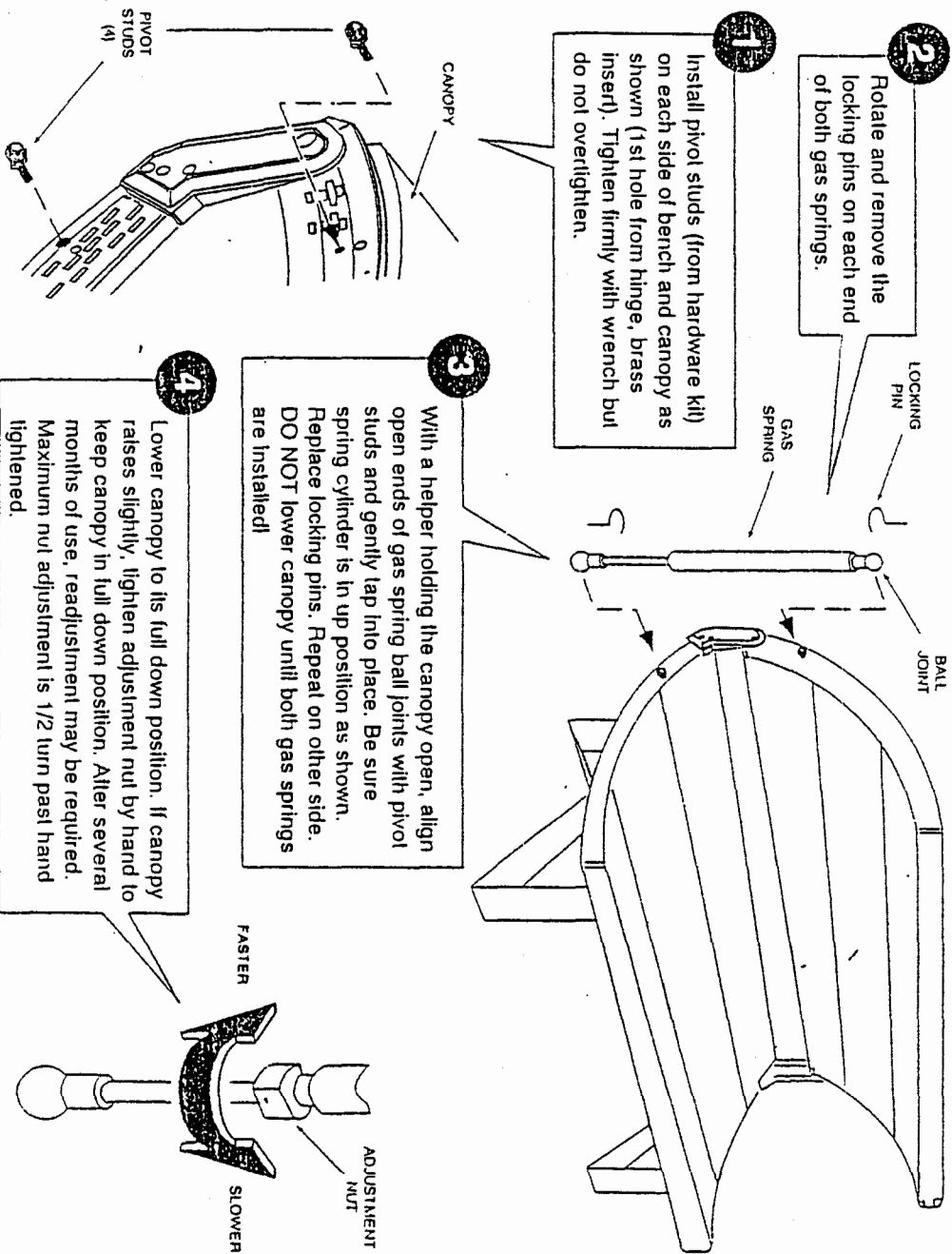


Assembly

Procedures (cont'd)

Attaching Gas Springs

Attach the gas springs (located in canopy box) between the canopy and the bench as shown below. You will need another person to help you lift the canopy.

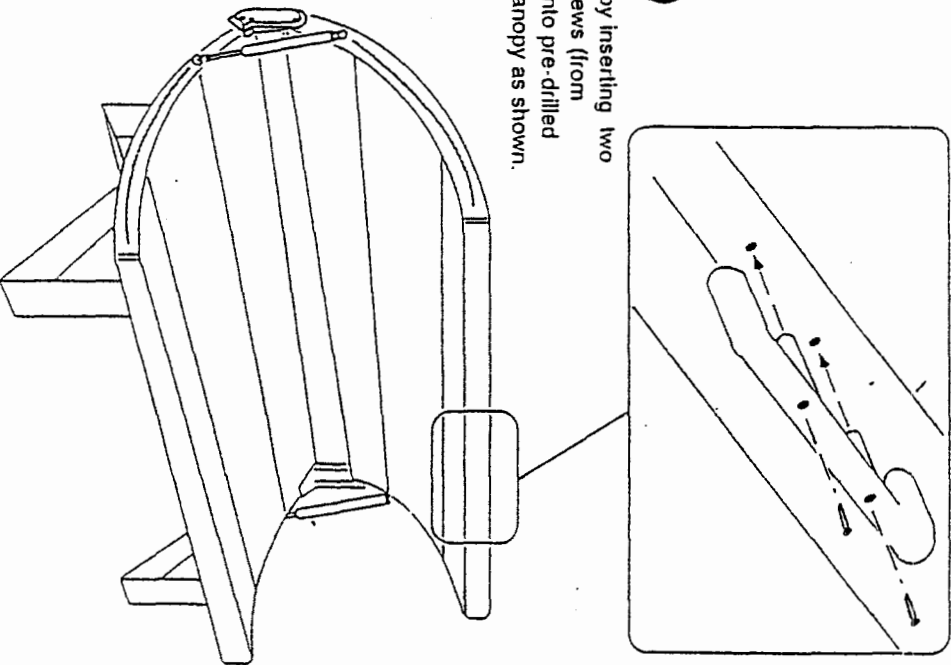


**Assembly
Procedures (cont'd)**

Attaching Handle to Canopy
Attach the handle to the canopy as shown below.

1

Install handle by inserting two
Ø 1/2" x 10 screws (from
hardware kit) into pre-drilled
holes on the canopy as shown.



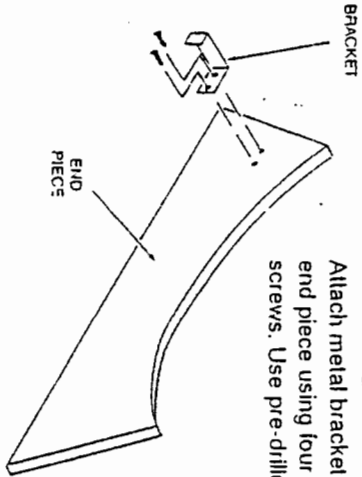
Assembly Procedures (cont'd)

Assembling Pedestal

Assemble the pedestal base and attach it to the sunbed as shown below.

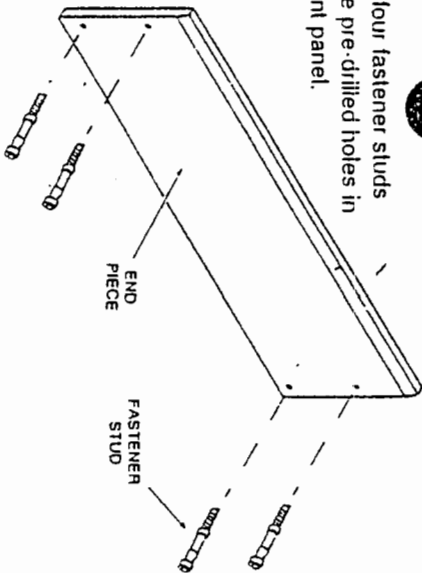
4

Attach metal bracket to each end piece using four #8 x 1/2" screws. Use pre-drilled holes.



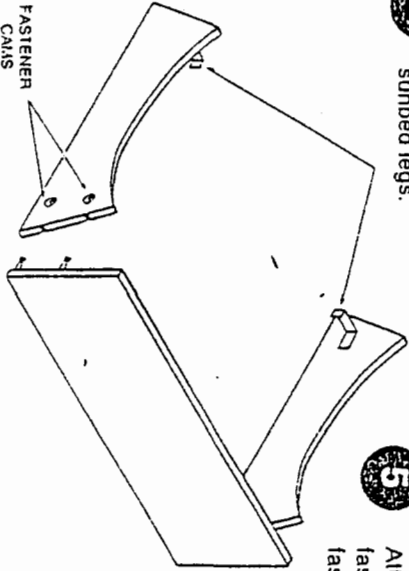
2

Install four fastener studs into the pre-drilled holes in the front panel.



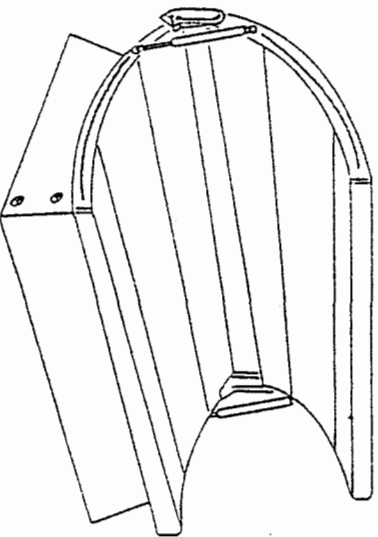
3

Hook metal brackets over sunbed legs.



5

Attach front piece to end pieces by inserting fastener studs into holes and turning cam fasteners to lock studs into place.



7

Remove masking tape from fastener cams and turn each so arrow points toward holes in edge of end piece.

6

After installing pedestal, sunbed should look like this.



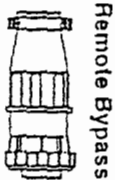


Making Electrical Connections

Make electrical connections as shown below.

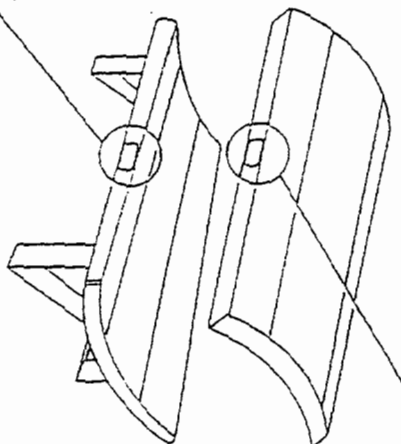
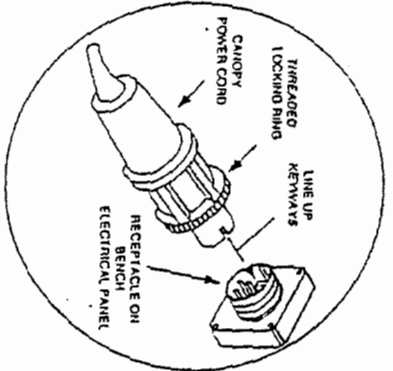
WARNING!
Be sure ac power is disconnected before connecting cables.

1
Your sunbed is designed to accept an input from a remote control device. The remote control is optional and is not included with your sunbed. Connect the Remote Control Bypass to the Remote Control Connector as shown. Your sunbed will not operate without the bypass connected.

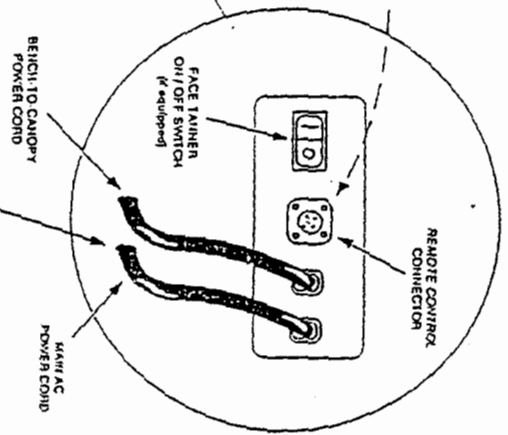


Remote Bypass

2
Connect the canopy-to-bench cable to the bench receptacle. The plug is polarized; simply align the key and lighten using the threaded locking ring, as shown.



3
Plug the three-prong 220 VAC power cord into a dedicated outlet (as shown on page 3). The voltage must be between 215 V and 230 V.





Operation

Before You Tan

Before using your sunbed, please note the following important precautions:

- Your skin should be free of cosmetics, tanning oils, or other body lotions prior to tanning except for those specifically made for use with tanning devices. Also, do not remove natural body oils by bathing or showering immediately before tanning.
- Some medications may increase your sensitivity to ultraviolet light. It is recommended that you consult a physician before using this sunbed if taking any medication or if you suspect that your skin might be especially sensitive to sunlight.
- As with all electrical appliances, do not operate this device near water or while you are wet.

Exposure Times

We recommend that you tan every other day until you have completed 7 sessions. After you have acquired your base tan, you should use your sunbed once or twice a week to maintain your tan. Be sure to follow the guidelines for skin type and exposure times as shown in the table below.

Skin Types and Recommended Exposure Times
(Times shown in minutes)

Skin Type	Week			
	1	2	3	Maximum
Sensitive (Burns easily and severely and does not tan)	Not Recommended for tanning			
Light (Burns easily and severely and tans minimally)	4	6	8	10
Normal (Burns moderately and tans average)	6	8	11	15
Dark (Burns minimally, tans ease)	8	11	15	20



Using Your Sunbed

Once you have read *Before You Tan* and *Exposure Times* (located on page 12), you are ready to use your sunbed. Proceed as follows.

- Step 1.** Your sunbed came with a pair of protective eye goggles. Always wear these or another approved pair of goggles. Regular sunglasses do not provide adequate protection from ultra-violet light.
- Step 2.** For units equipped with a face tanner, activate the face tanner by placing the rocker switch located on the electrical panel on the rear of the canopy into the "I" (ON) position. If you do not wish to use the face tanner, leave the switch in the "O" (OFF) position.
- Step 3.** Set the timer (on the top of the canopy) to the desired number of minutes (after first determining the proper time period from the table on page 12). The lamps will turn on as soon as you move the rotary dial from the "0" position.
- Step 4.** Lift the canopy, lie down on the bench (face up), and lower the canopy toward your body. For best results, position the canopy as close as possible to your body, but do not bring the canopy any closer than 1 inch from your body.
- Step 5.** When the timer reaches 0, the lamps will automatically turn off. Be sure to raise the canopy before sitting up. The cooling fans run for 3-5 minutes after the lamps shut off to aid in cooling the sunbed.



Care and Maintenance

Cleaning After Use

Clean and disinfect your tanning bench after each use. Use a non-abrasive disinfectant cleaner that does not contain ammonia or ammonia derivatives. Ammonia may damage the acrylic shield. Spray the acrylic lightly with disinfectant and wipe dry with a clean soft cloth. We recommend SunQuest disinfectant and SunQuest acrylic cleaner.

Thorough Periodic Cleaning

Introduction

Occasionally, it is necessary to thoroughly clean inside your bench and canopy to ensure trouble free operation and to maximize its tanning efficiency.

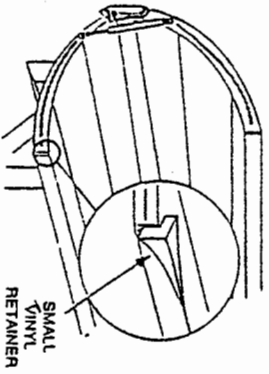
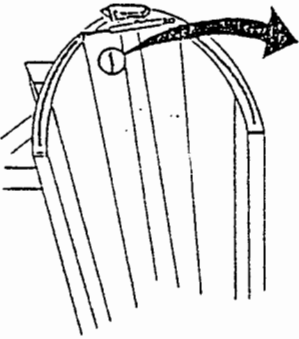
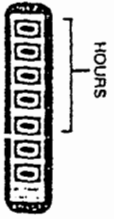
Warning! Disconnect sunbed from electrical power before cleaning.

Cleaning the Canopy and Bench

- Step 1. Remove the acrylic shields and lamps as described on page 15.
- Step 2. With a soft cloth, wipe the entire length of each lamp to remove any film build-up.
- Step 3. Clean both sides of the acrylic shields with a non-ammonia disinfectant cleaner.
- Step 4. Wipe the reflectors with a clean damp cloth.
- Step 5. Re-install the lamps and acrylic shields as described on page 15.



Replacing Lamps



Introduction

Your tanning bench has an hour meter which keeps track of how many hours the sunbed has been in operation. Use this meter to determine when your tanning lamps should be replaced. To be assured of maximum tanning effectiveness, change lamps after approximately 800 hours of use. Tanning will continue up to 1000 hours but at a slower rate. (Canopies with face tanners should have the complete cassette replaced every 400-500 hours of face tanner use.)

Warning! Disconnect sunbed from electrical power before servicing.

Removing / Replacing Acrylic Shields

- Step 1.** The acrylic shields in the canopy and bench are both secured in place by vinyl retainer strips which run the length of the canopy and bench, both front and back. To remove either shield, gently pry up one end of the small front vinyl retainer, then work your way along the full length of the acrylic shield, pulling the retainer free, until the retainer is removed. Repeat for small rear retainer. The edges of the acrylic are now exposed.

- Step 2.** Standing at the front of the unit, lift the acrylic slightly and carefully slide the exposed side of the acrylic shield toward you and remove it from the unit, being careful not to scratch the silkscreen. This will be easier with the help of another person.

- Step 3.** After changing lamps, replace the acrylic shield by carefully aligning it with the channels on the ends of the unit and sliding it into place. Replace each vinyl retainer by pressing it into place at one end of the unit, then work out towards the other end, gently pushing it into place.



Replacing Lamps (Continued)

Removing / Replacing Lamps

After removing the acrylic shield, replace lamps as follows:

Step 1. Grasp the lamp at one end and at the middle, then turn the lamp clockwise until the dimple on the metal portion of the lamp aligns with the opening of the lamp holder. The lamp may then be gently removed from its holder.

Step 2. To re-install a lamp, insert the pins located on the ends of the lamp into the slots on top of the lamp holder and turn the lamp clockwise 90 degrees.

Recommended Replacement Lamps

Do not use lamps other than those specified below. Doing so is a violation of Federal law and will void your warranty. These lamps have an average life span of 800-1000 hours (facial lamps 400-500 hours) of effective tanning use. Lamps used longer than that lose their effectiveness even though they will continue to light.

Only the following lamp types have been certified for use in SunQuest Solariums

Application	Lamp Model Number
Canopy and Bench	Diamondsun Wolff Model 59T1280W
	Diamondsun Wolff Model 71T12100W
	Diamondsun S Wolff Model 59T1280W
	Diamondsun S Wolff Model 71T12100W
Facial Unit (if applicable)	Philips Model HPA 400/30s





Timer Maintenance

Your SunQuest sunbed is equipped with a backup shut-off timer which will automatically turn off the sunbed in the unlikely event of a malfunction of the primary timer. This important safety feature also prevents the user from re-setting the timer before the end of the pre-set maximum time interval (20 minutes). The electronic timer limiting circuit is automatically reset each time the primary timer is turned to the OFF position.

Annually, or whenever your sunbed is re-lamped, check the operation and accuracy of the timer system as follows. **DO NOT** perform these tests with a person in the sunbed.

Step 1. Using a good watch with a digital or sweep second hand, check the ON time at the ten minute interval. After the sunbed shuts off, reset the time to the maximum timer interval. Your unit should shut off within plus or minus of the maximum timer interval.

Step 2. Set the timer to the maximum time interval. Wait ten minutes, then turn the knob back to the maximum time position. The electronic time limiting circuit should turn the sunbed off at an elapsed time equal to approximately 10% beyond the maximum timer interval, even though the primary timer continues to show time left.

Call ETS Customer Service if your timer does not operate properly, or if you experience difficulty with these tests.

