

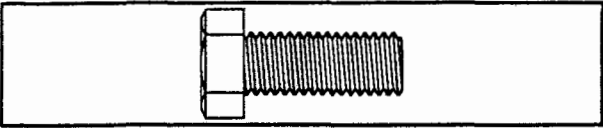
TECHNICAL MANUAL

Assembly and Service manual

SUNQUEST PRO 24 XL
SUNQUEST PRO 24 XLF

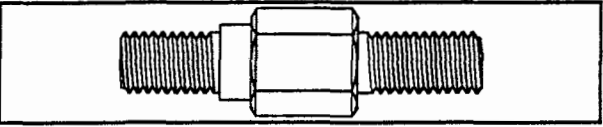
document: TMBH101
art.: 382155
init: 9304
rev.: -

ASSEMBLY PARTS



TM370322

1 Bolt M8x20 4x



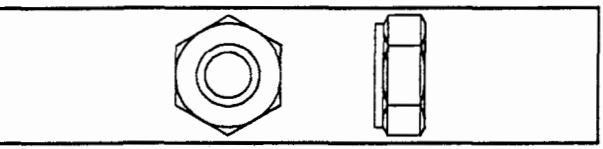
TM370900

2 Pivot stud 2x



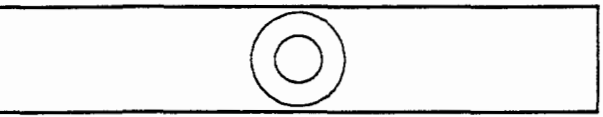
TM370603

3 Nut M6 (on bench) 8x



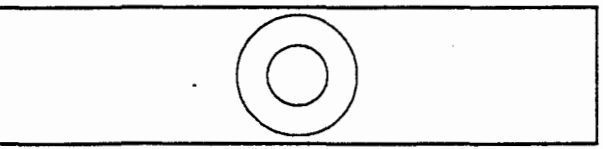
TM370621

4 Torque nut M8 2x



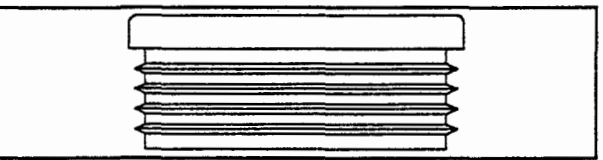
TM370643

5 Washer M6 (on bench) 8x



TM370644

6 Washer M8 4x



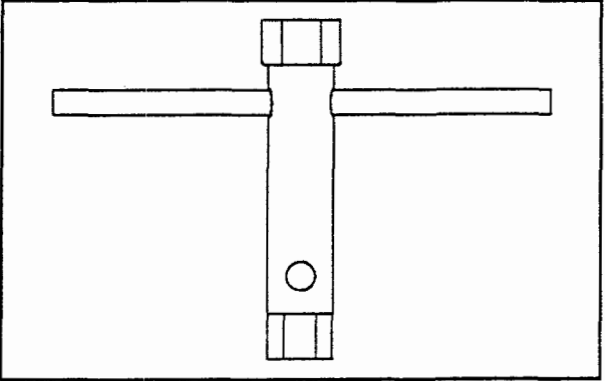
TM337000

7 Plastic cap 50x25 4x



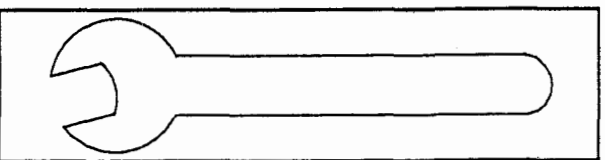
TM337100

8 Plastic cap $\varnothing 26$ 6x



TM371020

9 Nut spinner 1x

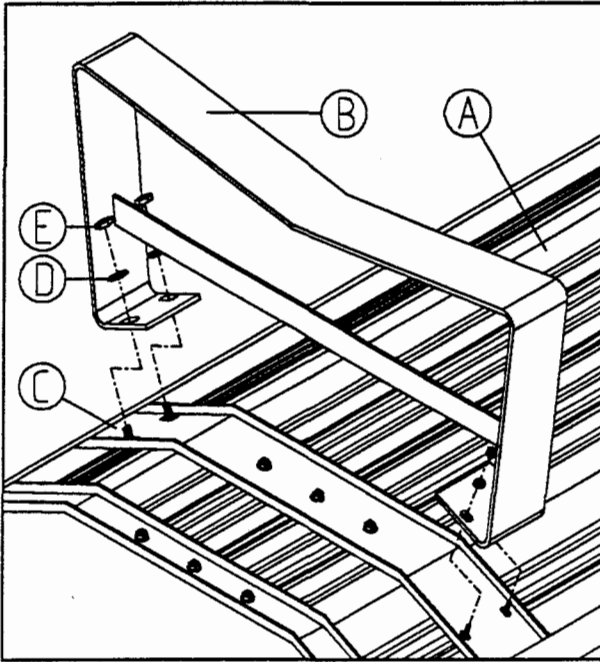


TM371010

10 Wrench 1x

ASSEMBLY

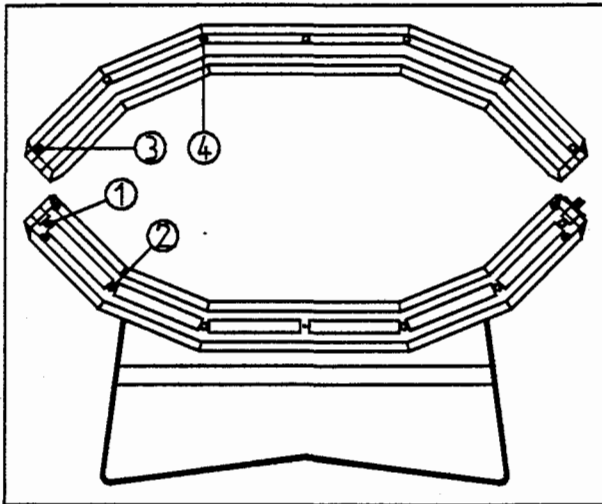
1.



TMTH009

Lay the bench (A) upside down on the floor. Attach the legs (B) by means of the nuts nbr.3 (E) and the washers nbr.5 (D) in the position where the appropriate bolts (C) have been placed. Use hex key nbr.9.

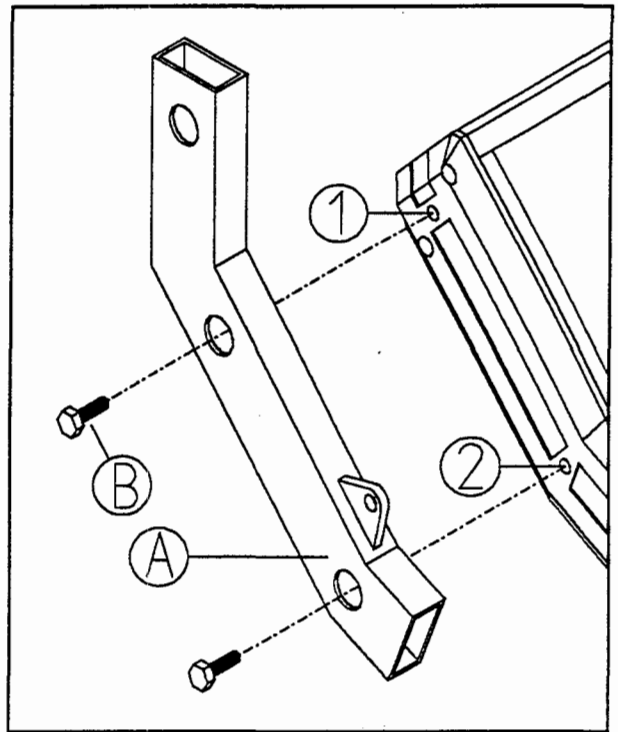
2.



TMTH026

Remove the cover plugs from the end pieces of the bench and the canopy on the points 1, 2, 3 and 4.

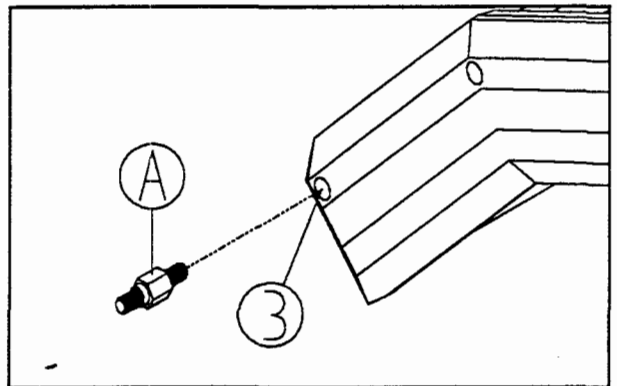
3.



TMTH010

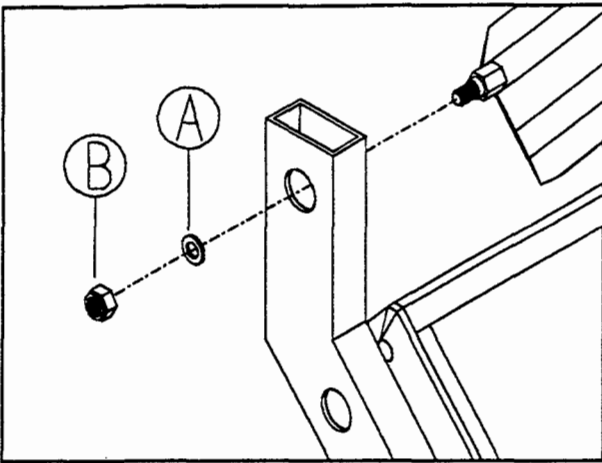
Assemble the support brackets (A) to the ends of the bench at the points 1 and 2 by means of the bolts nbr.1 (B). Leave one side untightened for the moment.

4.



TMTH011

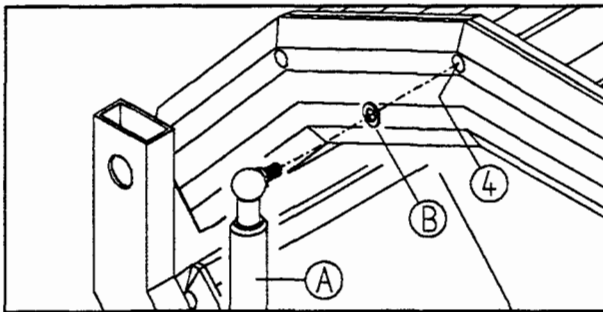
Attach the pivot studs nbr.2 (A), with the exposed end to the outside, on both sides of the canopy in position 3. Use nut spinner nbr.9.



TMTH012

Lift up the canopy with the help of two persons and place it between the support brackets. Now secure the final support bracket to the bench. Attach the assembly by means of the washers nbr.6 (A) and the torque nuts nbr.4 (B). Use nut spinner nbr.9.

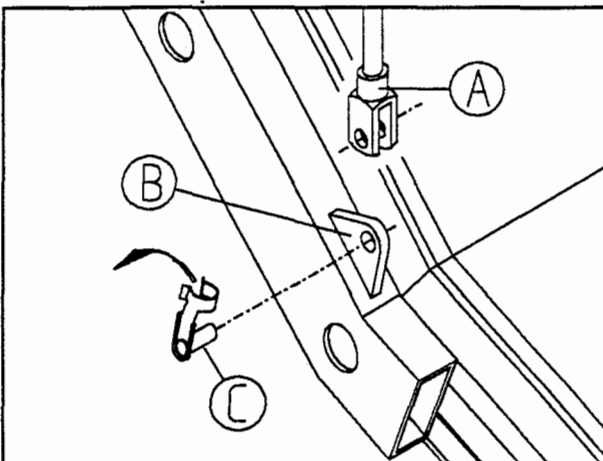
6.



TMTH013

Mount the gas absorbers (A), together with the washers nbr.6 (B) on both sides of the canopy at point 4. Use wrench nbr.10.

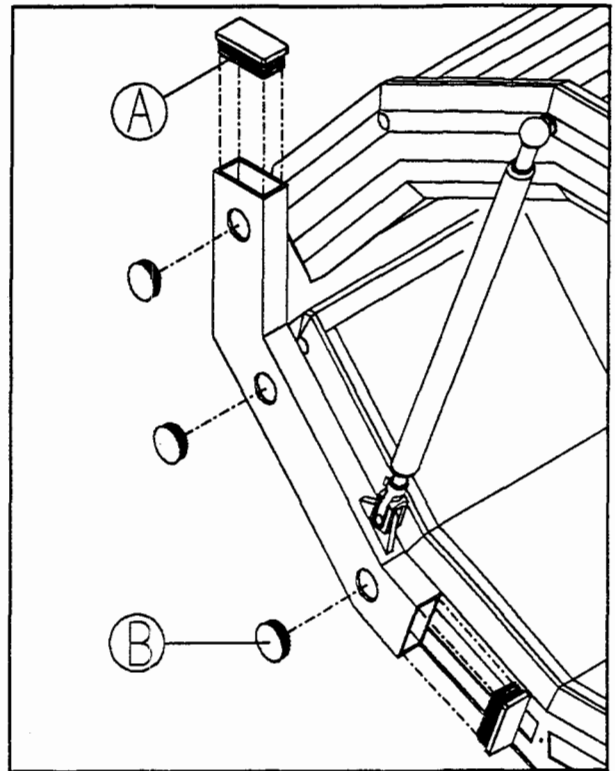
7.



TMTH014

Keeping the canopy in the upright position, attach the gas absorber (A) to the bracket (B) by means of the clip (C). Insert the clip through the fork of the gas absorber and through the bracket and then turn the clip in the direction of arrow. When both gas absorbers have been attached, the canopy will remain in the open position without being held.

8.



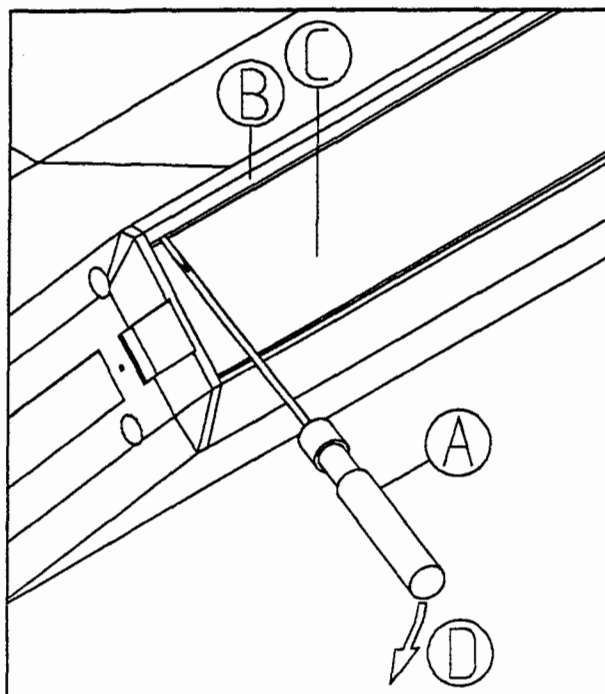
TMTH015

Insert the plastic caps nbr.7 (A) and nbr.8 (B). Remove the protective plastic from the acrylic sheets and place the cushion at the head end.

9.

Insert the plug of the connection cord from the canopy into the socket on the fan plate, which is on the head end of the bench. Check if the voltage rating of your facilities corresponds with the rating on the type label. Then insert the plug of the power cord into a grounded wall socket. Your unit is now ready for use.

ACRYLIC SHEET



TMTH019

When you wish to remove the acrylic sheet from the bench, please do the following:

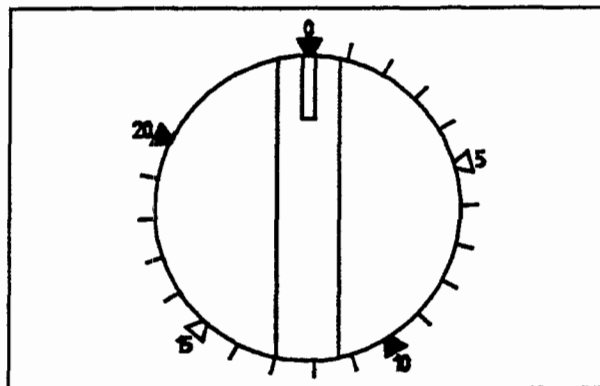
Put a screw-driver (A) of at least 6 mm in the gap between the plastic strip (B) and the plastic profile (C) and move it in the direction of arrow D. Pull the strip towards you at the same time. The strip can be loosened over the whole length now. Do this on both sides of the bench. The acrylic sheet can then be removed.

When you wish to remove the acrylic sheet from the canopy, please do the following:

Loosen the four screws at the front of the canopy and remove the white aluminium profile.

The acrylic sheet can now be removed with the help of two persons.

TIME SETTING



TMTH027

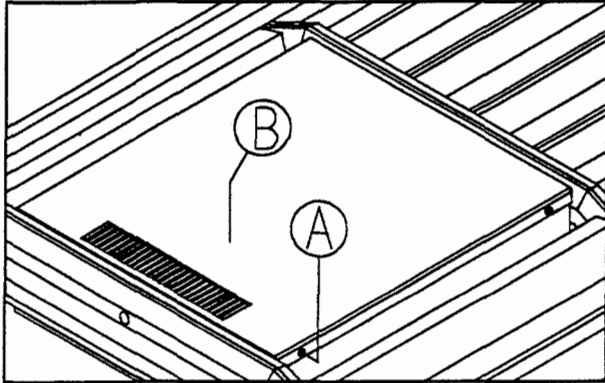
You can set the timer to the required number of minutes by turning it clockwise.

After the time has expired the timer will switch off automatically. If you want to switch off your unit sooner, the timer should be turned anti-clockwise to the zero position.

If your unit comes with a face tanner, you can switch these on and off with the timer of the face tanner in the same way. This only works when the unit is switched on.

FACE TANNER

This chapter is only applicable if your unit comes with one face tanner.



TMTH017

When you want to exchange the high-pressure lamp, please do the following:

Loosen the four screws (A) from the cassette and remove cover plate (B). You will then find a reflector which forms an entire unit with the glass plates and the lamp holders. This unit can be raised a little and then turned over. Now both glass plates can be slide out of the reflector one at a time.

The lamp can now be exchanged. **BE CAREFUL:** never touch the lamp glass with your fingers! Fit the new lamp in position by means of a clean cloth or a piece of paper. The lamp holders have spring contacts in order to snap the lamp easily into place. Assemble the unit in reverse order as described above.

**SUNQUEST
PRO
24 XL
24 XLF**