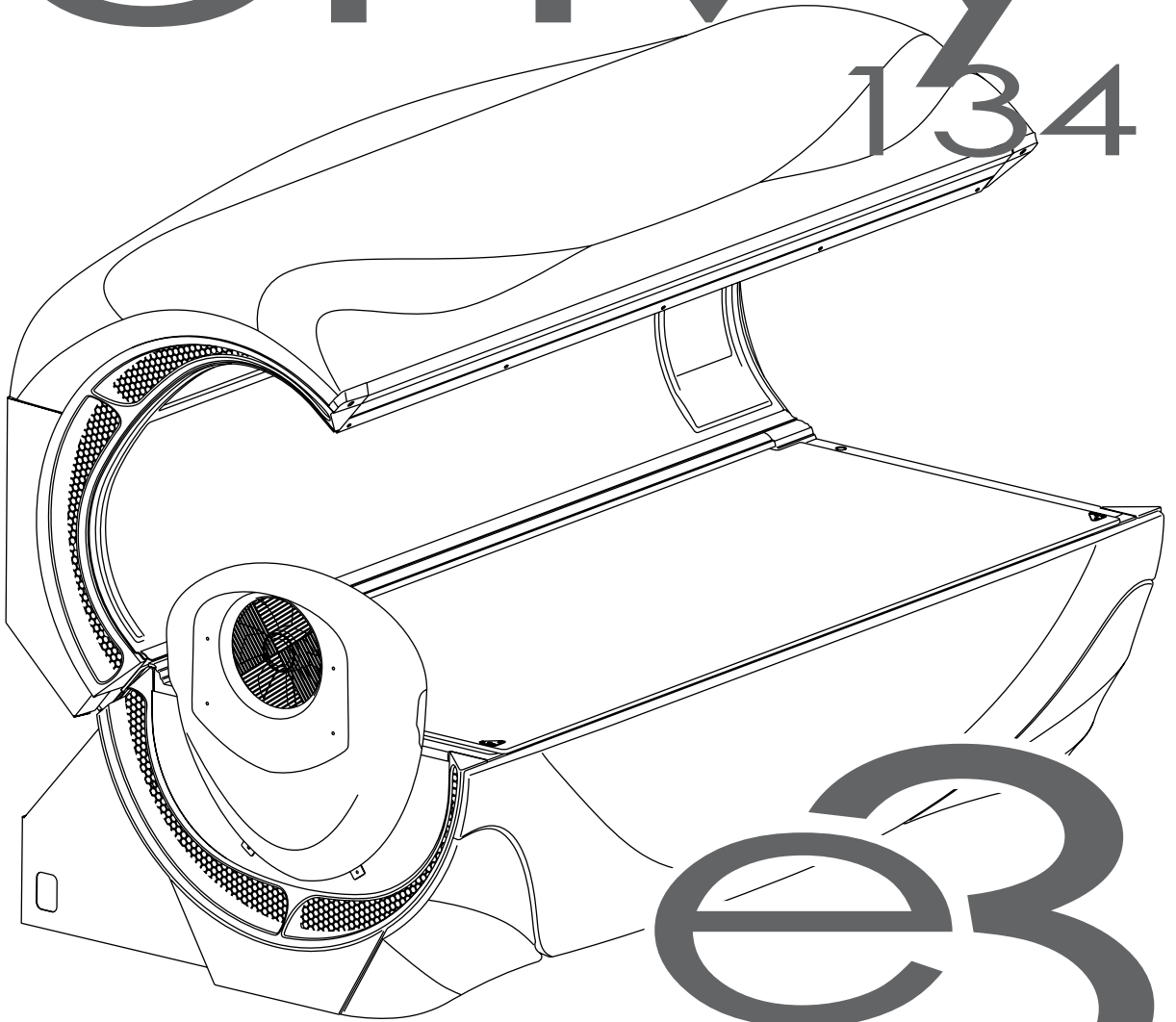


u l t i m a t e
e n v y TM

134



e3

u s e r m a n u a l

LIMITED WARRANTY

JK Products & Services (JK) warrants your tanning unit to be free of structural defects in material and workmanship, under normal use, for its lifetime. **JK** will, at its discretion, repair any structural defect which materially affects the performance of the tanning unit, or replace the tanning unit.

For twelve (12) months following the purchase date of your tanning unit, **JK** will provide replacements for parts that prove to be defective in material or workmanship, with the following exceptions: fluorescent lamps are warranted against manufacturer's defects for a period of thirty (30) days; acrylics are warranted against manufacturer's defects for a period of one (1) year (prorated) following the purchase date of your tanning unit. Standard ground shipping charges will be covered for the entire twelve (12) months of this warranty period. Any upgraded shipping method charges will be paid for by the customer.

Labor costs associated with repair or replacement work covered by this warranty will be reimbursed for repair or replacement work required to be performed for a period of ninety (90) days following the purchase date of your tanning unit. Normal wear and tear, damage from misuse or abuse, damage incurred in transit or damages resulting from unauthorized repairs or modifications are not covered by this warranty. Warranty coverage does not include cosmetic abnormalities such as scratches, nicks, dents, or other cosmetic changes that do not materially interfere with the function of the tanning unit.

THIS WARRANTY IS EXPRESSLY MADE IN LIEU OF ANY OTHER WARRANTIES, EXPRESS OR IMPLIED, INCLUDING ANY IMPLIED WARRANTIES OF MERCHANTABILITY AND FITNESS FOR A PARTICULAR PURPOSE, WHICH ARE HEREBY DISCLAIMED. No one has the authority to change or modify this **One Year Warranty** in any respect. Proof of purchase, including serial number, is required for any warranty coverage.

IN NO EVENT SHALL YOUR DISTRIBUTOR OR THE MANUFACTURER BE LIABLE AT LAW OR IN EQUITY FOR ANY LOSS, LIABILITY, DAMAGE OR EXPENSE IN AN AMOUNT IN EXCESS OF THE PURCHASE PRICE RECEIVED, OR FOR LOSS OF USE OR PROFITS, LOSS OF TIME, INCONVENIENCE, RENTAL OR SUBSTITUTE PRODUCTS, LOSS OF BUSINESS, LOSS OF INCOME, OR ANY OTHER IN-

CIDENTAL, INDIRECT, SPECIAL OR CONSEQUENTIAL DAMAGES. Some states do not allow the exclusion or limitation of incidental or consequential damages, and the above limitation or exclusion will not apply to residents of some states. This **One Year Warranty** gives you specific, legal rights and you may have other rights which may vary from state to state.

JK Products & Services, Inc. makes no guarantees on income, return on investment, market conditions, performance, etc. with any undertaking using its products and services. Past performance is not indicative of future results.

All warranty service must be performed by an authorized service person using only **JK** authorized replacement parts. Use of non-authorized parts may void your warranty. All labor charges must be authorized by **JK** prior to the start of repairs and must not exceed the established rates and time allotment policies established by **JK**. Contact **JK Products & Services** for the authorized Service Center nearest you. This warranty is serial number specific and only applies to tanning units purchased through an authorized **JK** Distributor. This warranty is extended to the individual or legal entity whose name appears on the original sales document and may not be transferred to any other individual or legal entity. This warranty is void if the tanning unit is modified in any manner from its original design.

To obtain warranty service, contact your place of purchase. Proof of purchase, including serial number, is required for verification.

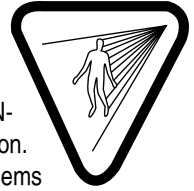
Thank you for purchasing this tanning bed. It has been designed to provide years of dependable service for you.

Please read all the instructions in this booklet before installing and using the unit. Always be sure to observe all safety precautions.

Contents

| | |
|--|----|
| Unpacking and inspection | 6 |
| Pre-installation Planning | 6 |
| Electrical Requirements | 6 |
| Disassembly | 7 |
| Assembly | 20 |
| Electrical Connections | 32 |
| Audio | 33 |
| Mood Mode™ Lighting | 33 |
| Remote Connections | 34 |
| T-Max® Products..... | 34 |
| T-Max® Wireless Remote System | 34 |
| Remote System Hook-up Scenarios | 34 |
| Operation | 38 |
| Before You Tan..... | 38 |
| Exposure Times..... | 38 |
| The Keypad | 39 |
| The Tanning Session..... | 40 |
| Care and Maintenance | 41 |
| Cleaning After Use | 41 |
| Thorough Periodic Cleaning | 41 |
| Cleaning the Canopy and Bench | 41 |
| Mechanical Inspection | 41 |
| Opening / Replacing Acrylics | 42 |
| Removing/Replacing Fluorescent Lamps.. | 42 |
| Replacement Lamps | 42 |
| Removing/Replacing Face Tanner Lamp.. | 43 |
| Troubleshooting..... | 44 |
| Updating Timer Software | 46 |
| Parameters | 46 |

DANGER Ultraviolet radiation. Follow instructions. Avoid overexposure. As with natural sunlight, overexposure can cause eye and skin injury and allergic reactions. Repeated exposure may cause premature aging of the skin and skin cancer. **WEAR PROTECTIVE EYEWEAR; FAILURE TO MAY RESULT IN SEVERE BURNS OR LONGTERM INJURY TO THE EYES.** Medications or cosmetics may increase your sensitivity to the ultraviolet radiation. Consult physician before using sunlamp if you are using medications or have a history of skin problems or believe yourself especially sensitive to sunlight. If you do not tan in the sun, you are unlikely to tan from the use of this product. Children, the elderly, or fair skinned people who always burn easily and either never tan or tan minimally should not use this equipment.



To use, lie down under canopy and pull down as far as adjustment will allow. Do not use without clear plastic panels in place. Untanned persons should not tan on consecutive days during their first week of tanning. Never tan more than once a day. Tanning normally appears after the first few sessions and maximizes after approximately four weeks. Tan once or twice per week thereafter to maintain appearance. Persons already having a base tan may begin at advanced levels corresponding to the extent of their base tan.

| RECOMMENDED EXPOSURE TIMES IN MINUTES | | MAXIMUM EXPOSURE TIME IS 20 MINUTES | | | | |
|---------------------------------------|---|-------------------------------------|---------|---------|---------|---------|
| Skin Type: | | Level 1/Week 1 1st-3rd Sessions | Level 2 | Level 3 | Level 4 | Level 5 |
| I Sensitive Skin | (Burns easily and severely and does not tan.) | NOT RECOMMENDED FOR TANNING | | | | |
| II Light | (Burns easily and severely and tans minimally.) | 4 | 8 | 12 | 16 | 20 |
| III Normal | (Burns moderately and tans average.) | 6 | 10 | 15 | 20 | 20 |
| IV Dark | (Burns minimally, tans easily and above average.) | 8 | 12 | 16 | 20 | 20 |

New lamps emit approximately 10% more ultraviolet radiation during the first 50 hours of operation. Recommended tanning times should therefore be reduced by approximately 10% during that period.

WARNING: • Read the instructions booklet before using this sunlamp product. • All persons in the room should wear protective eyewear when lamps are on. Recommended eyewear: provided eyeshields or equivalent eyewear as defined under 21 CFR 1040.20. Other types of eyewear may not provide adequate protection. Failure to use protective eyewear may result in severe burns or other eye injury. If discomfort develops, discontinue use and consult a physician.

THE FOLLOWING LAMPS HAVE BEEN CERTIFIED FOR USE IN THIS EQUIPMENT:

- ETS ELITE Select Model F71-T12-100W BP
- Heraeus OH C 400 EF (facial unit , if equipped)

Disconnect power before attempting to clean, relamp, or engage in the maintenance of this product

THIS EQUIPMENT MUST BE EARTH GROUNDED.

This product is in conformity with performance standards for sun lamp products under 21 CFR PART 1040.20 and ANSI/UL Standard 482. Certified to CAN/CSA Standard C22.2 NO. 224.

DANGER Rayonnement ultraviolet. Veuillez suivre les instructions. Évitez une exposition excessive. Tout comme pour les rayons du soleil, une exposition excessive peut causer des blessures aux yeux et à la peau et provoquer des réactions allergiques. Une exposition répétée peut causer le vieillissement prématuré de la peau et provoquer le cancer de la peau. **PORTEZ DES LUNETTES PROTECTRICES: LE NON-RESPECT DE CETTE CONSIGNE DE SÉCURITÉ PEUT ENTRAÎNER DE GRAVES BRÛLURES OU DES LÉSIONS OCULAIRES À LONG TERME.** Les médicaments ou les produits cosmétiques peuvent augmenter votre sensibilité au rayonnement ultraviolet. Consultez un médecin avant d'utiliser la lampe solaire si vous prenez des médicaments, si vous souffrez d'une maladie cutanée ou si vous croyez être particulièrement sensible aux rayons du soleil. Si vous ne bronzez pas au soleil, il est peu probable que vous bronzez sous une lampe solaire. Les enfants, les personnes âgées et les personnes qui ont une peau claire qui brûle facilement, ne bronze jamais ou alors très peu, ne devraient pas utiliser cette lampe.

Étendez-vous sous la partie supérieure, puis abaissez celle-ci aussi bas que possible. N'utilisez pas la lampe sans les panneaux de plastique transparents. La première semaine de bronzage, les personnes qui n'ont pas un hâle initial ne doivent pas se faire bronzer tous les jours. Ne vous faites jamais bronzer plus d'une fois par jour. Le bronzage commence normalement à apparaître après les premières séances : il atteint son apogée au bout d'environ quatre semaines. Les personnes qui ont déjà un teint hâlé peuvent commencer à des niveaux plus élevés, selon l'importance de leur hâle initial.

| Type de peau: | LE TEMPS D'EXPOSITION MAXIMAL EST DE 20 MINUTES | | | | |
|--|---|---------|---------|---------|---------|
| | Élevé 1/Semaine 1 1ere-3e | Élevé 2 | Élevé 3 | Élevé 4 | Élevé 5 |
| I Peau sensible (brûle facilement et ne bronze pas) | NON RECOMMANDÉ | | | | |
| II Peau claire (brûle facilement et bronze très peu) | 4 | 8 | 12 | 16 | 20 |
| III Peau normale (brûle et bronze de façon modérée) | 6 | 10 | 15 | 20 | 20 |
| IV Peau foncée (brûle très peu, bronze plus facilement que la moyenne) | 8 | 12 | 16 | 20 | 20 |

Les lampes neuves émettent approximativement 10 % de plus de rayons ultraviolets au cours des 50 premières heures de fonctionnement. Le temps de bronzage doit donc être réduit d'environ 10 % pendant cette période.

AVERTISSEMENT : • Lisez le livret d'instructions avant d'utiliser cette lampe solaire. • Les autres personnes présentes dans la pièce doivent aussi porter des lunettes protectrices lorsque les lampes sont allumées. Coquilles de protection pour les yeux recommandées: Les coquilles de protection fournies ou l'équivalent, tel que le stipule le document 21 CFR 1040.20. Les autres types de lunettes protectrices peuvent ne pas assurer une protection adéquate. Utilisé sans lunettes protectrices, ce produit peut causer des brûlures ou lésions oculaires graves. Si vous souffrez d'un malaise, arrêtez l'utilisation et consultez un médecin.

SEULES LES LAMPES SUIVANTES ONT ÉTÉ HOMOLOGUÉES POUR CET ÉQUIPEMENT :
ETS ELITE Select Modèle F71-T12-100W BP
Heraeus OH C 400 EF (unité faciale : s'il y en a un)

Débrancher l'alimentation électrique avant de nettoyer l'appareil , d'en faire l'entretien ou de changer les lampes

Cet équipement doit être mis à la terre.

Ce produit est conforme aux normes de rendement pour les lampes solaires dans le documents 21 CFR, partie 1040.20 , ANSI/UL 482 , CAN/CSA C22.2 N° 224.

Unpacking and inspection

Your new tanning bed arrives completely assembled. The reason for this is to assure everything has been tested at the factory. Before performing any work, inspect the unit carefully and identify any issues that may have happened during shipping. Notify the transportation company immediately to report any shipping damage.

Record the serial number of the unit in the area provided at the back of this manual. This information will be required whenever you call customer service.

⚠ CAUTION

Proper assembly of your sunbed requires 3-4 people. Plan to have some helpers assist you.

⚠ CAUTION

DO NOT lift the unit using the plastic endcaps. They are not designed to hold the weight of the unit and may break, causing damage to the unit and possible injury.

⚠ CAUTION

Air from the room is used to cool the sunbed. Maximum ambient room temperature should be 80°F. Place your sunbed no closer than 3" from any wall. Make sure nothing obstructs the airflow into or out of the fan openings. A poorly ventilated room may cause the unit to become hot and cause discomfort to the user.

Pre-installation Planning

The following instructions outline a complete disassembly and reassembly. Prepare an area for disassembly to place items prior to installation in the final space.

No hardware has been provided as the hardware needed will be removed during the disassembly process. Be sure to keep track of all hardware removed.

Electrical Requirements

You are responsible for preparing the facility for your tanning bed. Please have an electrician present at the time your tanning bed is installed. That way the installation crew can fully verify all functions before they leave.

This unit runs on 220VAC service and must be hardwired directly to a junction box on a dedicated circuit. **A professional electrician is recommended for electrical installation.**

This unit requires a minimum 20A circuit breaker on a 3-phase line (3 wire plus ground). Alternatively, it requires a minimum 30A circuit breaker on a single phase line (2 wire plus ground). See page 32.

⚠ CAUTION

Use of a voltage source above 245V AC may prevent proper operation of the sunbed and could cause damage and void the warranty.

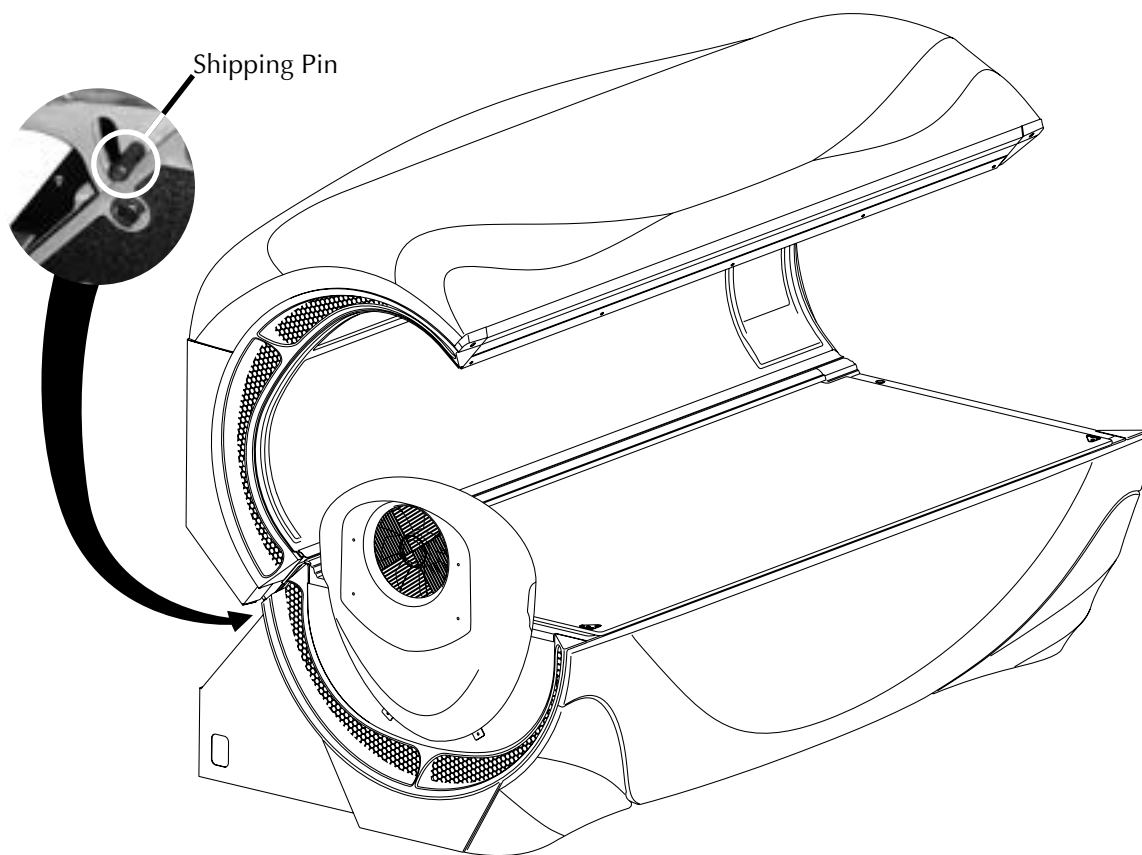
Disassembly

Your new tanning bed arrives completely assembled to assure everything has been tested at the factory. Therefore you must first disassemble the bed before moving it into the salon room.

If, during the disassembly process, you find you can move the unit without further disassembly, feel free to do so and begin the assembly process at a suitable step.

Remember to save all hardware removed. It will all be used during reassembly.

First, remove the shipping pins locking the canopy down and raise the canopy. Pressing the canopy down slightly will loosen the pins so they can be removed easily.



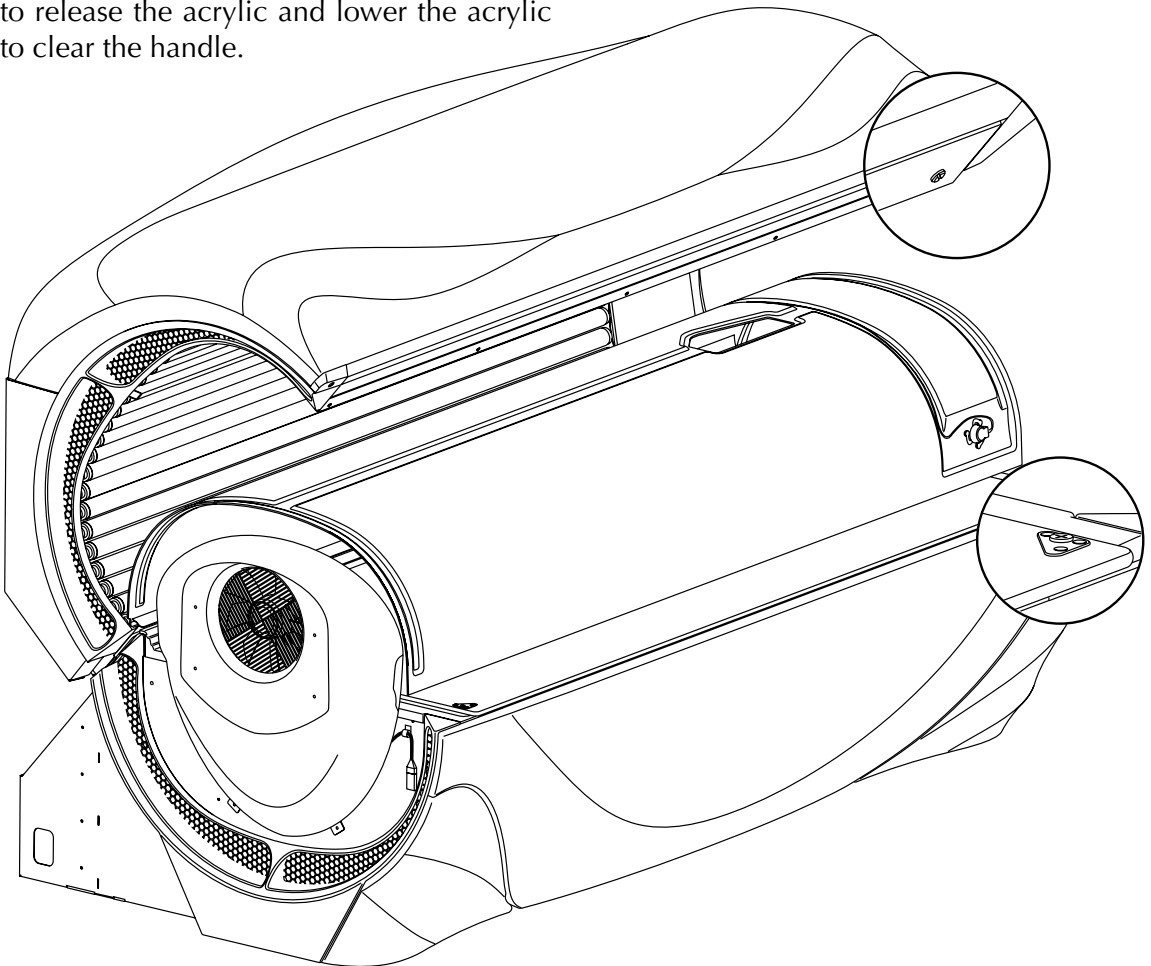
Remove the bench and canopy acrylics.

The bench acrylic is secured by (2) 1/4-20x1" Phillips screws at the front corners. Remove the screws and simply raise the acrylic slightly and pull free of the aluminum channel at the back.

Five captive screws across the front of the canopy hold the canopy acrylic in place. Loosen these screws and the front channel will swing down. The screws will remain in the channel. Swing the channel down farther to release the acrylic and lower the acrylic to clear the handle.

Attached to the canopy acrylic are 2 exciters (speakers). Disconnect the white connector on the wiring harness running from these exciters into the bed.

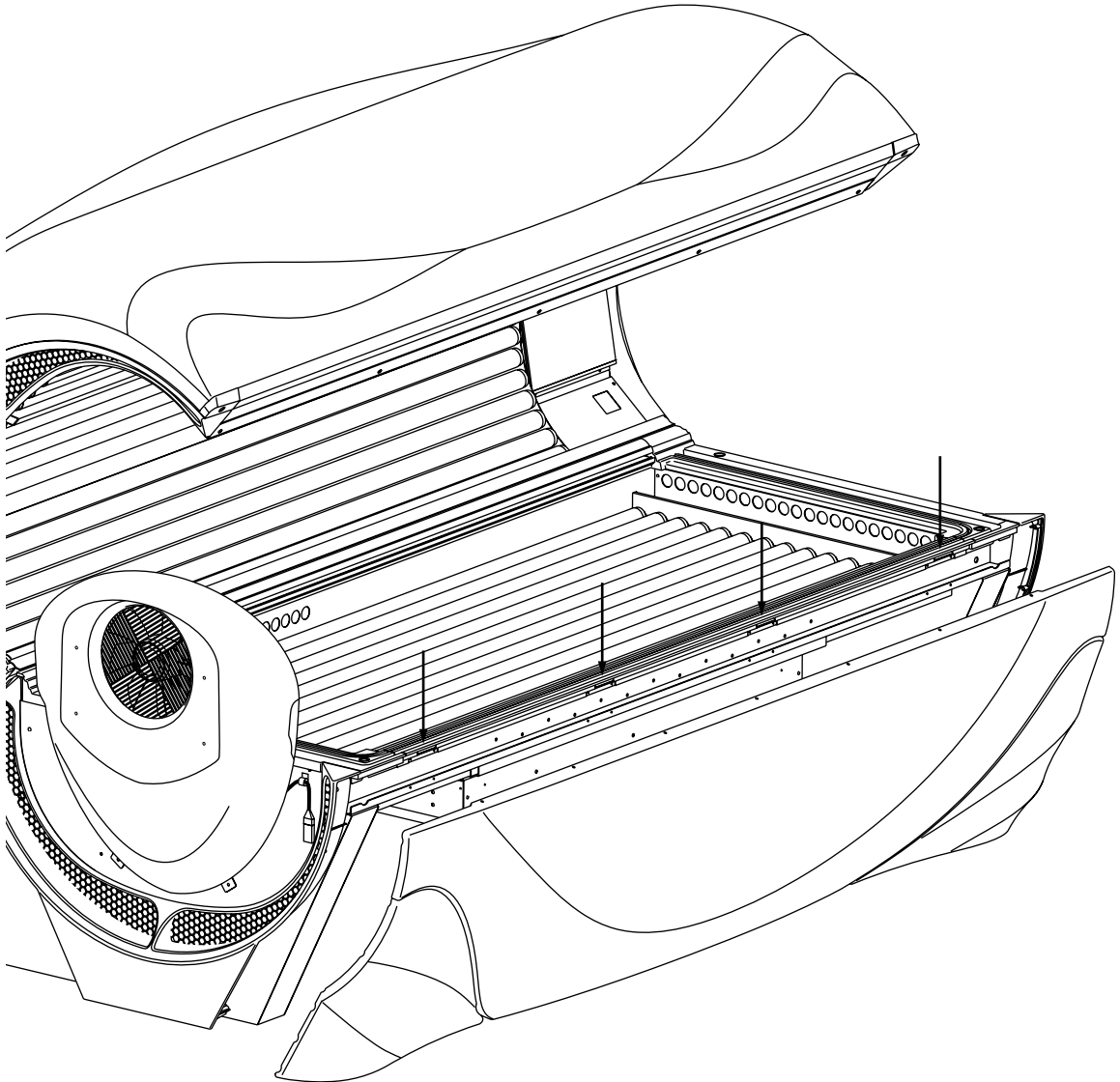
Now lift the acrylic out of the back aluminum channel.



Tucked inside the aluminum channel that supports the bench acrylic are 4 Phillips flat head screws. Loosen these screws a few turns to release the clamps holding the front skirt. Do not remove the screws.

Now tip the skirt forward and lift off the pegs at the bottom.

As the skirt is removed you will find a cable attached. This powers the Mood Mode accent lighting. Disconnect this cable and set the skirt aside.

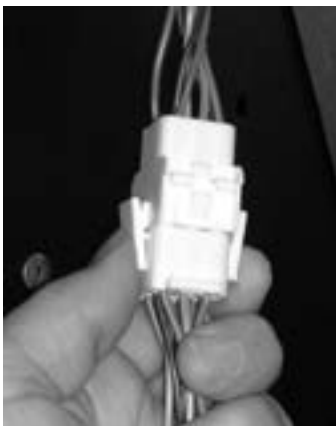


Find the harnesses under the bench and disconnect them all. Don't worry about mixing them up. They are all keyed to only connect to their proper mate.

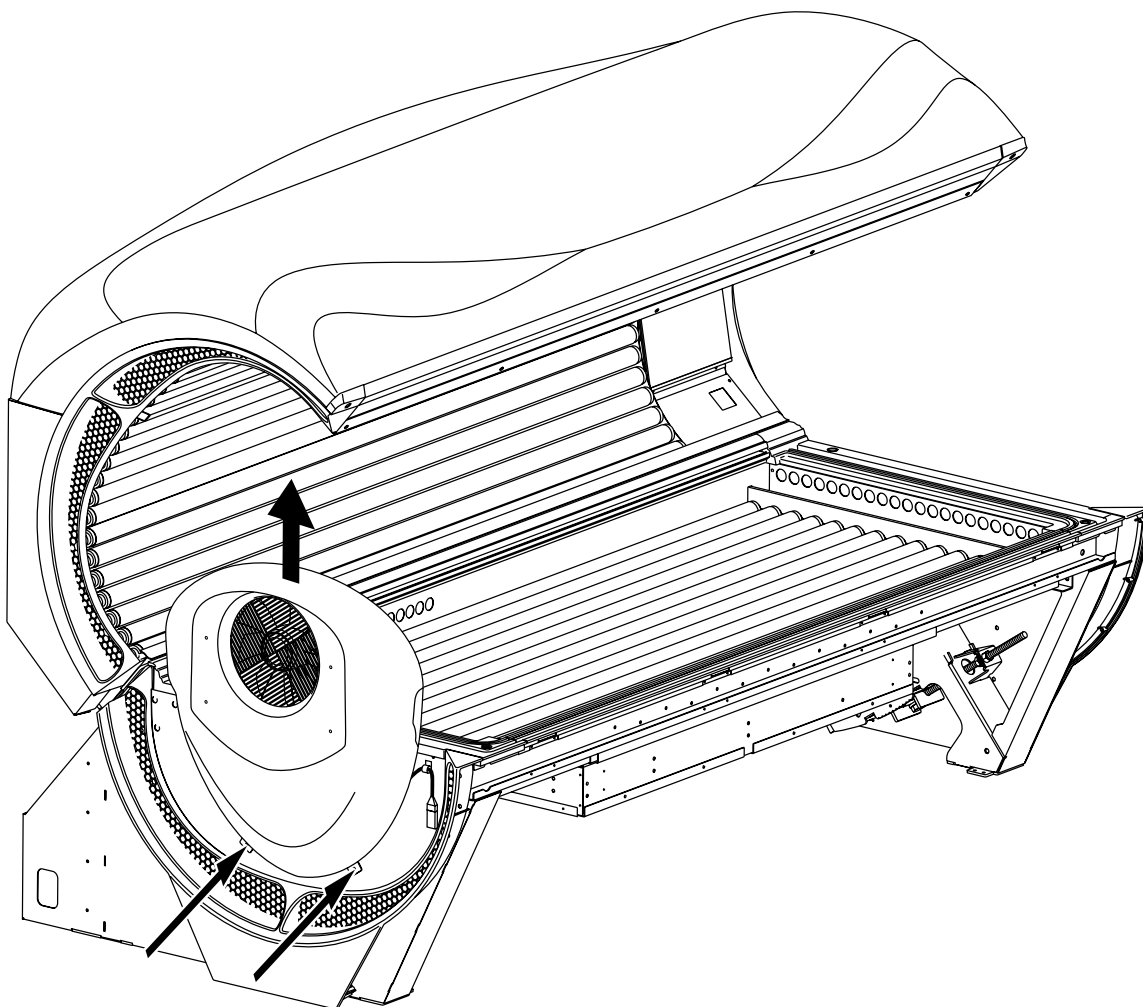
Most harnesses connect with locking receptacles, like the one shown below. Simply squeeze the "wings" on either side and pull the connectors apart. Do not pull on the wires.

A few of the connectors have a wire tie around them. This wire tie is removable and does not need to be cut.

Note: You may find it helpful to label the cables for ease and speed of reassembly. A simple number on the connector with a felt tip pen works great.



The body fan is held in place with (2) #10-24x1/2" screws at the bottom. Remove these screws, then lift the body fan assembly straight up and off the bed. Be careful of the body fan power cable.

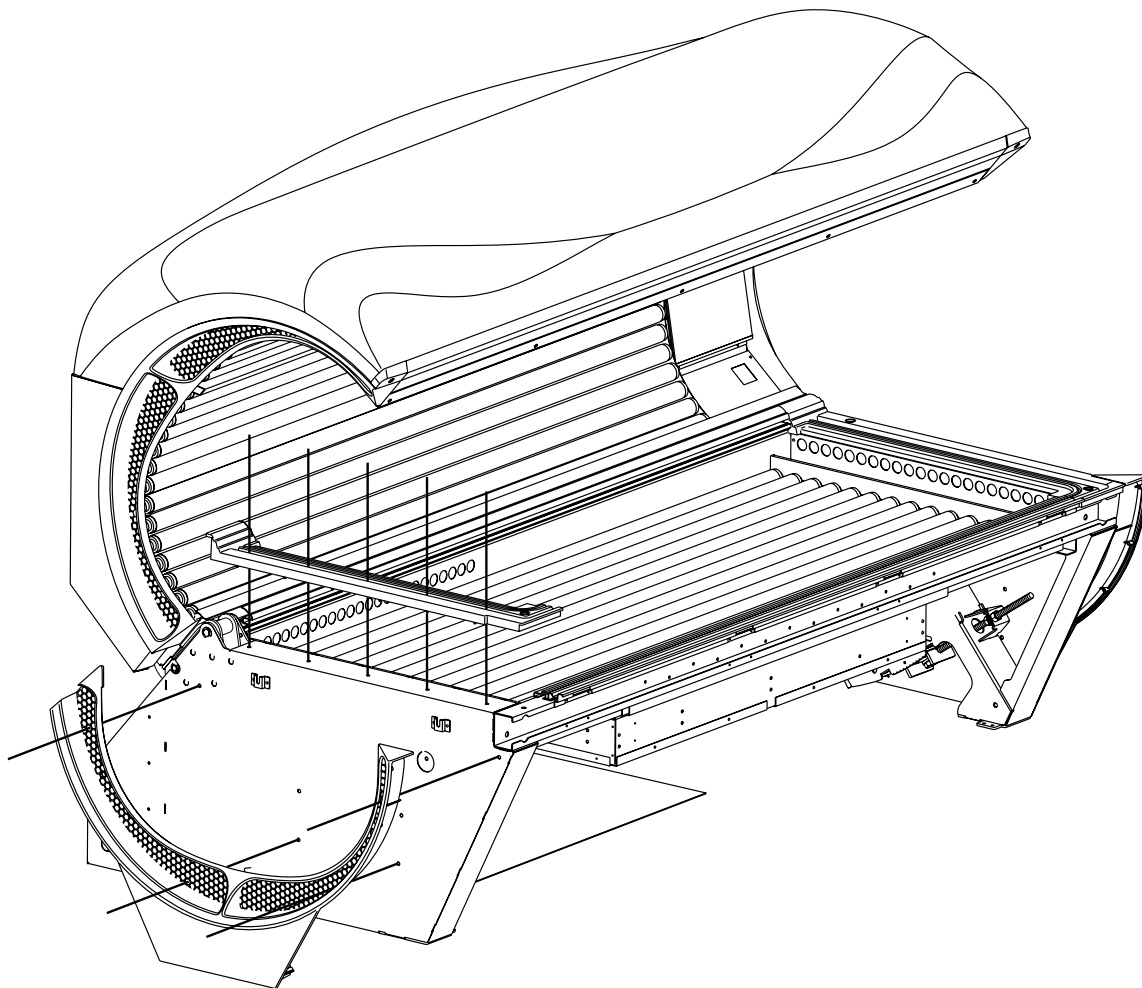


4930655-02

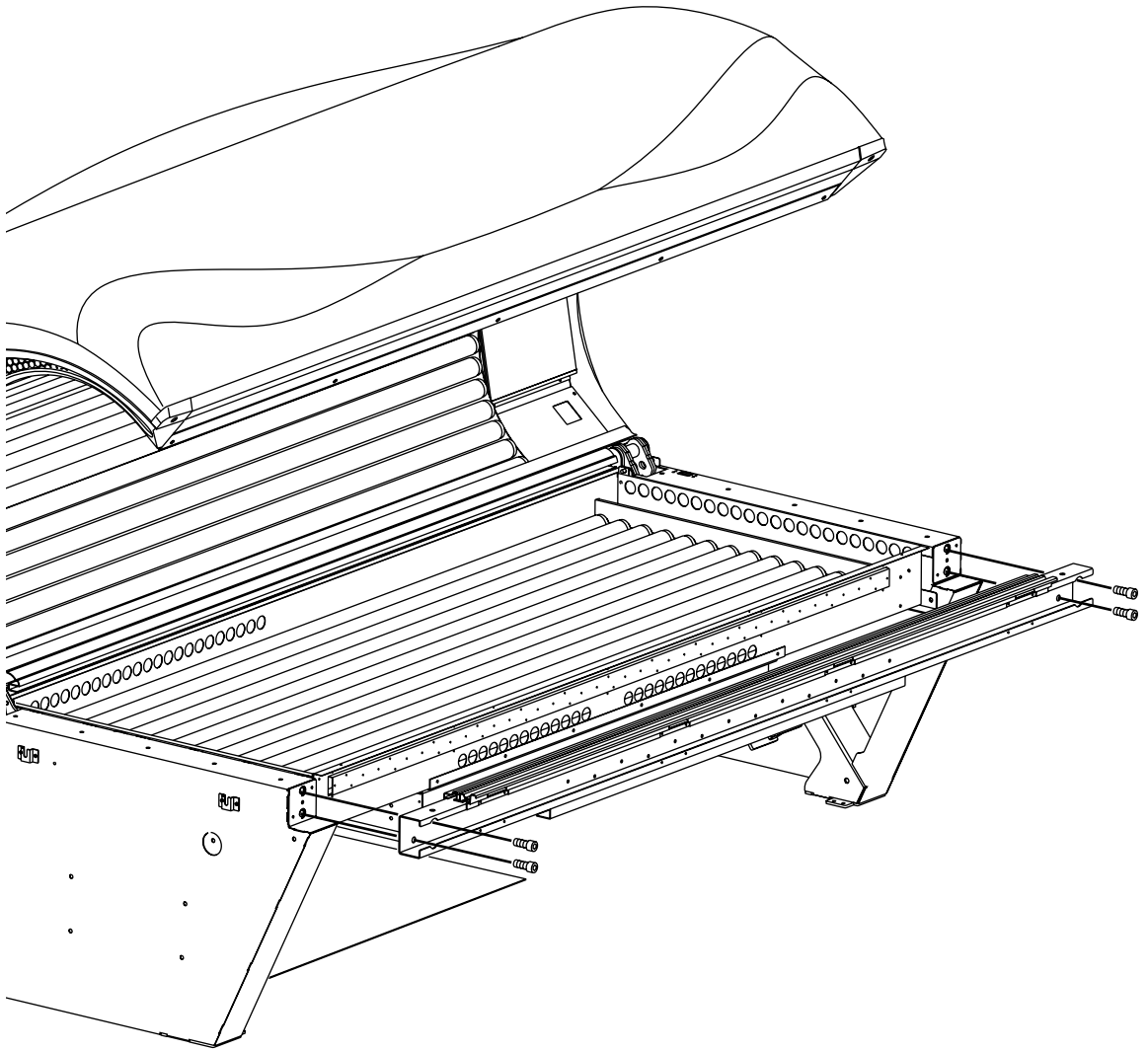
The bench endcaps are held in place by (4) #10-24x1" screws each.

The acrylic end supports are held in place by (5) #10-24x1" flat head screws each.

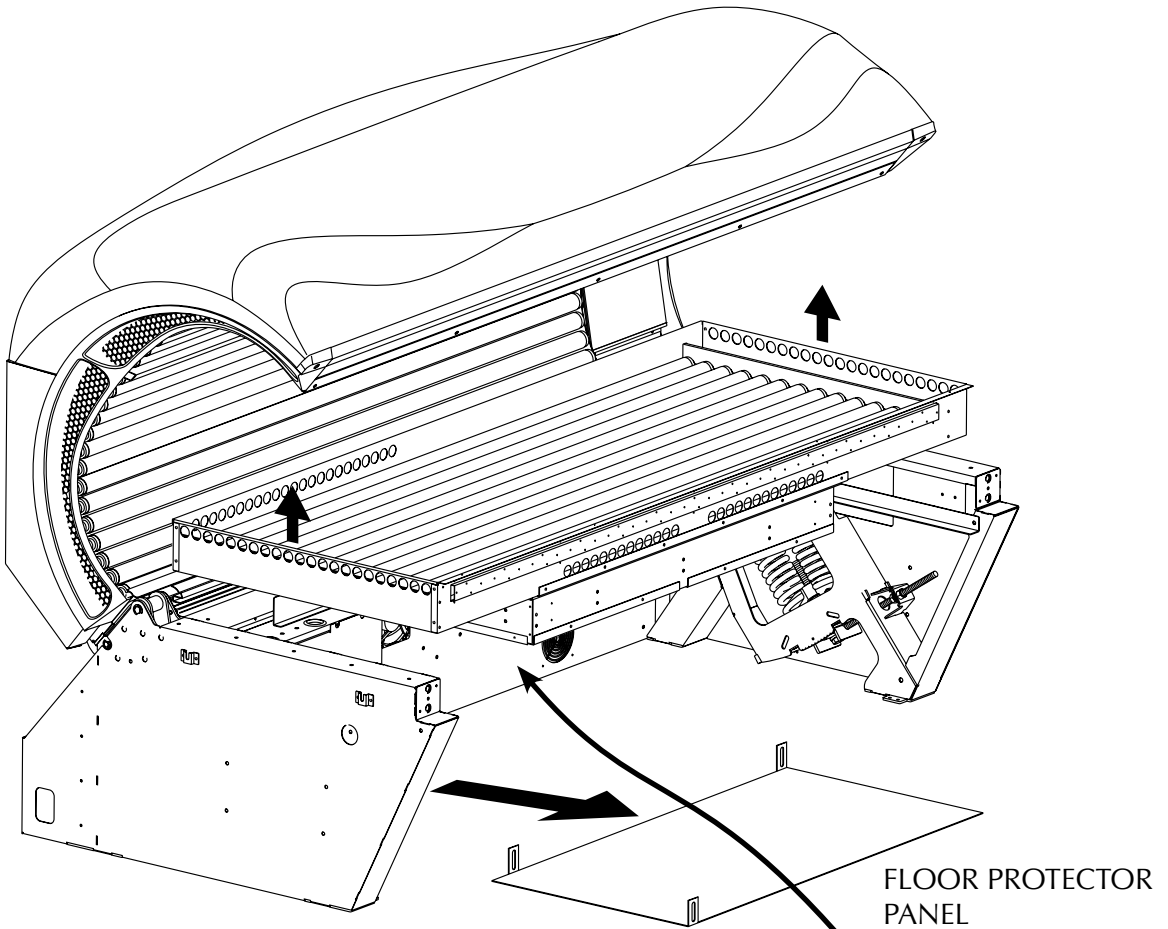
Remove both pieces from each end and set aside.



The front cross member is held in place with
(4) 5/16-18x1" hex socket bolts.



4930655-02



Next, remove the (6) #10x1/2" Phillips sheet metal screws holding the fan plenum to the back panel. This plenum routes air from the cooling fans through the lamp box.

Slowly lift the lamp box out of the bench, being careful not to damage the plenum.

Three #10x1/2" screws hold the floor protector panel. Remove it and set aside.



PLENUM

Close the canopy and reinstall the shipping pins to hold the lift system in place.

Remove the canopy cover and rear corner covers.

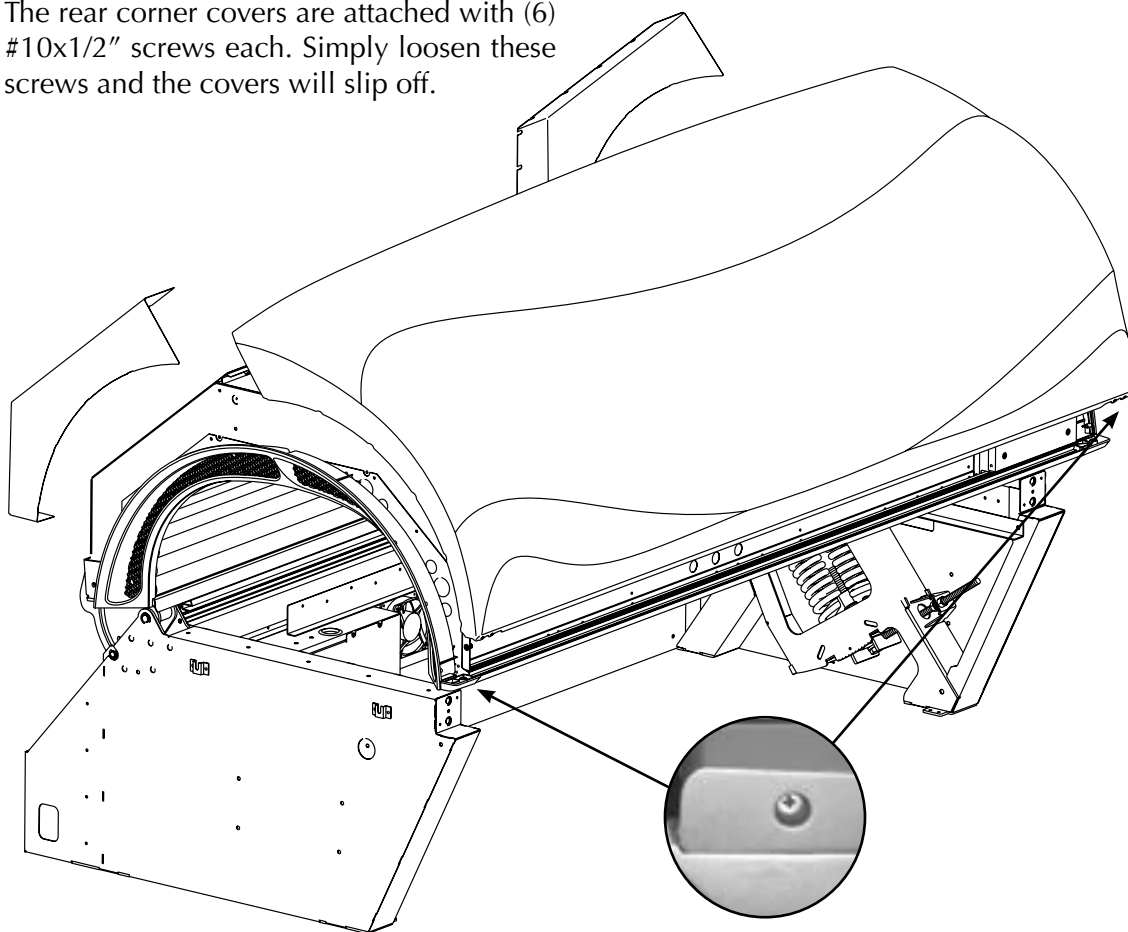
The back of the canopy cover includes the metal panel. Loosen the (8) 1/4-20 Phillips screws securing the back covers just a few turns. Do not remove these screws. The front corners of the canopy cover are held by (1) #10-32x1" flat head screw in each corner. Remove these screws. Carefully lift the cover from the bed.

The rear corner covers are attached with (6) #10x1/2" screws each. Simply loosen these screws and the covers will slip off.

! WARNING

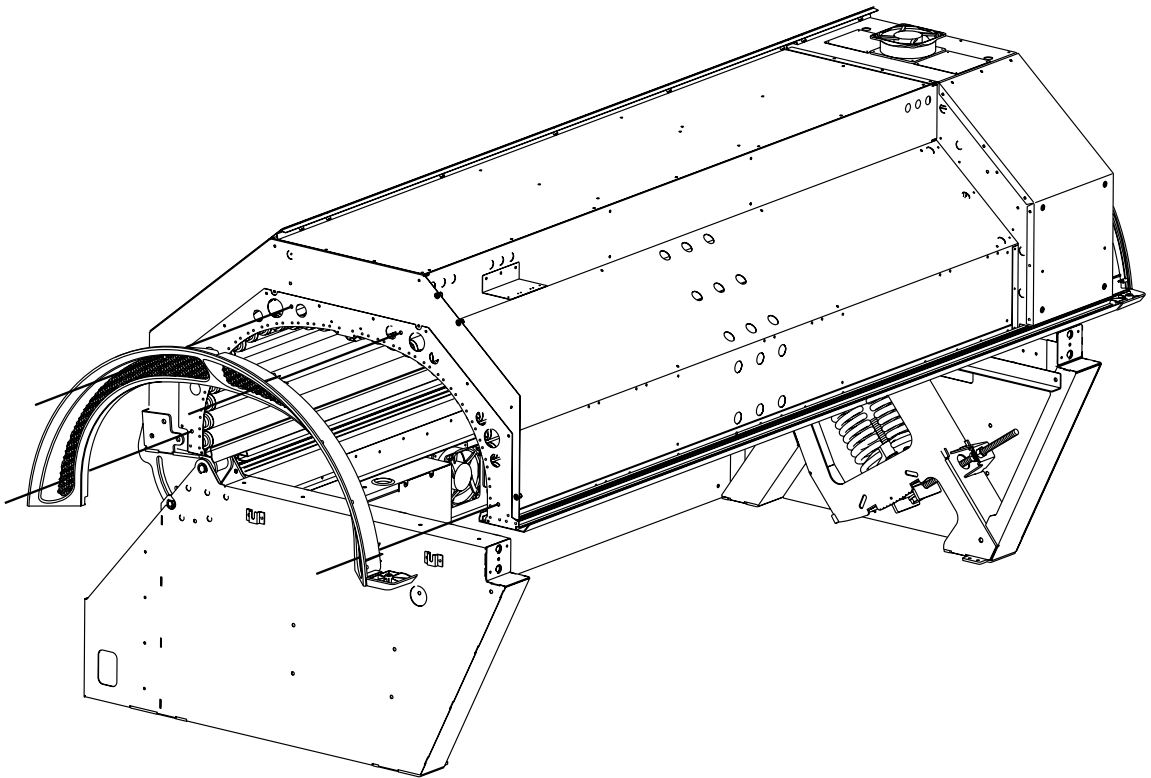
Lift springs under extreme tension.

Failure to properly install the shipping pins could result in damage to the unit and/or personal injury when removing the canopy.



4930655-02

The canopy endcaps are attached with (4) #10-24x1" Phillips screws each. Remove both endcaps.



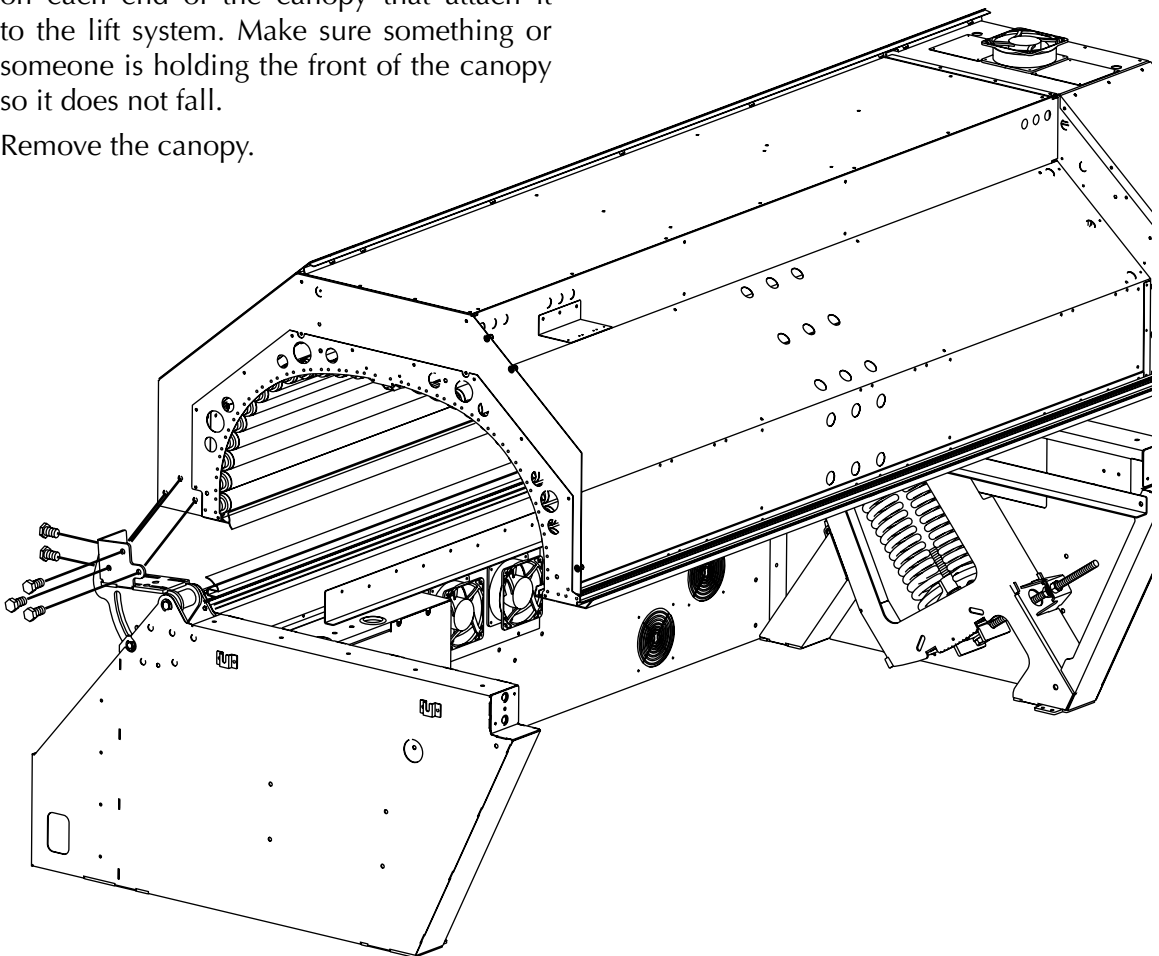
On the back of the canopy, toward the foot end, is a rubber bellows protecting the wiring from the bench to the canopy. Disconnect one end of the bellows by loosening the clamp holding it in place.

Pull the cables from the canopy out of the bench. You may find it helpful to tape or tie the cables up so they do not get in the way when moving the canopy.

Make sure the shipping pins are in the pedestals. Remove the (5) 3/8-20x1" hex bolts on each end of the canopy that attach it to the lift system. Make sure something or someone is holding the front of the canopy so it does not fall.

Remove the canopy.

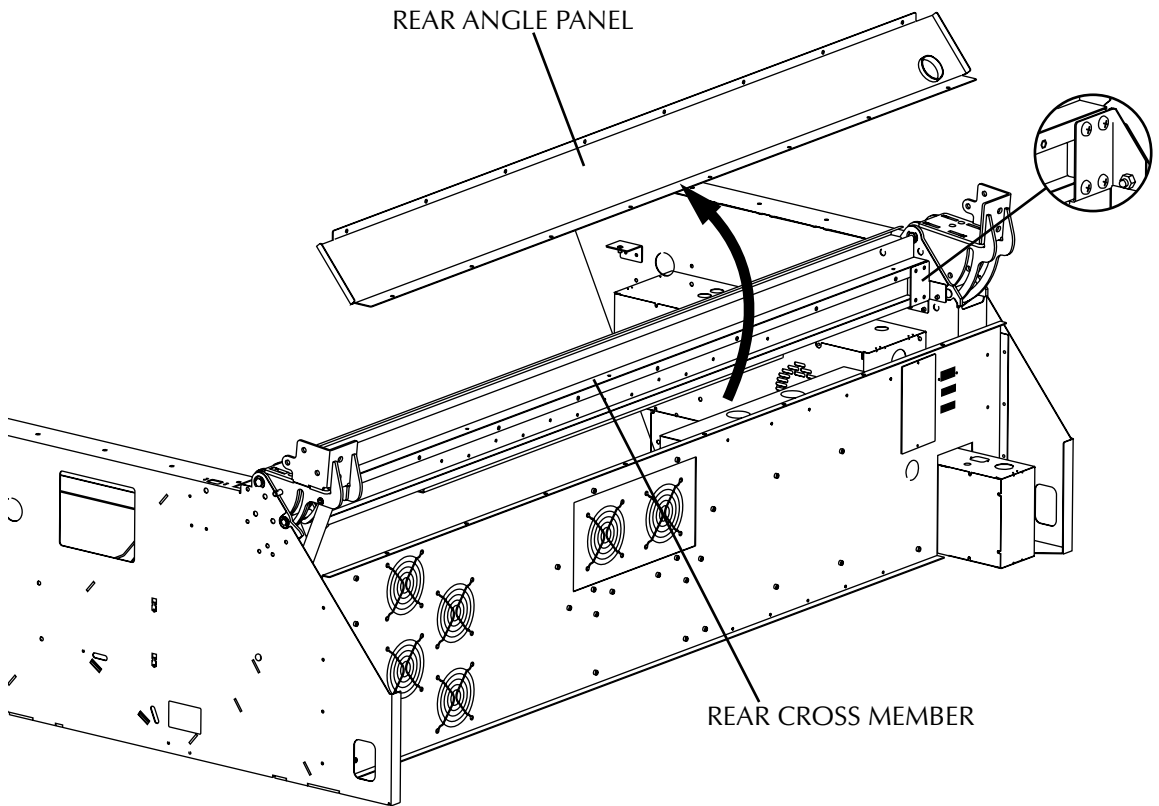
BELLOWS



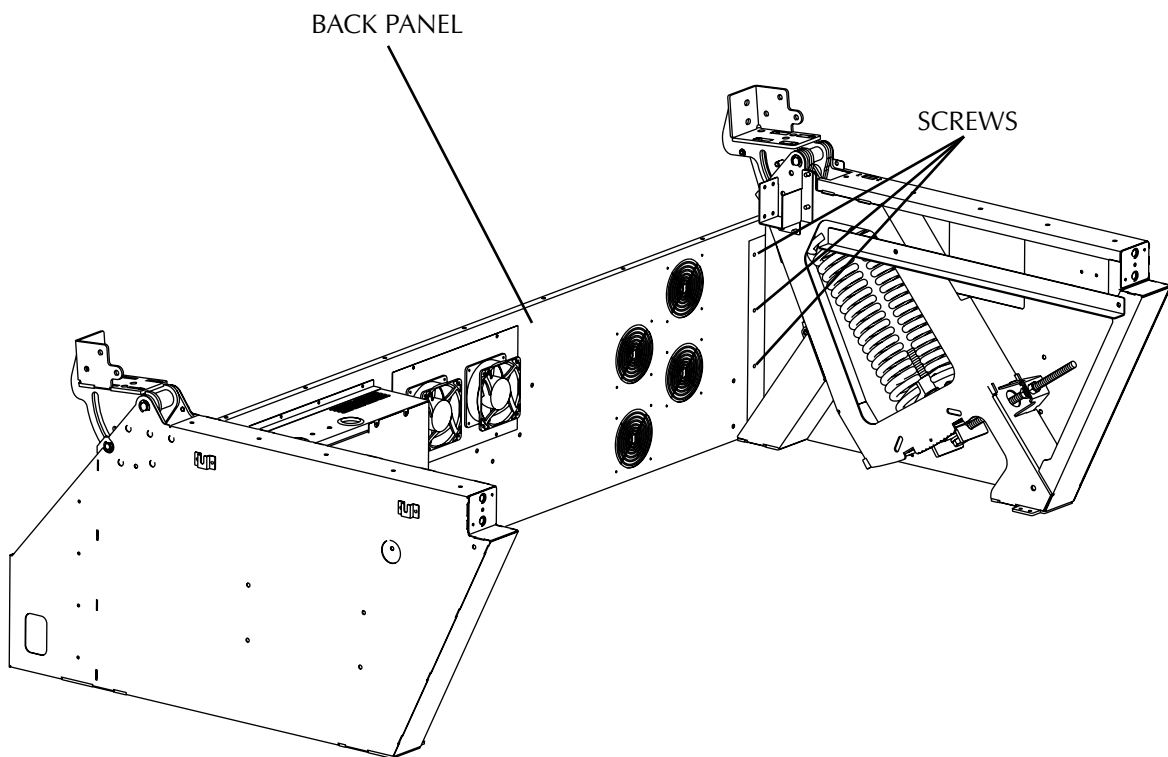
4930655-02

Remove the (16) #10x1/2" sheet metal screws holding the rear angle panel and set the panel aside.

The rear cross member sits in cradles on each end and is secured in place with (8) #10x1/2" sheet metal screws. Remove the screws and slip the cross member out of the cradles.

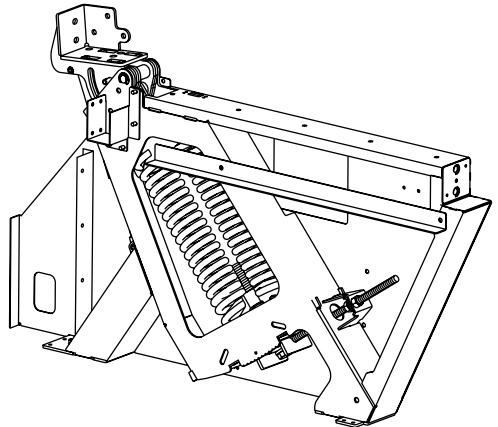
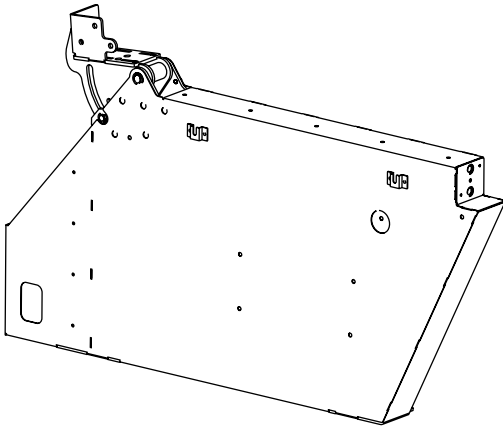


The back panel attaches to the pedestals with (8) #10x1/2" screws. Remove the screws and lift the panel from the pedestals.



Assembly

Place the pedestals in the salon room approximately where the bed will be.

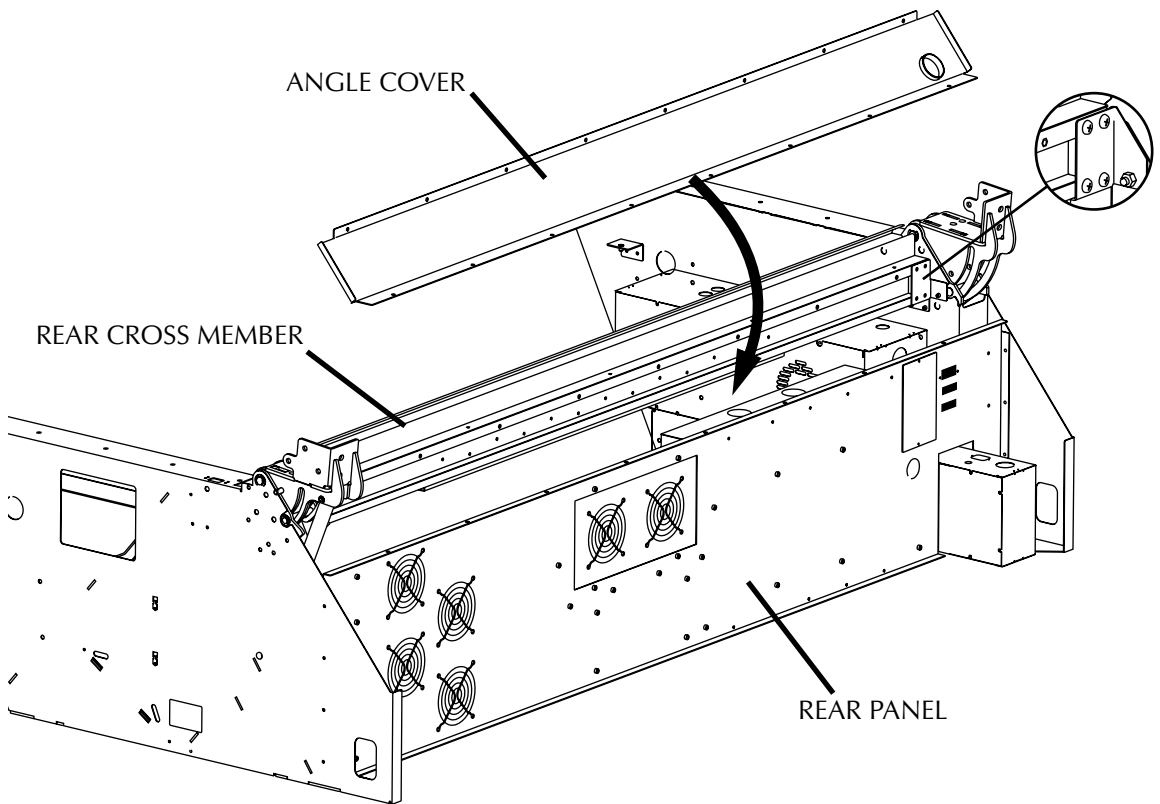


Put the rear panel in place. Secure the panel with (8) #10x1/2" screws from the back side.

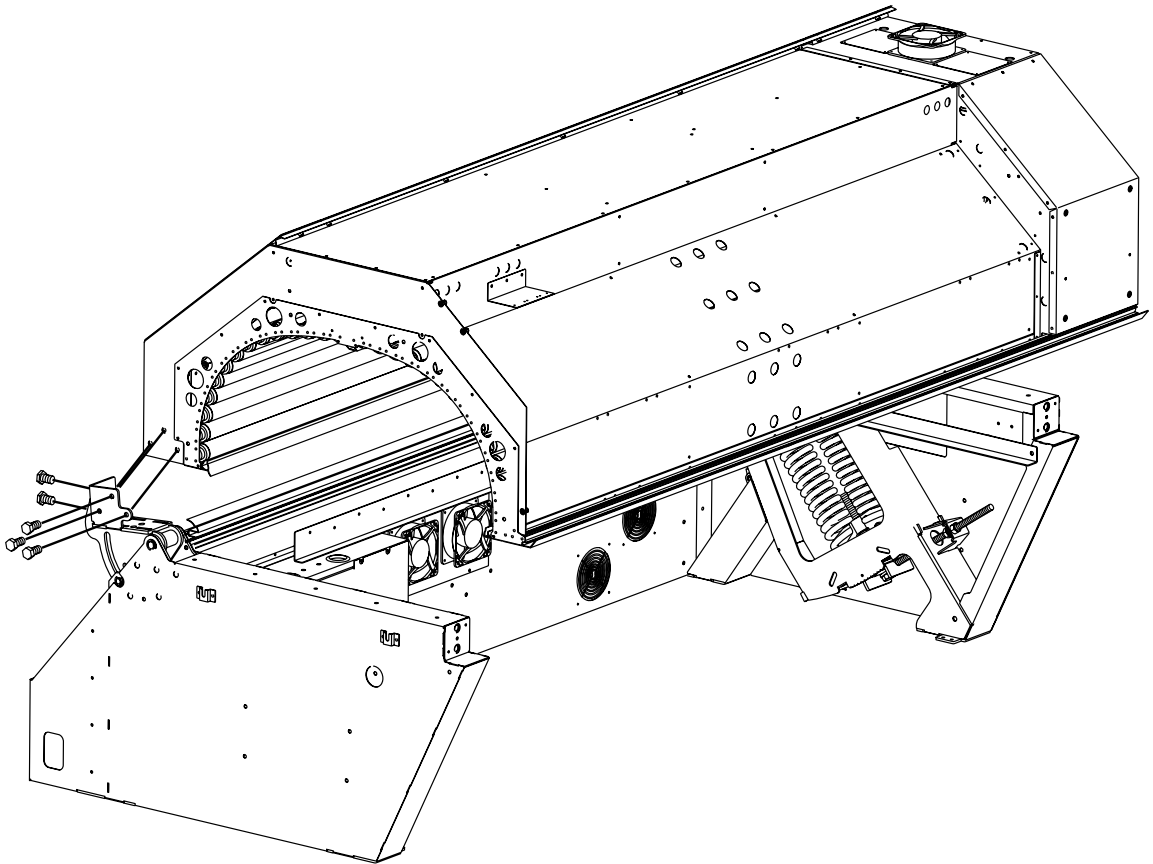
Slip the rear cross member into the cradles on each pedestal and secure with (4) #10x1/2" Phillips sheet metal screws on each end.

The rear angle cover attaches between the rear panel and rear cross member with (16) #10x1/2" screws along the angled flanges.

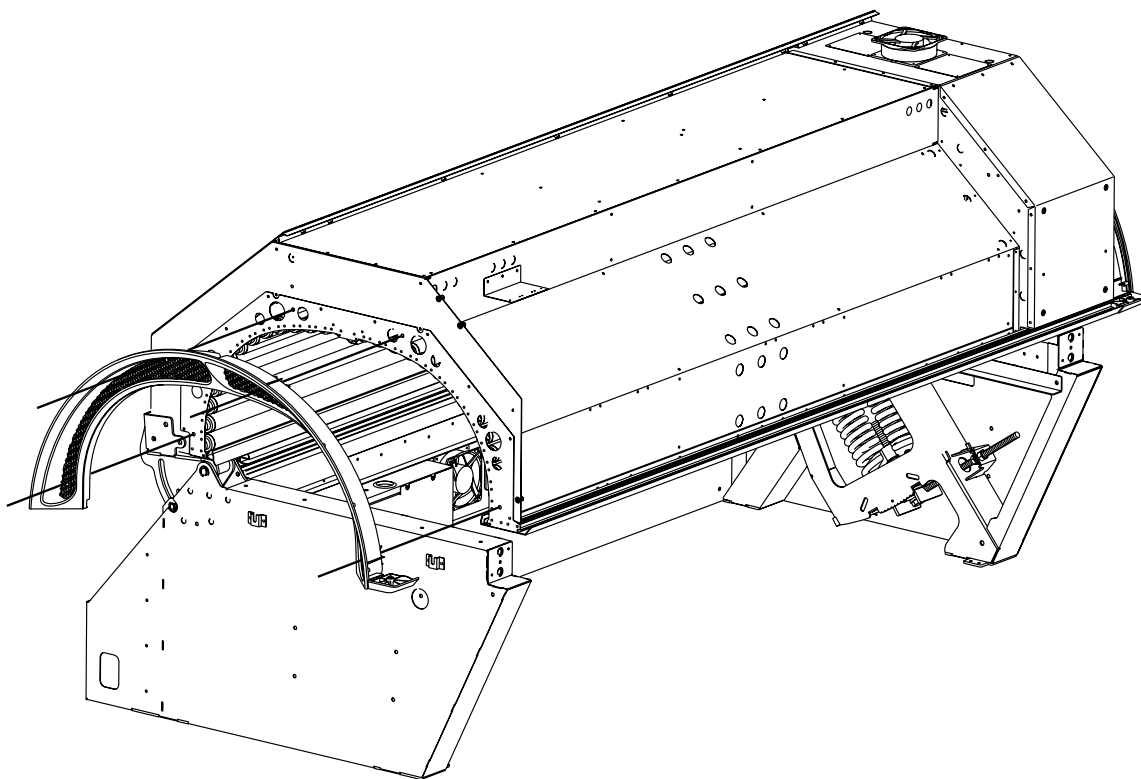
Note: To avoid stripping sheet metal screws, use this simple technique: Using a hand screwdriver, slowly turn the screw counter-clockwise until it clicks in place. Then turn it clockwise until hand tight. Do not over-tighten.



Slide the canopy frame in place in the pedestal cradles, as shown, and fasten with (5) 3/8-20x1" hex bolts on each cradle.

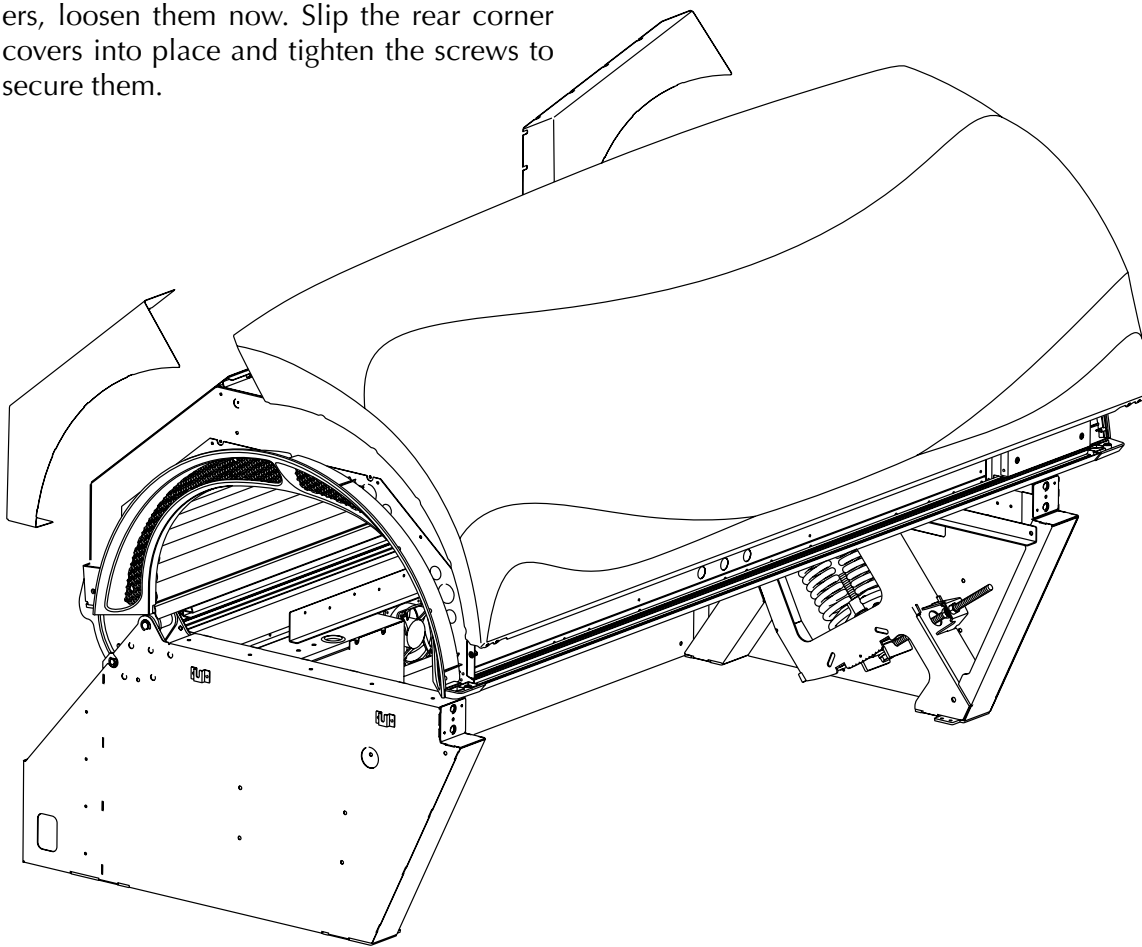


Attach the canopy endcaps with (4) #10-24x1" Phillips screws in each.



If you retightened the screws for the Total Access Panel during disassembly, loosen them again now and slide the canopy cover panel behind the access panels. The front of the canopy cover sits in the front aluminum channel. Secure the cover by tightening the loosened screws. The front is held in place with (2) #10-32x1" flat head screws inserted up through the front ends of the endcaps.

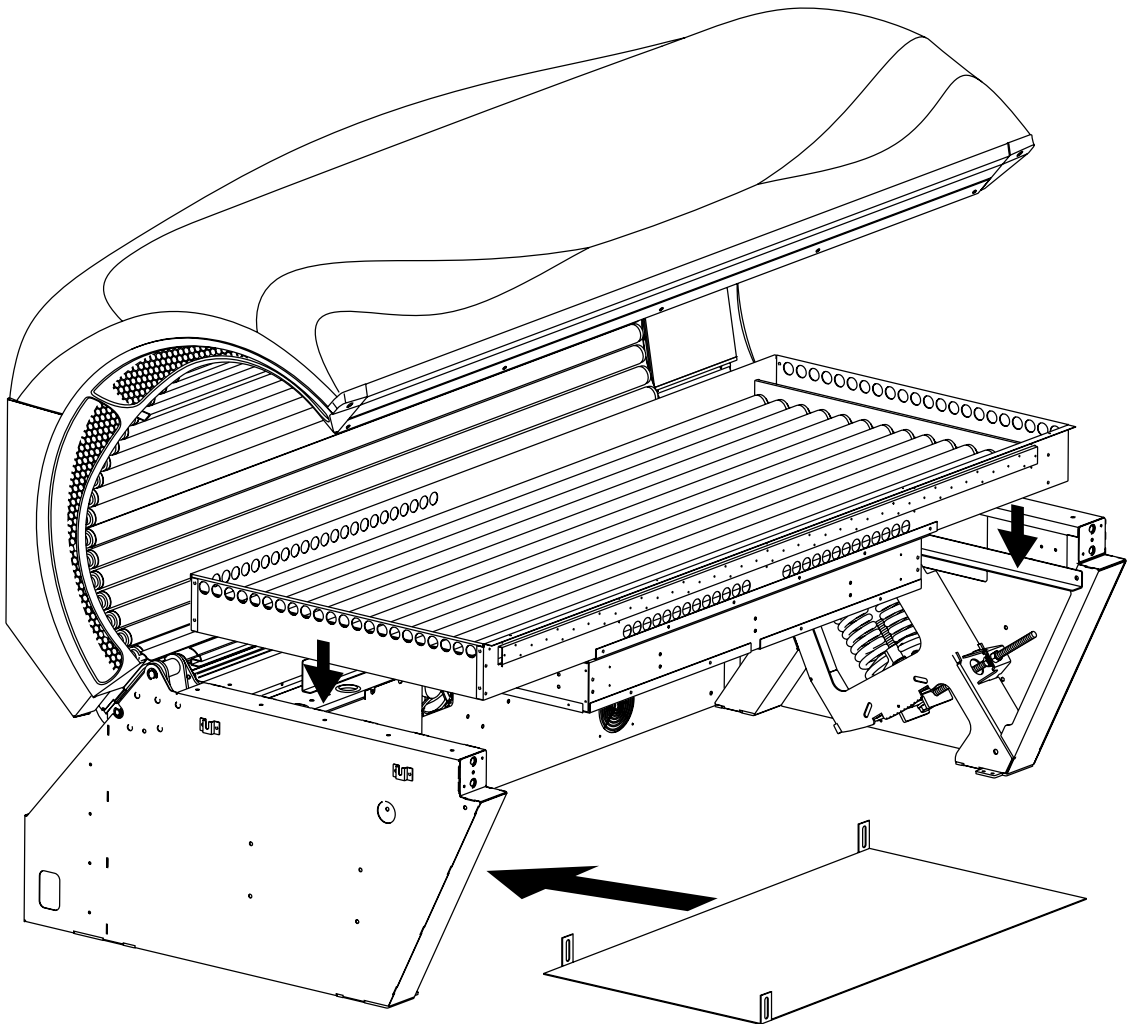
As with the access panel screws, if you retightened the screws for the rear corner covers, loosen them now. Slip the rear corner covers into place and tighten the screws to secure them.



Pull the shipping pins out of the lift system and open the canopy. Slide the floor protector panel against the foot-end corner, as shown, and secure in place with (3) #10x1/2" screws.

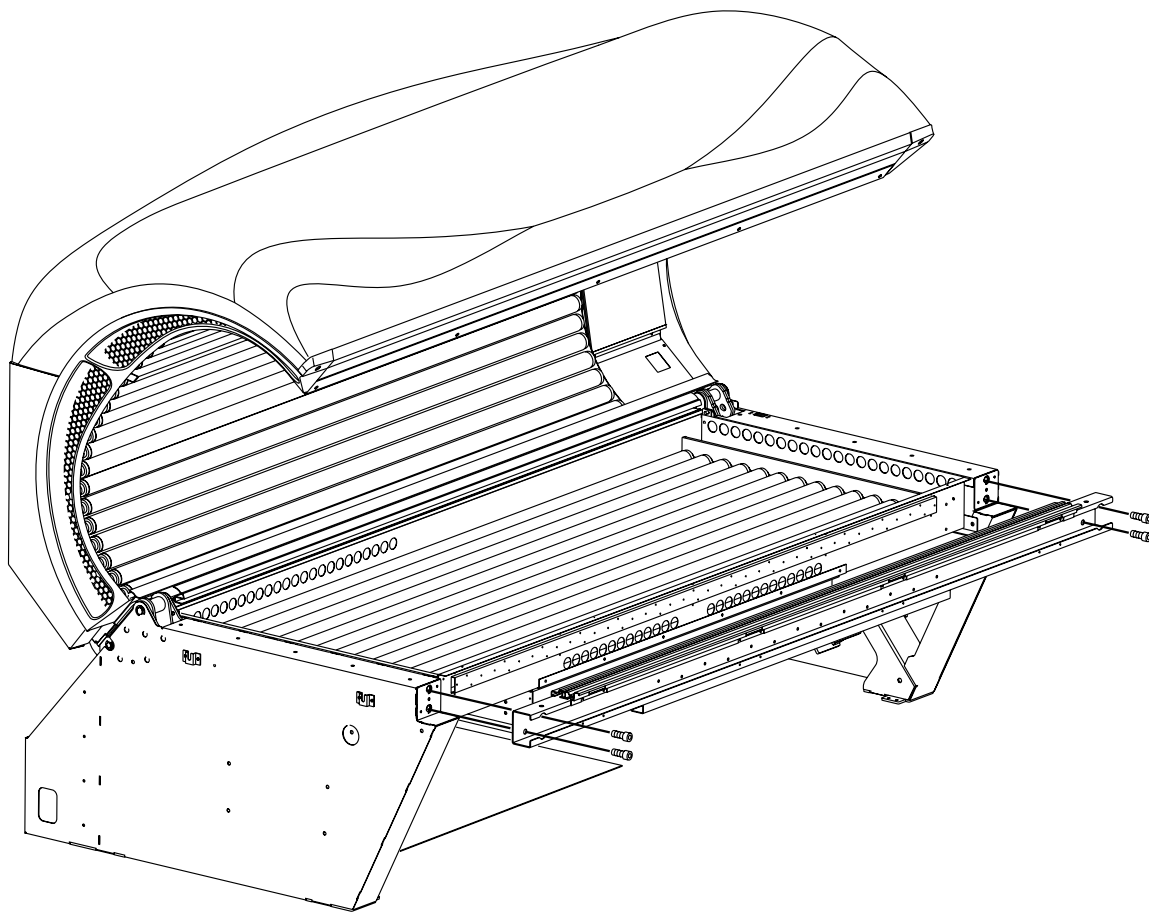
Slide the bench lamp box into place. Be careful of the fan plenum on the underside of the lamp box.

Six #10x1/2" Phillips screws hold the fan plenum to the back panel.



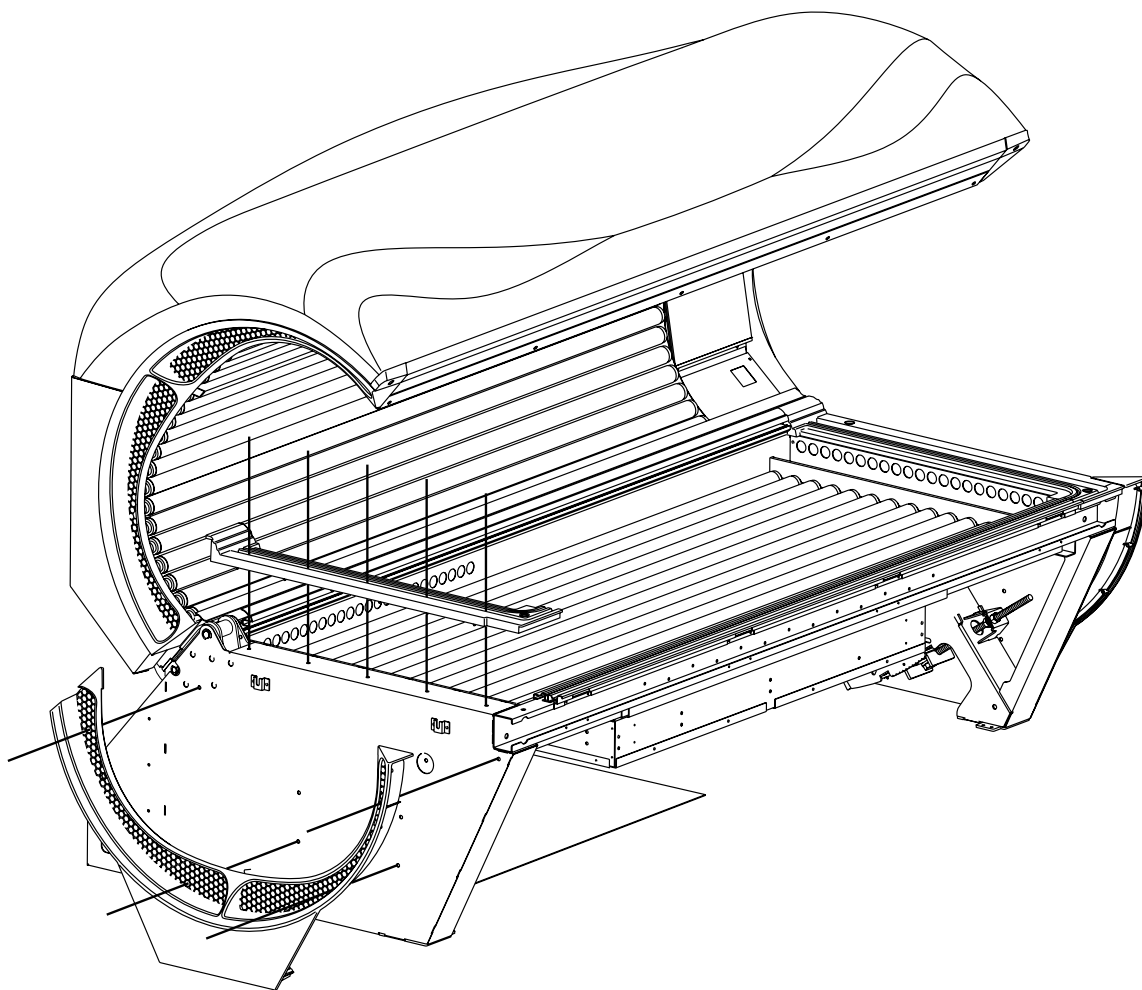
4930655-02

Install the front cross member using (2) 5/16-18x1" hex socket bolts in each end.

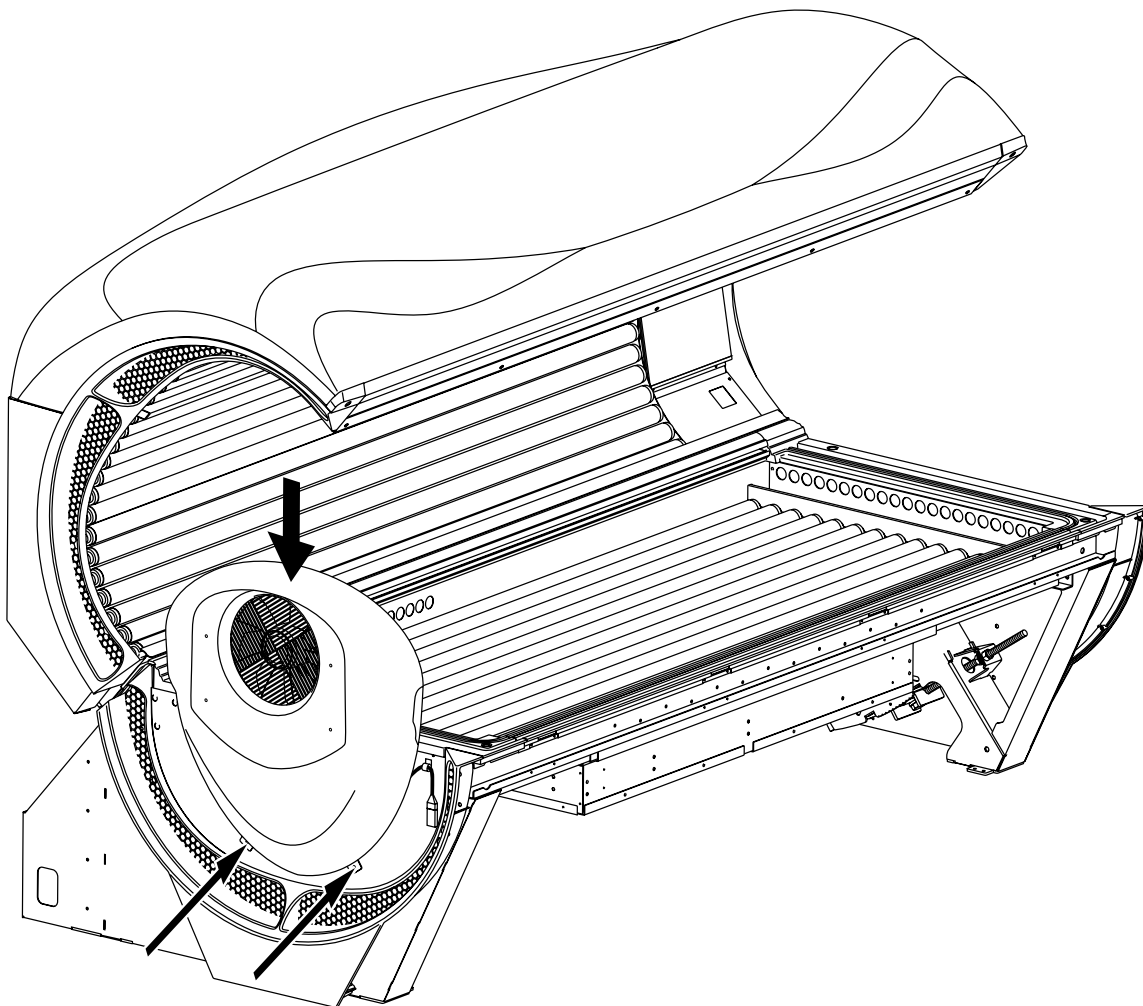


Install the bench endcaps with (4) #10-24x1" Phillips screws each.

Install the bench acrylic supports with (5) #10-24x1" flat head screws each.



Install the body fan. First, slip the power cable through the hole in the left pedestal. Then engage the hanging clips and finally, secure with (2) #10-24x1/2" screws in the bottom mounting flanges.



Connect all cables under the bench that were disconnected before. Remember, they are all keyed differently. If it doesn't fit, it connects to another harness. Here's a checklist:

| Harness from canopy | Wire Colors | Connects to |
|----------------------------|--------------------|--------------------------------|
| Canopy Power | Blue, Red | Contactora Box |
| Face Tanners | Multi | Face tanner ballast box |
| Fan cord | Black | Cord from bench lamp box |
| RJ-45 timer display | Black | RJ-45 outlet on timer box |
| Exciters | Red, Black | Audio amp box |
| Ground wire | Green | Green wire from contactora box |

| Bench lamp box | Wire Colors | Connects to |
|-----------------------------|--------------------------|-----------------------------------|
| Power | Blue, Black | Contactora Box |
| Fan power in | Black, Red | Cord from contactora box |
| Fan cord to bench fans | Black, Red | Fans on back panel |
| Fan cord to canopy | Black, Red | Cord from canopy |
| Fan cord to face tanner box | Black, Red | Cord from face tanner ballast box |
| LED | Red, Green, Blue, Yellow | Timer box |

| Face tanner ballast box | Wire Colors | Connects to |
|--------------------------------|---------------------------|--------------------------|
| Power in | Red, Black, White, Yellow | Contactora Box |
| Power out | Multi | Harness from canopy |
| Fan power | Black | Cord from bench lamp box |

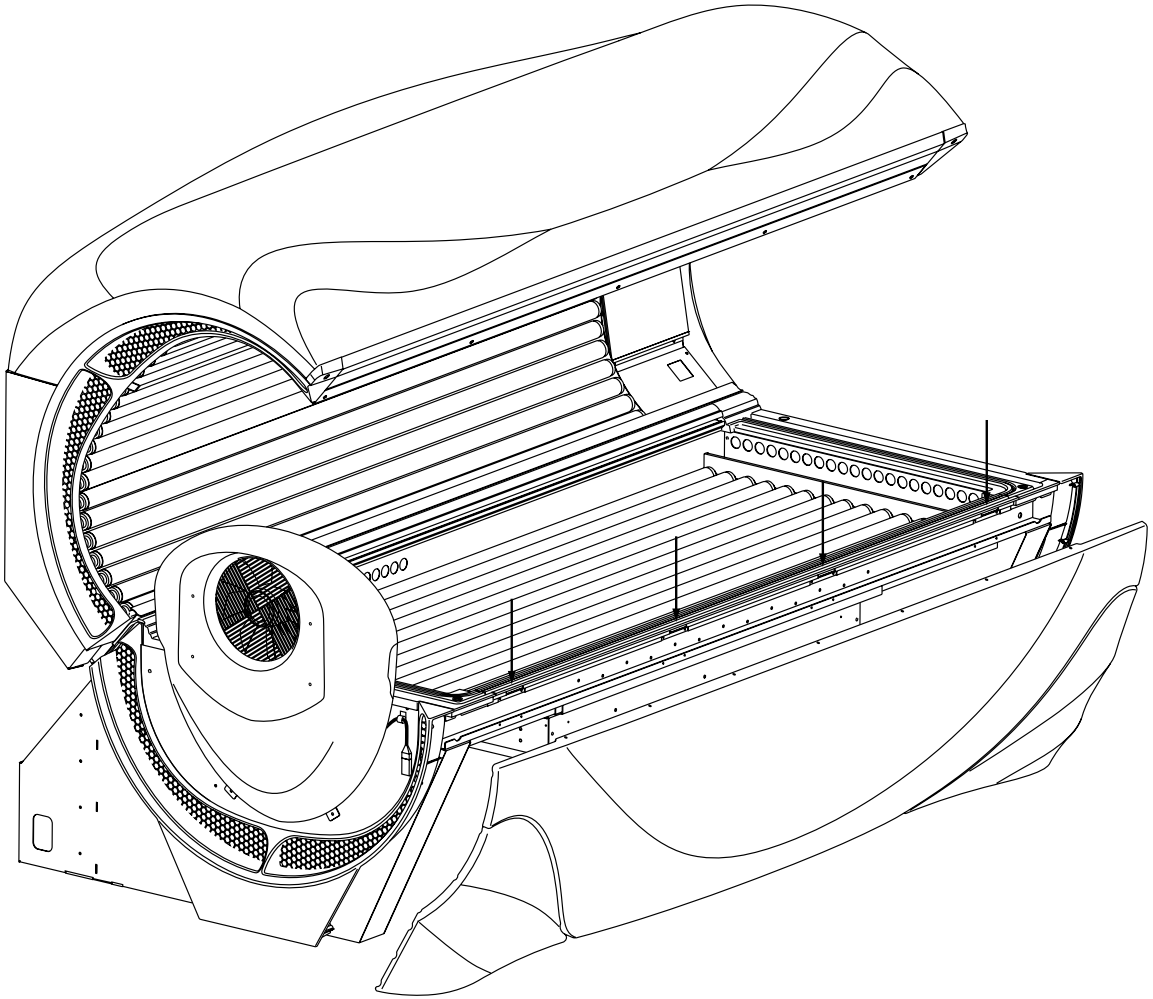
| Body Fan | Wire Colors | Connects to |
|-----------------|---------------------------|--------------------|
| Power | Blue, Black, Green/Yellow | Contactora Box |

| Other | Wire Colors | Connects to |
|--------------|--------------------|--------------------------------|
| Remote | White | From timer box to remote board |

As you install the front skirt remember to re-connect the LED power cable.

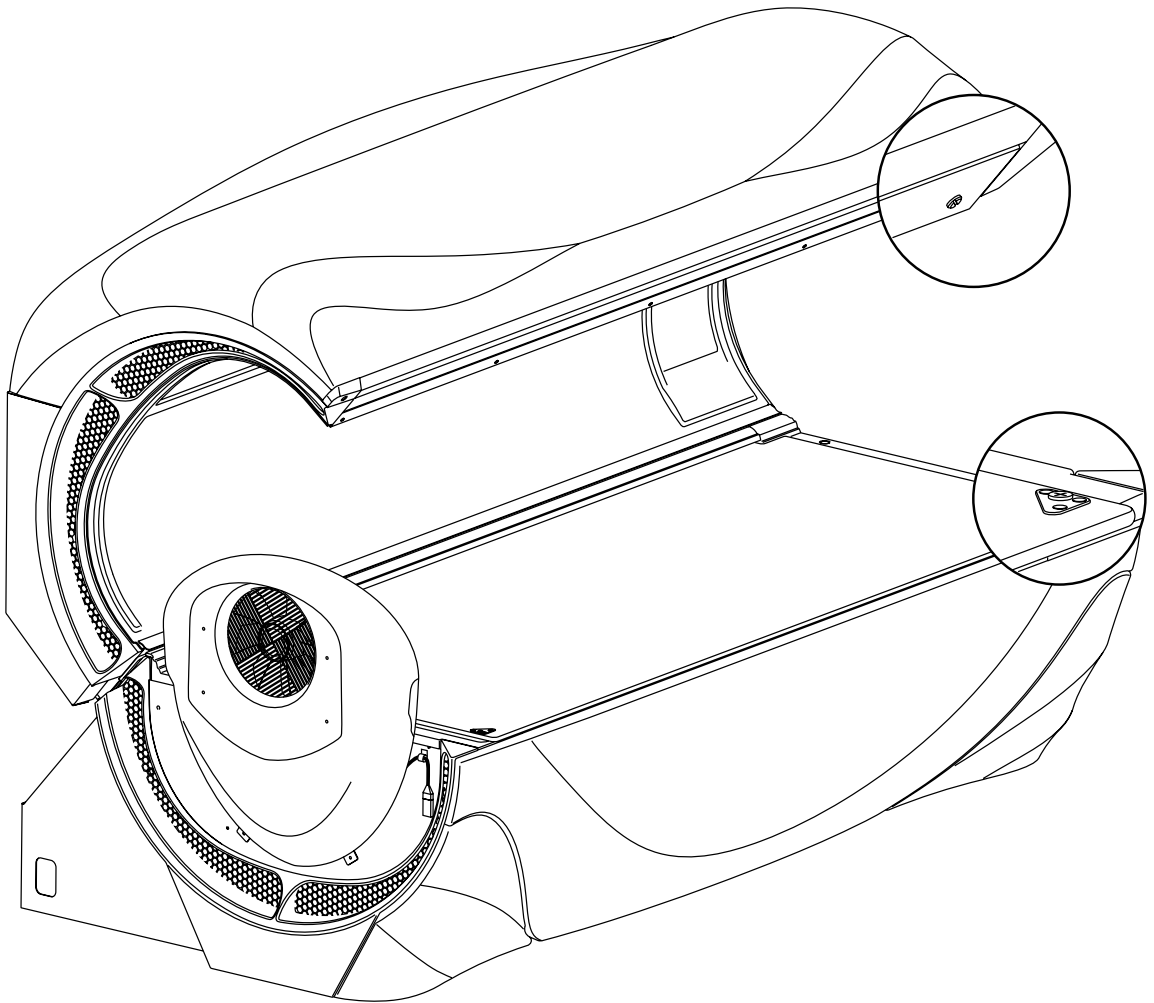
Slip the “hooks” at the bottom corners of the skirt over the pegs on the pedestals and swing the skirt up.

The “forks” at the top of the skirt slip into the clamps along the front cross member and secure by tightening the 4 screws tucked into the channel as indicated below.



Slide the bench acrylic into the aluminum channel at the back of the bench. Secure the acrylic in place with the (2) 1/4-20x1" Phillips screws at the front corners.

Loosen the 5 captive screws holding the front canopy acrylic channel. The channel will swing down but remain in place. Next, place the back edge of the canopy acrylic into the channel at the back of the canopy. Plug the wiring harness from the exciters to the harness in the bed. Swing the acrylic closed and lock the front edge by swinging the front channel closed and secure the 5 screws.



4930655-02

Electrical Connections

This unit must be hardwired directly to a junction box on a dedicated circuit. **ETS recommends connection by a professional electrician.**

On the back of the bed, at the foot end, is a box that protrudes through the back panel (see below). Make the connection to power inside this box.

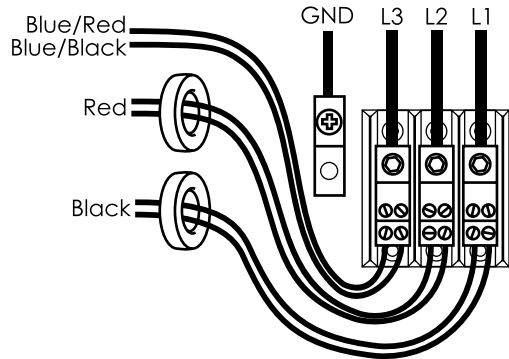
Remove the 4 screws holding the cover plate and remove the cover plate from the box. Inside is a connection bus for power. You may wire the bed to either a 3-phase circuit (3 wire plus ground) or single-phase circuit (2 wire plus ground). Follow the diagram at right for connection instructions.

Your sunbed arrives from the factory wired for single-phase. To convert to 3-phase, simply disconnect the Blue/Black and Blue/Red wires from the terminal block, slide them out of the current sensors and connect to L3.

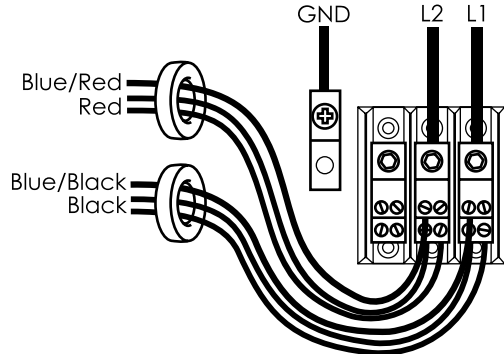
No power cord is supplied. The conduit fitting hole is sized for a 1" fitting. Be sure to provide a proper strain relief for the incoming power line.



3-Phase Wiring



1-Phase Wiring



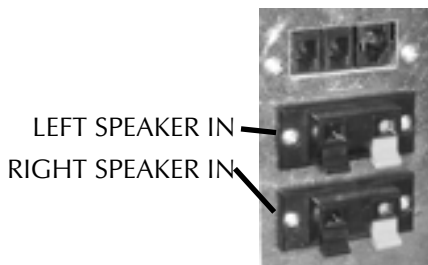
NOTE: Not shown in the diagram above are three thin wires, a red, black and blue one. Do not move these thin wires. Only move the thicker blue wires with colored stripes.

Audio

Your sunbed is equipped with a unique sound system, exclusive in the tanning industry, that provides full, rich sound without the use of unsightly add-on speakers. This “Cathedral of Sound™” transforms the entire canopy acrylic into the “speaker” by transmitting vibrations into the tanning area. This arrangement contains the sound within the tanning tunnel much better than any other system available. Simply speaking, you get better sound with very little noise pollution for the rest of the salon compared to traditional speaker systems.

Your sunbed comes from the factory equipped to connect the “speaker out” from a stereo system to the spring type speaker level inputs on the back of the bed (shown below) directly over the power box. In this configuration, full musical control resides in the stereo system. The bed is just a speaker.

For more musical options, including soothing “zen” music, Mp3 input, DMX control, FM tuner and voice assist, contact your ETS representative for upgrade options.



Mood Mode™ Lighting

Along with an exciting new sound system, this sunbed incorporates changing, and changeable, lighting to accent the idle bed. Change the lighting to suit your particular salon surroundings or your current mood.

The LED modules used to accent the tanning bed require no regular maintenance and are rated to last the entire life of the bed.

If you wish to change the look of the Mood Mode lighting, follow these steps:

1. With the bed sitting idle (Display showing “0”) press and hold the FAN button for 5 seconds. Listen for the confirmation beep and the display will change to “MOOD”.
2. Use the ‘+’ and/or ‘-’ buttons to scroll through the available lighting modes, including 3 speeds of fade and 3 static colors.
3. Press STOP to exit the Mood Mode set-up.

Remote Connections

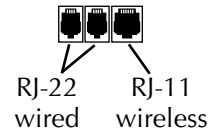
Your sunbed incorporates advanced circuitry allowing it to connect and communicate with most remote control systems. If a remote system is to be used, first determine whether the remote system is a T-Max® System or a standard remote system operating with a control relay. The following pages outline many different remote connection scenarios. Find the scenario that best fits your application.

Three remote ports are located on the back panel directly above the power box, two RJ-22 (4-wire) ports for “daisy-chain” remote connections and one RJ-11 (6-wire) port for wireless remote connection.

T-Max® Products

The T-Max® remote systems offer the ultimate in sunbed control, while allowing the tanner easy, straightforward operation. Your sunbed is configured to directly connect to this system, including the wireless remote system. The circuitry inside your sunbed eliminates the need for the T-Max® 3W (or the older 1A and 3A) when connecting to the T-Max® Manager series. Your sunbed supports the auto addressing feature of the T-Max® Manager models and many parameters. See your T-Max® manual for descriptions of these parameters and how they function.

REMOTE PORTS



T-Max® Wireless Remote System

The T-Max® G2 eliminates wires in your salon, allowing easy setup without hiring an electrician to run wires. It also protects your investment from damage by isolating each unit from one another. Your sunbed arrives “wireless ready”, which means it connects directly to the T-Max® G2 wireless system. Older tanning beds, and T-Max® managers, may also utilize this system but require a T-Max “Power Injector” (PI) to provide the needed power to the G2 wireless unit.

Remote System Hook-up Scenarios

Follow the diagrams on the next few pages to see the many different scenarios for hooking up your salon. If you need further assistance, **call T-Max® directly at (417) 297-0361.**

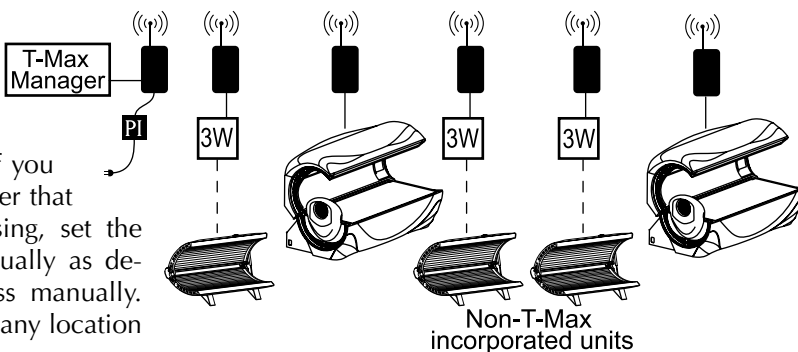
CAUTION

The remote connection is not designed to supply or accept high voltage, nor can it provide power to an external timer. The sunbed’s remote interface circuitry operates on 5 volts, attempting to connect it to any higher voltages will damage the sunbed as well as void your warranty.

Scenario 1 - T-Max® Manager Series with Complete Wireless

Connect one G2 (with Power Injector) to the Manager and one G2 to each of the tanning beds.

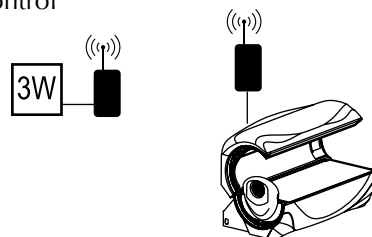
Install as many beds as you like with this configuration. Units that do not communicate with T-Max will need a G2 and a 3W to operate. If you have an older T-Max® Manager that doesn't support auto addressing, set the address of each sunbed manually as described in Setting the address manually. You can place your sunbed at any location in the series.



Scenario 2 - T-Max 3W with Wireless

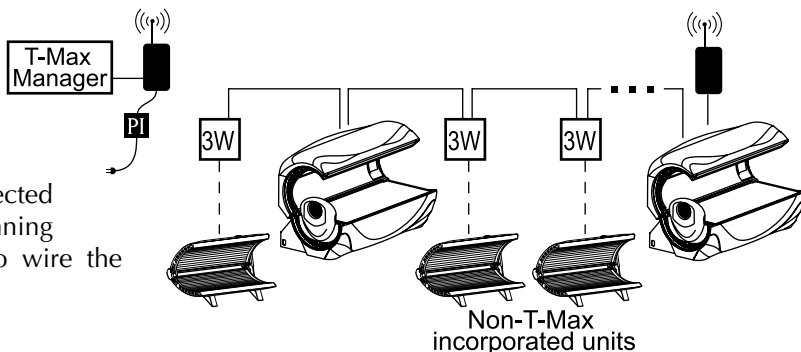
In single sunbed installations, the T-Max® 3W can offer the same control as the T-Max® Manager, eliminating the need for a Manager.

After you have set the T-Max® 3W's, address to "0" (refer to your T-Max® user's guide) and the sunbed's address to "1", simply connect one G2 to the T-Max® 3W and one G2 to the tanning bed.



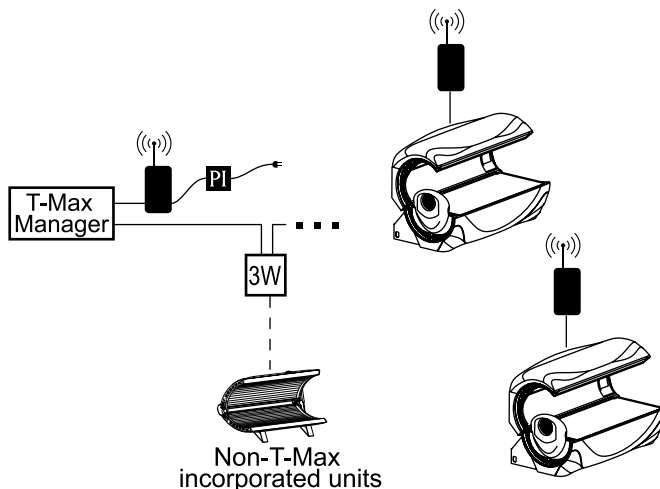
Scenario 3 - T-Max® Manager Series with Wireless combo

Connect one G2 (with Power Injector) to the Manager and one G2 to a wireless ready tanning bed. The rest of the salon may be "daisy-chained" together and connected to the wireless equipped tanning bed, eliminating the need to wire the Manager to the tanning beds.



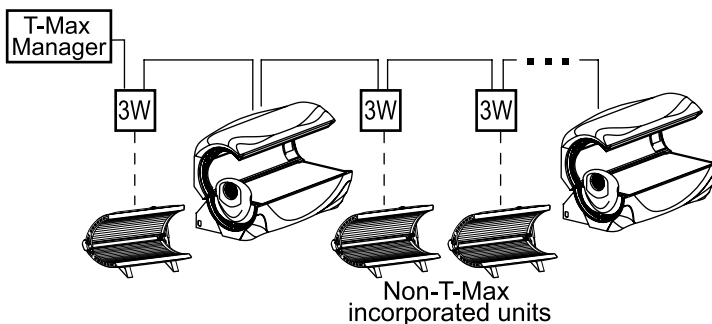
Scenario 4 - T-Max® Manager Series with Wireless combo 2

Wireless can be easily added to an existing salon already utilizing T-Max®. Connect one G2 (with Power Injector) to the Manager and one G2 to each wireless ready tanning bed. The rest of the salon may be “daisy-chained” together and connected to the Manager.



Scenario 5 - T-Max® Manager Series with wires

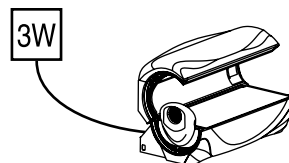
As always, this tanning bed is fully compatible with a wired T-Max® system. Simply connect the RJ-22 modular cable(s), described in the T-Max® Manager manual, into either of the smaller remote port(s) located on the back of the bed and follow the instructions that came with your remote system.



Scenario 6 - Single Bed wired to T-Max® 3W

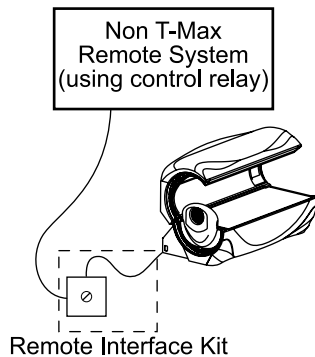
In single sunbed installations, the T-Max® 3W can offer the same control as the T-Max® Manager, eliminating the need for a Manager.

After you have set the T-Max® 3W's address to "0" (refer to your T-Max® user's guide) and the sunbed's address to "1", simply connect the RJ-22 modular cables, described in the T-Max® user's guide, directly into either of the smaller ports located on the back of the bed and either port on the back of the T-Max® 3W.



Scenario 7 - Non T-Max® Remote System wired to unit

Most non-T-Max® remote systems control the sunbed by the use of a relay. The relay operates the sunbed by connecting and disconnecting a pair of wires leading from the sunbed. Refer to the user's manual provided with your remote system to determine if it operates in this way. To connect your sunbed to this type of system a remote interface kit is required. Contact your place of purchase to obtain the kit. The illustration below details a typical connection. Follow the instructions provided with the kit and from the remote's manual to make the necessary connections. You will also need to enable Parameter 19. See *Parameters* for instructions.



Setting the sunbed address manually

Before connecting your sunbed to the T-Max® Manager or T-Max® 3W, the address of your sunbed must first be set. Set the "id" manually as described below.

1. With the bed sitting idle (power on but not tanning), press the STOP button and, without releasing it, press the START/TIME button (listen for the confirmation beep).
2. The display will change to "PRAM" for 2 seconds, then "P 1" for 2 seconds, then show the parameter value.
3. Use the + and/or - buttons to change this number to the desired address.
4. Press the STOP button to return to idle.

CAUTION

The remote connection is not designed to supply or accept high voltage, nor can it provide power to an external timer. The sunbed's remote interface circuitry operates on 5 volts, attempting to connect it to any higher voltages will damage the sunbed as well as void your warranty.

Operation

Before You Tan

Before using your sunbed, please note the following important precautions.

- Your skin should be free of cosmetics, oils, or other body lotions prior to tanning except for those specifically made for use with tanning devices. However, do not remove natural body oils by bathing or showering immediately before tanning.
- Your hair should be free of gels, mousses, sprays, or other hair products prior to tanning. These products can cause damage to the sunbed acrylic. As an alternative, a shower cap or towel can be worn to keep treated hair away from the sunbed surfaces.
- This unit intended for individual use. Only one pair of eyewear is included.

WARNING

Wear protective eyewear.

Failure to may result in severe burns or longterm injury to the eyes.

Exposure Times

Follow the guidelines for skin type and exposure times as shown in the table below. Untanned persons should not tan on consecutive days during their first week of tanning. Never tan more than once a day. Tanning normally appears after the first few sessions and maximizes after approximately four weeks. Tan once or twice per week thereafter to maintain appearance. Persons already having a base tan may begin at advanced levels corresponding to the extent of their base tan.



DANGER

Shock hazard.

Do not operate this device near water or while you are wet.

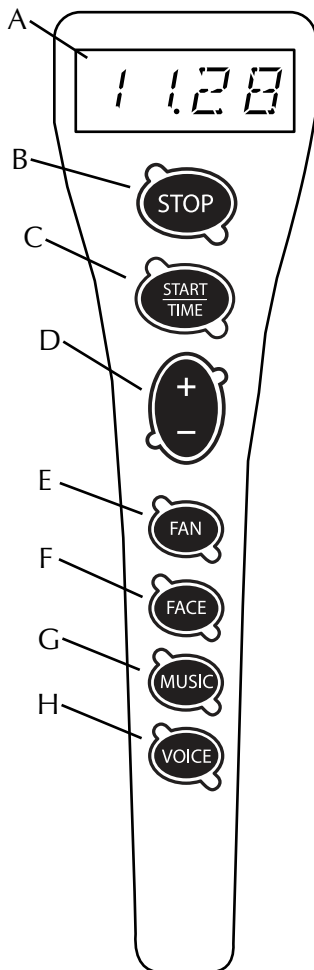
DANGER

Some medication may increase your sensitivity to ultraviolet light. It is recommended that you consult a physician before using this sunbed if taking any medication or if you suspect that your skin might be especially sensitive to sunlight.

| RECOMMENDED EXPOSURE TIMES IN MINUTES | | MAXIMUM EXPOSURE TIME IS 20 MINUTES | | | | |
|---------------------------------------|---|-------------------------------------|---------|---------|---------|---------|
| Skin Type: | | Level 1/Week 1 1st-3rd Sessions | Level 2 | Level 3 | Level 4 | Level 5 |
| I Sensitive Skin | (Burns easily and severely and does not tan.) | NOT RECOMMENDED FOR TANNING | | | | |
| II Light | (Burns easily and severely and tans minimally.) | 4 | 8 | 12 | 16 | 20 |
| III Normal | (Burns moderately and tans average.) | 6 | 10 | 15 | 20 | 20 |
| IV Dark | (Burns minimally, tans easily and above average.) | 8 | 12 | 16 | 20 | 20 |

The Keypad

Your sunbed has been designed with the user in mind. Every effort has been made to ensure easy operation.



A Display - Four digit alphanumeric display shows remaining time as well as bed operation

B STOP - Interrupts tanning session

C START/TIME - Begins tanning session. See more in "The Tanning Session"

D "Plus/Minus" - Controls bed functions, '+' for up or more and '-' for down or less. When bed is idle or during regular operation, these buttons control music volume (if equipped with audio option).

E FAN - Press to enter body fan control mode. Display changes to FAN and current fan speed. Use '+' to increase speed and '-' to decrease. Speeds offered are off, 1, 2 and 3.

F FACE - Press to enter face tanner control mode (if equipped). Display changes to FACE and then OFF or ON. Use '+' to turn face tanners on and '-' to turn off. **Note:** Face tanners need a minute to cool down before relighting. There may be a delay when turning face tanners back on during a session.

G MUSIC - (if equipped with audio option) Press to enter music control mode. Display will change to show current music option. Press repeatedly to change the music option.

H VOICE - Press to disable voice assist (if equipped). Press again to enable voice assist.

The Tanning Session

(Operation as a stand-alone unit or connected to a remote system using a control relay. If using T-Max® see right.)

1. Lift the canopy, lie down on the bench (face up), lower the canopy toward your body using the canopy handle. For best results, position the canopy as close to your body as possible.
2. Put on your safety goggles.
3. Press the START/TIME button (C) to begin the tanning session. The lamps will turn on and the timer will begin to count down from the maximum time. If a lesser time is preferred, repeatedly press the START/TIME button to decrease the time.
4. When the timer reaches "0" the lamps turn off. If you want to stop your session before time expires, press the STOP button (B). You will have ten seconds to restart with the remaining time, otherwise the timer will enter the cool-down mode.
5. Raise the canopy by using the canopy handle, do not push up on the acrylic. The cooling fans run for 5 minutes after the lamps shut off to aid in cooling the sunbed. During this time the display will repeatedly flash "COOL" and then the remaining cool-down time.
6. After cool-down the timer display returns to "0".

(Operation while connected to a T-Max® remote system. If using other remotes or no remote system, see left.)

1. Lift the canopy, lie down on the bench (face up), lower the canopy toward your body using the canopy handle. For best results, position the canopy as close to your body as possible.
2. Put on your safety goggles.
3. Assuming the remote system has been set to allow a pre-tanning delay time, the timer display (A) will repeatedly flash "DEL" and then the remaining delay time. Press the START/TIME button (C) or wait until the delay time has expired to begin the tanning session. The lamps will turn on and the timer will begin to count down.
4. When the timer reaches "0" the lamps turn off. If you want to stop your session before time expires, press the STOP button (B). The timer display will blink and continue to count down. Press the START/TIME button (C) to restart your session. Your session ends when the timer reaches 0.
5. Raise the canopy by using the canopy handle, do not push up on the acrylic. The cooling fans run for 5 minutes after the lamps shut off to aid in cooling the sunbed. The timer will indicate "DRTY" as a reminder to clean the sunbed. After the sunbed is cleaned press the START/TIME button and the display will return to "0".

Care and Maintenance

Cleaning After Use

Clean and disinfect your tanning bed's bench and canopy after each use. Use a non-abrasive disinfectant cleaner that does not contain ammonia or ammonia derivatives. Ammonia may damage the acrylic shield. Spray the acrylic lightly with disinfectant and wipe dry with a clean soft cloth. We recommend Australian Gold® pH Neutral Disinfectant Cleaner.

Thorough Periodic Cleaning

The cooling fans draw air through the bed and over time will cause a dust buildup on the lamps and reflectors. This will reduce the tanning effectiveness of the bed. When a dust buildup is observed, it is necessary to thoroughly clean the inside of the bench and canopy.

Cleaning the Canopy and Bench

1. Open the acrylics and remove lamps as described on the next page.
2. With a soft cloth, wipe the entire length of each lamp to remove any film buildup.
3. Clean both sides of the acrylics with a non-ammonia disinfectant cleaner.
4. Wipe the reflectors with a clean damp cloth.
5. Reinstall the lamps and acrylics.
6. Use a vacuum cleaner to clean all fan openings.

Mechanical Inspection

Your tanning bed has been built for years of service. To ensure trouble-free operation throughout its life, inspect the unit's mechanical integrity every 400-500 hours of use.

- Inspect the unit's fasteners verifying that all are firmly in place.
- Inspect the lift system for proper operation. The canopy should raise and lower with minimal effort using the canopy handle. Contact a servicer to adjust or replace if necessary.
- Inspect all wiring connections. Contact a servicer if any connections seem loose.
- Inspect the AC power cord and its connections.
- Inspect the acrylic. Broken, cracked or badly scratched acrylics should be immediately replaced.



Opening / Replacing Acrylics

The bench acrylic is secured in place by 2 screws at the front corners. Use a Phillips screwdriver to remove the screws. The acrylic will lift up in front. On the inside of the bench, along the front, are two supports for the bench acrylic. Swing them up to hold the bench acrylic open.

To remove the bench acrylic, simply pull it out of the channel at the back.

The canopy acrylic is secured by 5 screws along the front edge of the canopy. Use a Phillips screwdriver to unscrew all 5 screws and the aluminum channel will swing down to release the acrylic. The screws will remain captive in the channel. Swing the channel open fully and the front edge of the canopy acrylic will drop down.

To remove the canopy acrylic, disconnect the exciters and lift it out of the channel along the back edge.

When you are finished, reverse the above directions to secure the acrylic shields.

Acrylics vary greatly over time in their ability to effectively transmit UV light. Acrylics sold by ETS have been life tested to ensure proper transmission throughout their useful life.

Replace any acrylic that appears damaged. This includes deep scratches, many small scratches, gouges and cracks.

Removing / Replacing Fluorescent Lamps

After opening the acrylics, replace lamps as follows.

1. Grasp the lamp at one end and at the middle and turn the lamp one quarter turn. Gently remove the lamp from its holders.
2. Reinstall the lamp by inserting the pins located on the ends of the lamp into the slots on top of the lamp holders and turn the lamp a quarter turn. It should click in place.

Replacement Lamps

To be assured of maximum tanning effectiveness, change lamps after approximately 500-700 hours of use. Lamps used longer than that begin to lose their tanning effectiveness even though they continue to light.

We recommend using the lamps specified below. Use of uncertified lamps is a violation of Federal regulations and will void your warranty.

The following lamps have been certified for use in your tanning bed:

**ETS ELITE Select Model F71-T12-100W BP
Heraeus OH C 400 EF**
(facial unit , if equipped)



Removing/Replacing Face Tanner Lamp (if equipped)

After opening the canopy acrylic, replace the face tanner lamp as follows:

1. The face tanner glass is held in place by two metal brackets. Support the face tanner glass with your hand while unscrewing the two screws on one of the brackets. The face tanner glass will slip out of the other bracket.
2. The lamp can now be exchanged. Simply pull the face tanner lamp toward you to remove it from the socket. Install the new lamp, using a clean cloth or paper towel, by inserting it into the lamp socket. Ensure that the lamp is firmly seated in the lamp socket.

Note! Never take hold of the lamp such that your fingers are in contact with the lamp glass. Finger oils will greatly reduce the lamp's operational life.

3. Slide the face tanner glass into the bracket attached to the bed and lock it in place with the other bracket and two screws.

DANGER

Unfiltered light from face tanner can cause severe burns.

Never turn sunbed on while face tanner is disassembled or when glass filters are removed.

Immediately discontinue use of this equipment if face tanner glass is broken or any unfiltered light can be seen escaping face tanner assembly.

| ISSUE | RESOLUTION |
|---|--|
| Sunbed not tanning | <ol style="list-style-type: none"> 1. Clean sunbed, see Thorough Periodic Cleaning. 2. Ensure supply voltage is between 200 and 245V AC. 3. Replace lamps if lamp hours are greater than 800hrs. 4. Replace acrylic. |
| Lamps fail to light and timer display is blank | <ol style="list-style-type: none"> 1. Make sure the unit is connected to a power source. 2. Check source of AC power. Reset circuit breaker or replace fuse. |
| One or more lamps fail to light | <ol style="list-style-type: none"> 1. Check that lamp is installed correctly. 2. Switch unlit lamp with a lamp that lights, if new lamp lights and old lamp still does not, replace old lamp. |
| The face tanners will not come on | <ol style="list-style-type: none"> 1. Face tanners will not relight for 1 minute if turned off. 2. Replace face tanner lamp, see Removing/Replacing Face Tanner Lamp. |
| I forgot what address, or "id", I set my sunbed to | Press and hold the STOP button until the display shows the ID. See <i>Parameters</i> for instructions to change the ID if necessary. |
| Timer display is indicating E 8 | Current sensor with the black wires running through it has detected that the bed is on when it should be off. |
| Timer display is indicating E 9 | Current sensor with the Red wires running through it has detected that the bed is on when it should be off. |
| Timer display is indicating E 10 | Bed is off when it should be on. |
| Timer display changes to indicate a tanning time after the timer button is pressed but lamps do not come on | <ol style="list-style-type: none"> 1. If remote is being used, other than T-Max® Manager, the external timer may not be activated. 2. Remote wiring is incorrect, see the instructions provided with the remote interface kit. |
| Timer display continues to show a 0 after the timer button is pressed | <ol style="list-style-type: none"> 1. T-Max® Manager remote system has not yet been set. 2. Sunbed address is not set correctly, see Remote Connections. |

| ISSUE | RESOLUTION |
|---|--|
| My bed is connected to a T-Max® remote system but I am having trouble getting into “parameter” mode | You have probably attempted to connect your sunbed to the remote system already. Disconnect the remote plug(s) from the ports at the back of the sunbed, wait 90 seconds and try again. |
| <p>My bed, connected to a T-Max® Manager, did not display “dL” but does indicate: “0”</p> <p>a tanning time and the lamps have come on</p> <p>a tanning time but the lamps have not come on</p> | <ol style="list-style-type: none"> 1. Remote device has not been set. 2. The sunbed has not been connected to the remote system, see Remote Connections. <ol style="list-style-type: none"> 1. Delay time of T-Max® Manager has not been set. 2. Delay time has expired and session has begun. <p>Auto start function of T-Max® Manager has been turned off. Press the START/TIME button to turn on lamps.</p> |
| When auto-addressing the first bed does not register an “id” | When using the auto address feature of the T-Max® Manager you must wait 10 seconds from the time you start the auto address function before addressing the first bed. |
| My salon suffers frequent, short power outages and clients complain about losing session time | If you have a T-Max® Manager, changing parameter 23 from “0” to “1” will allow the tanning bed to remember how much time was left when power goes out and resume its session after power is restored. See <i>Parameters</i> . |

Updating Timer Software

Hanging on the foot end of the bed (next to the body fan) is a cable with a USB flash drive. This flash drive contains a single file which is the timer software. During normal use the flash drive may be removed as it does not interface with the timer. However, if ETS releases a new software update, you can easily update the timer.

Be sure to keep the flash drive with the bed. It contains one file and must not be used for any other purposes. Updates will be emailed to you to copy onto this drive from any computer, but it must be the only file on the drive to work properly.

Updating the timer software:

1. With the bed idle (display showing "0"), press and hold the STOP button until the display changes from "0" to "Id".
2. Within 5 seconds, press the FAN button and the display will show "PGM?" indicating it is ready to program the timer.
3. Press the START/TIME button to begin programming the bed. The display will show "WAIT".
4. After the update is complete, the timer will reset and the bed will be ready to go once the timer display reads "0".

In the event you receive an email containing an update file, the email will contain full instructions on this procedure as well as the verification process to make sure the update was successful.

Parameters

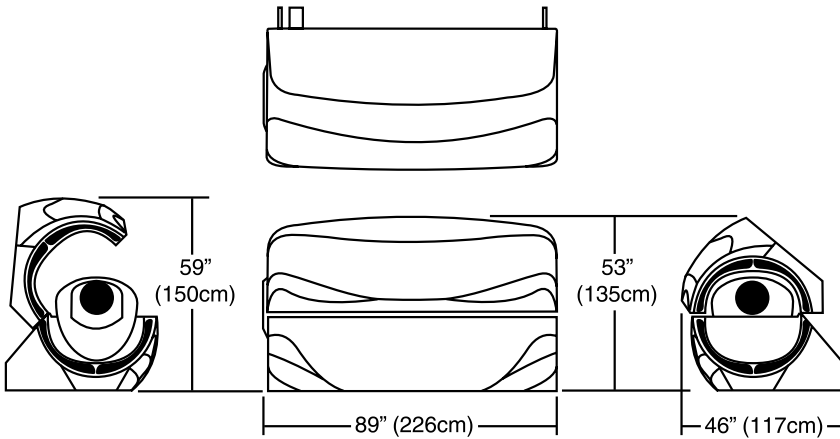
Parameters are settings within the timer software which allow changes to the way the tanning bed operates. Your tanning bed must be disconnected from any external timers to access these parameters from the timer display handle.

1. With the bed idle (display showing "0"), press the STOP button and, without releasing it, press the START/TIME button. The display will change to "PRAM" briefly, then "P 1" to signify parameter 1, then the parameter value.
2. Use the '+' and/or '-' buttons to change the parameter value.
3. Press the START/TIME button to advance to the next parameter.
4. Press STOP to return to idle.

The next page shows the parameters that can be changed by the salon owner. Refrain from changing any parameters not listed as bed function may be adversely affected.

To reset the bed to factory defaults, set the Bed Address (P 1) to 255, exit parameter mode and cycle power to the bed.

| Parameter | Function | Default |
|-----------|---|---------|
| P 1 | Bed Address (1-99) [Set to 255 to restore factory defaults of all parameters] | 1 |
| P 5 | Session Count (adjustable) | |
| P 6 | Lamp Hours (adjustable) | |
| P 7 | Bed Hours | |
| P 8 | Manual Sessions (counts sessions in "stand-alone" mode) | |
| P 9 | Clean Bed Indicator - 0 = off, 1 = on | 1 |
| P 10 | Manual Lockout (disable stand-alone mode) - 0 = off, 1 = on | 0 |
| P 13 | After Session Cool-down (minutes) - 3 minimum - 10 maximum | 5 |
| P 15 | Master Session Count (not adjustable) | |
| P 16 | Max. Volume - 0 min. - 9 max. | 9 |
| P 17 | Allow User to Decrease Time - 0 = off, 1 = on | 0 |
| P 18 | Default Volume (during idle) - 0 min. - 5 max. | 1 |
| P 19 | Enable Remote Function with Control Relay - 0 = off, 1 = on | 0 |
| P 21 | Pause Countdown - 0 = off, 1 = on | 0 |
| P 23 | Auto Restart (session resumes after momentary power outage) - 0=off, 1=on | 0 |
| P 30 | Audio Source at Idle (0=SALN, 1=MP3A, 2=ZEN, 3=FM, 5=MP3B, 6=DMX) | 2 |
| P 31 | Enable SALN (speaker level input on back of bed) - 0 = off, 1 = on | 1 |
| P 32 | Enable MP3A (user input) - 0 = off, 1 = on | 1 |
| P 33 | Enable ZEN (soft music) - 0 = off, 1 = on | 1 |
| P 34 | Enable FM - 0 = off, 1 = on | 1 |
| P 36 | Enable MP3B (on Python if equipped) - 0 = off, 1 = on | 1 |
| P 37 | Enable DMX Input - 0 = off, 1 = on | 1 |
| P 38 | LED Mode - 0=off, 1=fade1, 2=fade2, 3=fade3, 4=blue, 5=red, 6=green | 1 |
| P 40 | Default Session Volume (during session) - 1 min. - 9 max. | 5 |
| P 52 | End of Session Beep - 0 = off, 1 = on | 1 |
| P 81 | FM Preset 1 (example - set to 923 for radio station FM 92.3) | 881 |
| P 82 | FM Preset 2 (example - set to 923 for radio station FM 92.3) | 881 |
| P 83 | FM Preset 3 (example - set to 923 for radio station FM 92.3) | 881 |
| P 84 | FM Preset 4 (example - set to 923 for radio station FM 92.3) | 881 |
| P 85 | FM Preset 5 (example - set to 923 for radio station FM 92.3) | 881 |



Weight (approximate) 811lbs (369kg)
 Room Size 9' (2.7m) x 7' (2.4m)
 Voltage 230 VAC
 Amperage (**no-face**) 1P - 15A
 3P - 9A
 Circuit Breaker (recommended min.) ... 1P - 30A
 3P - 20A
 Amperage (**3-face**) 1P - 20A
 3P - 12A
 Circuit Breaker (recommended min.) ... 1P - 30A
 3P - 20A
 Outlet Hardwire only

Main Lamps 34 x 100W
 Face Tanner Lamps (if equipped) 3 x 400W
 Body Cooling 1100cfm Foot Fan
 Main Timer System Digital
 Back-up Timer Secondary Solid-state
 Max. Exposure Time 20 minutes
 Remote Capability T-Max® Wireless Ready



ets tan
 your partner in tanning™
 a division of JK Products & Services

Proudly manufactured
 in the U.S.A.

1•800•449•3605

1 Walter Kratz Drive, Jonesboro, AR 72401